



US00D965022S

(12) **United States Design Patent** (10) **Patent No.:** **US D965,022 S**  
**Bong** (45) **Date of Patent:** **\*\* Sep. 27, 2022**

(54) **ELECTRONIC DEVICE WITH TRANSITIONAL GRAPHICAL USER INTERFACE**

(71) Applicant: **SAMSUNG ELECTRONICS CO., LTD.**, Suwon-si (KR)

(72) Inventor: **Jaemin Bong**, Suwon-si (KR)

(73) Assignee: **SAMSUNG ELECTRONICS CO., LTD.**, Gyeonggi-Do (KR)

(\*\*) Term: **15 Years**

(21) Appl. No.: **29/762,939**

(22) Filed: **Dec. 18, 2020**

(30) **Foreign Application Priority Data**

Jul. 24, 2020 (KR) ..... 30-2020-0034431

(51) **LOC (13) Cl.** ..... **14-04**

(52) **U.S. Cl.**  
USPC ..... **D14/486; D14/488**

(58) **Field of Classification Search**  
USPC ..... **D14/485-495**

(Continued)

(56) **References Cited**

**U.S. PATENT DOCUMENTS**

D651,608 S \* 1/2012 Allen ..... D14/485  
D714,822 S \* 10/2014 Capua ..... D14/488

(Continued)

**OTHER PUBLICATIONS**

Lee, Phillip, The future of foldable phones, Apr. 15, 2020, dribbble.com, retrieved Jun. 7, 2022, available at <https://dribbble.com/shots/11067622-The-Future-of-Foldable-Phones> (Year: 2020).\*

*Primary Examiner* — Katherine A Holbrow  
(74) *Attorney, Agent, or Firm* — Cantor Colburn LLP

(57) **CLAIM**

The ornamental design for an electronic device with transitional graphical user interface, as shown and described.

**DESCRIPTION**

FIG. 1 is a front view of a first embodiment of an electronic device with transitional graphical user interface showing a first image in a sequence, showing our new design in a state that the electronic device is unfolded;

FIG. 2 is a front view showing a second image thereof, shown in a state that the electronic device is partially folded;

FIG. 3 is a perspective view of FIG. 1;

FIG. 4 is a perspective view of FIG. 2;

FIG. 5 is a right side view of FIG. 1;

FIG. 6 is a right side view of FIG. 2;

FIG. 7 is a front view of a second embodiment of an electronic device with transitional graphical user interface showing a first image in a sequence, showing our new design in a state that the electronic device is unfolded;

FIG. 8 is a front view showing a second image in a sequence thereof, shown in a state that the electronic device is partially folded;

FIG. 9 is a perspective view of FIG. 7;

FIG. 10 is a perspective view of FIG. 8;

FIG. 11 is a right side view of FIG. 7; and,

FIG. 12 is a right side view of FIG. 8.

The appearance of the transitional graphical user interface sequentially transitions between the images shown in FIGS. 1-2 and FIGS. 7-8, respectively. The process or period in which one image transitions to another forms no part of the claimed design.

The outermost broken lines illustrating portions of an electronic device form no part of the claimed design. The remainder of the broken lines illustrating portions of the graphical user interface forms no part of the claimed design.

**1 Claim, 12 Drawing Sheets**

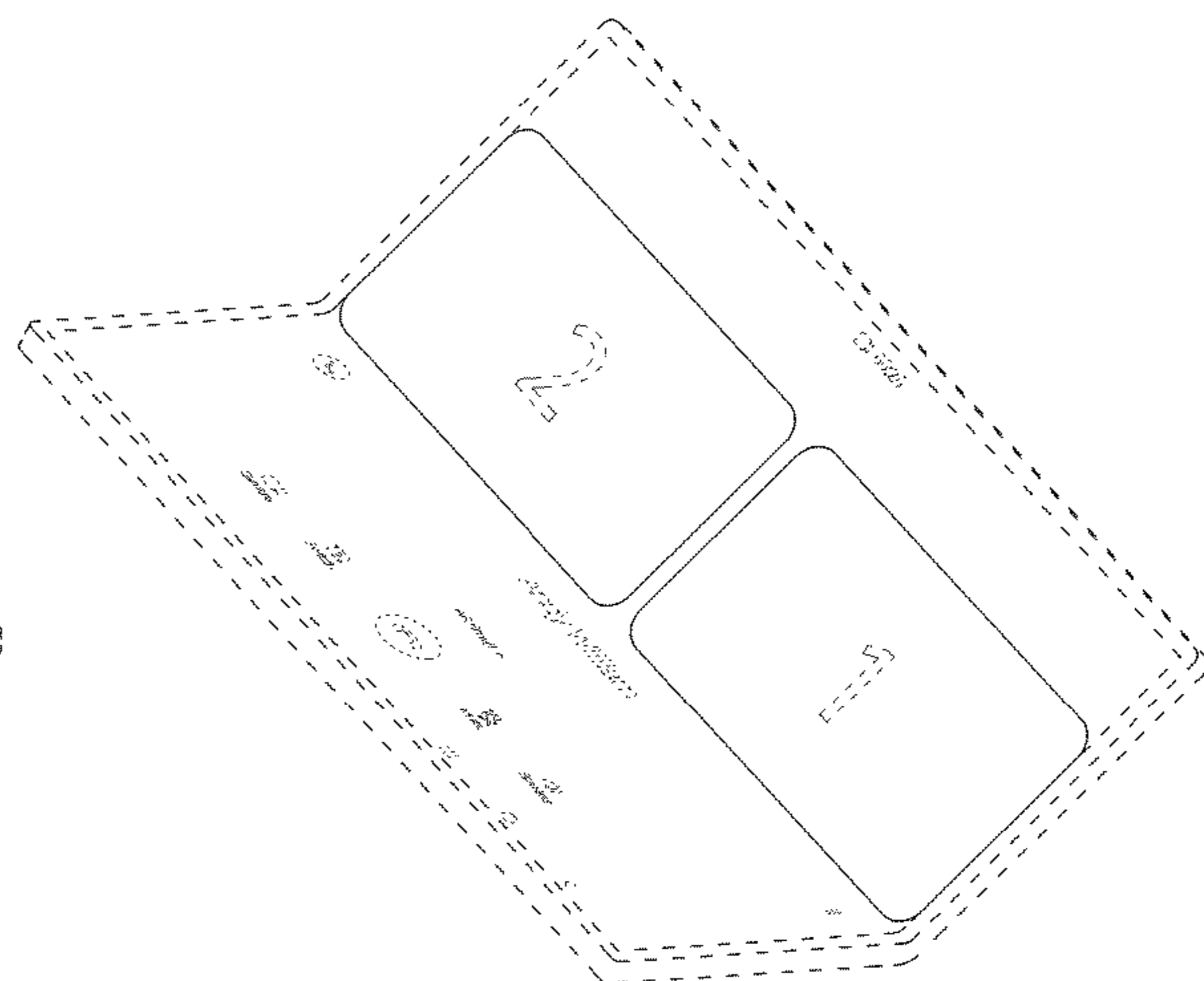
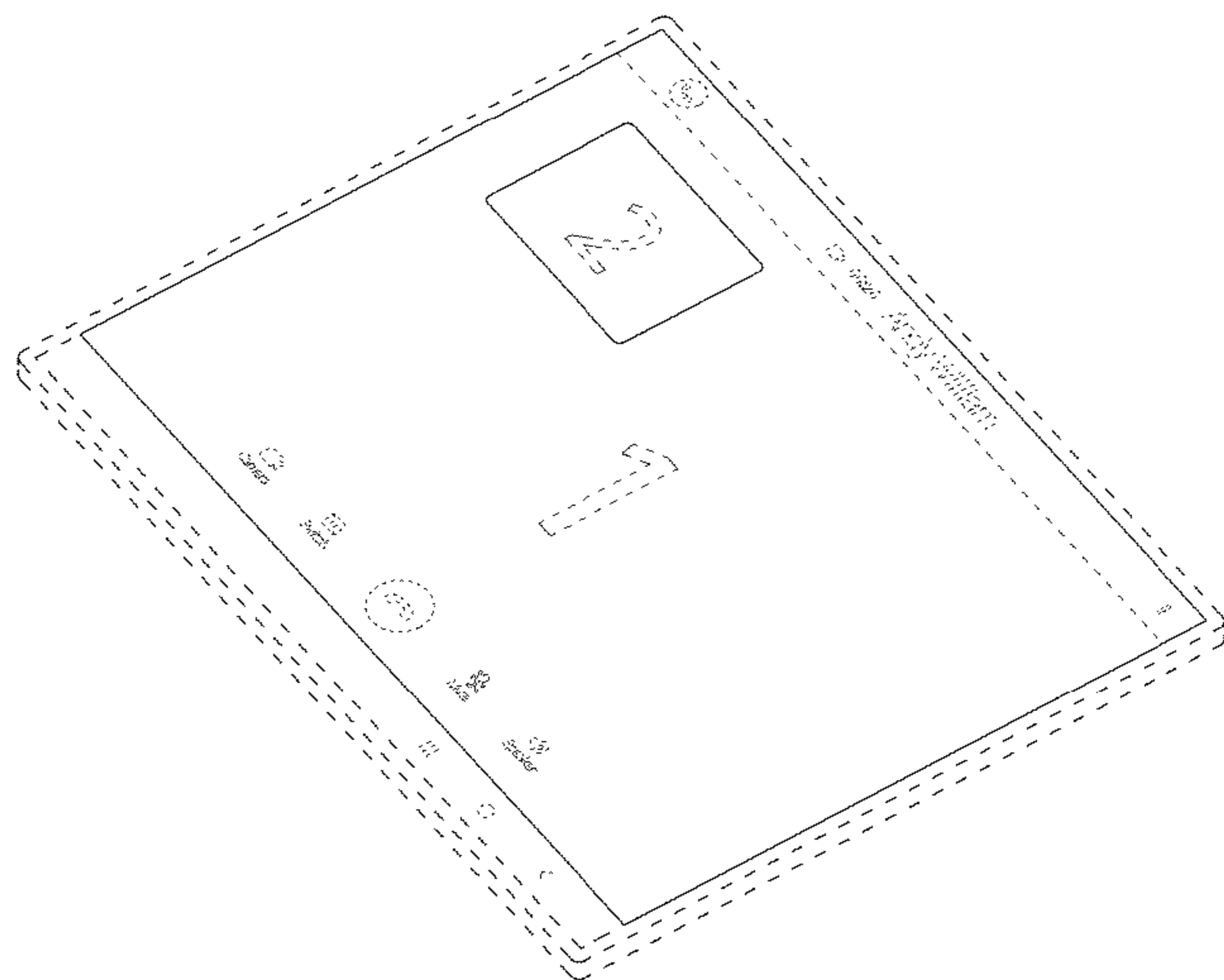




FIG. 1

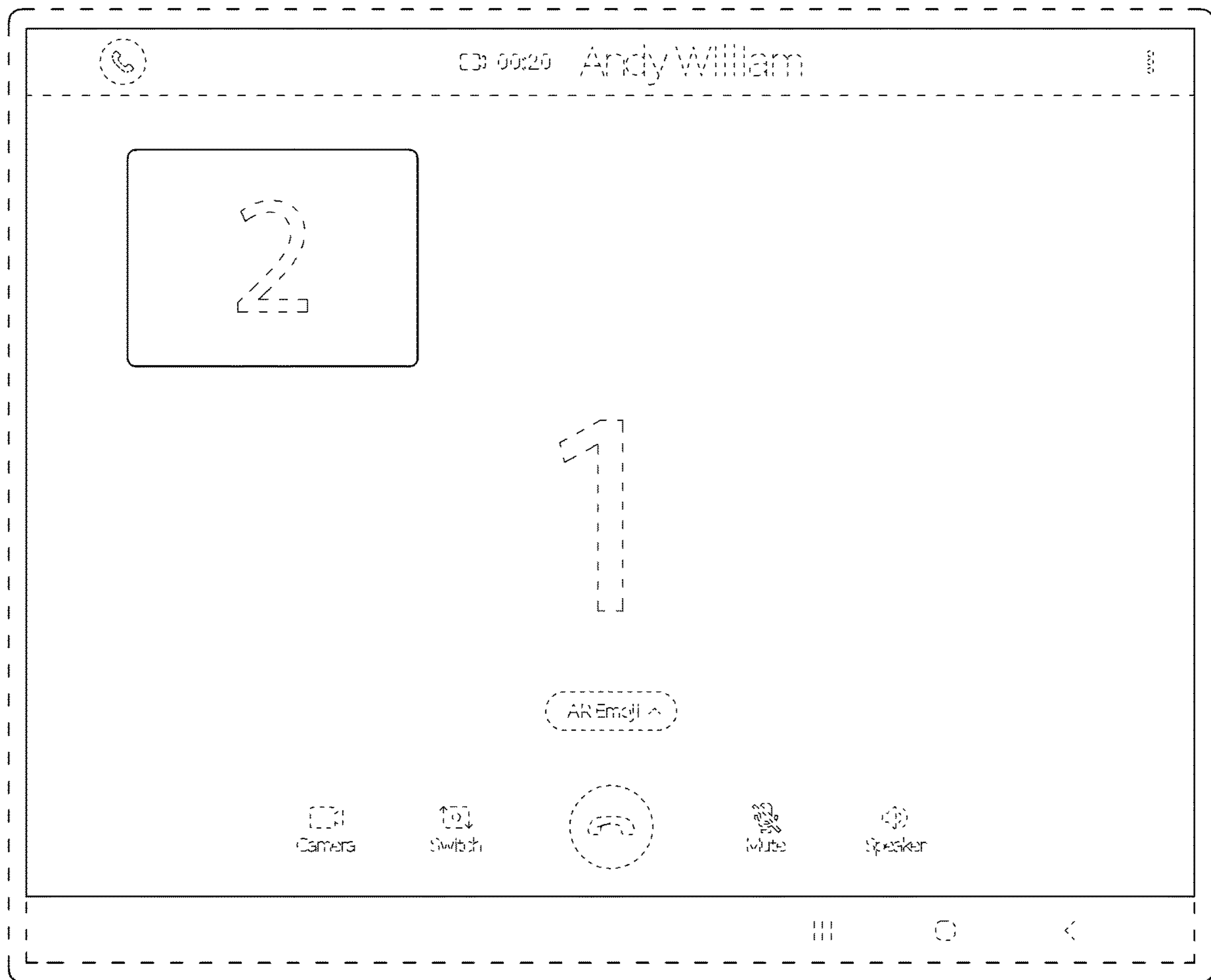


FIG. 2

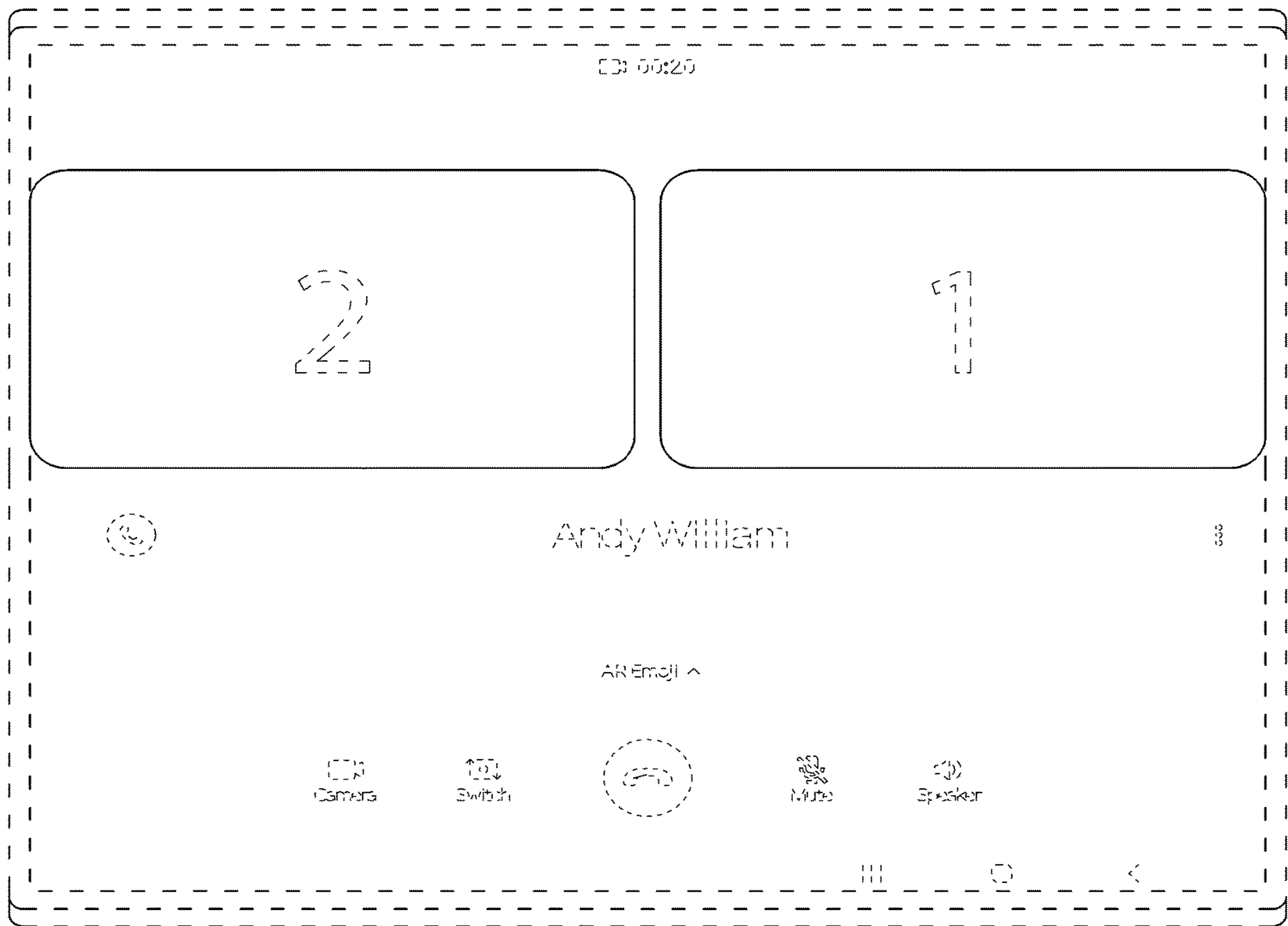


FIG. 3

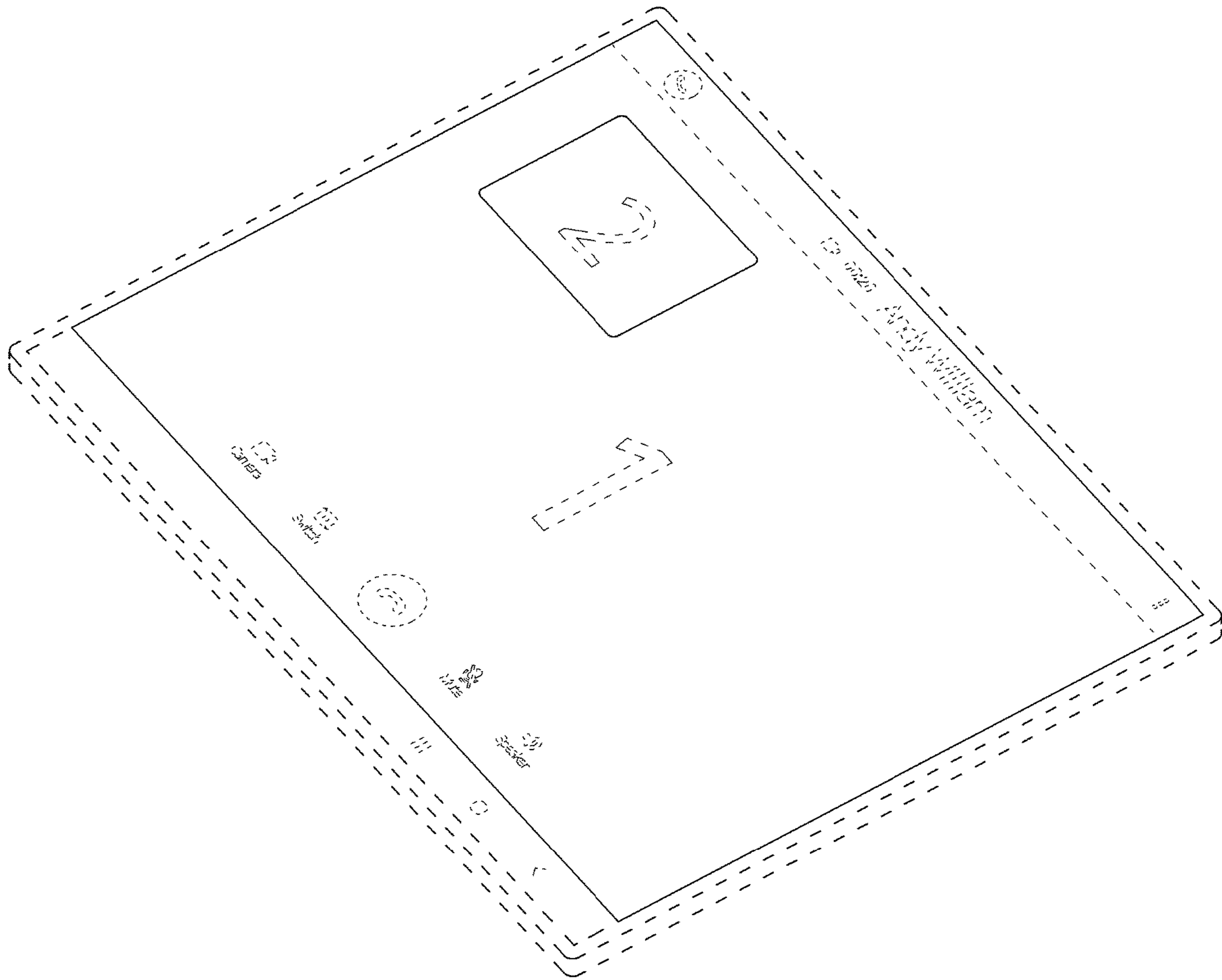




FIG. 4

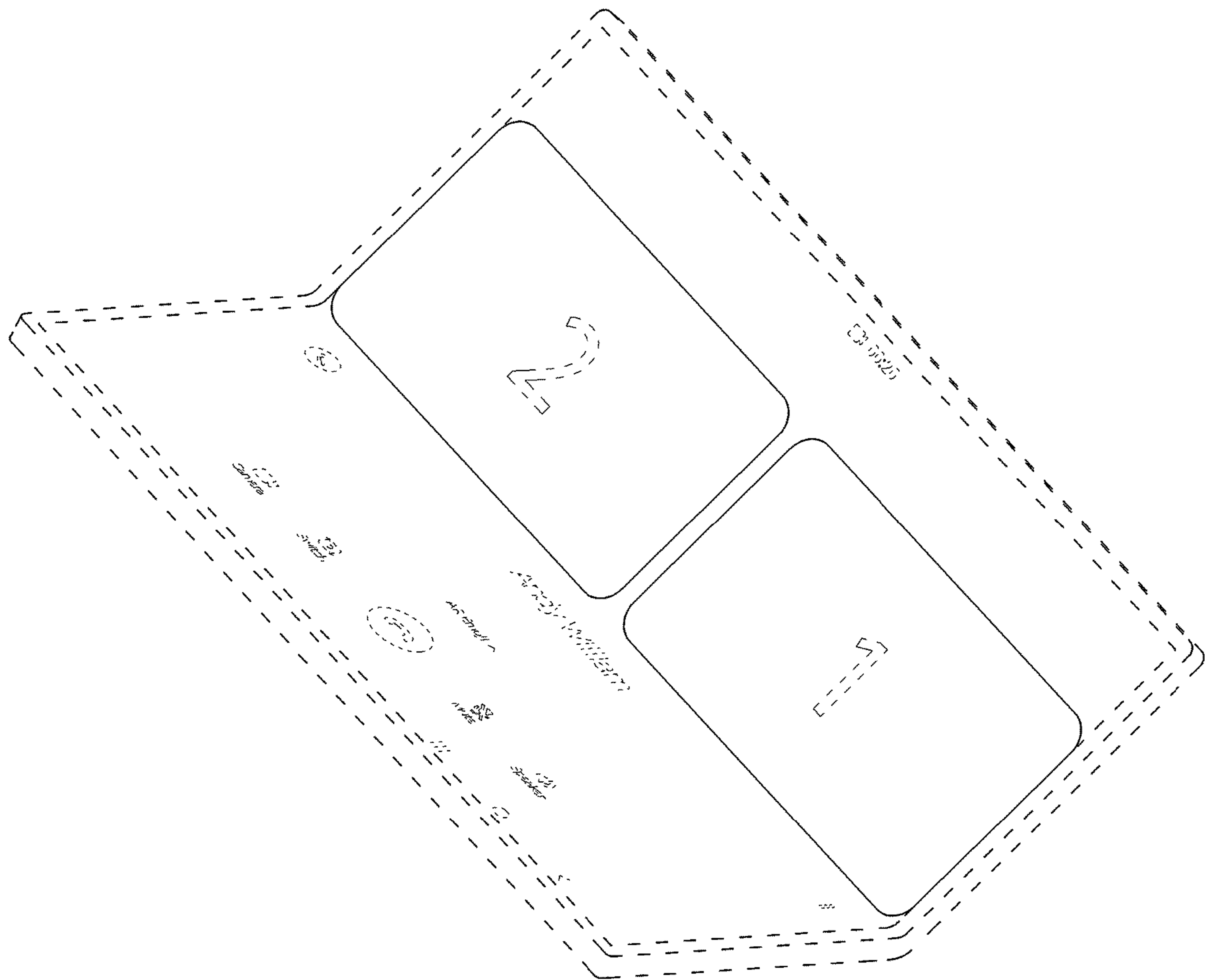


FIG. 5

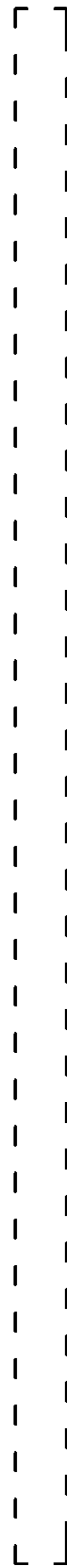


FIG. 6

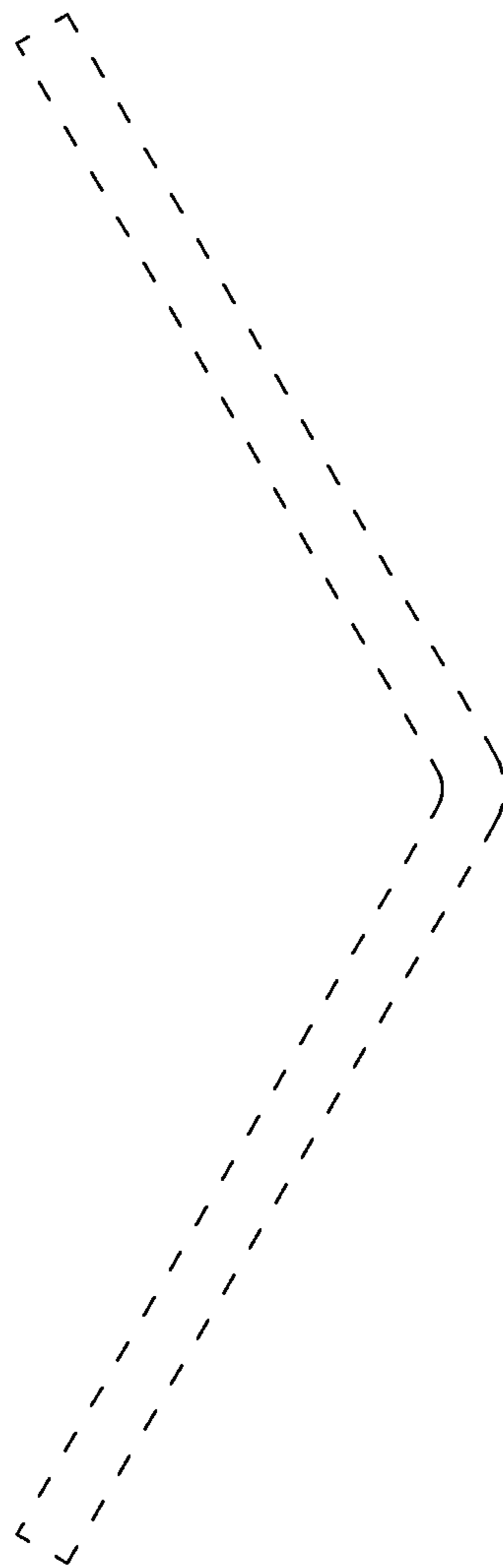




FIG. 7

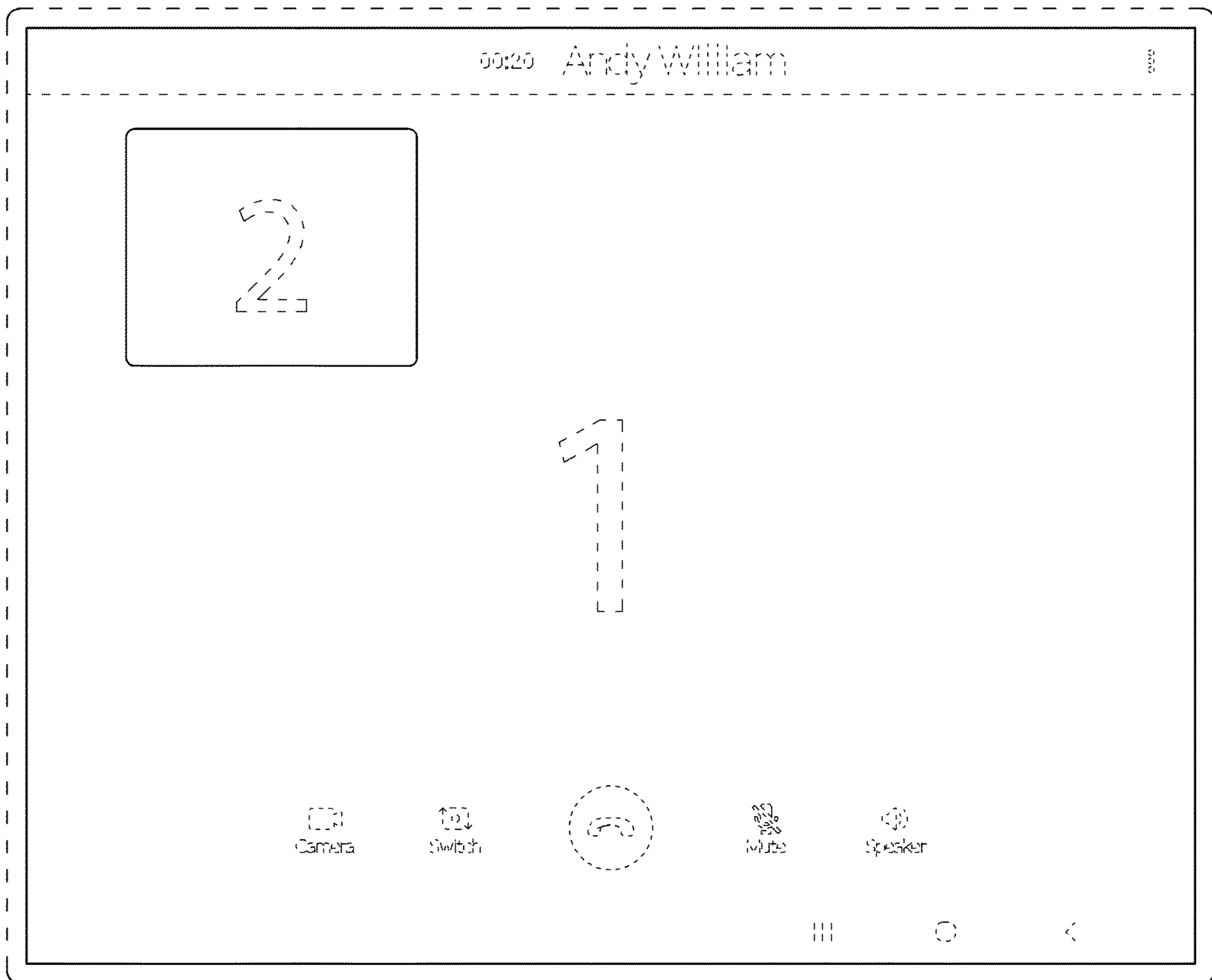


FIG. 8

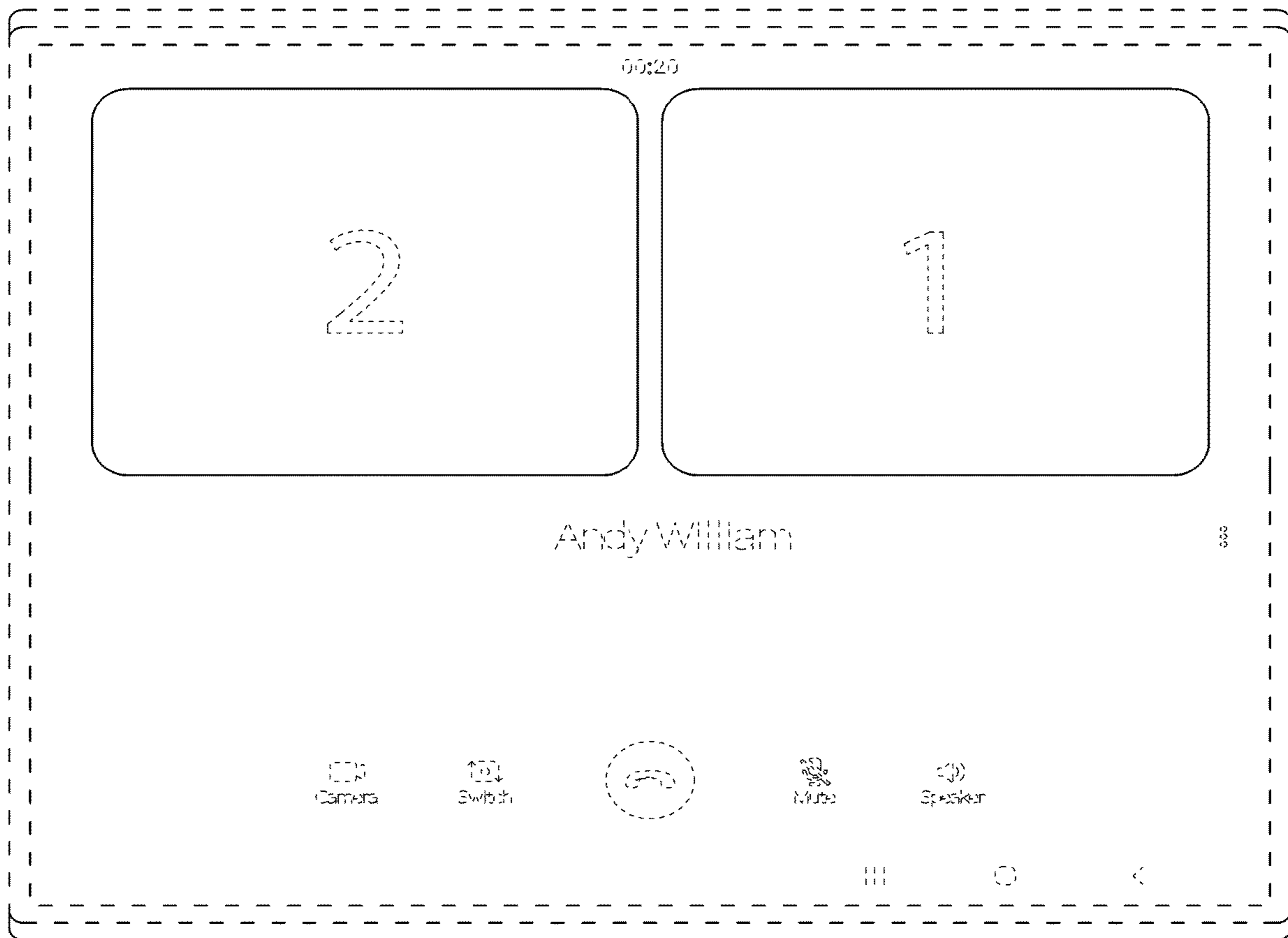


FIG. 9

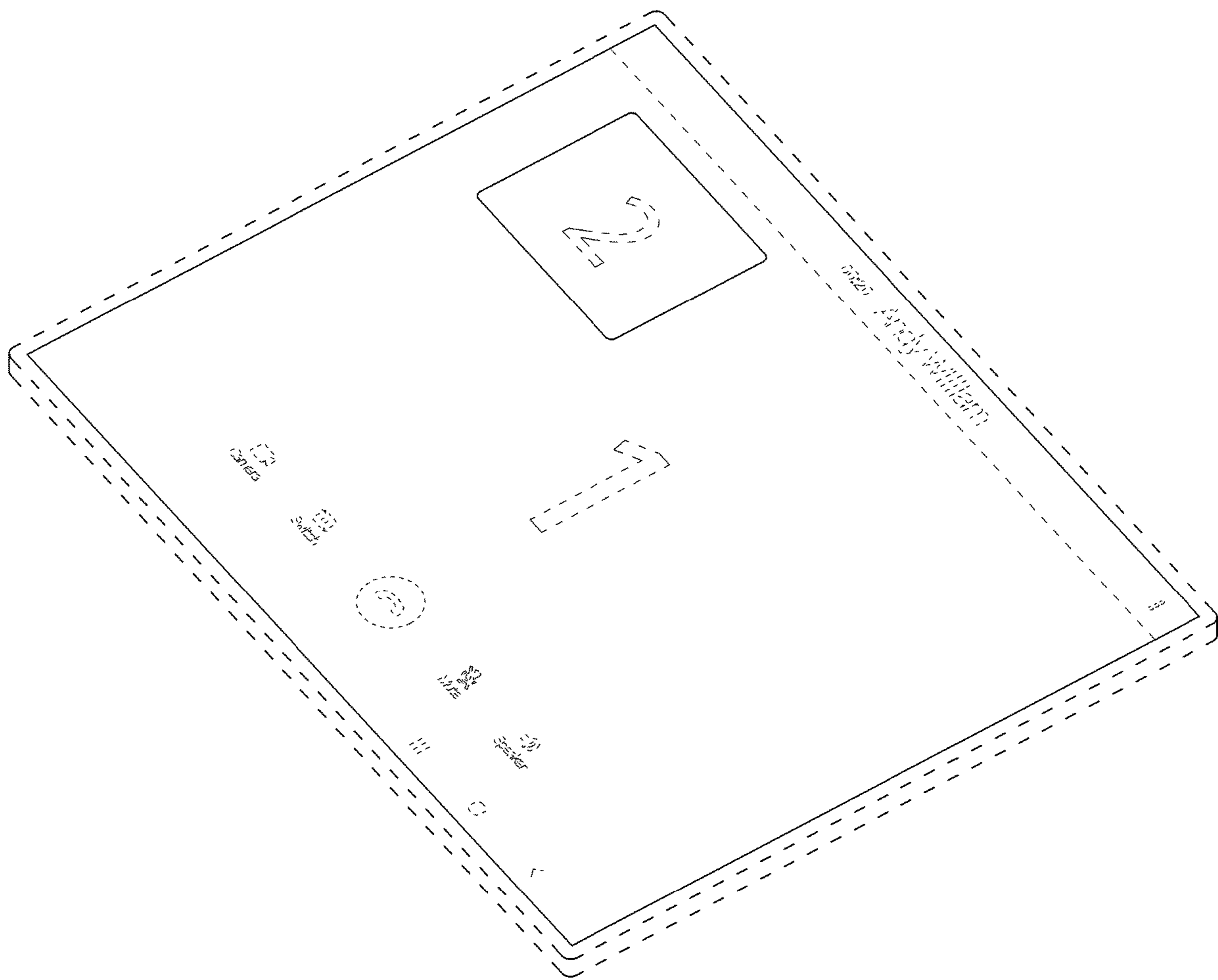


FIG. 10

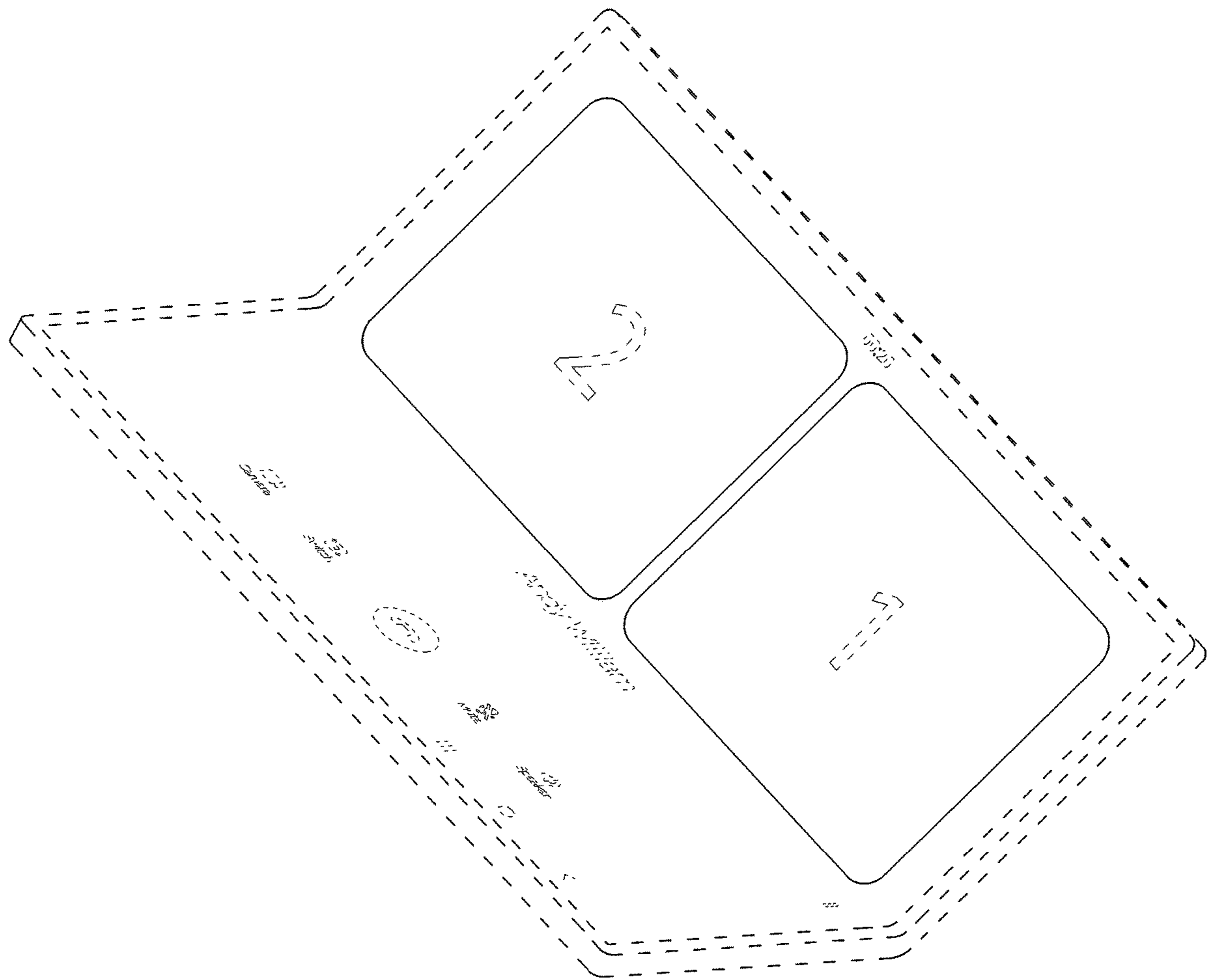


FIG. 11

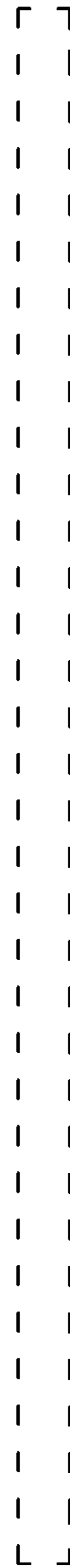


FIG. 12

