



US00D965008S

(12) **United States Design Patent** (10) **Patent No.:** **US D965,008 S**
Oshima et al. (45) **Date of Patent:** **** Sep. 27, 2022**

(54) **DISPLAY SCREEN OR PORTION THEREOF WITH GRAPHICAL USER INTERFACE**

H04N 21/47; H04N 21/478; H04N 21/482; H04N 21/4884; H04N 21/4888; H04N 21/4856; H04N 21/485; H04N 21/6547

(71) Applicant: **Audio-Technica Corporation**, Tokyo (JP)

See application file for complete search history.

(72) Inventors: **Katsuyuki Oshima**, Tokyo (JP); **Eisuke Shiga**, Tokyo (JP); **Ryosuke Shimizu**, Tokyo (JP)

(56) **References Cited**

U.S. PATENT DOCUMENTS

(73) Assignee: **Audio-Technica Corporation**, Tokyo (JP)

D719,180 S * 12/2014 Liang D14/486
D734,353 S * 7/2015 Soojun D14/486
9,335,887 B2 * 5/2016 Kwak G06F 1/1618
D759,061 S * 6/2016 Sahoo D14/485

(**) Term: **15 Years**

(Continued)

(21) Appl. No.: **29/770,896**

OTHER PUBLICATIONS

(22) Filed: **Feb. 17, 2021**

“Audio Solutions Question of the Week: What Are the New A-T Connect App Features for the ATH-M50xBT2?” audio-technica.com. Available Sep. 9, 2021. Retrieved May 11, 2022 online via Internet Archive Wayback Machine at URL: <https://web.archive.org/web/20210909232716/https://www.audio-technica.com/en-us/support/audio-solutions-question-of-the-week-what-are-the-new-a-t-connect-app-features-for-the-ath-m50xbt2/> (Year: 2021).*

(30) **Foreign Application Priority Data**

Aug. 27, 2020 (JP) 2020-018072

(51) **LOC (13) Cl.** **14-04**

(52) **U.S. Cl.**
USPC **D14/485**

(58) **Field of Classification Search**
USPC D14/485-495

CPC G06F 3/048; G06F 3/0481; G06F 3/04812; G06F 3/04815; G06F 3/04817; G06F 3/0482; G06F 3/0483; G06F 3/0484; G06F 3/04842; G06F 3/04845; G06F 3/04847; G06F 3/0485; G06F 3/04855; G06F 3/0486; G06F 3/04886; G06Q 30/00; G06Q 30/02; G06Q 30/0237; G06Q 30/0238; G06Q 30/0239; H03J 1/00; H03J 1/0008; H03J 1/0016; H03J 1/0025; H04N 5/00; H04N 5/08; H04N 5/14; H04N 5/222; H04N 5/225; H04N 5/232; H04N 5/23222; H04N 5/23293; H04N 5/232933; H04N 5/232935; H04N 5/445; H04N 5/44504; H04N 5/45; H04N 21/00; H04N 21/234; H04N 21/431; H04N 21/4312; H04N 21/4314; H04N 21/4316; H04N 21/4532; H04N 21/4622;

Primary Examiner — Christian P. McLean
(74) *Attorney, Agent, or Firm* — WC&F IP

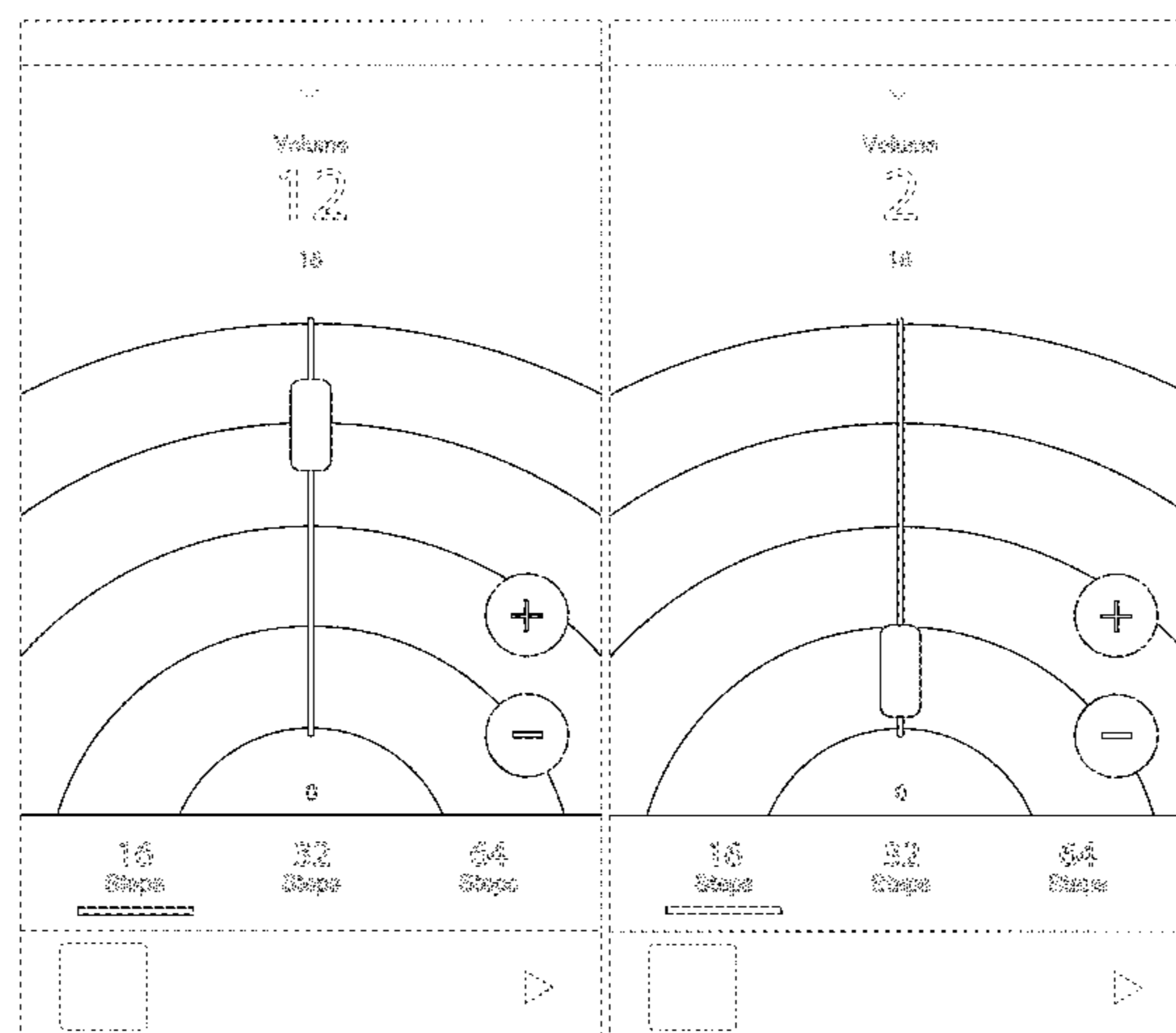
(57) **CLAIM**

The ornamental design for a display screen or portion thereof with graphical user interface, as shown and described.

DESCRIPTION

FIG. 1 is a front view of a display screen or portion thereof with graphical user interface, showing our new design; FIG. 2 is another embodiment thereof; and, FIG. 3 is a front view of an electronic device having the display screen of FIG. 1.

(Continued)



The broken line showing of a display screen, electronic device, and portions of a graphical user interface form no part of the claimed design.

1 Claim, 3 Drawing Sheets

(56)

References Cited

U.S. PATENT DOCUMENTS

D765,115 S * 8/2016 Pierson D14/486
D766,289 S * 9/2016 Bauer D14/486
D766,945 S * 9/2016 Um D14/486
D766,951 S * 9/2016 Wang D14/486
D768,148 S * 10/2016 Jung D14/485
D768,185 S * 10/2016 Lee D14/487
D768,652 S * 10/2016 Yang D14/485
D769,885 S * 10/2016 Zhu D14/485
D779,516 S * 2/2017 Pierson D14/486
D781,316 S * 3/2017 Kim D14/486
D786,297 S * 5/2017 Lim D14/487
D799,498 S * 10/2017 Graham D14/485
D800,751 S * 10/2017 Hersh D14/486

D800,752 S * 10/2017 Hersh D14/486
D800,753 S * 10/2017 Hersh D14/486
D812,079 S * 3/2018 Felt D14/486
D852,821 S * 7/2019 Anderson D14/485
D854,551 S * 7/2019 Pistiner D14/485
10,503,363 B2 * 12/2019 Wajda G06F 3/04842
D895,649 S * 9/2020 Jetly D14/487
D896,827 S * 9/2020 Boutoussov D14/486
D910,031 S * 2/2021 Guzman D14/485
D911,354 S * 2/2021 Plaisance D14/485
D913,312 S * 3/2021 Mariani D14/487
D914,732 S * 3/2021 Fischbach D14/487
D914,733 S * 3/2021 Fischbach D14/487
D918,942 S * 5/2021 Tsai D14/485
D921,655 S * 6/2021 Giffels D14/485
D923,038 S * 6/2021 Boutoussov D14/486
D930,015 S * 9/2021 Park D14/485
D932,503 S * 10/2021 Plaisance D14/485
D938,491 S * 12/2021 Dai D14/492
D941,352 S * 1/2022 Miura D14/488
D946,011 S * 3/2022 Yoon D14/485
D946,612 S * 3/2022 Jager D14/487
D948,531 S * 4/2022 Rivers D14/485
D949,879 S * 4/2022 Bello D14/485
D950,582 S * 5/2022 Chang D14/491

* cited by examiner

FIG. 1

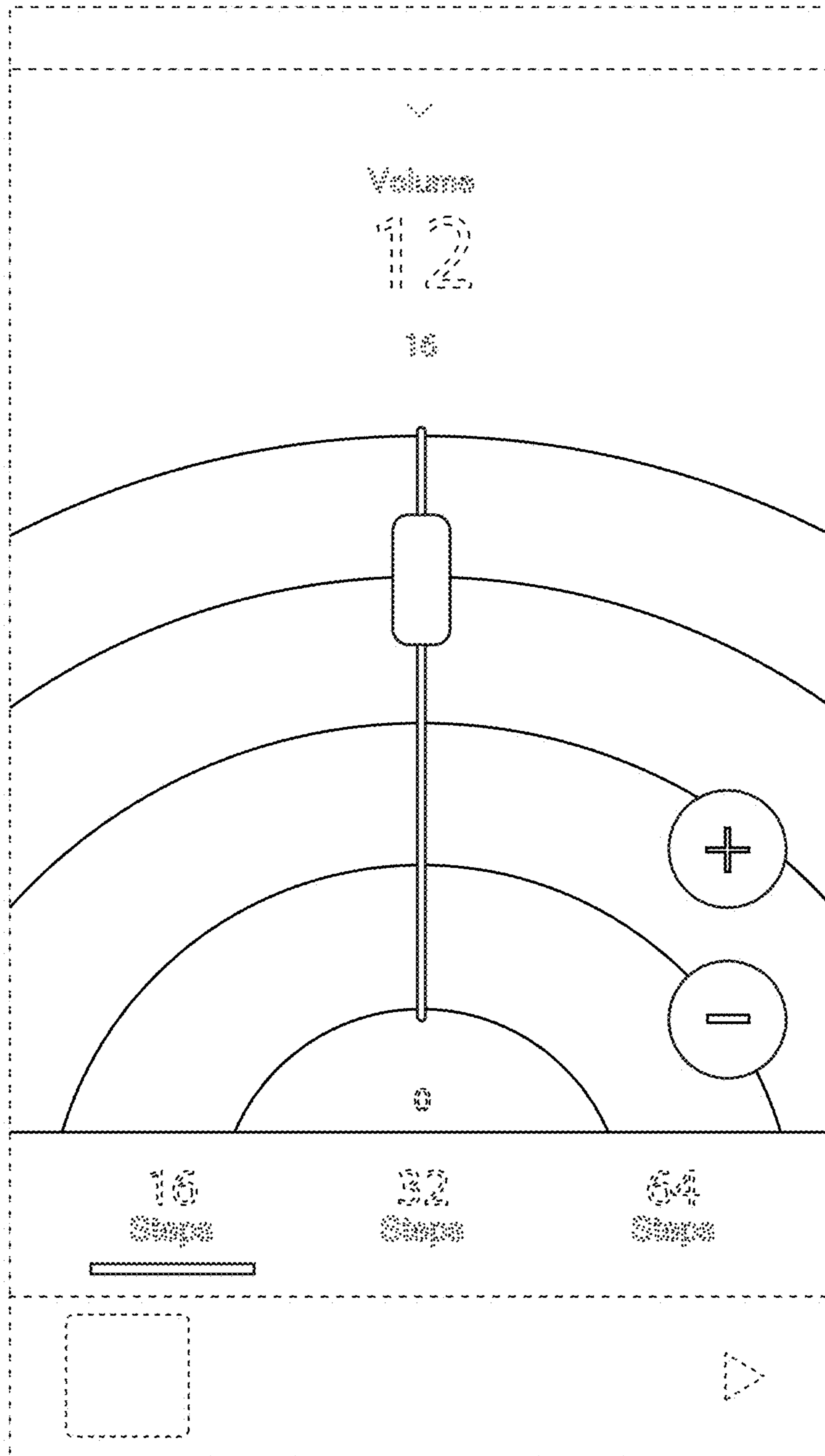


FIG. 2

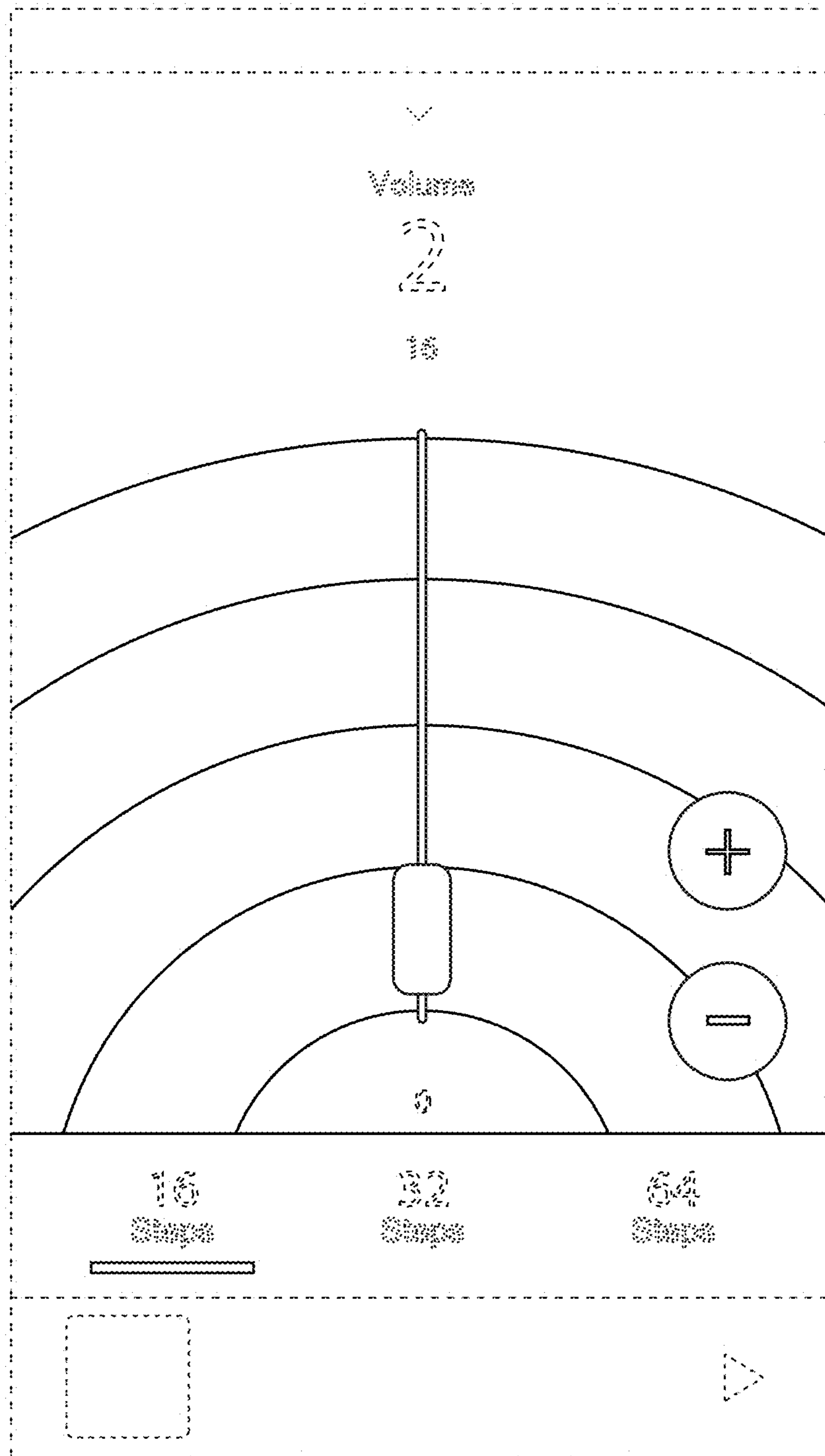


FIG. 3

