



US00D965000S

(12) **United States Design Patent**
Monsalve et al.

(10) **Patent No.:** **US D965,000 S**
(45) **Date of Patent:** **** Sep. 27, 2022**

(54) **MONITOR SUPPORT BRACKET**

- (71) Applicant: **Humanscale Corporation**, New York, NY (US)
- (72) Inventors: **Fabian Monsalve**, New York, NY (US); **Ross Velazquez**, New York, NY (US); **Jacob Glickstein**, New York, NY (US)
- (73) Assignee: **Humanscale Corporation**, New York, NY (US)
- (**) Term: **15 Years**
- (21) Appl. No.: **29/781,576**
- (22) Filed: **Apr. 30, 2021**

Related U.S. Application Data

- (63) Continuation of application No. 29/642,593, filed on Mar. 30, 2018, now Pat. No. Des. 920,986.
- (51) **LOC (13) Cl.** **14-02**
- (52) **U.S. Cl.**
USPC **D14/452**
- (58) **Field of Classification Search**
USPC D14/371-382, 125-129, 335-337, D14/447-452, 492, 376-382, 239, 457, D14/439-441, 432, 251-253; D8/349, D8/354, 363, 373, 376, 380; 348/180,
(Continued)

(56) **References Cited**

U.S. PATENT DOCUMENTS

D275,431 S	9/1984	Usah
D391,945 S	3/1998	Rosen
5,799,917 A	9/1998	Li

(Continued)

FOREIGN PATENT DOCUMENTS

EP	0481159	2/1991
WO	D008784-001	8/1987

OTHER PUBLICATIONS

Amazon.<URL:https://www.amazon.com/dp/BOOBRBX3DM/ref=asc_df_BOOBRBX3DM5102834/?tag=hyprod/OC2cYOAD2O&creative=394997&creativeASIN=BOOBRX3DM&linkCode=OE2')080%A6.>Mar. 29, 2013, Ergotron Mounting Arm, 9 pgs.
(Continued)

Primary Examiner — Katie Jane Stofko
(74) *Attorney, Agent, or Firm* — Womble Bond Dickinson (US) LLP

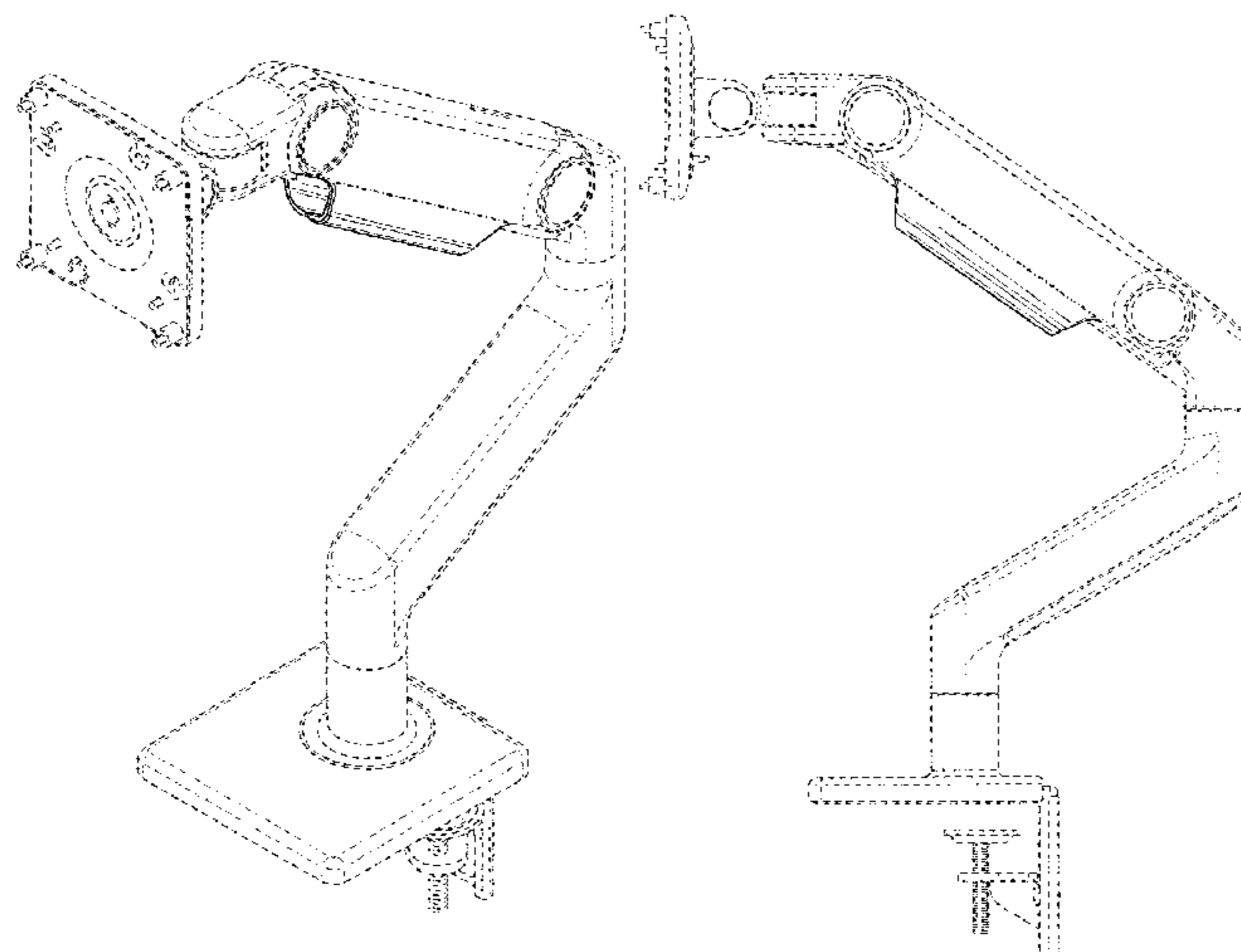
(57) **CLAIM**

The ornamental design for a monitor support bracket, as shown and described.

DESCRIPTION

FIG. 1 is a right front perspective view of a monitor support bracket;
FIG. 2 is a left rear perspective view of the monitor support bracket of FIG. 1;
FIG. 3 is a front view of the monitor support bracket of FIG. 1;
FIG. 4 is a rear view of the monitor support bracket of FIG. 1;
FIG. 5 is a left view of the monitor support bracket of FIG. 1;
FIG. 6 is a right side view of the monitor support bracket of FIG. 1;
FIG. 7 is a top view of the monitor support bracket of FIG. 1; and,
FIG. 8 is a bottom view of the monitor support bracket of FIG. 1.
The evenly-spaced broken lines in FIGS. 1-8 illustrate portions of the monitor support bracket that form no part of the claimed design. The dash-dot-dash broken lines in FIGS. 1-2 and 5-6 illustrate the boundary of the claimed design which forms no part thereof.

1 Claim, 7 Drawing Sheets



(58) **Field of Classification Search**

USPC 348/184, 325, 739, 825; D12/407, 415;
 D3/218; 341/12; D13/108, 155
 CPC G06F 3/0412; G06F 3/016; G06F 3/0488;
 G06F 3/011; G06F 3/038; G06F 3/03543;
 G06F 3/0338; G06F 3/0202; G06F
 3/0219; G06F 3/0213; G06F 1/1616;
 G06F 3/023; G06F 3/04883; G02F
 1/13338; G02F 1/1313; G02F 1/1333;
 G02F 1/135; G02F 1/132; G02F
 1/133308; G02F 1/134309; G02F
 1/13718; G09G 3/3648; G06K 15/1252;
 B41J 2/465; G03F 7/70291; G02B
 27/0172; G02B 5/30; G02B 2027/0118;
 G02B 27/0101; F16M 13/02; F16M
 13/00; F16M 11/10; F16M 11/04; F16M
 2200/08; F16M 11/2021; A47B 21/0314;
 A47B 88/044; A47B 2021/0335; H02G
 3/126; F16B 47/00; F16B 47/006; A47G
 1/17; A47K 2201/00

See application file for complete search history.

(56) **References Cited**

U.S. PATENT DOCUMENTS

D406,228 S 3/1999 Vogels
 D429,251 S 8/2000 Sundy
 D435,107 S 12/2000 Blair
 D435,852 S 1/2001 Oddsen, Jr.
 D486,486 S 2/2004 Jobs
 6,695,270 B1 2/2004 Smed
 D508,917 S 8/2005 Wills
 6,935,883 B2 8/2005 Oddsen, Jr.
 D509,826 S 9/2005 Jobs
 D512,698 S 12/2005 Augenbraun et al.
 D521,996 S 5/2006 Kim
 D537,323 S 2/2007 Saez
 7,207,537 B2 4/2007 Hung
 D541,807 S 5/2007 Oddsen, Jr. et al.
 D542,297 S 5/2007 Hung
 7,252,277 B2 8/2007 Sweere
 D557,125 S 12/2007 Worrall et al.
 7,338,022 B2 3/2008 Hung
 D570,853 S * 6/2008 Derry D14/452
 7,389,965 B2 6/2008 Oddsen, Jr. et al.
 7,395,995 B2 7/2008 Chen
 D584,734 S 1/2009 Chu
 7,510,155 B2 3/2009 Huang et al.
 7,540,457 B2 6/2009 Oddsen, Jr. et al.
 D598,917 S * 8/2009 Luber D14/452
 D608,771 S 1/2010 Hsu
 7,677,518 B2 3/2010 Chouinard et al.
 7,694,927 B2 4/2010 Chuang
 D624,083 S 9/2010 Scheper et al.
 D624,084 S 9/2010 Scheper et al.
 D627,474 S 11/2010 Nordgren
 D631,052 S 1/2011 Hung
 D631,445 S * 1/2011 Dittmer D13/155
 D636,765 S 4/2011 Molter et al.
 D643,042 S 8/2011 Saelid
 D651,199 S 12/2011 Huang
 D654,503 S 2/2012 Sapper
 D655,532 S 3/2012 Saelid
 8,191,487 B2 6/2012 Theesfeld et al.
 D668,256 S 10/2012 Matteo
 D668,257 S 10/2012 Tsai
 8,366,060 B2 * 2/2013 Hung F16M 13/022
 248/278.1
 D685,806 S 7/2013 Kim et al.
 D688,674 S 8/2013 Lau et al.
 D690,306 S 9/2013 Malisse
 8,720,838 B2 5/2014 Bowman
 D709,896 S 7/2014 McKinsty

8,839,723 B2 9/2014 Hazzard et al.
 D714,775 S 10/2014 Yoo
 D715,938 S 10/2014 Li et al.
 D724,072 S 3/2015 Jiang
 9,080,721 B2 7/2015 Hazzard et al.
 D735,727 S 8/2015 Dugger
 D740,830 S 10/2015 Chu
 D745,873 S * 12/2015 Xiang D14/452
 D747,179 S * 1/2016 Xiang D8/363
 9,267,639 B2 2/2016 Sweere et al.
 D751,565 S 3/2016 Gross
 D751,566 S 3/2016 Anderson
 D757,240 S * 5/2016 Forlong D23/393
 D758,375 S 7/2016 Won et al.
 9,400,083 B2 7/2016 Sapper et al.
 D769,881 S 10/2016 Lazzi et al.
 D787,522 S 5/2017 Lee
 9,657,889 B1 5/2017 Chumakov
 D792,419 S 7/2017 Shen
 D796,519 S 9/2017 Hung
 9,752,723 B2 * 9/2017 Hung F16M 11/2014
 D798,848 S 10/2017 Frank
 D805,085 S * 12/2017 Xiang D14/452
 D812,066 S * 3/2018 Lazzi D14/447
 D847,823 S * 5/2019 Monsalve D14/452
 D849,013 S * 5/2019 Monsalve D14/452
 D875,105 S * 2/2020 Xiang D14/452
 D877,744 S * 3/2020 Xiang D14/452
 D907,050 S * 1/2021 Vardar D14/452
 D918,218 S * 5/2021 Lyu D14/452
 D926,196 S * 7/2021 Lyu D14/452
 D936,070 S * 11/2021 You D14/452
 D939,517 S * 12/2021 You D14/452
 D950,570 S * 5/2022 You D14/452
 2005/0284991 A1 12/2005 Saez
 2006/0266903 A1 * 11/2006 Oddsen, Jr. F16M 11/10
 248/274.1
 2007/0040084 A1 2/2007 Sturman et al.
 2008/0315048 A1 12/2008 Sakata
 2011/0147546 A1 * 6/2011 Monsalve F16M 11/2092
 248/122.1
 2011/0260017 A1 10/2011 Monsalve et al.
 2011/0315843 A1 * 12/2011 Hung F16M 11/041
 248/279.1
 2012/0119040 A1 5/2012 Ergun et al.
 2012/0187056 A1 7/2012 Hazzard
 2012/0267497 A1 * 10/2012 Bowman F16M 13/022
 248/280.11
 2013/0126682 A1 5/2013 Tholkes et al.
 2014/0137773 A1 5/2014 Mandel et al.
 2014/0367137 A1 * 12/2014 Leung H02G 1/00
 174/68.3
 2019/0301670 A1 * 10/2019 Glickstein F16M 11/2064

OTHER PUBLICATIONS

Dell Monitor Stand User's Guide (USB 3.0 Dock MKS14), Aug. 2015, 23 pgs.
 Ergotron DS100 Quad-Monitor Desk Stand, <http://ergotron.com/ProductsDetails/tabid/65/PRDID/196/language/en-US/Default.aspx>, known at least as early as Jun. 7, 2016, 2 pgs.
 Humanscale's Quickstand Workstation, <http://www.humanscale.com/products/product.cfm?group=quickstand>, known at least as early as Jun. 7, 2016, 3 pgs.
 M2 Monitor Arm Brochure, Humanscale, known at least as early as Dec. 21, 2016, 5 pgs.
 M8 Monitor Arm Brochure, Humanscale, known at least as early as Dec. 21, 2016, 4 pgs.
 Office Depot & OfficeMax. <URL:<http://www.officedepot.com/catalog/search.do?Ntt=302938>'>/OEPABPABDWorkFir/oEPABPABDS%EP/oBP/013Display/OEP/O BF%BDStand.> Feb. 2, 2016. Ergotron WorkFit S Display Stand, 2 pgs.
 Youtube, <URL:<https://www.youtube.com/watch?v=kY3zIRz-ZKY>> Aug. 1, 2016, HumanScale Quick Stand, 2 pgs.

* cited by examiner

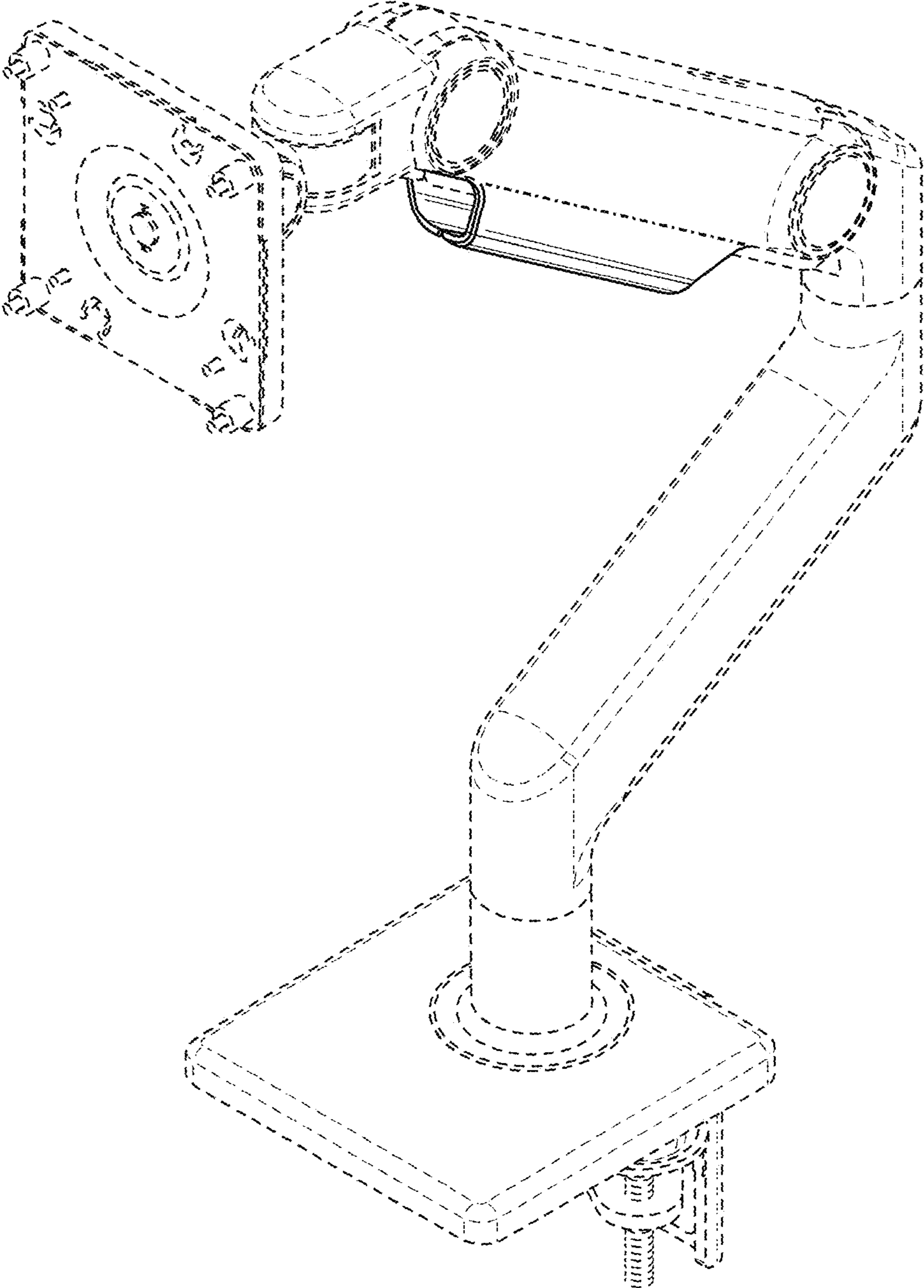


FIG. 1

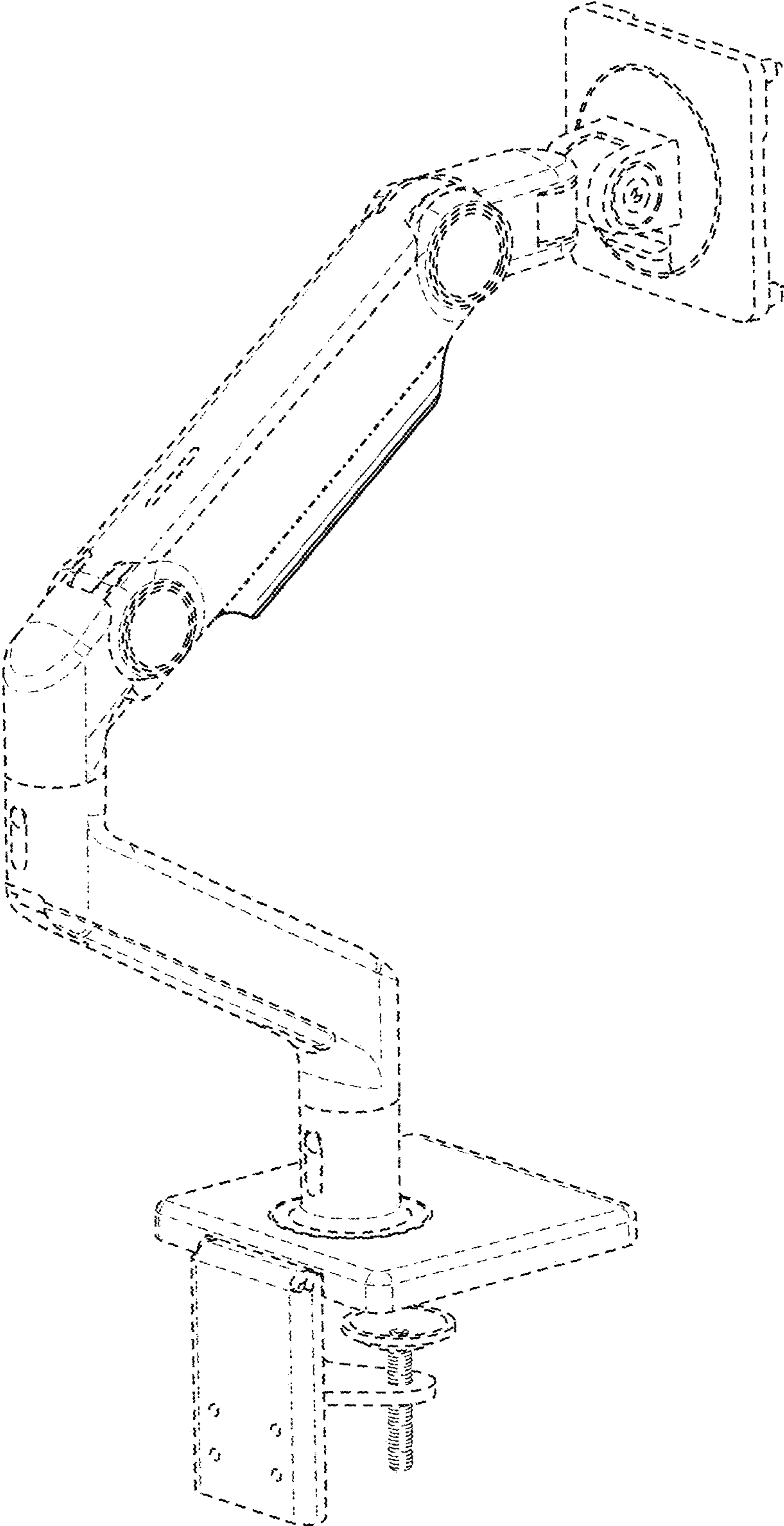


FIG. 2

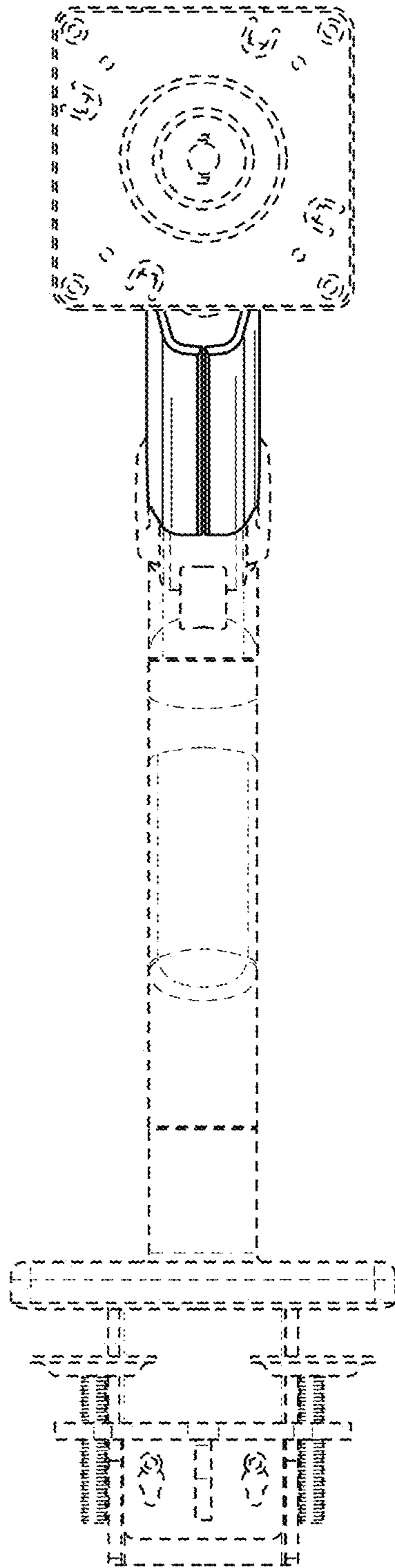


FIG. 3

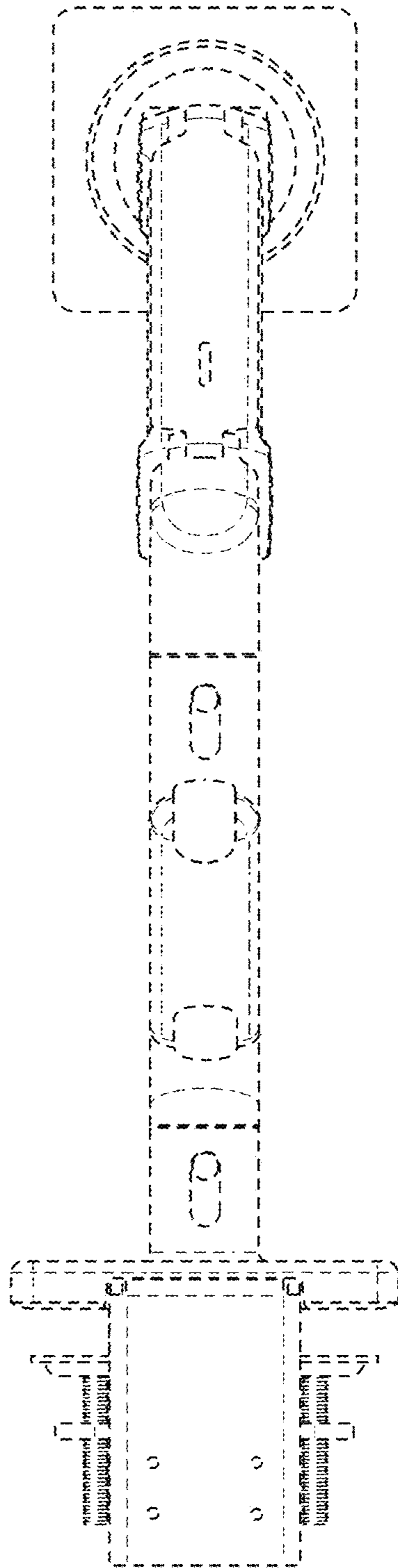


FIG. 4

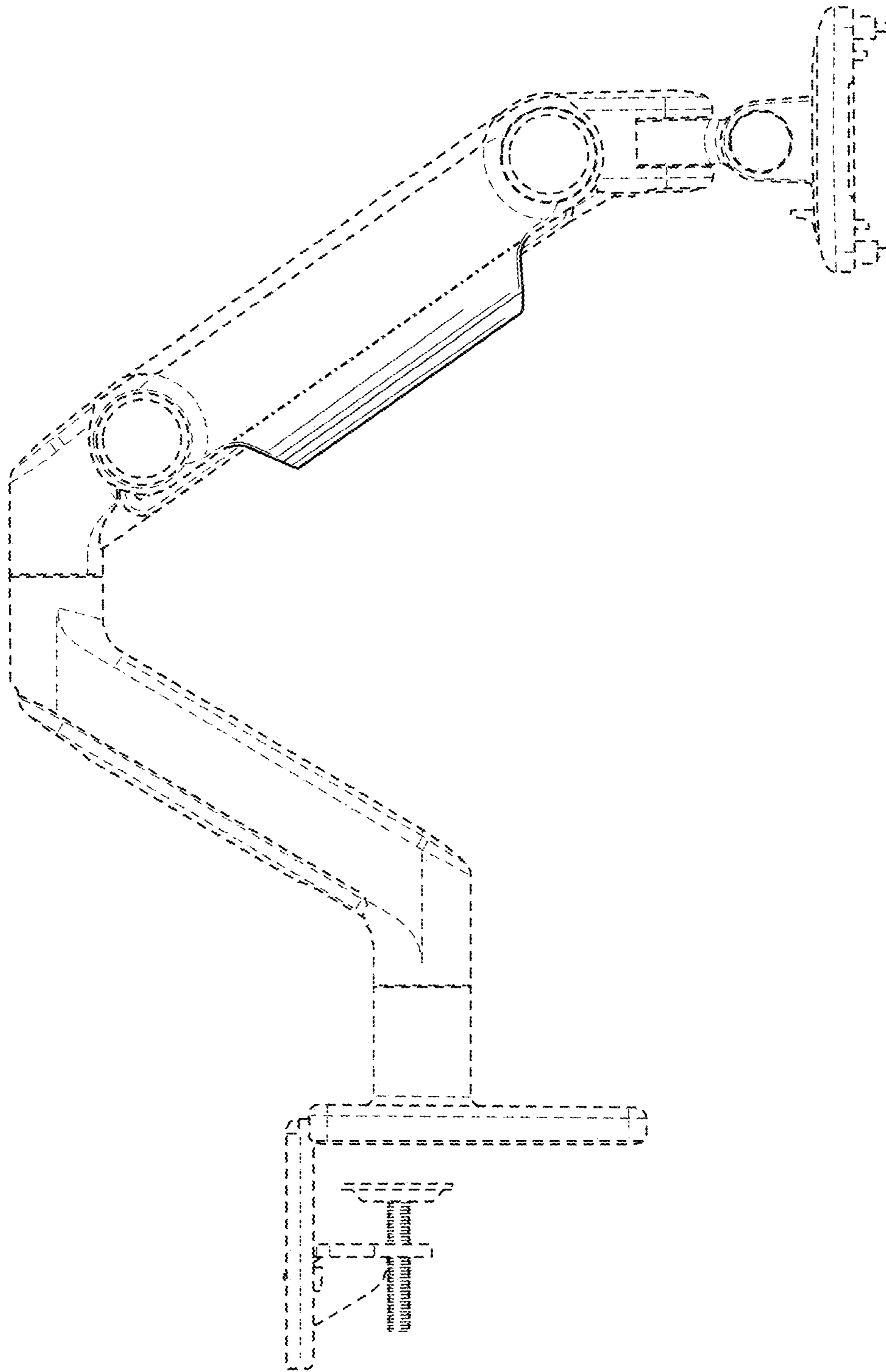


FIG. 5

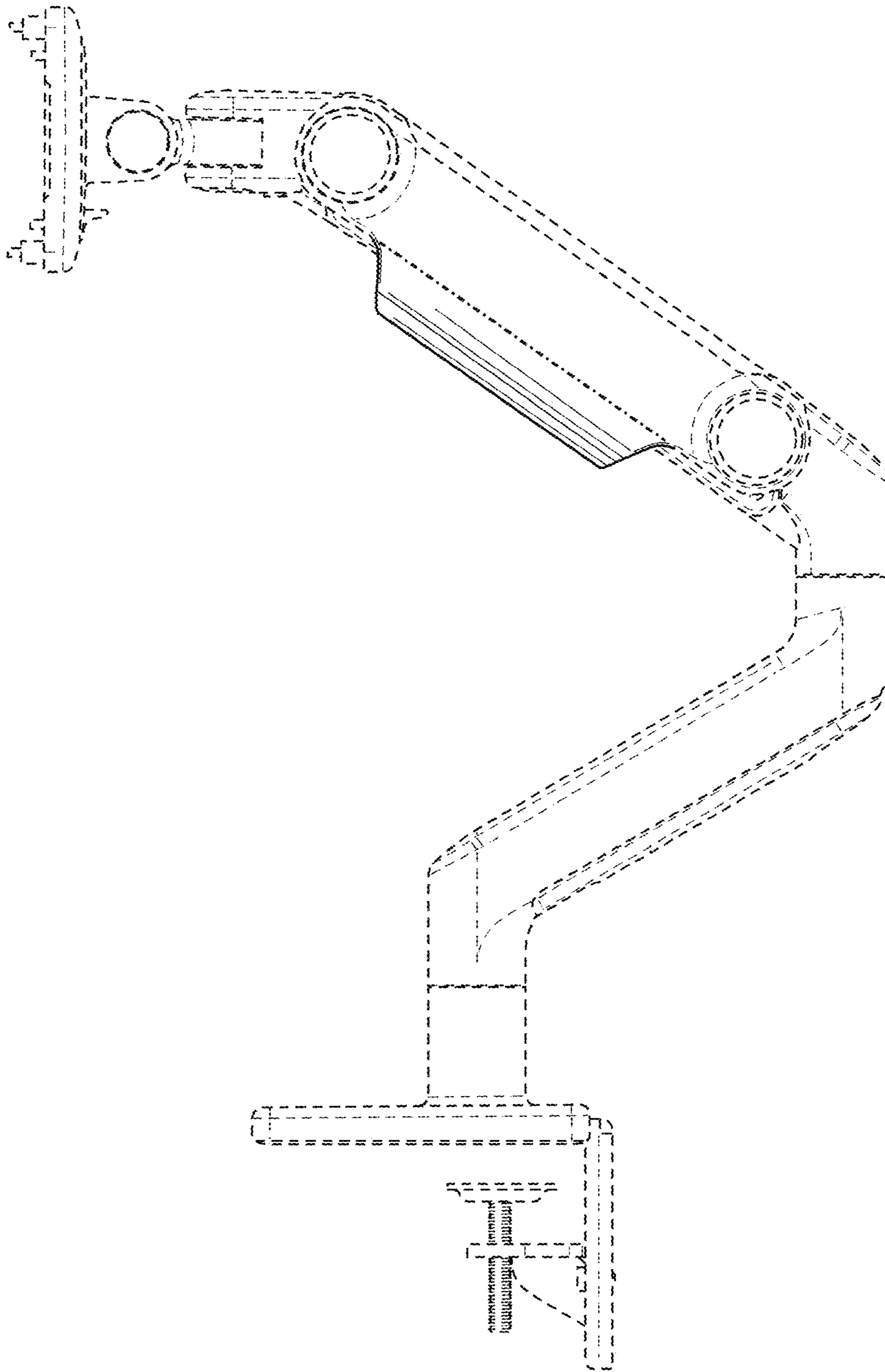


FIG. 6

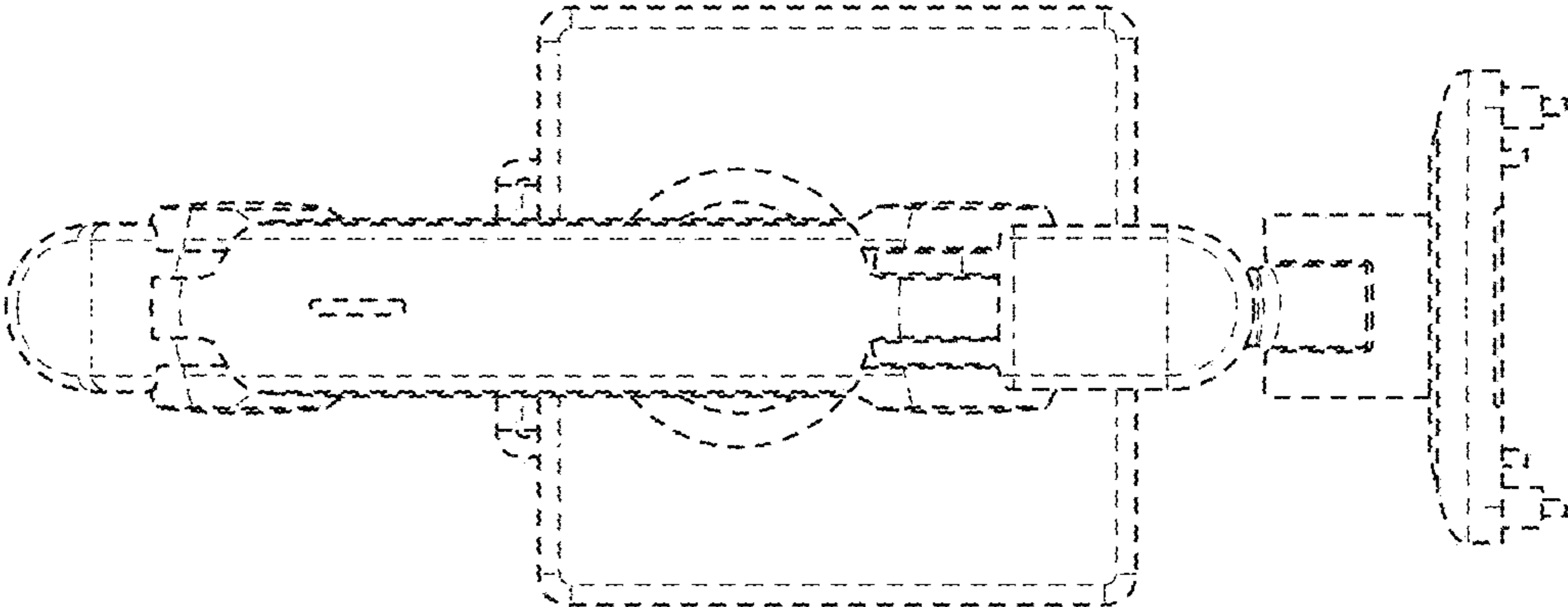


FIG. 7

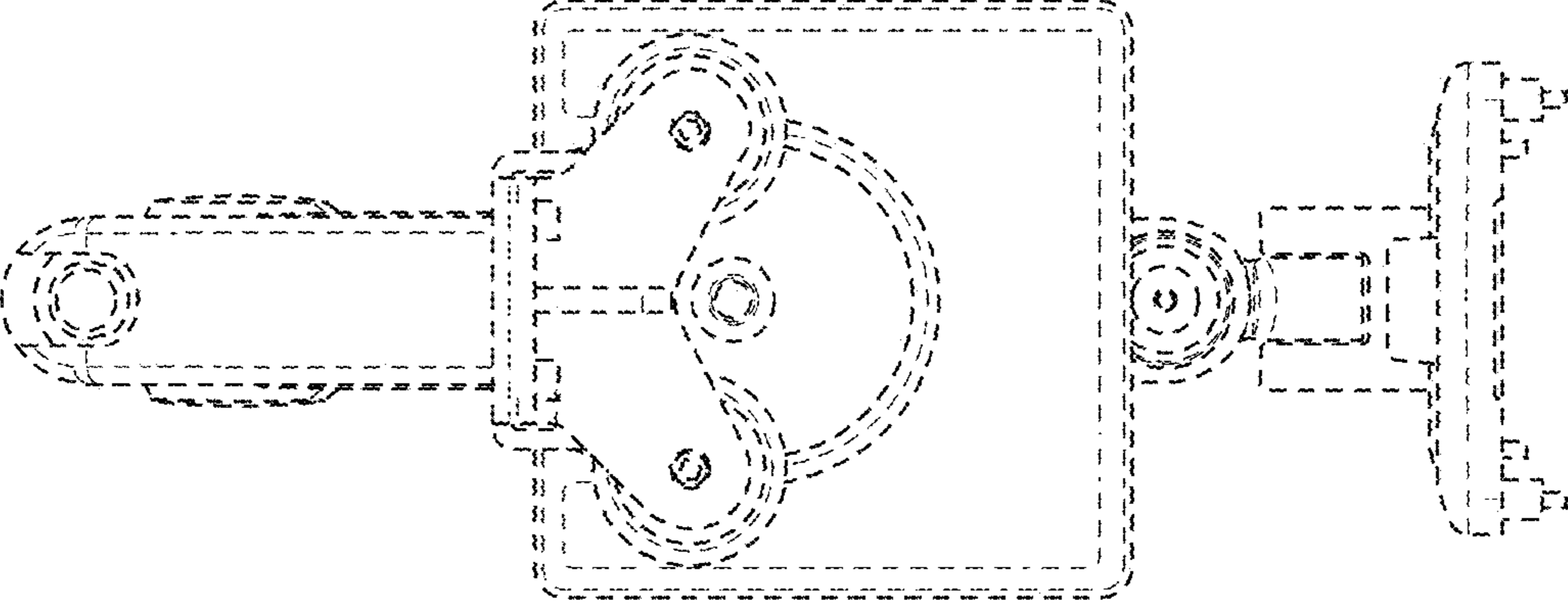


FIG. 8