

US00D964999S

(12) **United States Design Patent**
Li

(10) **Patent No.:** **US D964,999 S**

(45) **Date of Patent:** **** Sep. 27, 2022**

(54) **TABLET CASE**

(71) Applicant: **Shenzhen JinChannel Innovation Technology Co., Ltd., Shenzhen (CN)**

(72) Inventor: **Enqun Li, Shenzhen (CN)**

(**) Term: **15 Years**

(21) Appl. No.: **29/837,559**

(22) Filed: **May 6, 2022**

(51) **LOC (13) Cl.** **14-02**

(52) **U.S. Cl.**
USPC **D14/440**

(58) **Field of Classification Search**
USPC D14/440, 447, 250; 361/679.55;
206/45.23, 320, 45.2; 294/25; 455/575.8
CPC ... G06F 1/1628; G06F 1/1626; A47B 23/044;
A45C 11/00
See application file for complete search history.

D691,142 S *	10/2013	Diebel	G06F 1/1679
				D14/440
D696,253 S *	12/2013	Akana	D14/345
D696,256 S *	12/2013	Piedra	D14/440
D696,669 S *	12/2013	Akana	D14/440
8,657,112 B2 *	2/2014	Igarashi	H05K 5/03
				206/320
D701,205 S *	3/2014	Akana	D14/341
D702,673 S *	4/2014	Murchison	D14/250
D704,689 S *	5/2014	Chang	D3/218
D706,270 S *	6/2014	Akana	D14/440
8,783,458 B2 *	7/2014	Gallagher	G11B 33/1446
				206/320
D770,458 S *	11/2016	Corcoran	D14/440
10,148,307 B2 *	12/2018	Shannon, III	G06F 1/1643
D851,648 S *	6/2019	Tan	D14/440
D864,972 S *	10/2019	Chen	D14/440
D868,071 S *	11/2019	Liu	D14/440
D872,093 S *	1/2020	Xu	D14/440
D885,399 S *	5/2020	Chen	D14/440
D885,402 S *	5/2020	Lei	D14/440
D887,415 S *	6/2020	Claudepierre	D14/440

(Continued)

Primary Examiner — Cynthia R Underwood

(56) **References Cited**

U.S. PATENT DOCUMENTS

6,772,879 B1 *	8/2004	Domotor	G06F 1/1628
				206/320
D658,187 S *	4/2012	Diebel	G06F 1/1628
				D14/440
D658,188 S *	4/2012	Diebel	D14/440
D663,304 S *	7/2012	Akana	D14/440
8,245,843 B1 *	8/2012	Wu	H01M 10/465
				206/320
D671,948 S *	12/2012	Akana	D14/440
D672,353 S *	12/2012	Liu	D14/440
D678,260 S *	3/2013	Bau	D14/132
D679,715 S *	4/2013	Akana	D14/440
D681,641 S *	5/2013	Van Den Nieuwenhuizen	D14/440
D682,836 S *	5/2013	Akana	D14/440
D682,838 S *	5/2013	Akana	D14/440
D687,438 S *	8/2013	Lu	D14/440
D690,702 S *	10/2013	Chung	D14/440

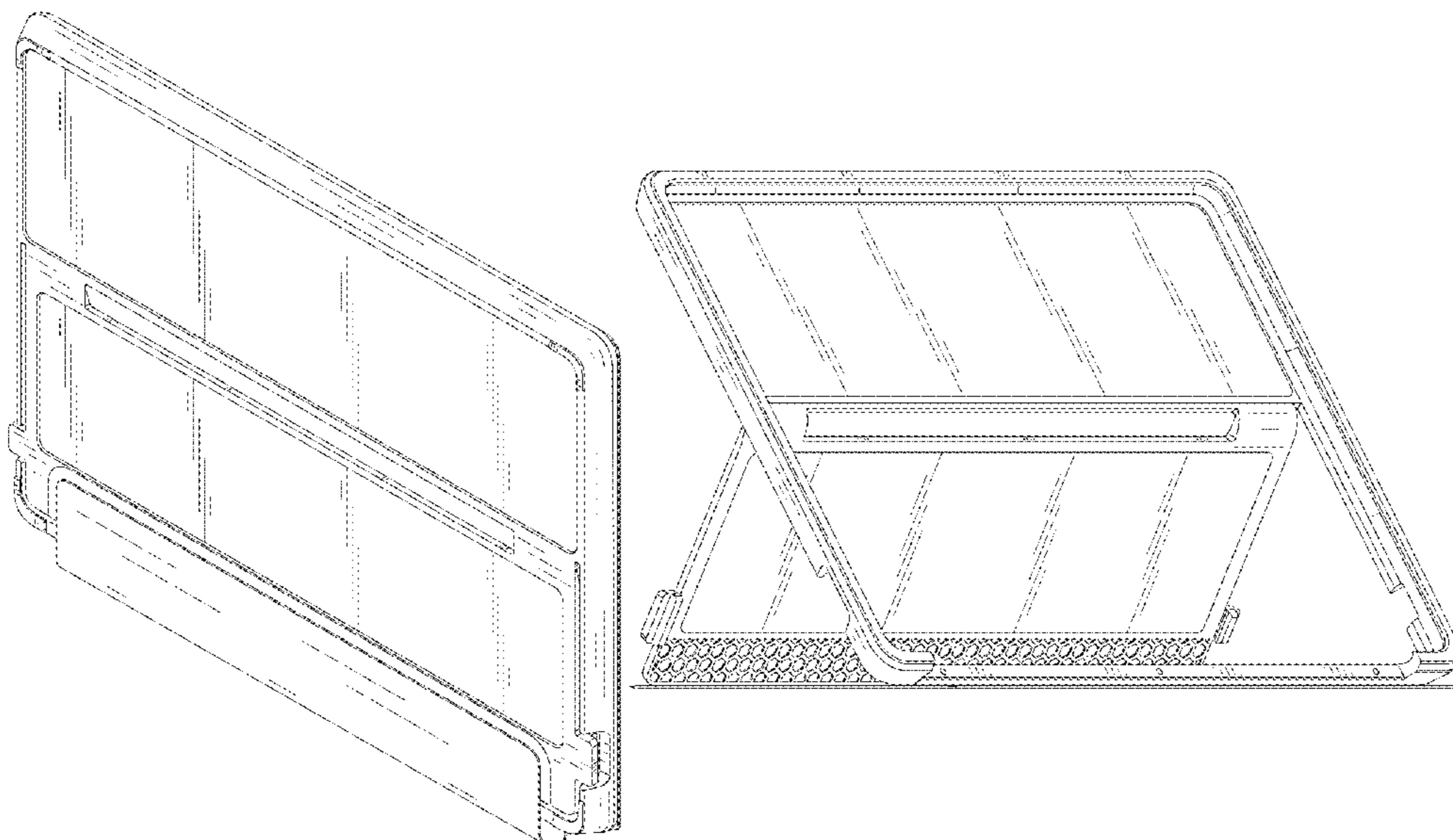
(57) **CLAIM**

The ornamental design for a tablet case, as shown and described.

DESCRIPTION

FIG. 1 is a bottom perspective view of a tablet case, showing my new design;
FIG. 2 is its open state diagram;
FIG. 3 is a front view thereof;
FIG. 4 is a rear view thereof;
FIG. 5 is a left side view thereof;
FIG. 6 is a right side view thereof;
FIG. 7 is a top view thereof;
FIG. 8 is the open state diagram of its top surface; and,
FIG. 9 is a bottom view thereof.

1 Claim, 9 Drawing Sheets



(56)

References Cited

U.S. PATENT DOCUMENTS

D888,718	S	*	6/2020	Xu	D14/440
D889,474	S	*	7/2020	Akana	D14/440
D892,126	S	*	8/2020	Kim	D14/440
D892,803	S	*	8/2020	Armstrong	D14/440
D898,747	S	*	10/2020	Deng	D14/440
D906,334	S	*	12/2020	Du	D14/440
D908,130	S	*	1/2021	Xu	D14/440
D909,391	S	*	2/2021	Cheng	D14/440
D910,026	S	*	2/2021	Li	D14/440
D910,642	S	*	2/2021	Li	D14/440
D910,643	S	*	2/2021	Li	D14/440
D912,063	S	*	3/2021	Yan	D14/440
D920,335	S	*	5/2021	Akana	D14/440
D921,637	S	*	6/2021	Cheng	D14/440
D922,390	S	*	6/2021	Cheng	D14/440
D922,391	S	*	6/2021	Cheng	D14/440
D923,011	S	*	6/2021	Cheng	D14/440
D923,012	S	*	6/2021	Li	D14/440
D924,244	S	*	7/2021	Akana	D14/440
D924,880	S	*	7/2021	Akana	D14/440
D928,165	S	*	8/2021	Li	D14/440
D928,788	S	*	8/2021	Kang	D14/440
D941,297	S	*	1/2022	Wright	D14/440
D946,579	S	*	3/2022	Tan	D14/440
2012/0211377	A1	*	8/2012	Sajid	G06F 1/1628 206/216
2012/0308981	A1	*	12/2012	Libin	G09B 7/00 434/362
2013/0140203	A1	*	6/2013	Chiang	G06F 1/1628 206/320
2019/0275714	A1	*	9/2019	Kanoh	B29C 45/14311

* cited by examiner

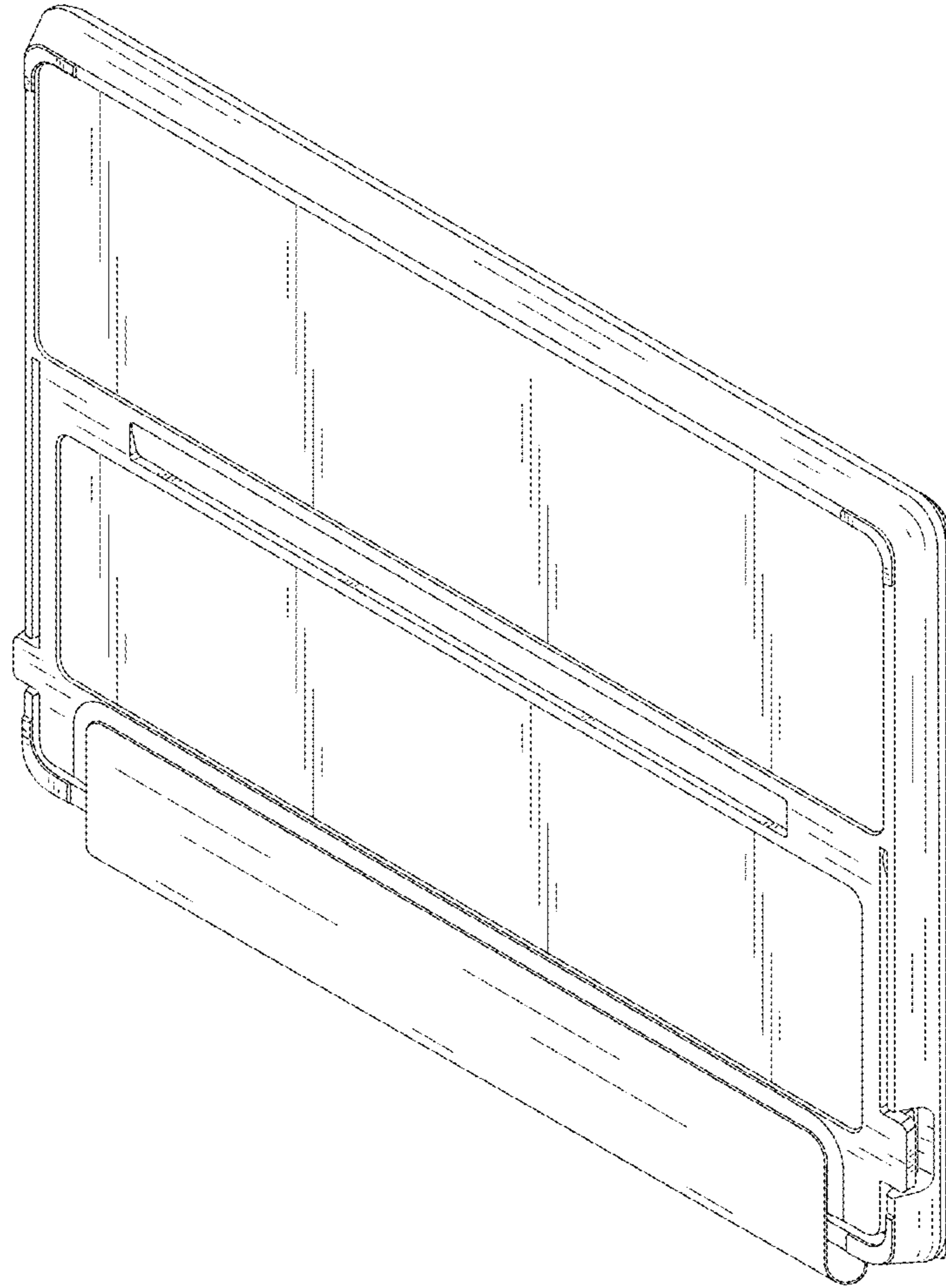


FIG. 1

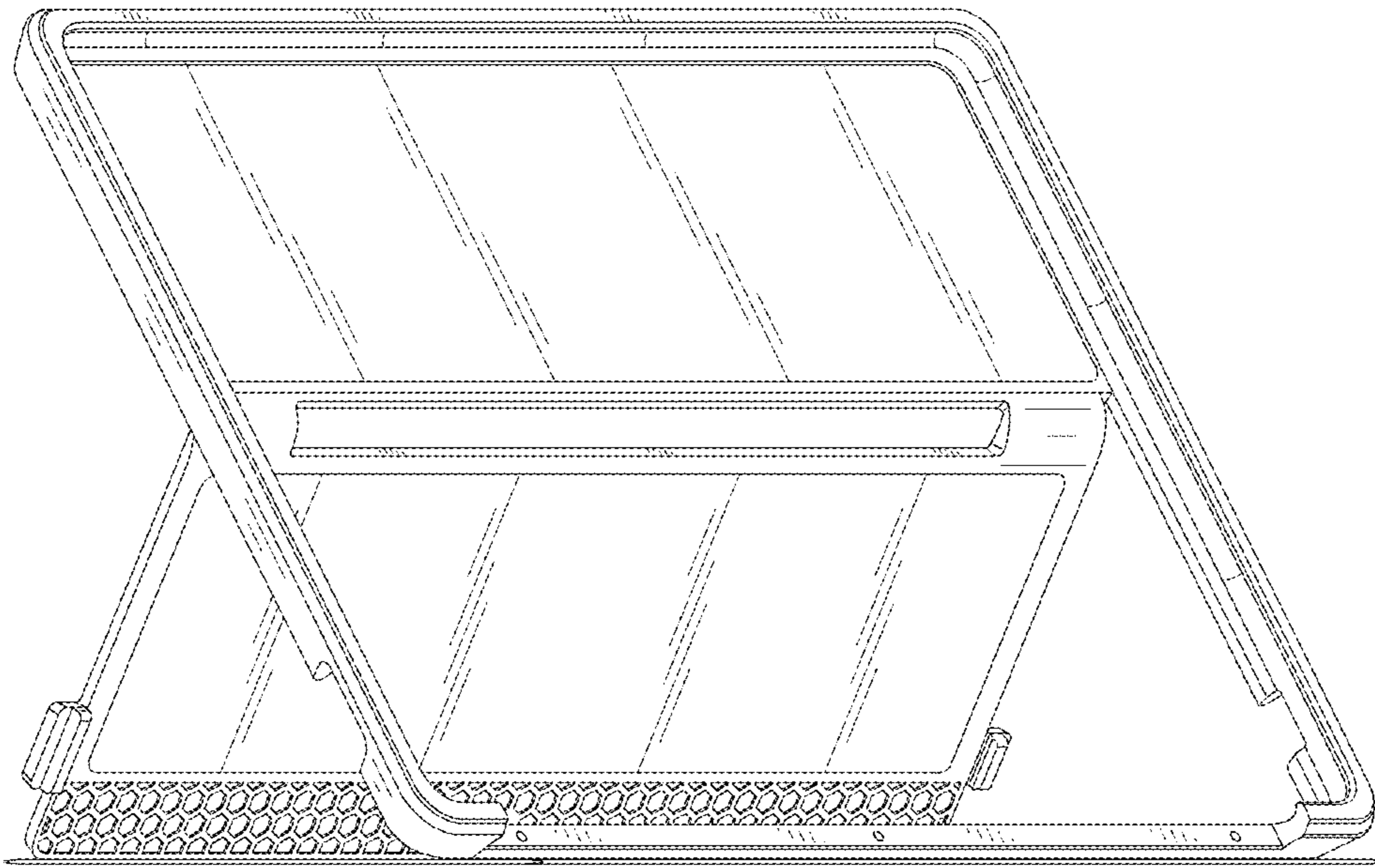


FIG. 2

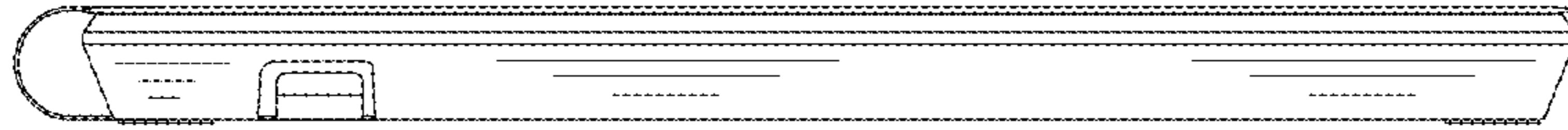


FIG. 3

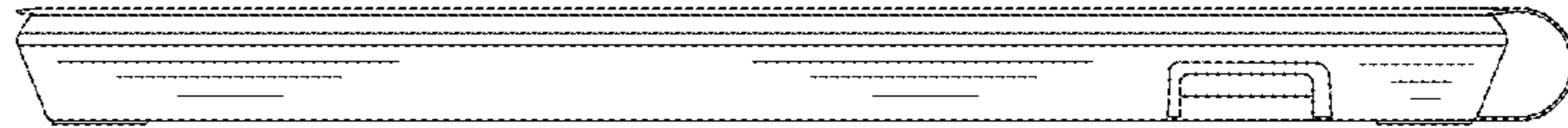


FIG. 4



FIG. 5

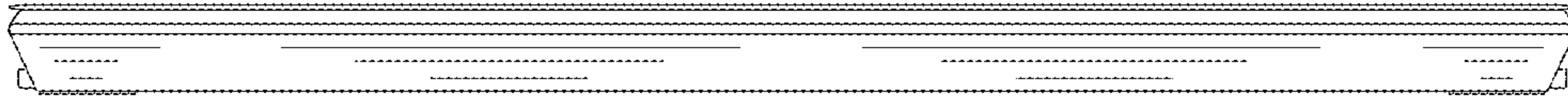


FIG. 6

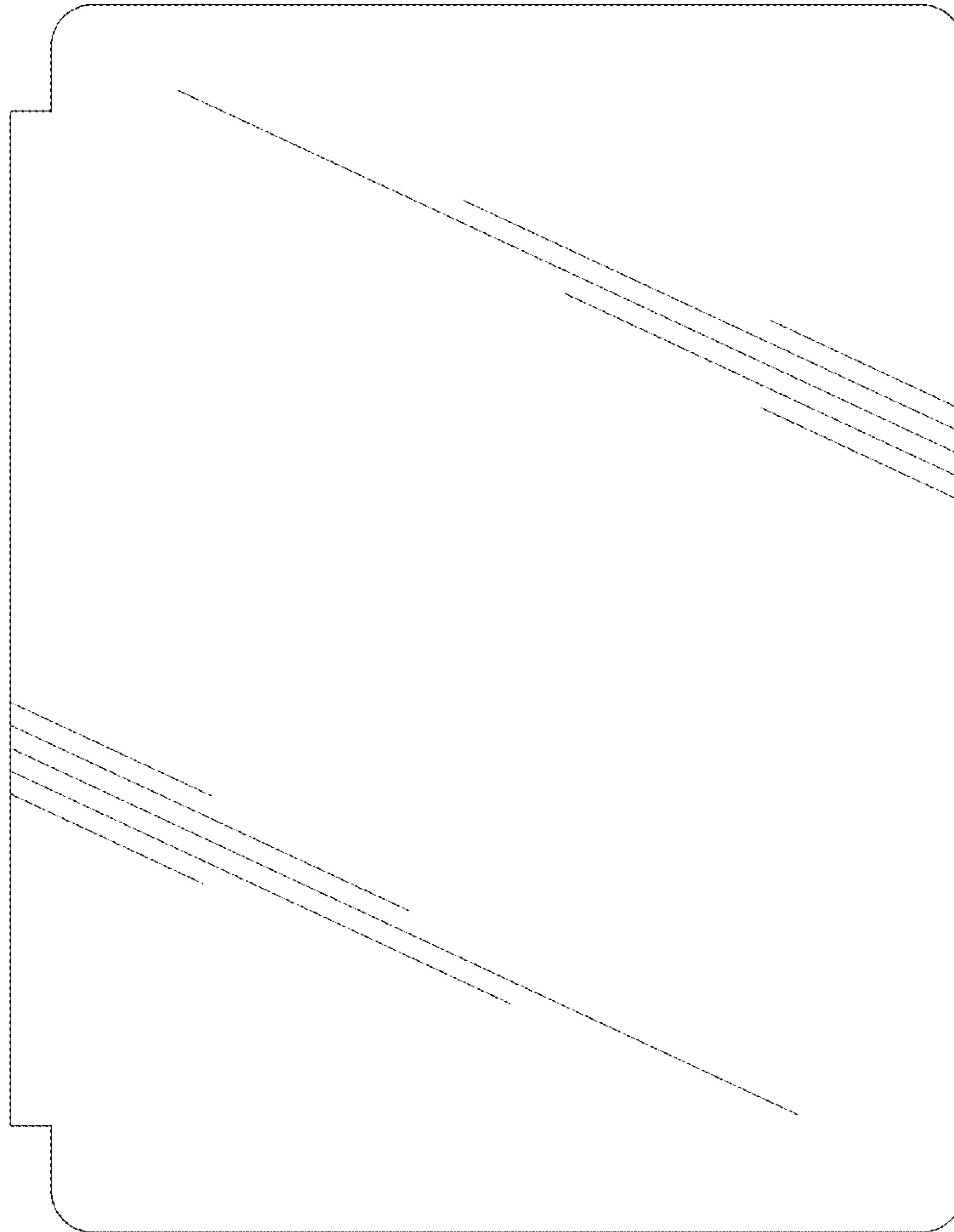


FIG. 7

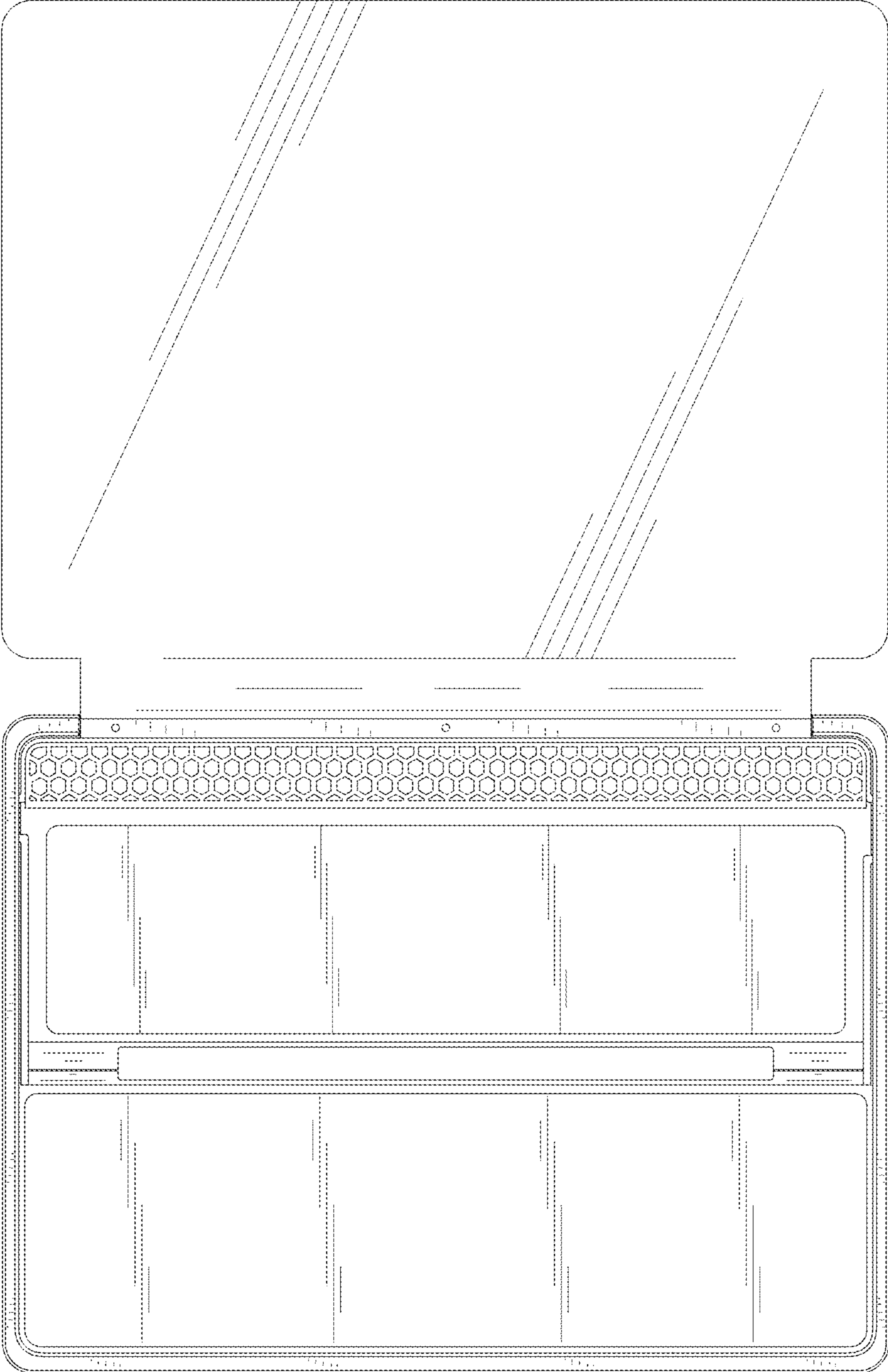


FIG. 8

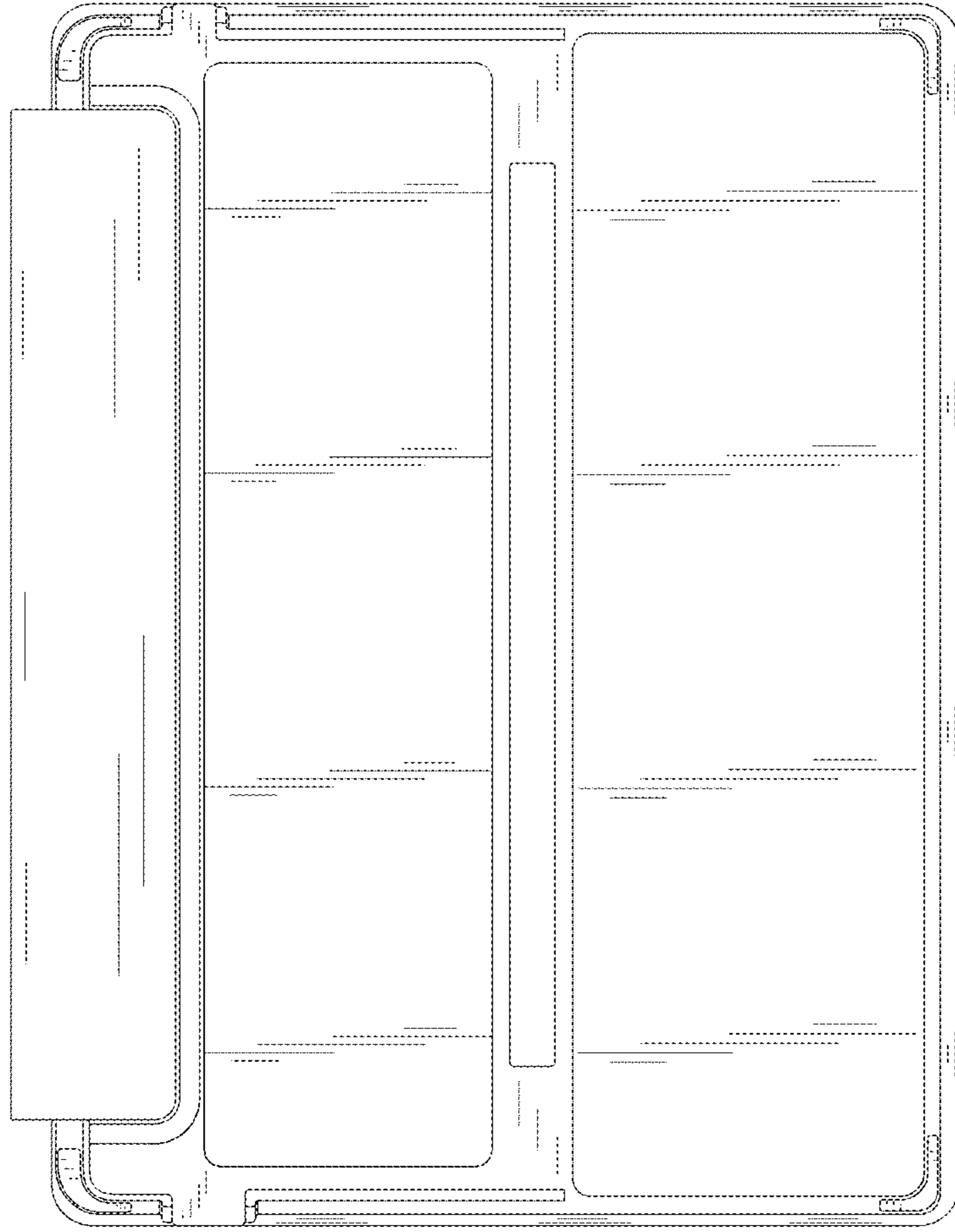


FIG. 9