

US00D964994S

(12) **United States Design Patent**
Chan et al.

(10) **Patent No.:** **US D964,994 S**

(45) **Date of Patent:** **** Sep. 27, 2022**

(54) **CASE FOR PORTABLE ELECTRONIC
COMPUTING DEVICE**

(71) Applicant: **Pioneer Square Brands, Inc.**, Seattle,
WA (US)

(72) Inventors: **Jaimie Emerald Chan**, Renton, WA
(US); **Brian Lewis Piper**, Seattle, WA
(US)

(73) Assignee: **Pioneer Square Brands, Inc.**, McLean,
VA (US)

(**) Term: **15 Years**

(21) Appl. No.: **29/816,755**

(22) Filed: **Nov. 24, 2021**

(51) **LOC (13) Cl.** **14-02**

(52) **U.S. Cl.**
USPC **D14/440**

(58) **Field of Classification Search**
USPC D14/440, 447, 250; 361/679.55;
206/45.23, 320, 45.2; 294/25; 455/575.8
CPC ... G06F 1/1628; G06F 1/1626; A47B 23/044;
A45C 11/00
See application file for complete search history.

(56) **References Cited**

U.S. PATENT DOCUMENTS

7,042,712 B2 *	5/2006	Ghosh	G06F 1/1605 345/169
D658,188 S	4/2012	Diebel	
D681,641 S	5/2013	Van Den Nieuwenhuizen et al.	
D709,510 S	7/2014	Soare	
D710,857 S *	8/2014	Mecchella	D14/440
D724,093 S *	3/2015	Dong	D14/440
D801,976 S *	11/2017	Li	D14/440
D808,395 S	1/2018	Fenton	
D810,732 S	2/2018	Fenton et al.	

D816,087 S	4/2018	Fenton et al.	
D817,334 S	5/2018	Fenton et al.	
D837,219 S	1/2019	Gao	
D837,796 S	1/2019	Kim et al.	
D841,012 S	2/2019	Kim et al.	
D841,013 S	2/2019	Ferren et al.	
D844,611 S	4/2019	Ferren et al.	
D847,817 S	5/2019	Cheng	
D848,441 S	5/2019	Ferren et al.	
D850,452 S	6/2019	Akana et al.	
D850,454 S	6/2019	Kim et al.	
D851,093 S *	6/2019	Moore	D14/440
D852,199 S	6/2019	Kim et al.	
D852,200 S	6/2019	Chan et al.	
D852,201 S	6/2019	Chan et al.	
D852,802 S	7/2019	Gao	
D863,314 S	7/2019	Chan et al.	
D863,315 S	7/2019	Chan et al.	
D864,210 S	7/2019	Chan et al.	
D863,316 S	9/2019	Chan et al.	

(Continued)

Primary Examiner — Cynthia R Underwood

(74) *Attorney, Agent, or Firm* — Grandview Law

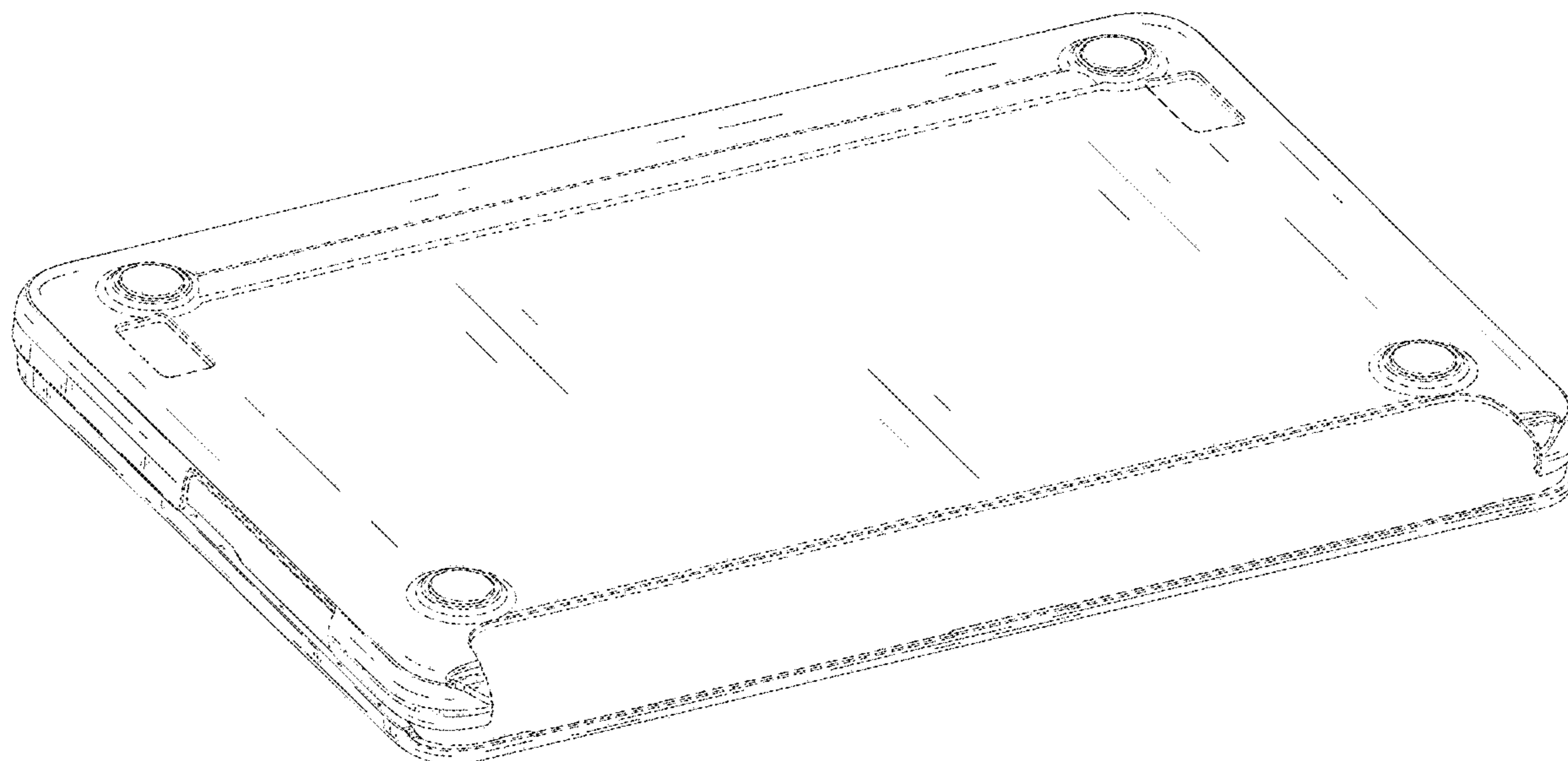
(57) **CLAIM**

The ornamental design for a case for portable electronic computing device, as shown and described.

DESCRIPTION

FIG. 1 is a top perspective view of a case for portable electronic computing device showing our new design.
 FIG. 2 is a bottom perspective view thereof.
 FIG. 3 is a top plan view thereof.
 FIG. 4 is a bottom plan view thereof.
 FIG. 5 is a front elevational view thereof.
 FIG. 6 is a rear elevational view thereof.
 FIG. 7 is a left elevational view thereof; and,
 FIG. 8 is a right elevational view thereof.
 The features shown in broken lines in the drawing figures depict features that form no part of the claimed design.

1 Claim, 6 Drawing Sheets



(56)

References Cited

U.S. PATENT DOCUMENTS

D861,698 S	*	10/2019	Fenton	D14/440	D907,638 S	1/2021	Yang	
D862,480 S		10/2019	Chan et al.		D908,129 S	1/2021	Nyholm et al.	
D863,317 S		10/2019	Piper et al.		D908,132 S	1/2021	Poon	
D868,789 S		12/2019	Weng		D908,708 S	*	1/2021	Miller D14/440
D868,790 S		12/2019	Weng		D910,026 S		2/2021	Li
D874,467 S		2/2020	Piper et al.		D910,641 S		2/2021	Wu
D881,895 S		4/2020	Liu		D911,349 S		2/2021	Giazzon
D883,989 S		5/2020	Cheng		D913,295 S		3/2021	Piper et al.
D888,063 S		6/2020	Chan et al.		D920,337 S		5/2021	Chan et al.
D888,718 S		6/2020	Xu		D920,983 S		6/2021	Chan et al.
D892,804 S		8/2020	Lin		D922,392 S		6/2021	Chan et al.
D892,806 S	*	8/2020	Manzano	D14/440	D926,194 S		7/2021	Piper et al.
D895,630 S		9/2020	Piper et al.		D928,167 S		8/2021	Cheng
D902,934 S		11/2020	Manzano et al.		D930,002 S	*	9/2021	Zhou D14/440
D905,698 S		12/2020	Wall		D930,653 S		9/2021	Armstrong
D905,699 S		12/2020	Hyun		D933,074 S		10/2021	Hu
D906,334 S		12/2020	Du		D933,665 S		10/2021	Ke
D906,338 S		12/2020	Hyun		D934,262 S		10/2021	Manzano et al.
D906,341 S		12/2020	Jiao		D935,468 S		11/2021	Li
					D936,659 S		11/2021	Li
					D940,145 S	*	1/2022	Zhang D14/440

* cited by examiner

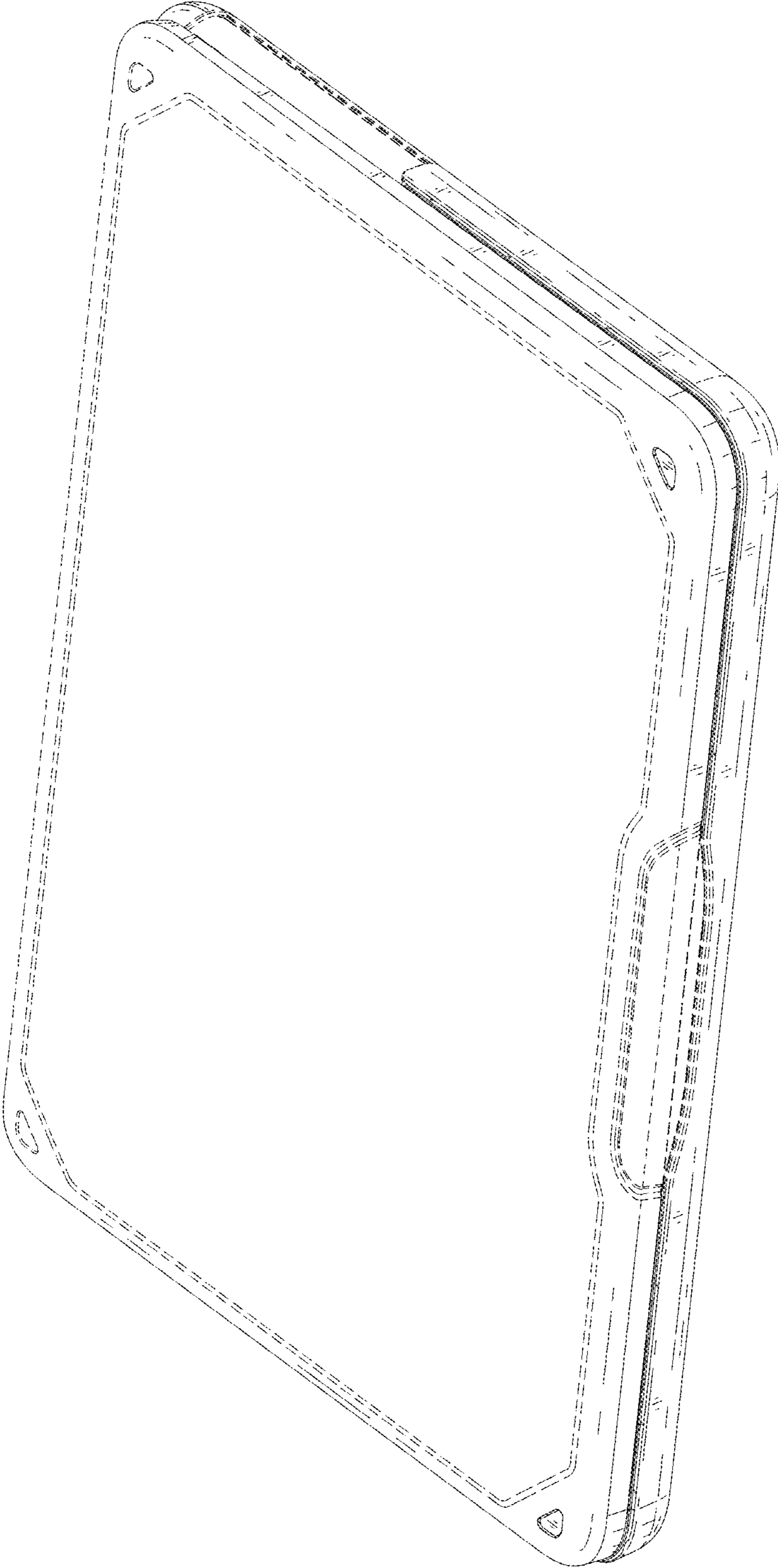


FIG. 1

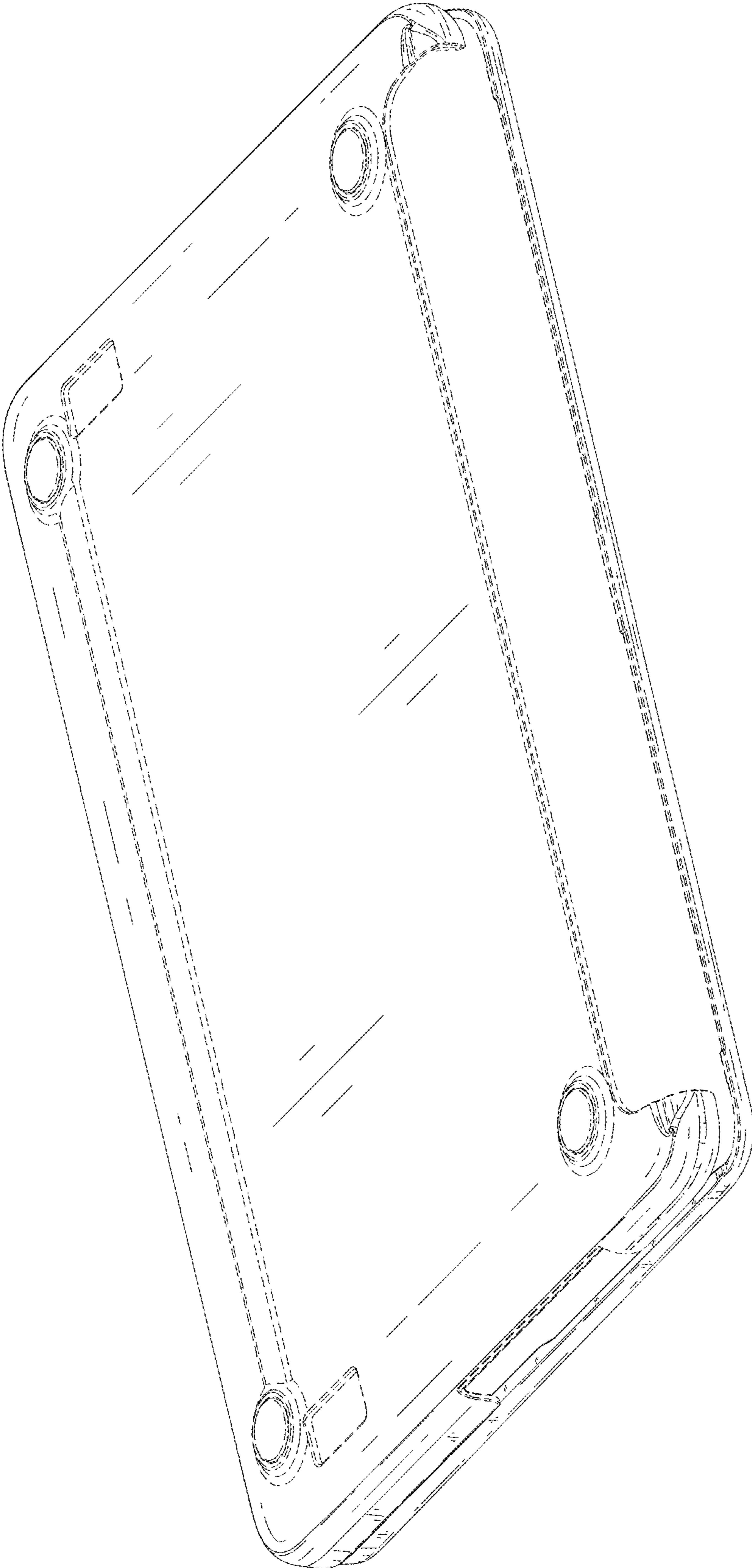


FIG. 2

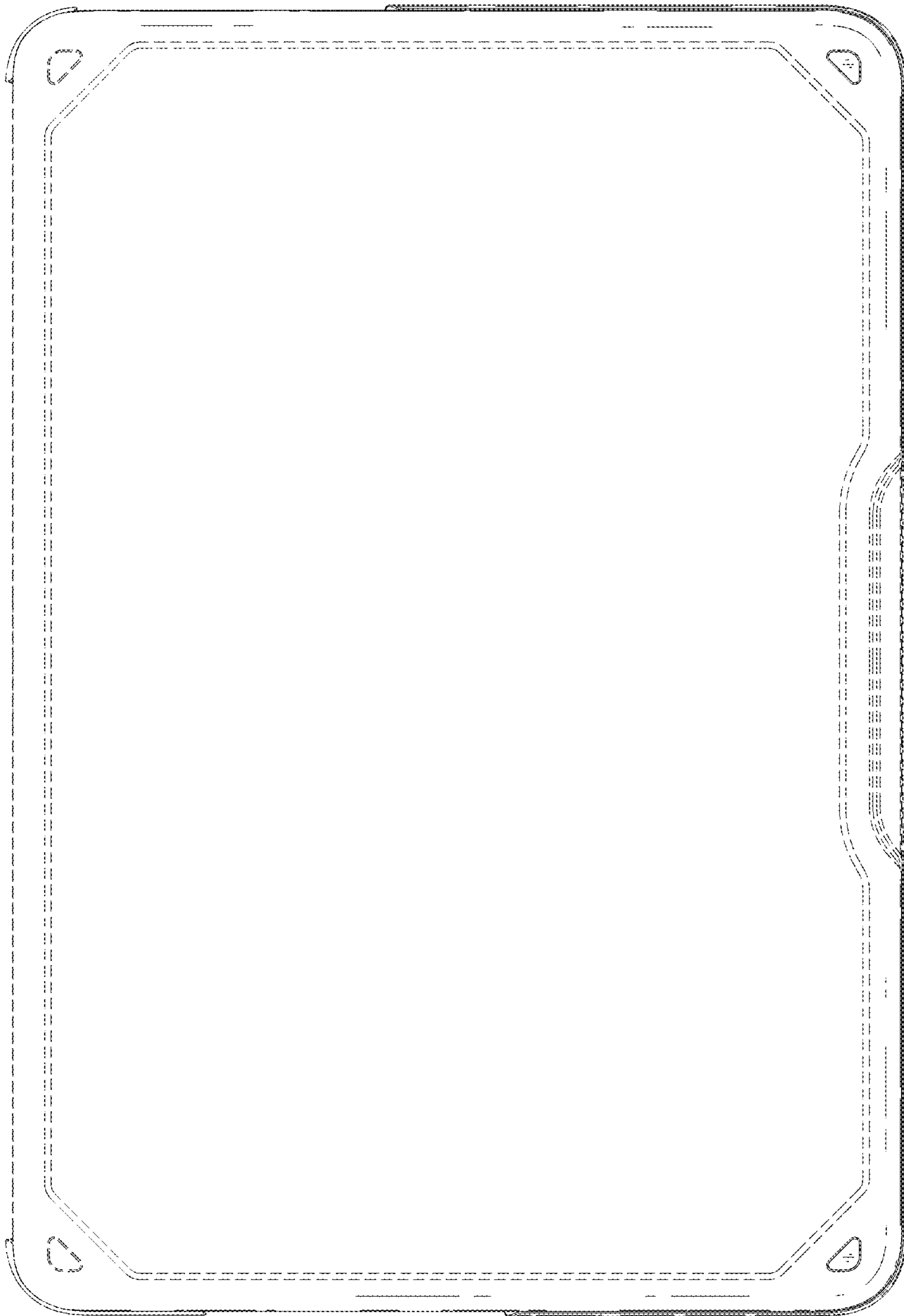


FIG. 3

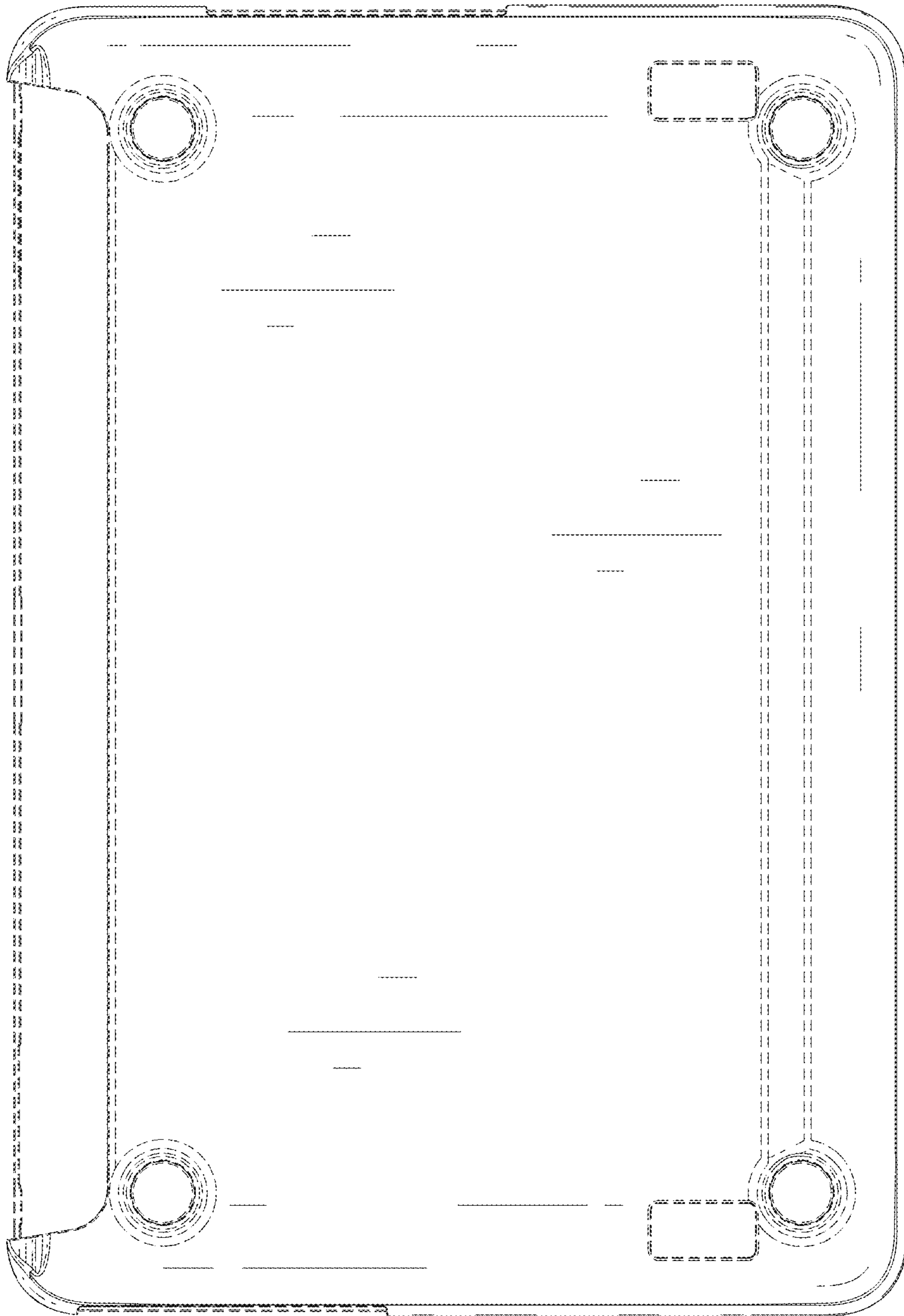


FIG. 4

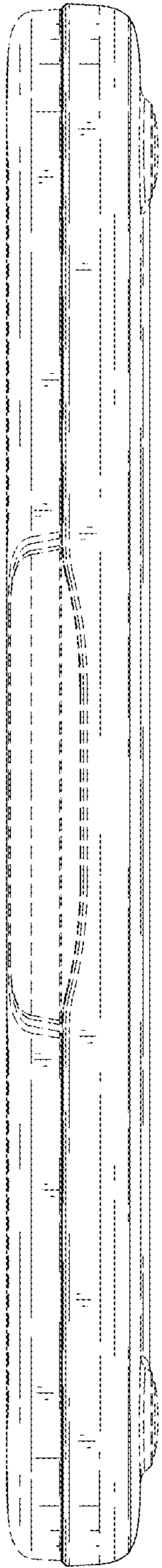


FIG. 5

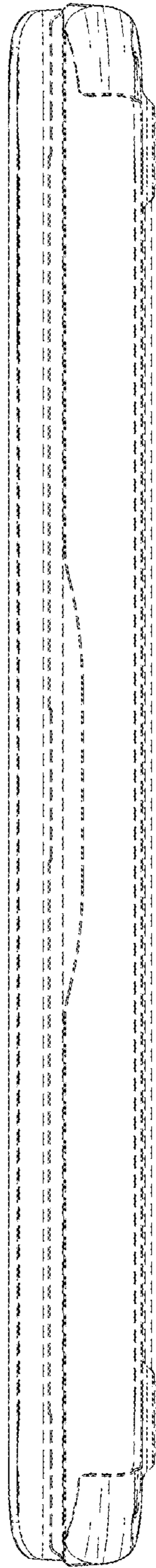


FIG. 6

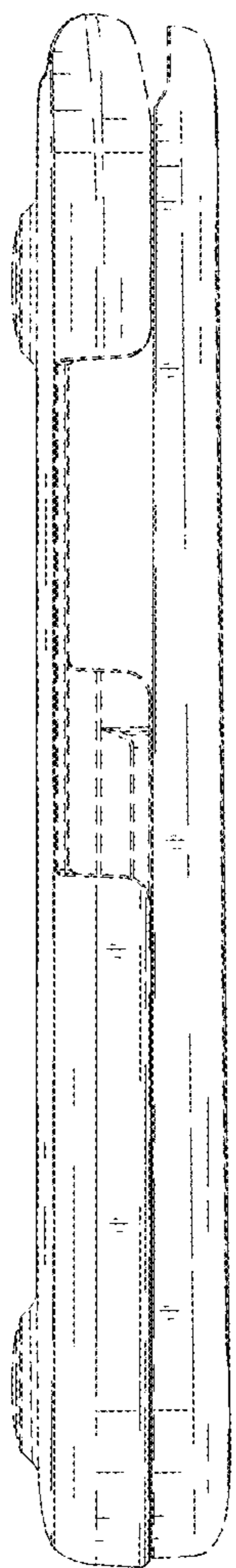


FIG. 7

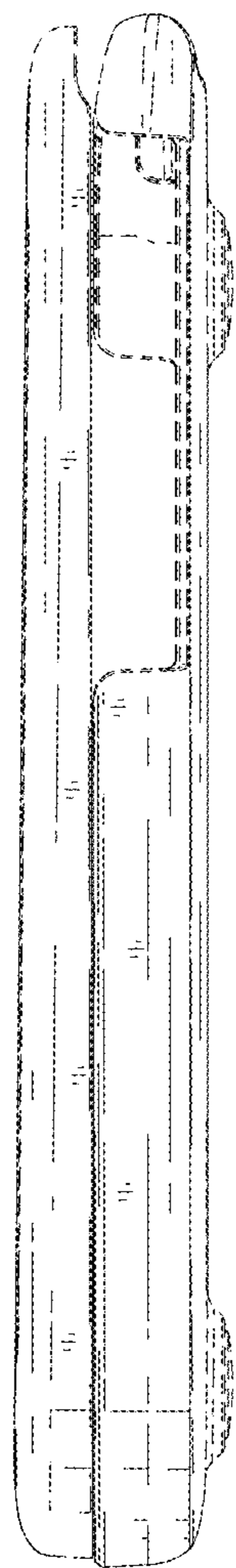


FIG. 8