



US00D964993S

(12) **United States Design Patent** (10) **Patent No.:** **US D964,993 S**
Xu (45) **Date of Patent:** **** Sep. 27, 2022**

(54) **TABLET CASE**

(71) Applicant: **Ying Xu**, Xinjiang (CN)

(72) Inventor: **Ying Xu**, Xinjiang (CN)

(**) Term: **15 Years**

(21) Appl. No.: **29/803,739**

(22) Filed: **Aug. 16, 2021**

(51) **LOC (13) Cl.** **14-02**

(52) **U.S. Cl.**
USPC **D14/440**

(58) **Field of Classification Search**
USPC D14/440, 447; D3/276
CPC . A45C 11/34; A45C 15/00; G06F 1/20; G06F
1/203

See application file for complete search history.

(56) **References Cited**

U.S. PATENT DOCUMENTS

D689,056 S *	9/2013	Li	D14/440
D690,704 S *	10/2013	Padilla	D14/440
D763,853 S *	8/2016	Pearce	D14/440
D806,080 S *	12/2017	Chen	D14/440
D811,412 S *	2/2018	McCurdy	D14/440
D821,405 S *	6/2018	Chen	D14/440
D854,022 S *	7/2019	Chen	D14/440
D858,507 S *	9/2019	Jang	D14/251
D862,478 S *	10/2019	Ahn	D14/440
D879,104 S *	3/2020	Li	D14/440
D879,105 S *	3/2020	Li	D14/440
D881,196 S *	4/2020	Zanxiang	D14/440
D881,197 S *	4/2020	Chen	D14/440
D884,709 S *	5/2020	Cheng	D14/440
D886,109 S *	6/2020	Li	D14/440
D897,349 S *	9/2020	Li	D14/440
D898,035 S *	10/2020	Xu	D14/440
D906,336 S *	12/2020	Li	D14/440

D910,644 S	2/2021	Li	
D918,924 S	5/2021	Xu	
D949,867 S *	4/2022	Wu D14/440
2017/0045920 A1 *	2/2017	Armstrong G06F 1/1669

FOREIGN PATENT DOCUMENTS

KR 300635178.0000 * 3/2012

OTHER PUBLICATIONS

Brenthaven tablet case, Tineye image date 2021, site visited Aug. 11, 2022, [https://www.cdw.com/product/brenthaven-edge-360-protective-case-for-tablet/5968117?gclid . . . *](https://www.cdw.com/product/brenthaven-edge-360-protective-case-for-tablet/5968117?gclid...)

* cited by examiner

Primary Examiner — John R Yeh
(74) *Attorney, Agent, or Firm* — ScienBiziP, P.C.

(57) **CLAIM**

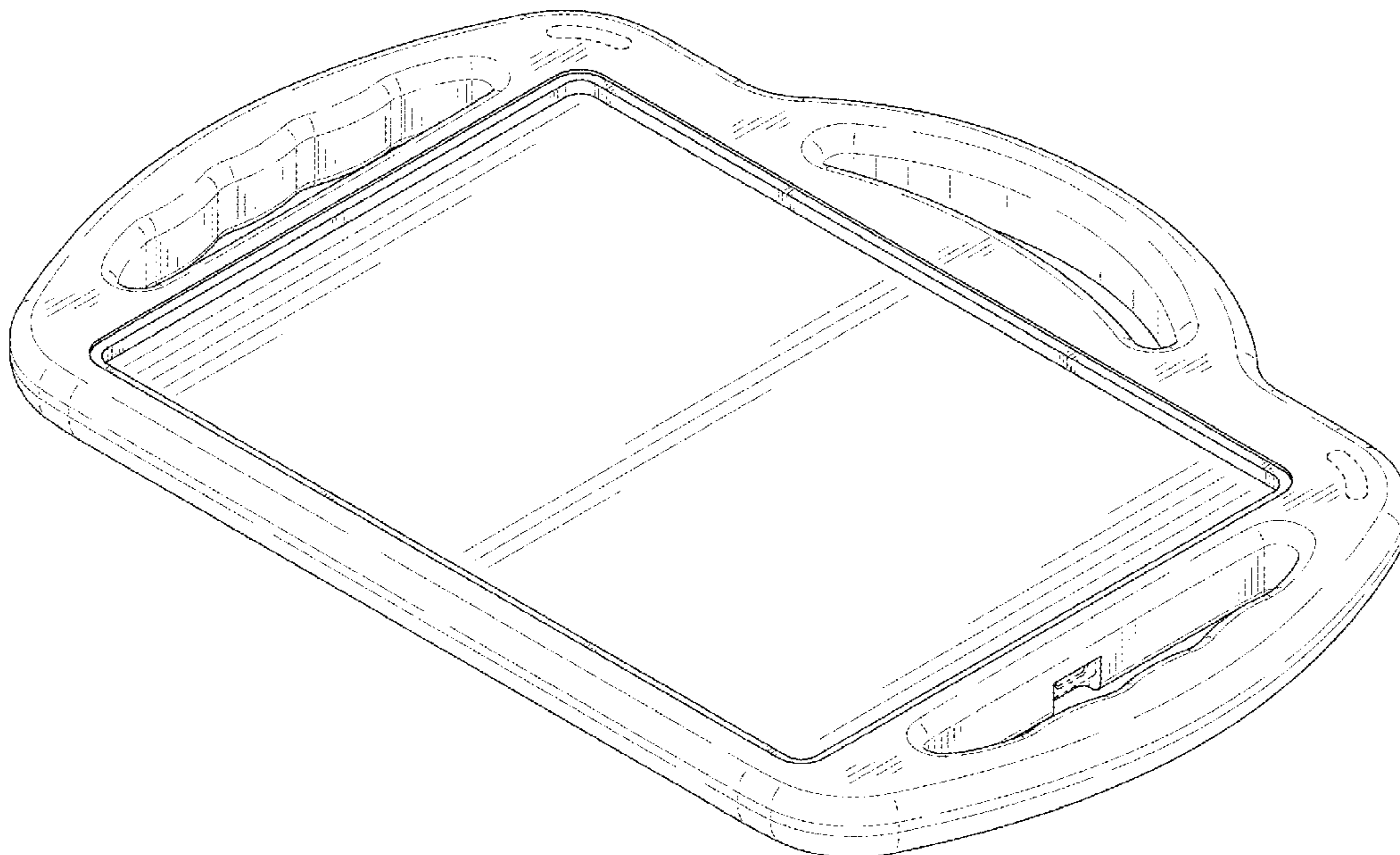
The ornamental design for a tablet case, as shown and described.

DESCRIPTION

FIG. 1 is a front, right, and bottom perspective view of a tablet case, showing my design.
FIG. 2 is a rear, right, and top perspective view thereof.
FIG. 3 is a front elevation view thereof.
FIG. 4 is a rear elevation view thereof.
FIG. 5 is a left side elevation view thereof.
FIG. 6 is a right side elevation view thereof.
FIG. 7 is a top plan view thereof.
FIG. 8 is a bottom plan view thereof; and,
FIG. 9 is a rear, left, and top perspective view thereof, comprising a supporting plate of the tablet case in an open state.

The broken lines shown in the drawings are included for the purpose of illustrating portions of the tablet case that form no part of the claimed design.

1 Claim, 9 Drawing Sheets



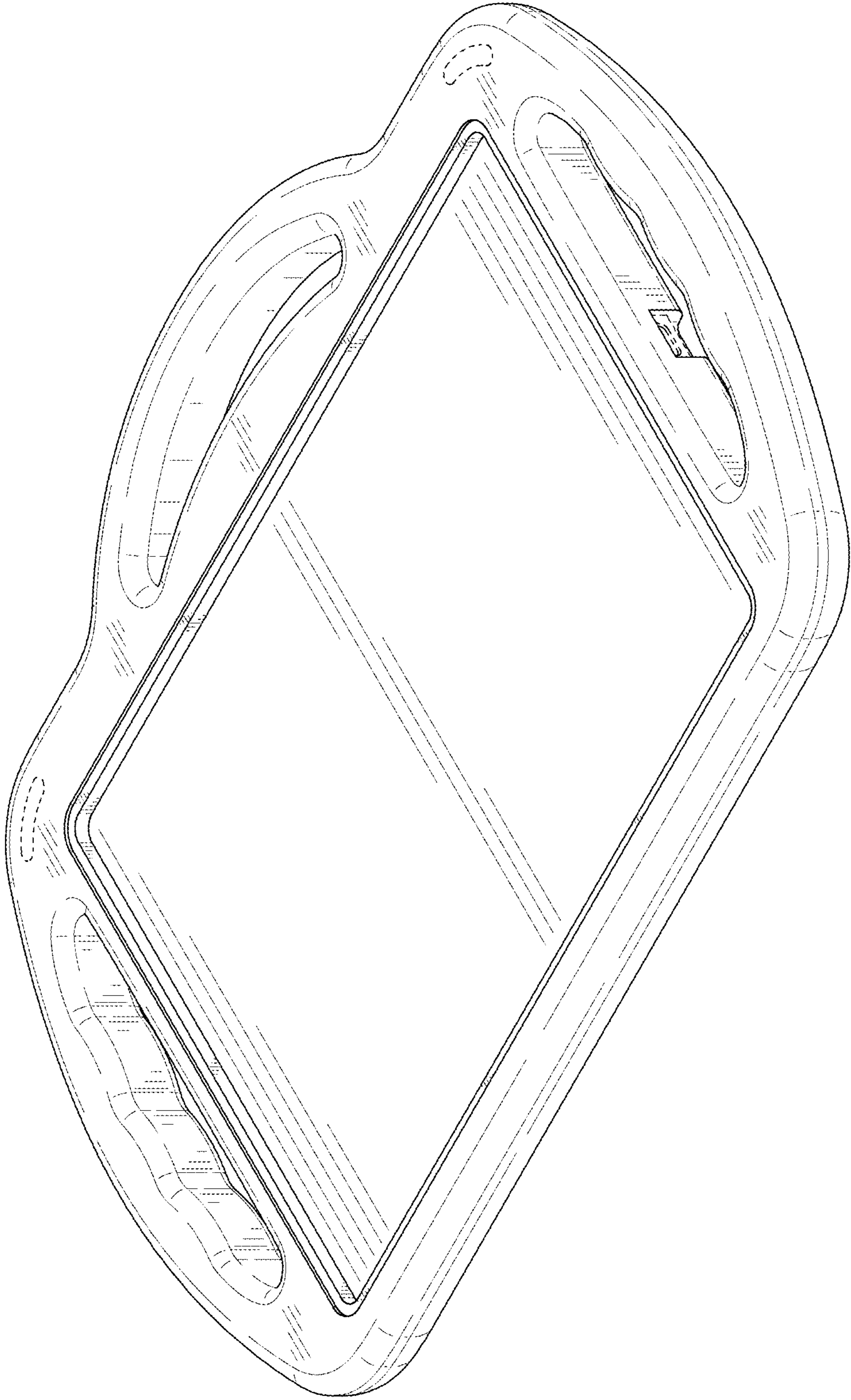


FIG. 1

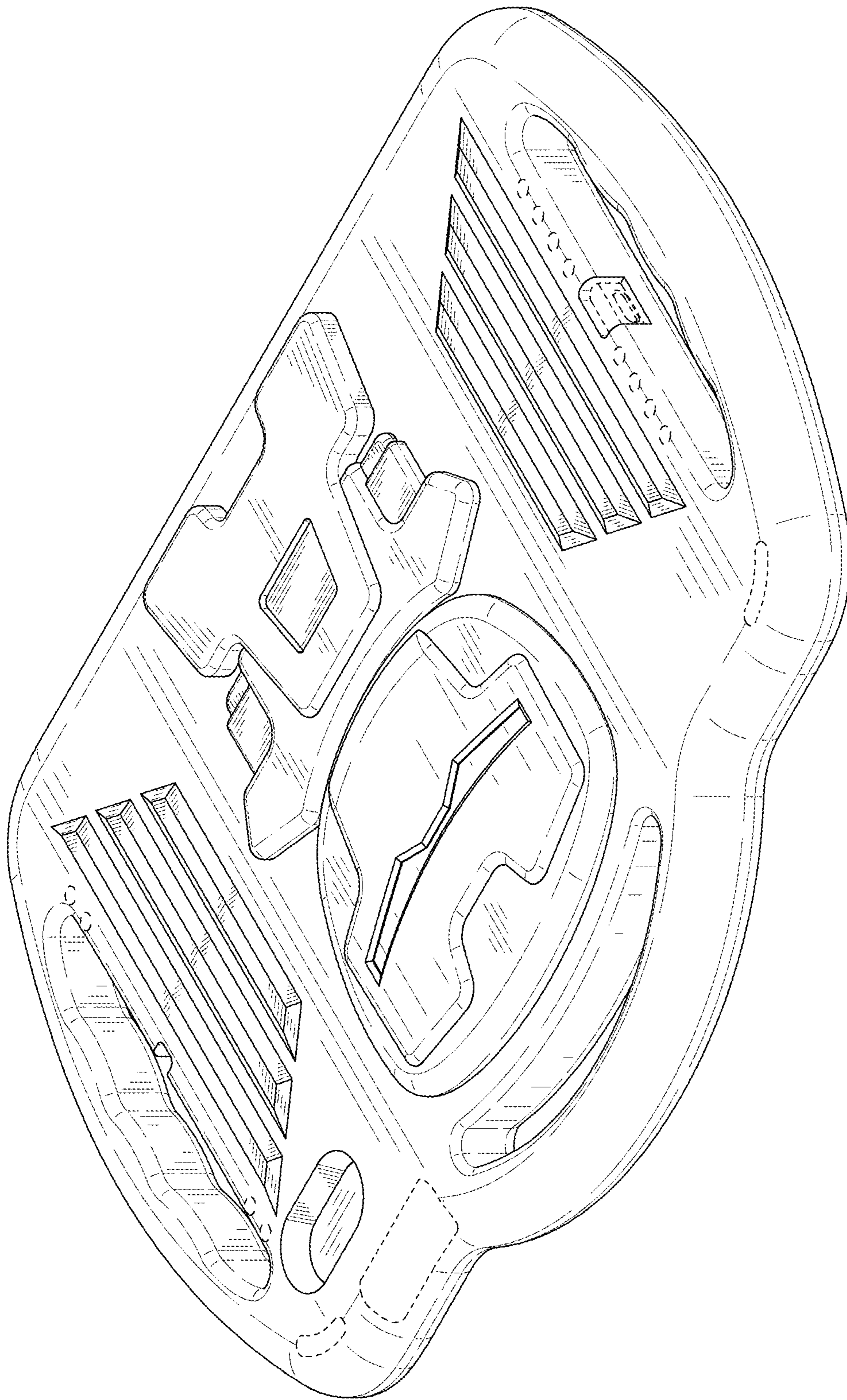


FIG. 2

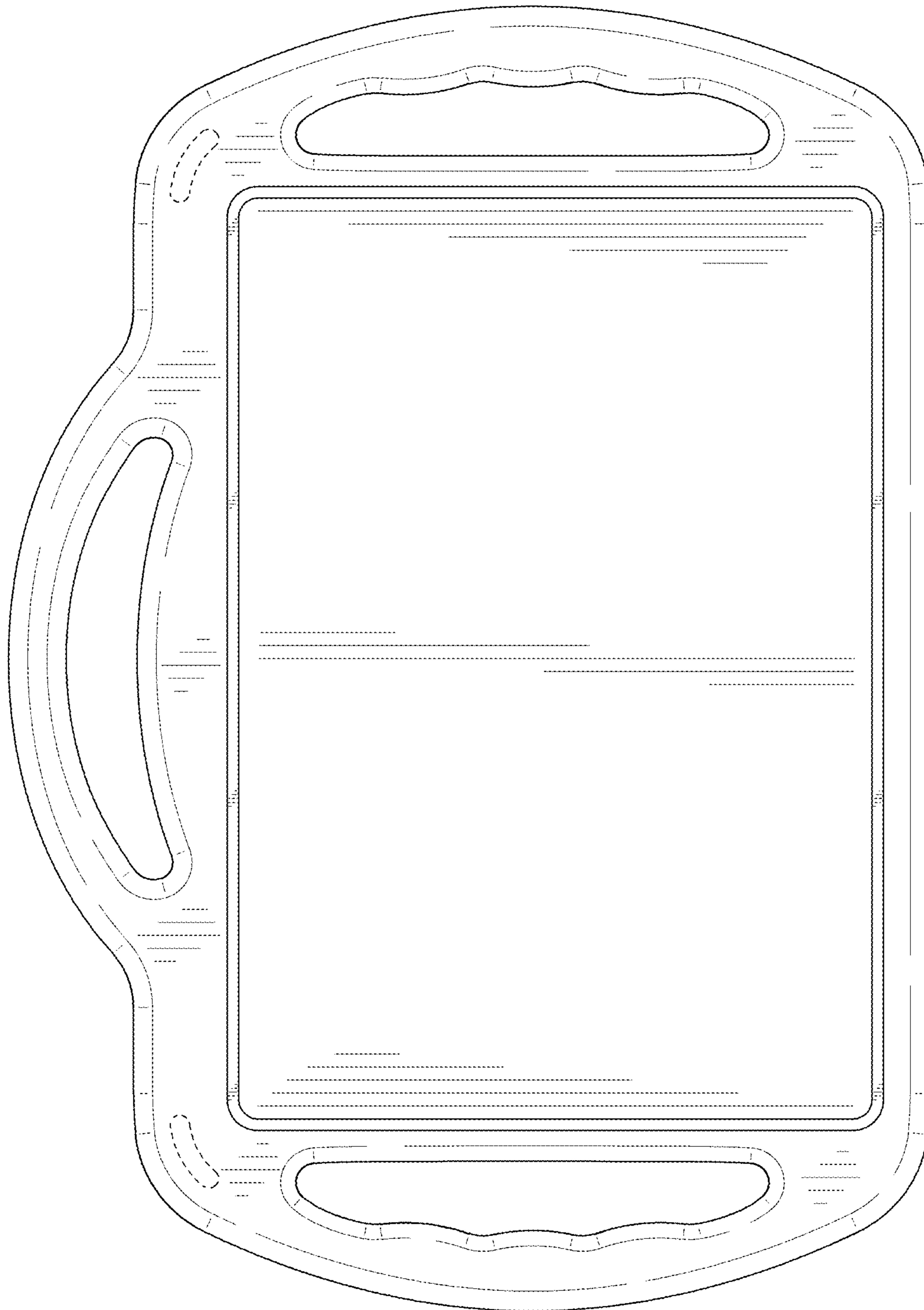


FIG. 3

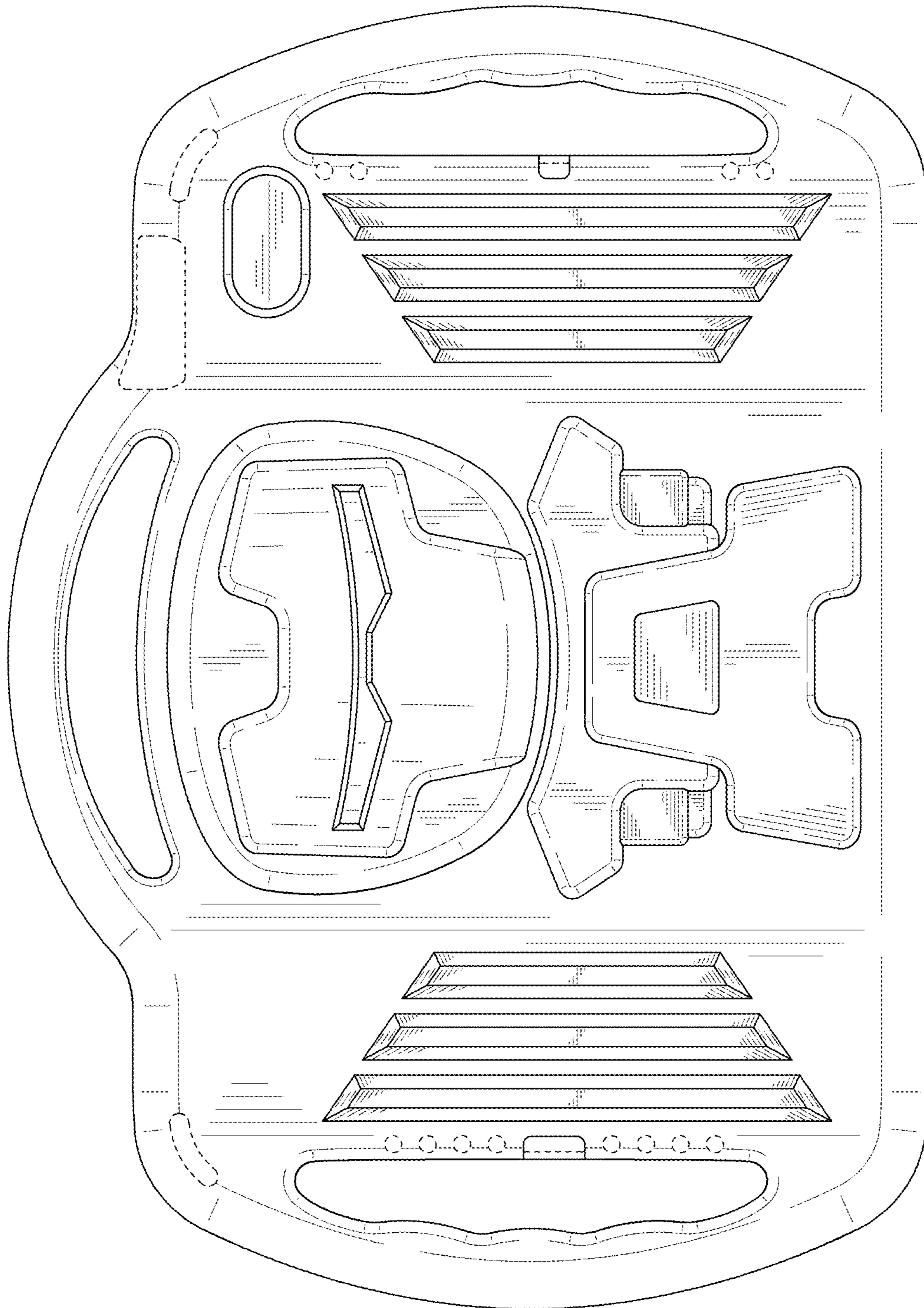


FIG. 4

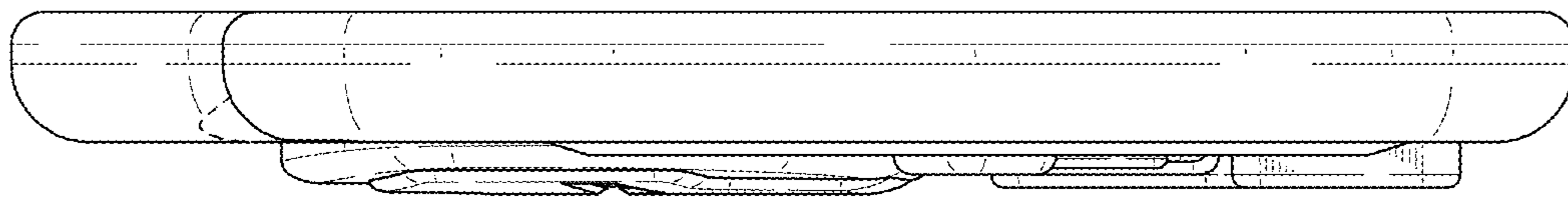


FIG. 5

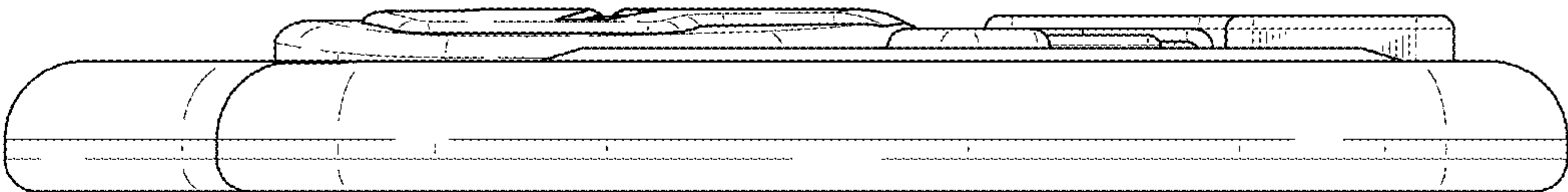


FIG. 6

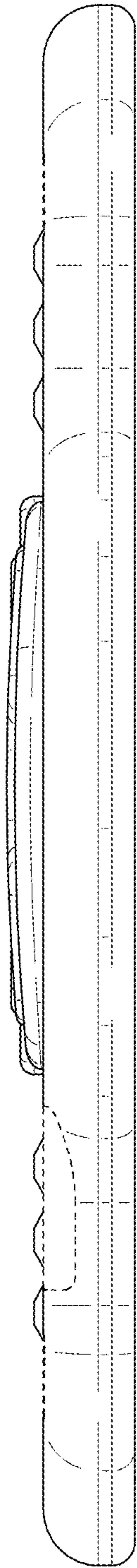


FIG. 7

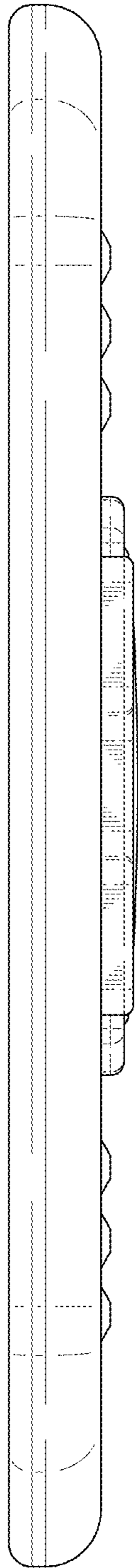


FIG. 8

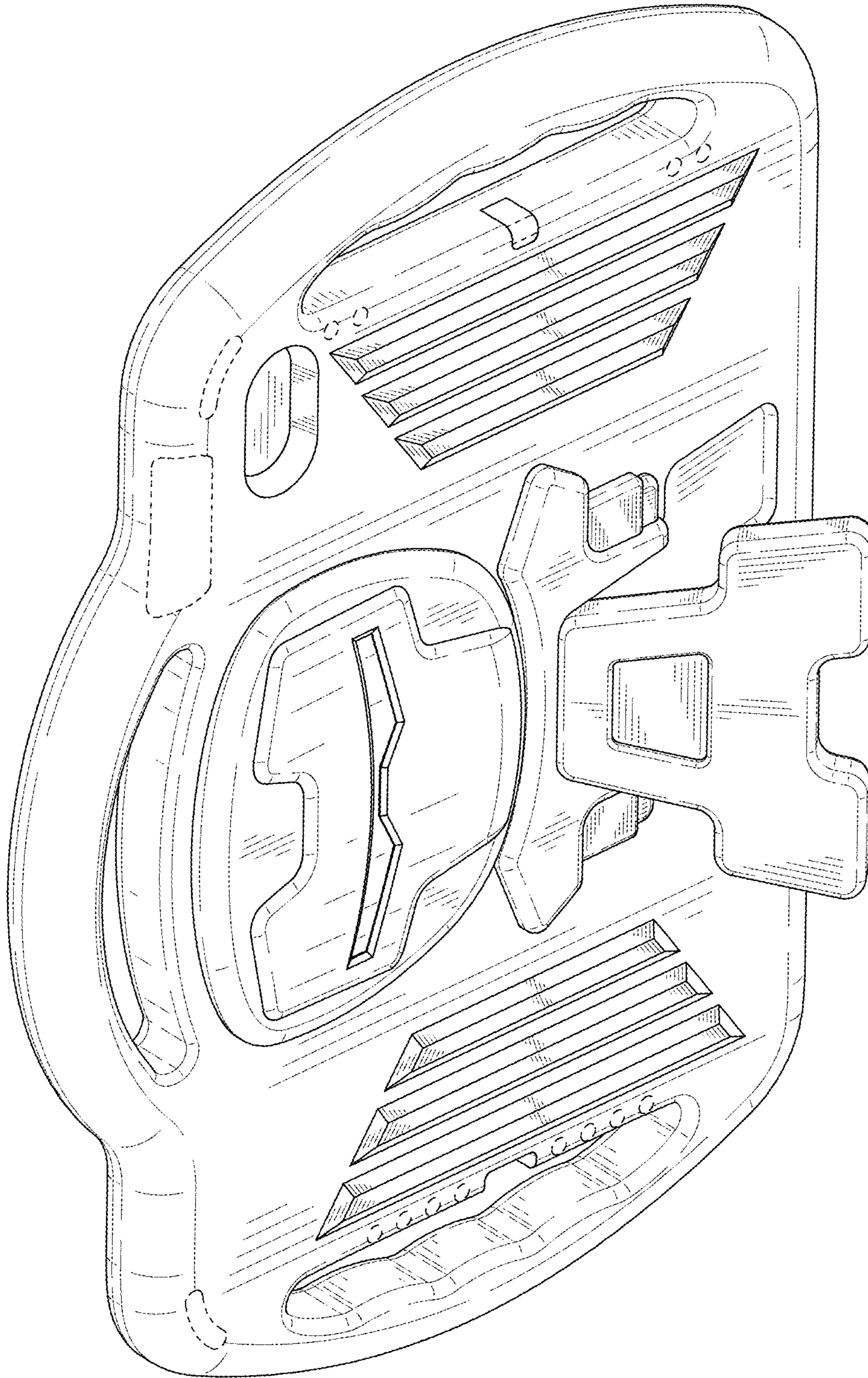


FIG. 9