

US00D964992S

(12) **United States Design Patent** (10) **Patent No.:** **US D964,992 S**
Xu (45) **Date of Patent:** **** Sep. 27, 2022**

(54) **PORTABLE ELECTRONIC DEVICE CASE**

(71) Applicant: **Zhaoyi Xu**, Shenzhen (CN)

(72) Inventor: **Zhaoyi Xu**, Shenzhen (CN)

(**) Term: **15 Years**

(21) Appl. No.: **29/792,193**

(22) Filed: **Mar. 10, 2022**

(51) **LOC (13) Cl.** **14-02**

(52) **U.S. Cl.**
USPC **D14/440**

(58) **Field of Classification Search**
USPC D14/440, 447, 250; 361/679.55;
206/45.23, 320, 45.2; 294/25;
455/575.8; D3/294

CPC ... G06F 1/1628; G06F 1/1626; A47B 23/044;
A45C 11/00

See application file for complete search history.

(56) **References Cited**

U.S. PATENT DOCUMENTS

D685,786 S *	7/2013	Seoc	D14/353
D690,292 S *	9/2013	Bibla	D14/250
D733,154 S *	6/2015	Armstrong	D14/440
D768,123 S *	10/2016	Armstrong	D14/250
D794,626 S *	8/2017	Armstrong	D14/250
D806,082 S *	12/2017	Armstrong	D14/440
D808,973 S *	1/2018	Chen	D14/440
D831,030 S *	10/2018	Gao	D14/440
D832,269 S *	10/2018	Cheng	D14/440
10,148,307 B2 *	12/2018	Shannon, III	G06F 1/1643
D844,621 S *	4/2019	Chen	D14/440
D847,817 S *	5/2019	Cheng	D14/440
D850,451 S *	6/2019	Chen	D14/440
D850,453 S *	6/2019	Wu	D14/440
D851,648 S *	6/2019	Tan	D14/440
D852,203 S *	6/2019	Rui	D14/447
D868,788 S *	12/2019	Weng	D14/440
D868,789 S *	12/2019	Weng	D14/440

D868,791 S *	12/2019	Weng	D14/440
D879,788 S *	3/2020	Gao	D14/440
D885,403 S *	5/2020	Ma	D14/440
D889,451 S *	7/2020	Chiang	D14/250
D900,828 S *	11/2020	Chen	D14/440
D902,216 S *	11/2020	Xu	D14/440
D917,491 S *	4/2021	Cheng	D14/440
D920,982 S *	6/2021	Xu	
D930,002 S *	9/2021	Zhou	D14/440
D943,591 S *	2/2022	Zhu	D14/440
2019/0149808 A1 *	5/2019	Ng	H04N 13/327 348/59

(Continued)

Primary Examiner — Cynthia R Underwood

(57) **CLAIM**

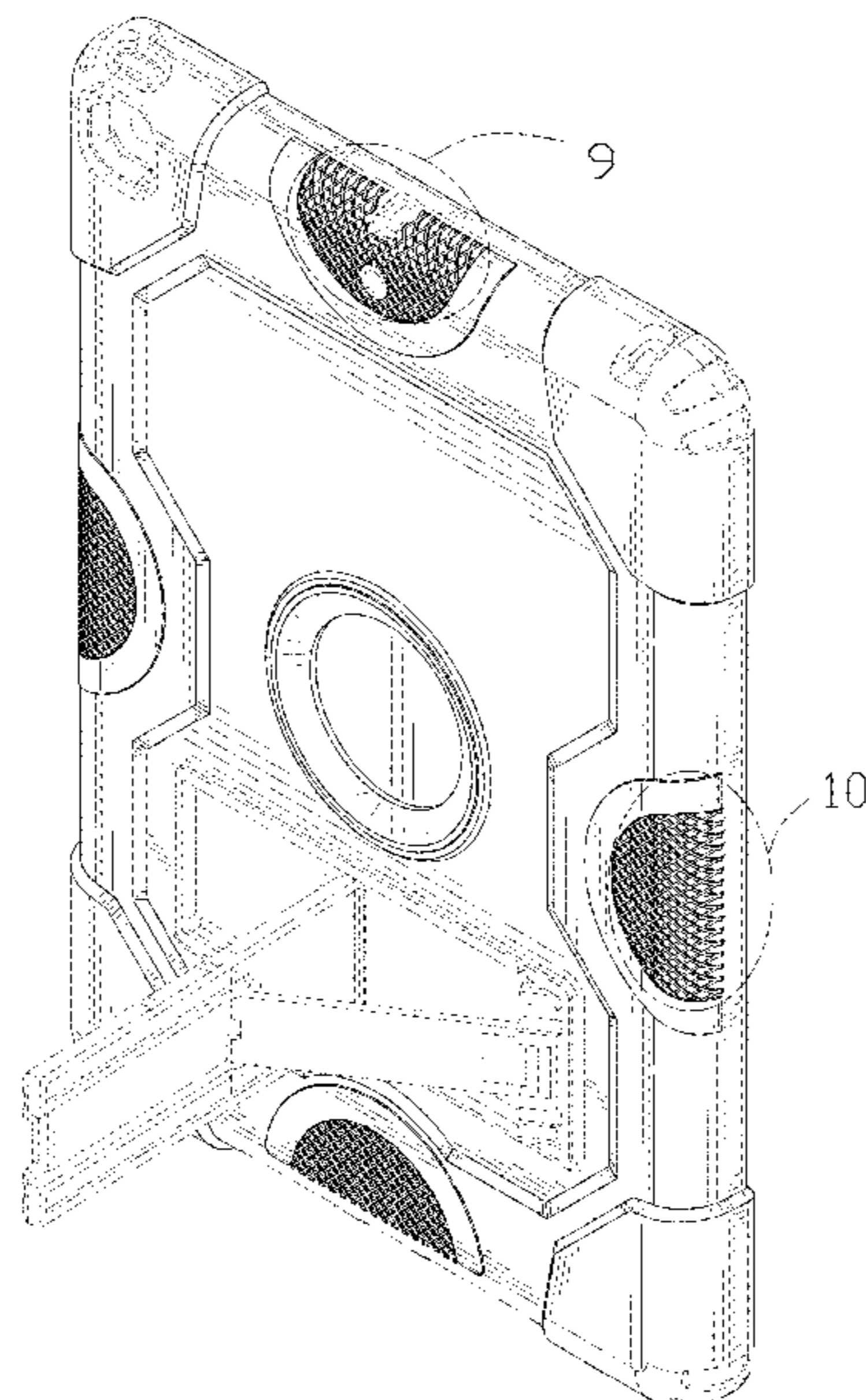
The ornamental design for a portable electronic device case, as shown and described.

DESCRIPTION

FIG. 1 is a rear and top perspective view of a portable electronic device case, showing my new design;
 FIG. 2 is a front and top perspective view thereof;
 FIG. 3 is a front elevation view thereof;
 FIG. 4 is a rear elevation view thereof;
 FIG. 5 is a left side elevation view thereof;
 FIG. 6 is a right side elevation view thereof;
 FIG. 7 is a top plan view thereof;
 FIG. 8 is a bottom plan view thereof;
 FIG. 9 is an enlarged view of a portion indicated with numeric 9 in FIG. 1; and,
 FIG. 10 is an enlarged view of a portion indicated with numeric 10 in FIG. 1.

The broken lines in the figures illustrate portions of the portable electronic device case that form no part of the claimed design. The dash dot dash lines in FIGS. 1, 9 and 10 are for the purpose of depicting the boundary lines of the enlarged views and form no part of the claimed design.

1 Claim, 10 Drawing Sheets



(56)

References Cited

U.S. PATENT DOCUMENTS

2019/0275714 A1* 9/2019 Kanoh B29C 45/14311

* cited by examiner

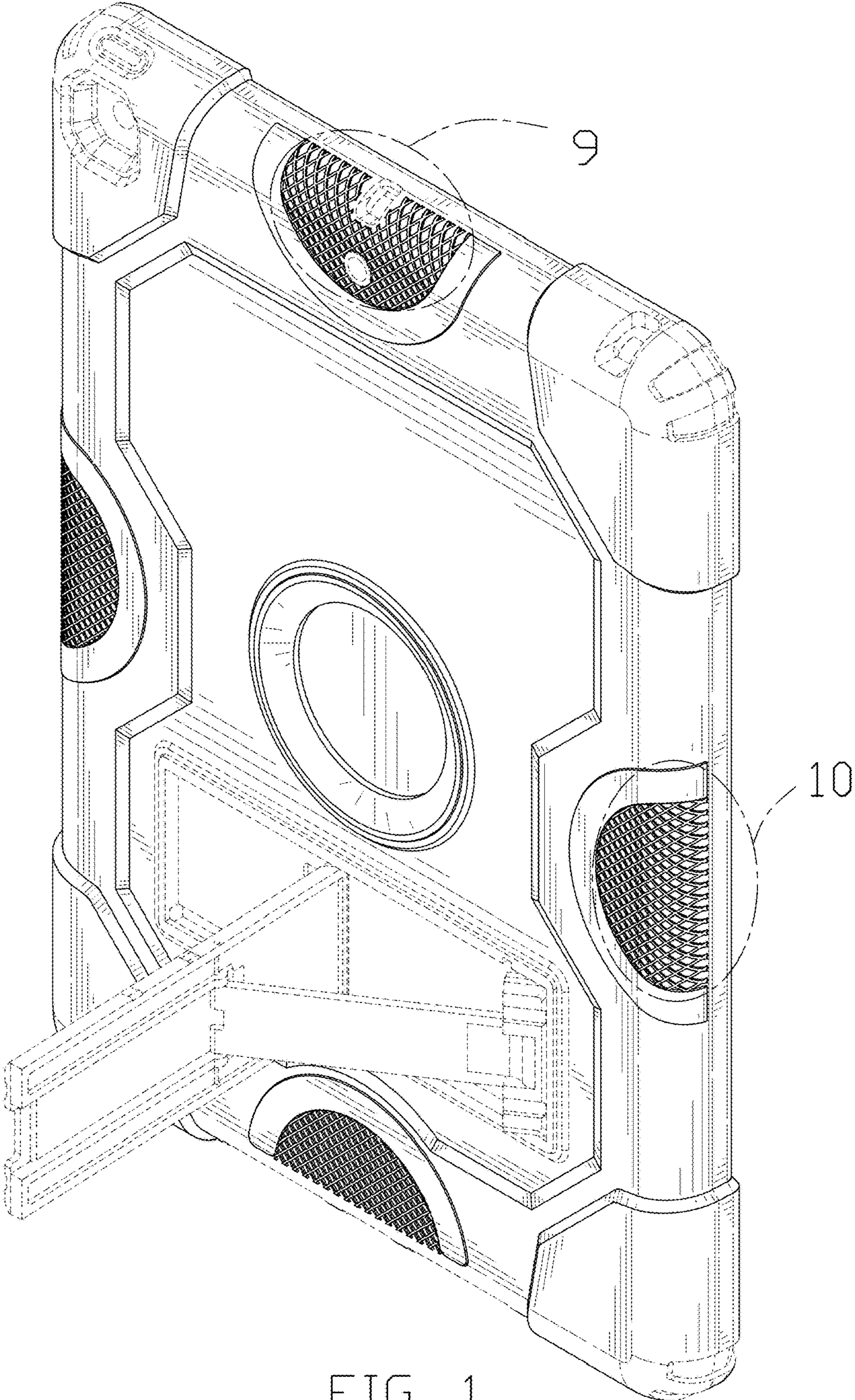


FIG. 1

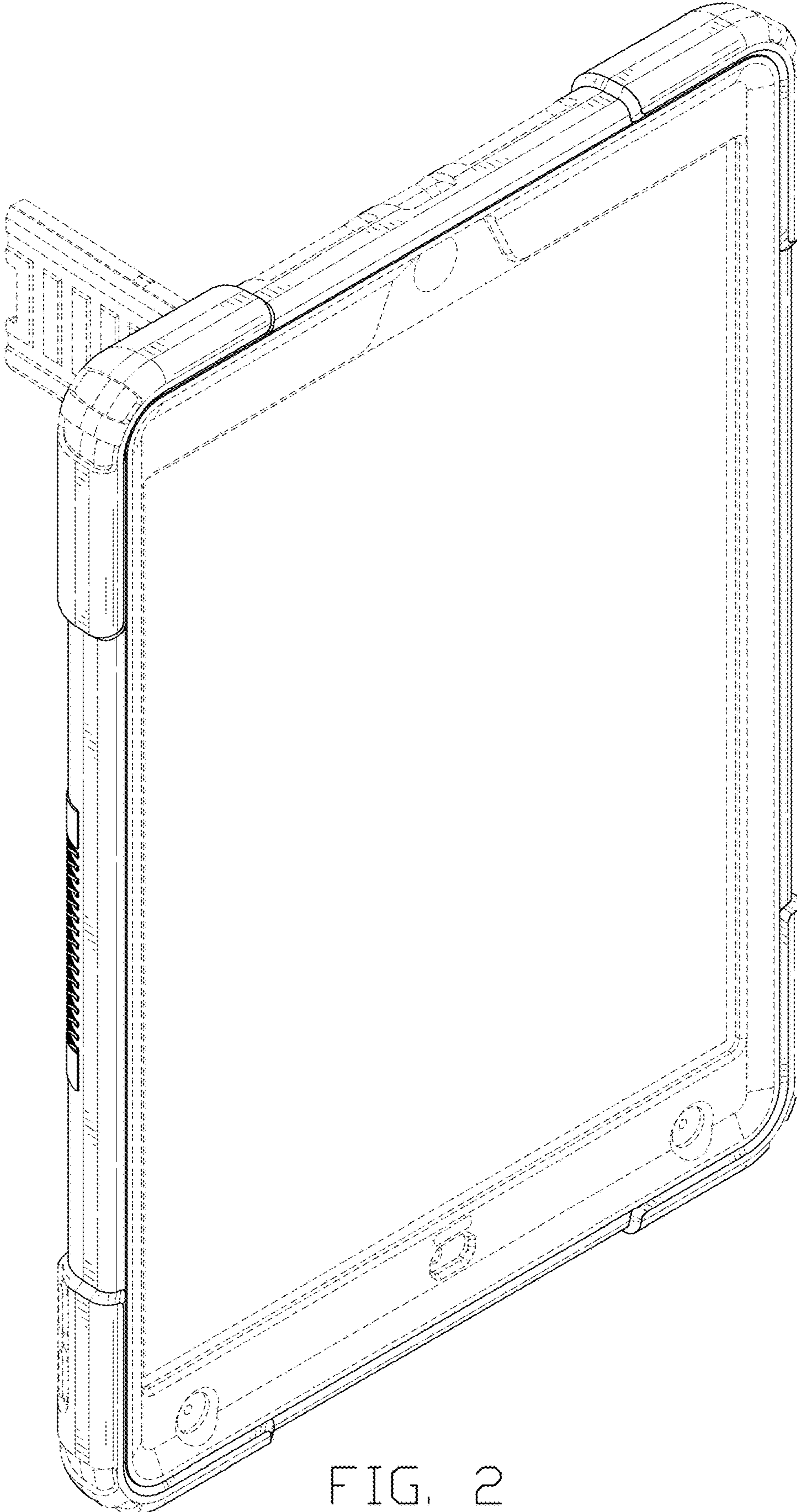


FIG. 2

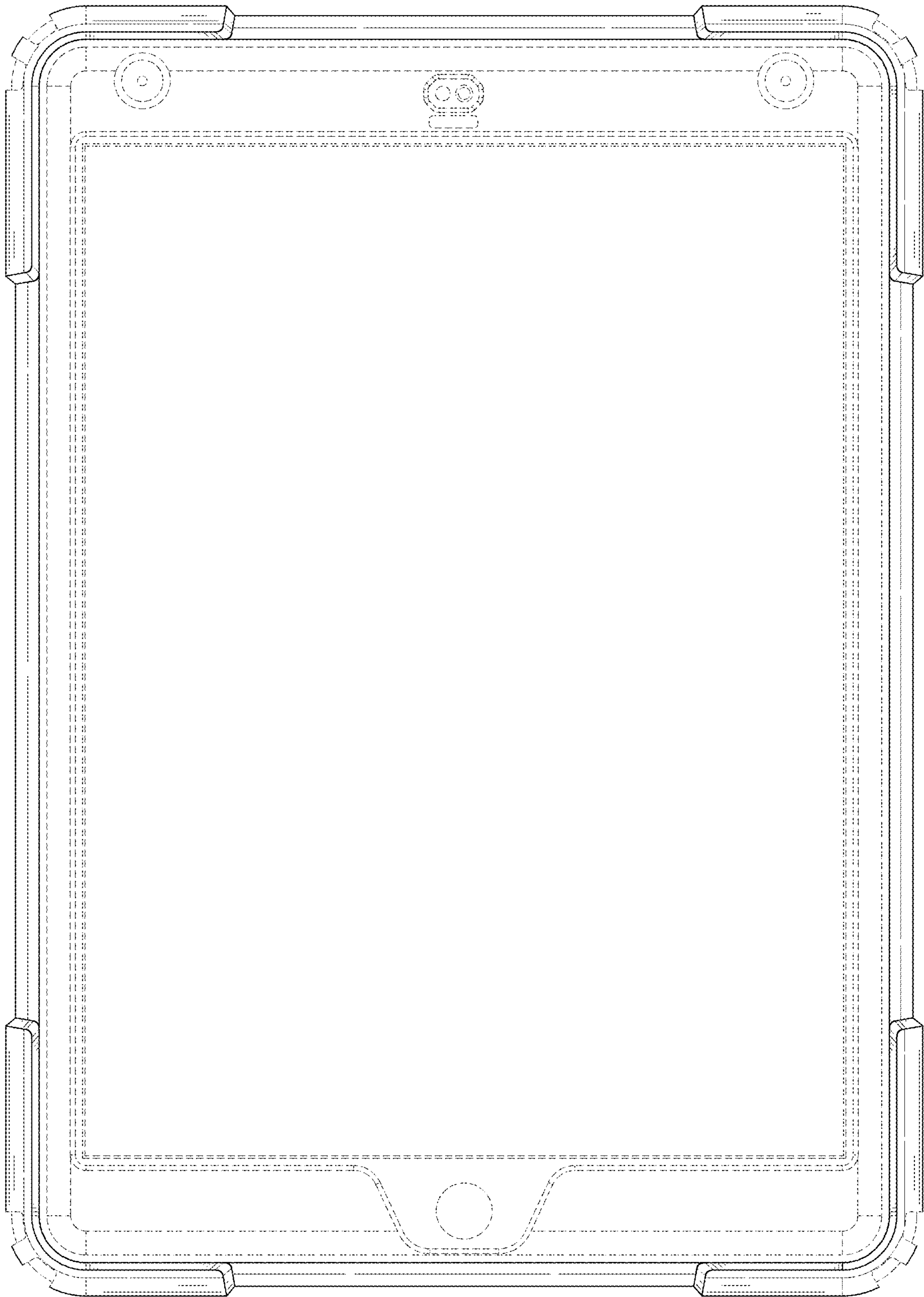


FIG. 3

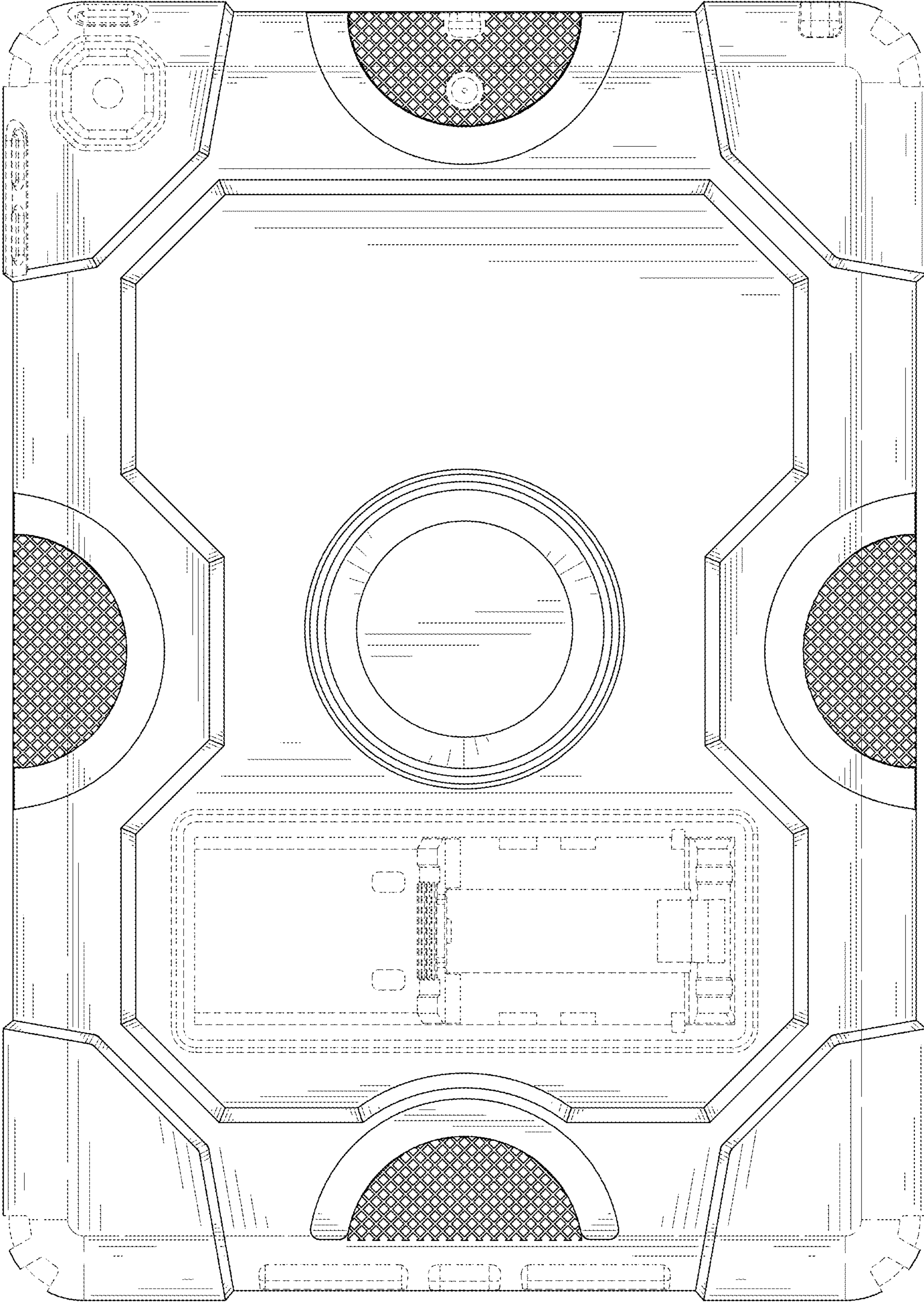


FIG. 4

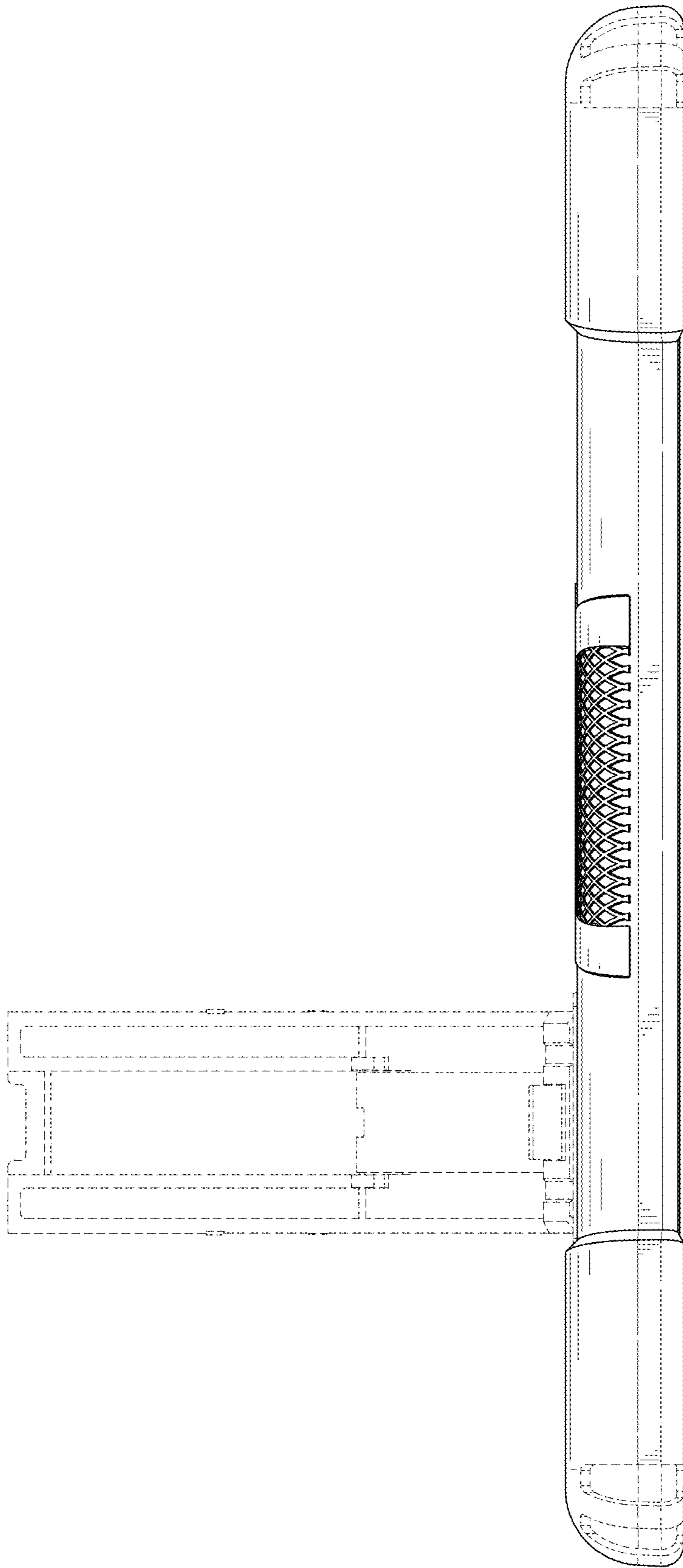


FIG. 5

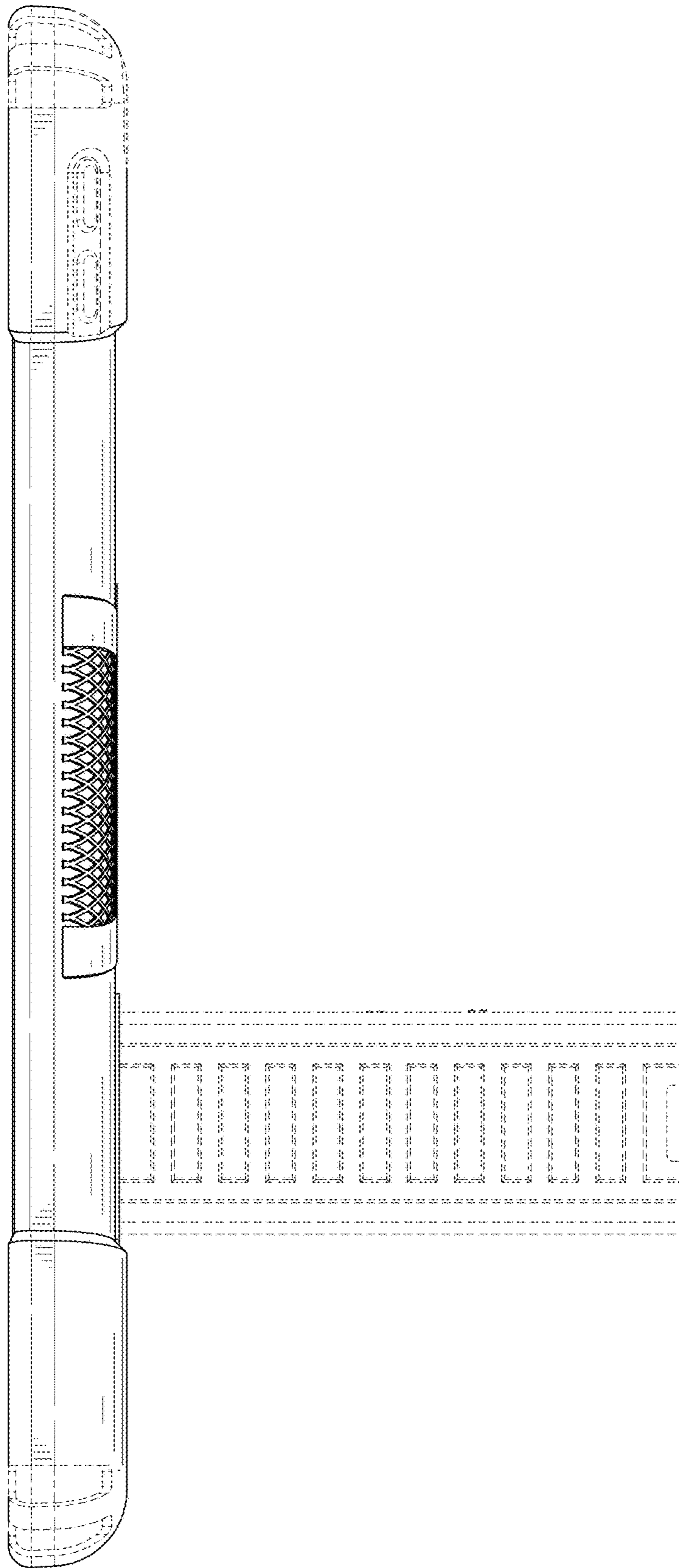


FIG. 6

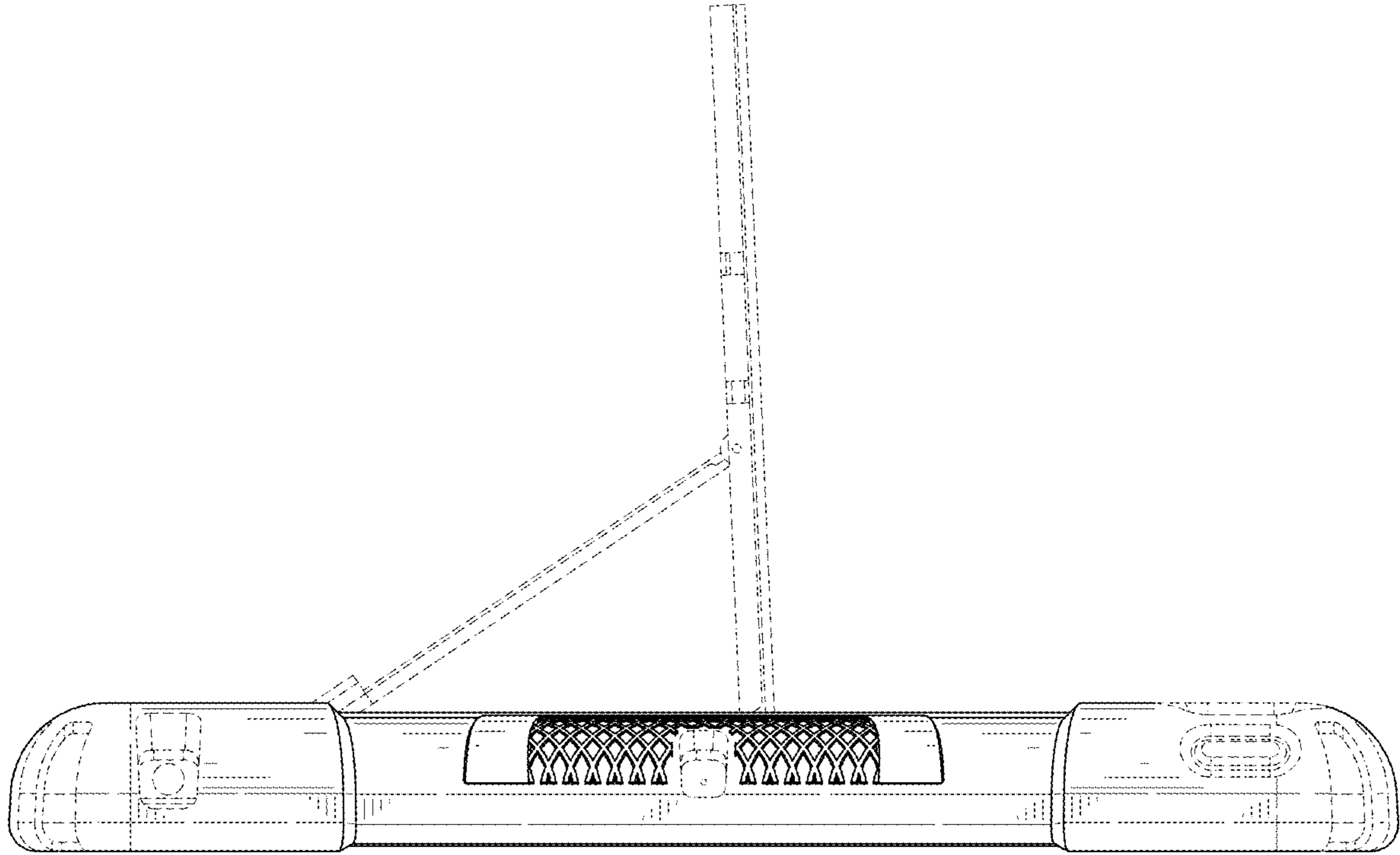


FIG. 7

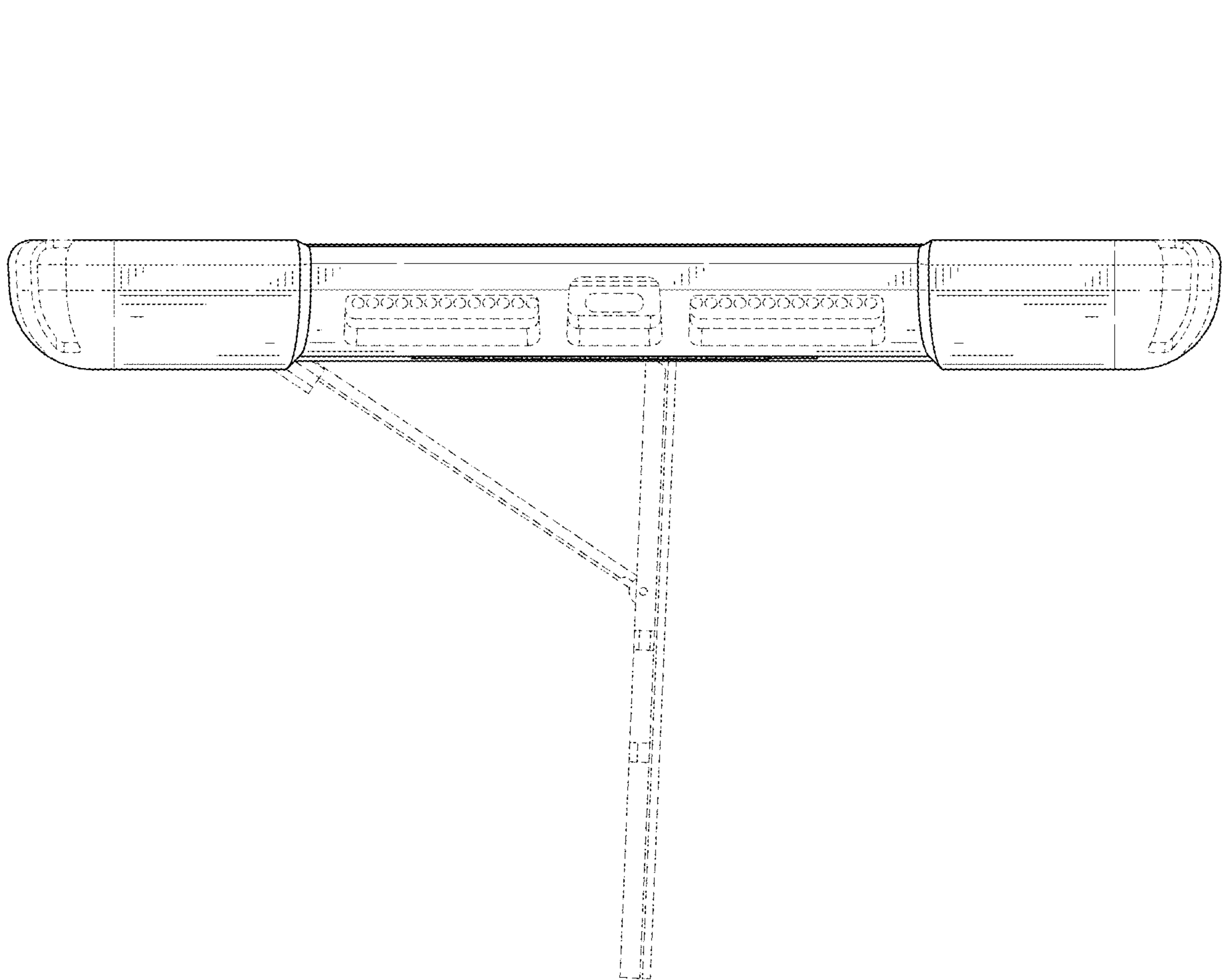


FIG. 8

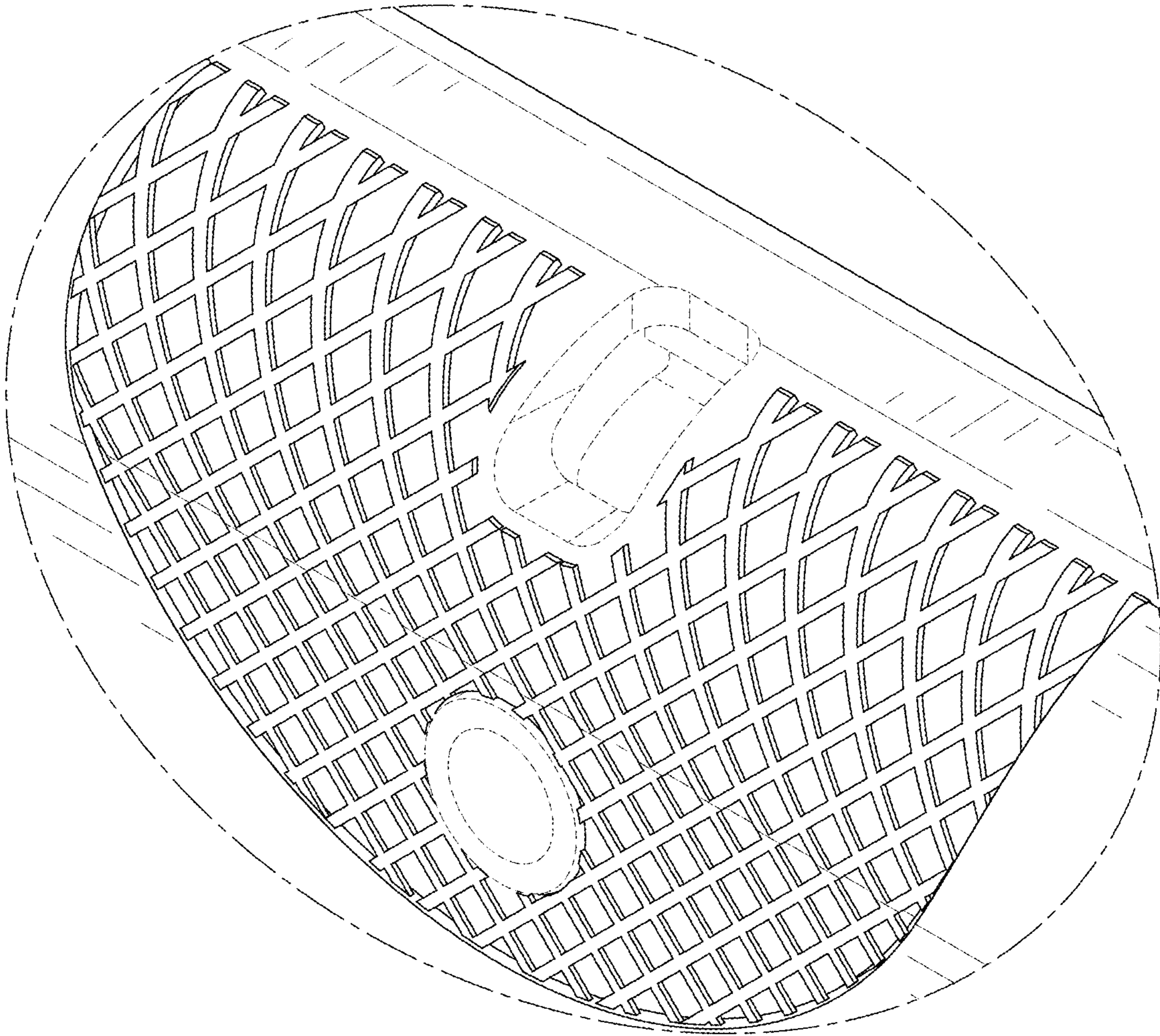


FIG. 9

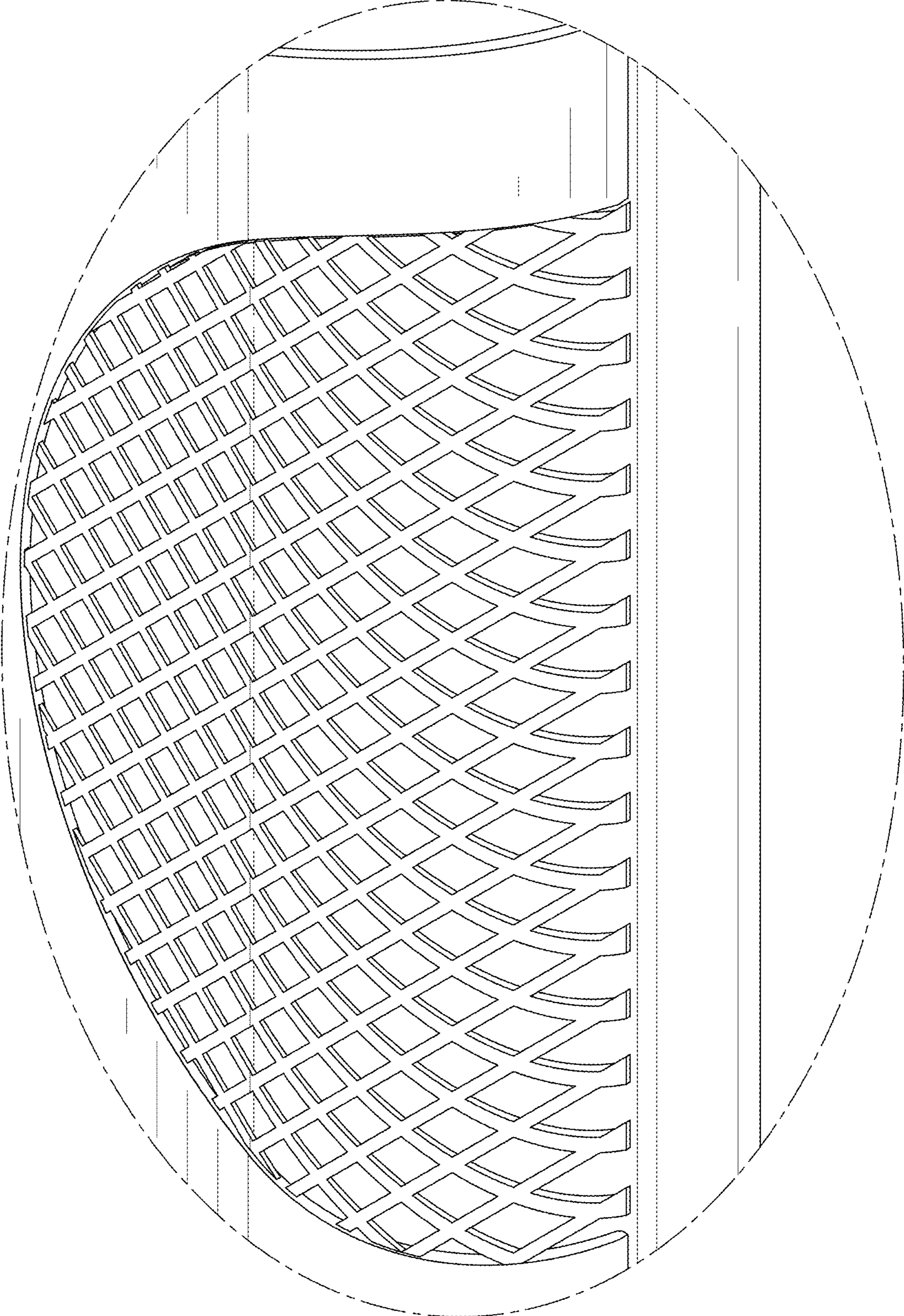


FIG. 10