

US00D964991S

(12) **United States Design Patent** (10) **Patent No.:** **US D964,991 S**
Xu (45) **Date of Patent:** **** Sep. 27, 2022**

(54) **PORTABLE ELECTRONIC DEVICE CASE**

D946,579 S * 3/2022 Tan D14/440
D949,153 S * 4/2022 Chen D14/440
D951,959 S * 5/2022 Qu D14/440

(71) Applicant: **Zhaoyi Xu**, Shenzhen (CN)

(72) Inventor: **Zhaoyi Xu**, Shenzhen (CN)

(**) Term: **15 Years**

(21) Appl. No.: **29/791,430**

(22) Filed: **Jan. 11, 2022**

(51) **LOC (13) Cl.** **14-02**

(52) **U.S. Cl.**
USPC **D14/440**

(58) **Field of Classification Search**
USPC D14/440, 447, 250; 361/679.55;
206/45.23, 320, 45.2; 294/25;
455/575.8; D3/294
CPC ... G06F 1/1628; G06F 1/1626; A47B 23/044;
A45C 11/00

See application file for complete search history.

(56) **References Cited**

U.S. PATENT DOCUMENTS

D606,986	S	*	12/2009	de Jong	D3/201
D620,000	S	*	7/2010	Bau	D14/250
D643,843	S	*	8/2011	Hsieh	D14/440
D660,305	S	*	5/2012	Ho	D14/447
D711,886	S	*	8/2014	Kerawala	D14/440
D747,321	S	*	1/2016	London	D14/440
D851,649	S	*	6/2019	Tan	D14/440
D900,828	S	*	11/2020	Chen	D14/440
D920,982	S	*	6/2021	Xu	D14/440
D924,877	S	*	7/2021	Weng	D14/440
D930,002	S	*	9/2021	Zhou	D14/440
D930,653	S	*	9/2021	Armstrong	D14/440
D937,275	S	*	11/2021	Cheng	D14/440
D943,591	S	*	2/2022	Zhu	D14/440
D944,256	S	*	2/2022	Cheng	D14/440

OTHER PUBLICATIONS

Zhaoyi Xu and Portable Electronic Device Case https://www.amazon.com/dp/B09FLSGFZS?ref=myi_title_dp https://www.amazon.com/dp/B09FLS91TQ?ref=myi_title_dp
https://www.amazon.com/dp/B09FLSGFZS?ref=myi_title_dp
https://www.amazon.com/dp/B09FLS91TQ?ref=myi_title_dp

* cited by examiner

Primary Examiner — Cynthia R Underwood

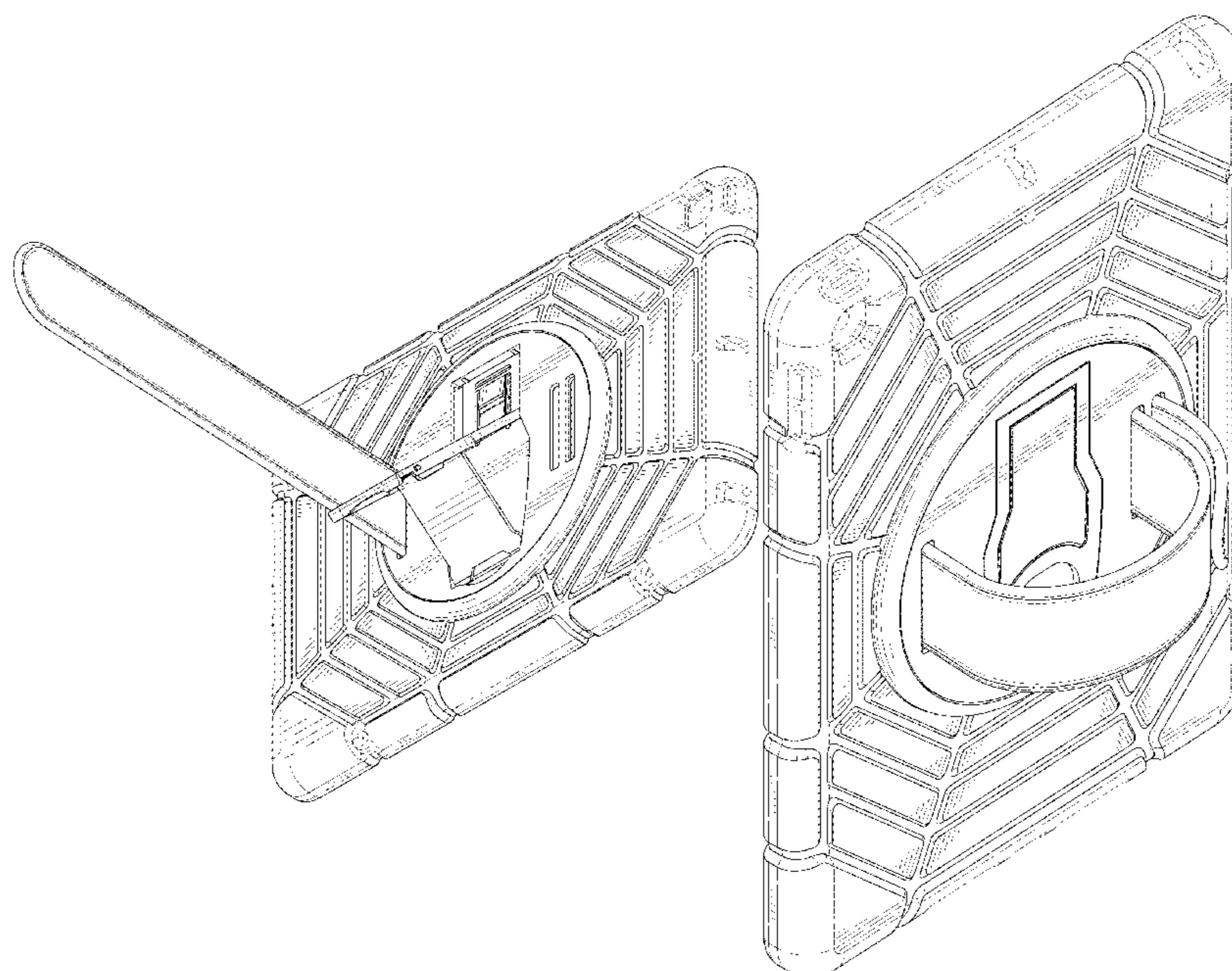
(57) **CLAIM**

The ornamental design for a portable electronic device case, as shown and described.

DESCRIPTION

FIG. 1 is a front and top perspective view of a portable electronic device case, showing my new design; FIG. 2 is a rear and bottom perspective view thereof; FIG. 3 is a front elevation view thereof; FIG. 4 is a rear elevation view thereof; FIG. 5 is a left side elevation view thereof; FIG. 6 is a right side elevation view thereof; FIG. 7 is a top plan view thereof; FIG. 8 is a bottom plan view thereof; FIG. 9 is another perspective view thereof, shown in an alternative position; and, FIG. 10 is another perspective view thereof, shown in an alternative position. The broken lines in the figures illustrate portions of the portable electronic device case that form no part of the claimed design.

1 Claim, 10 Drawing Sheets



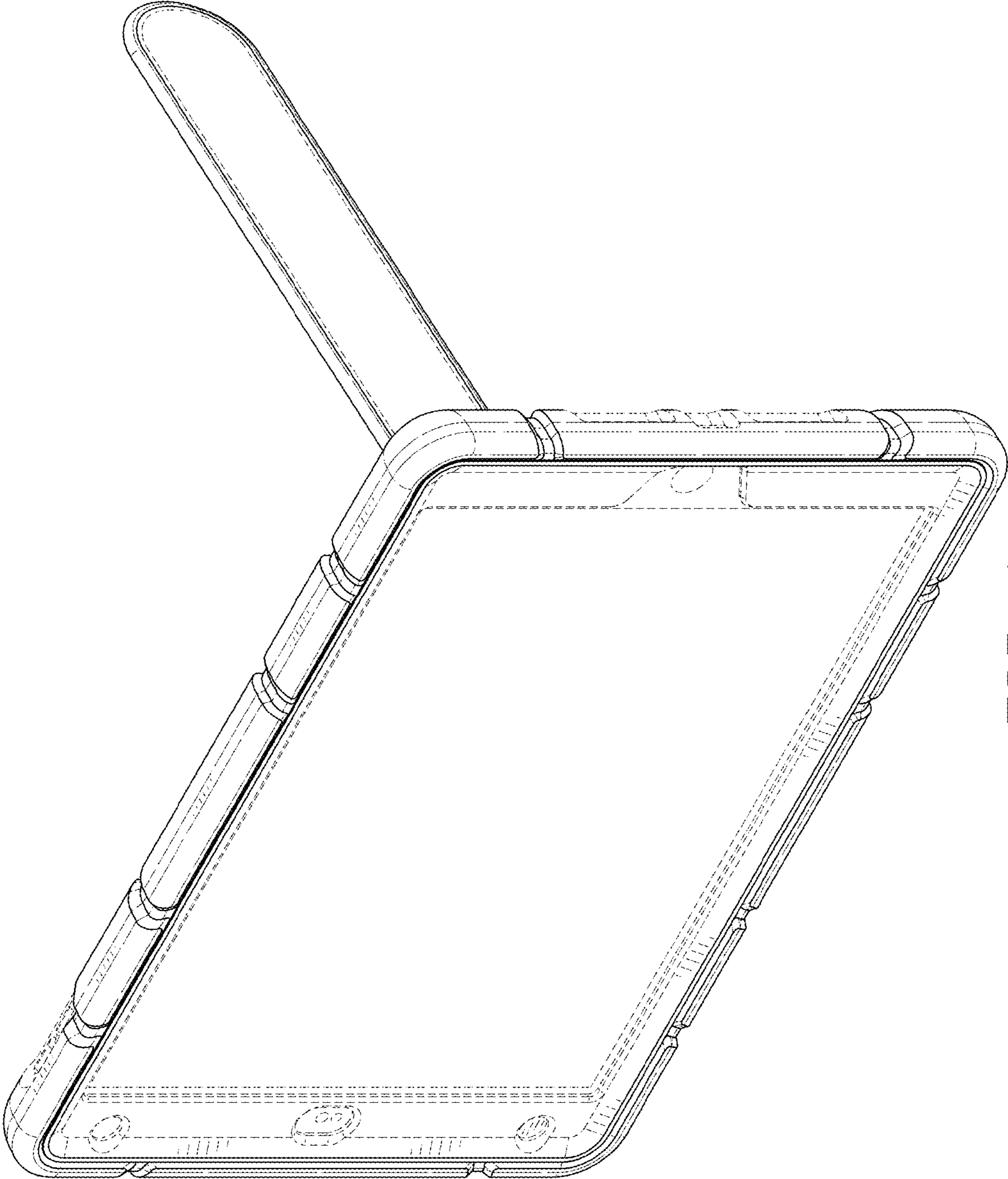


FIG. 1

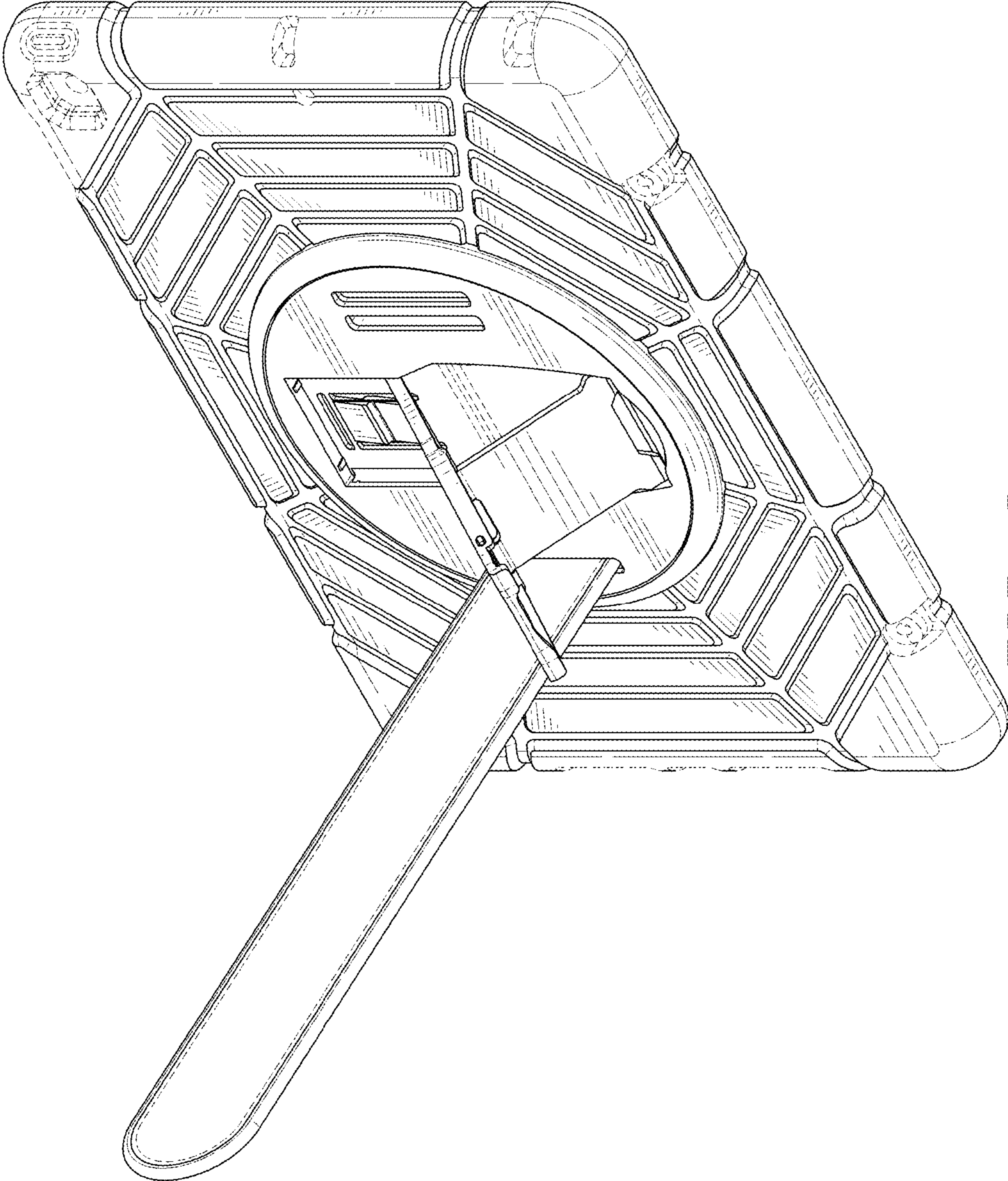


FIG. 2

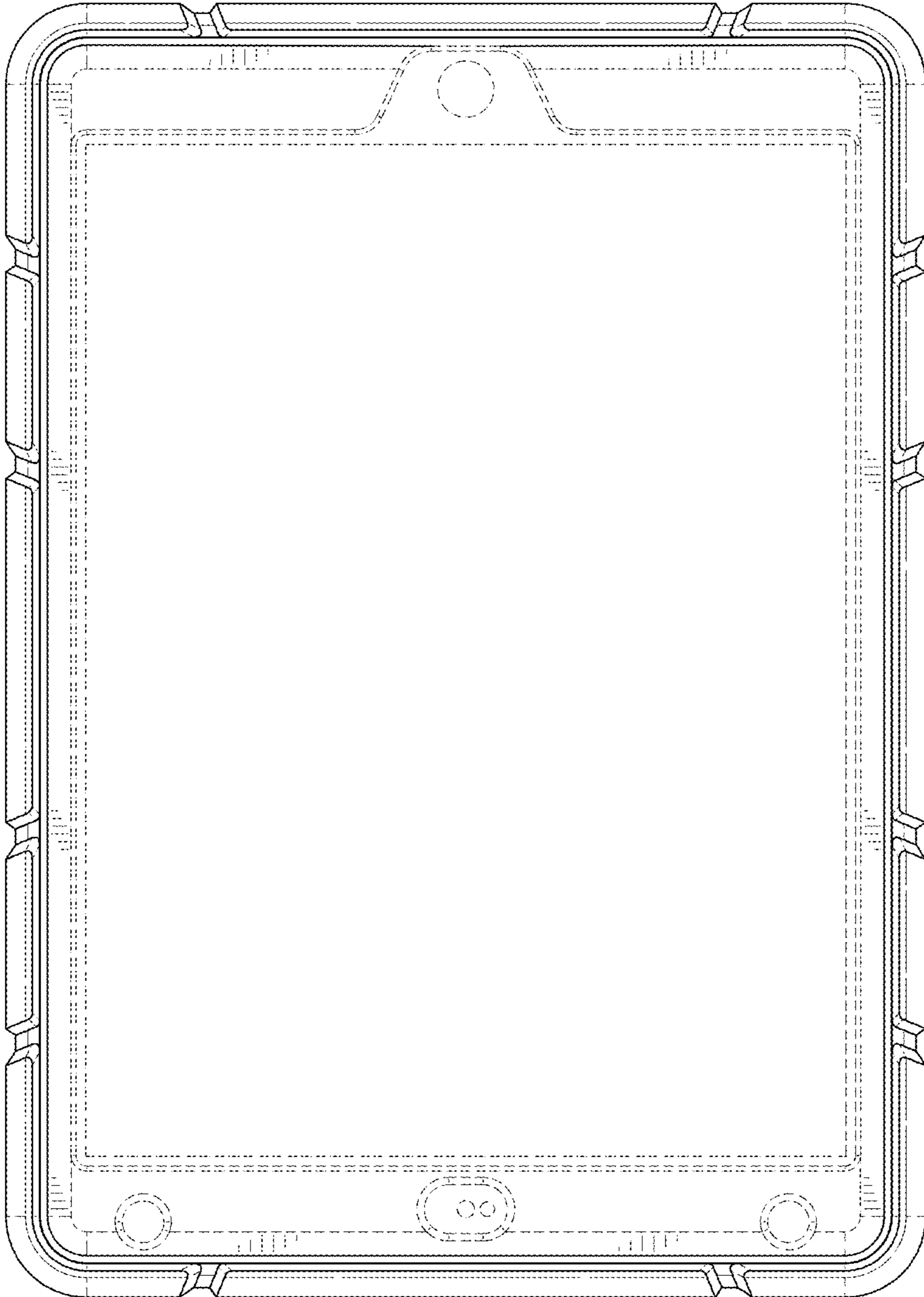


FIG. 3

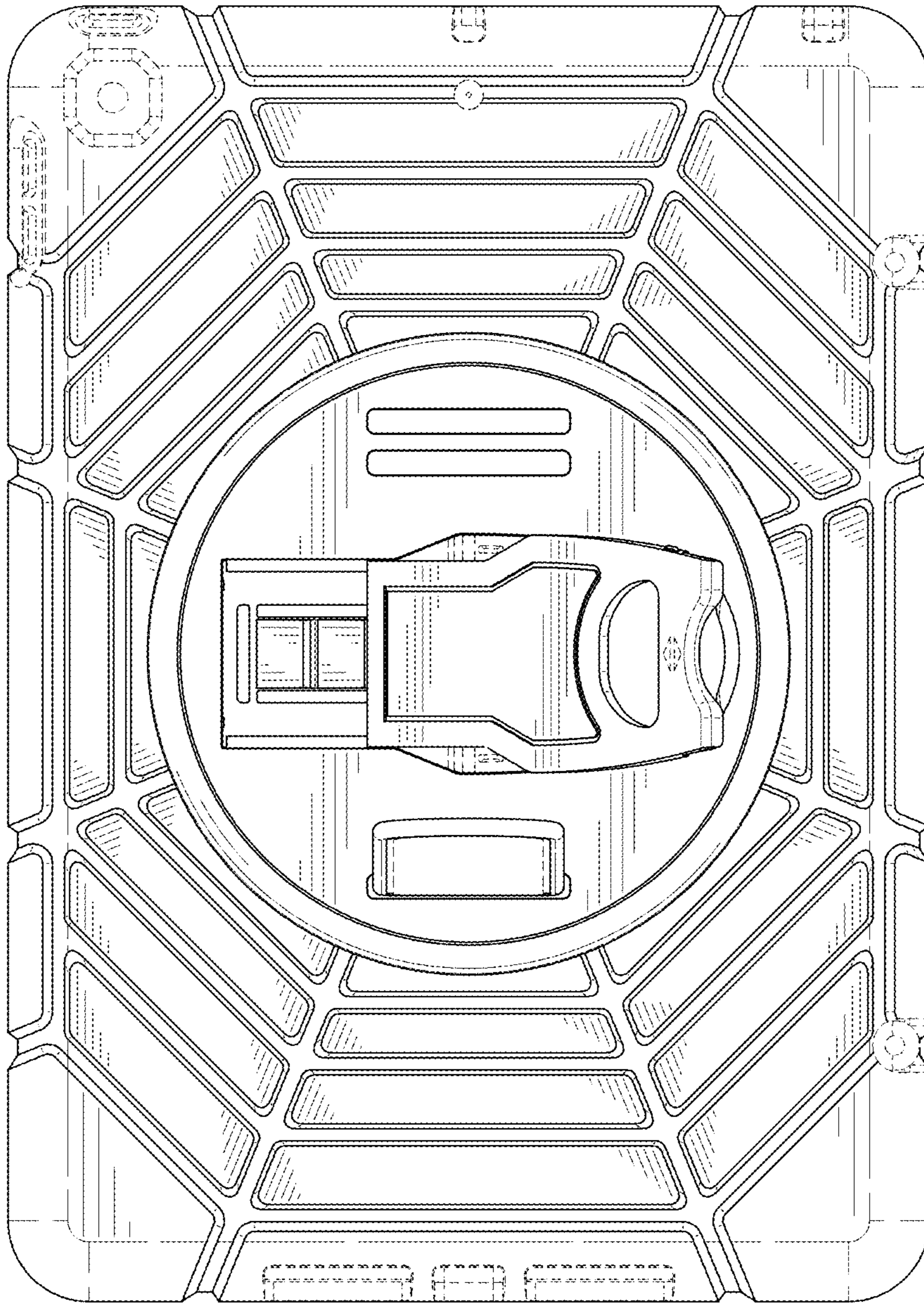


FIG. 4

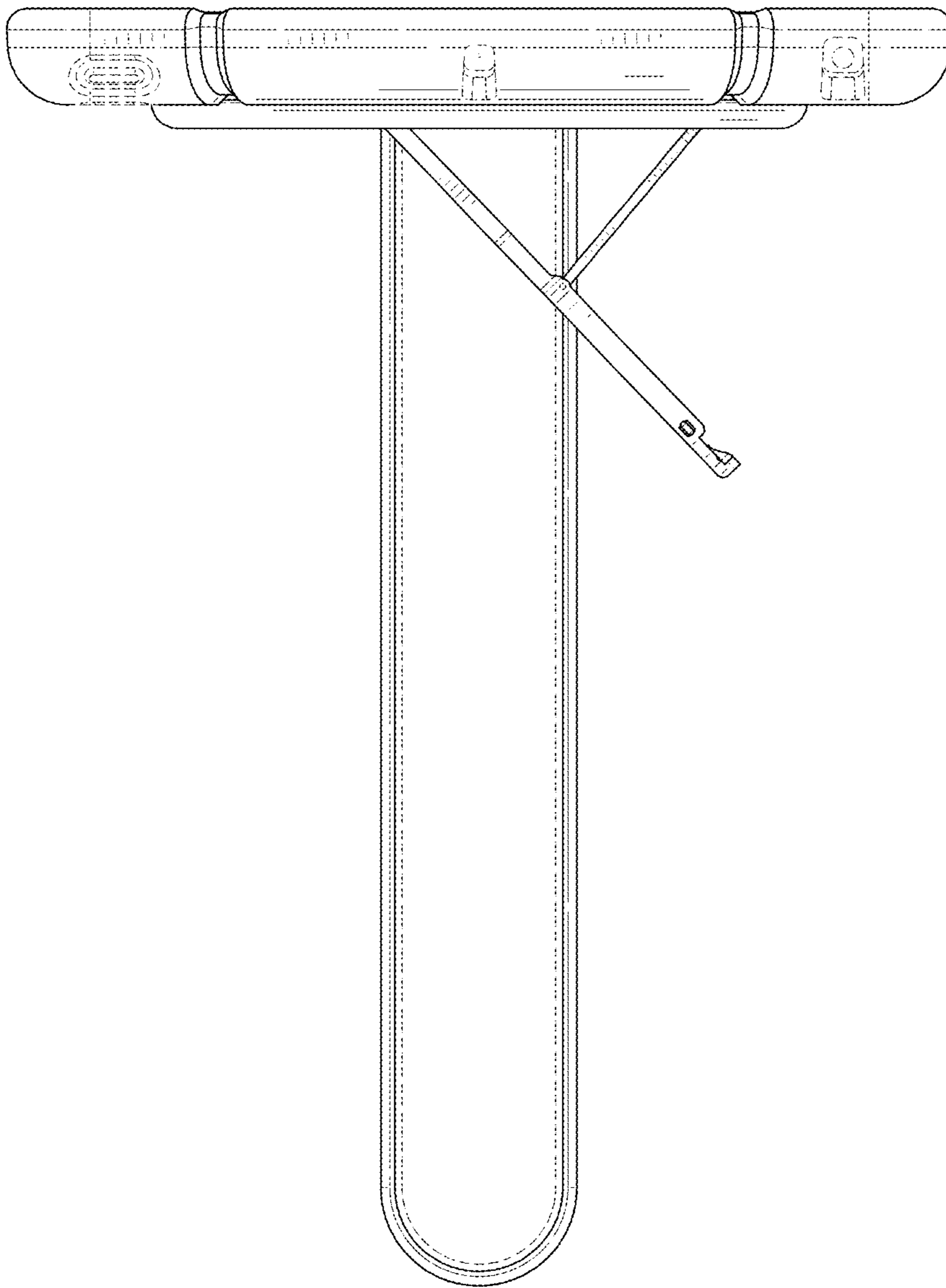


FIG. 5

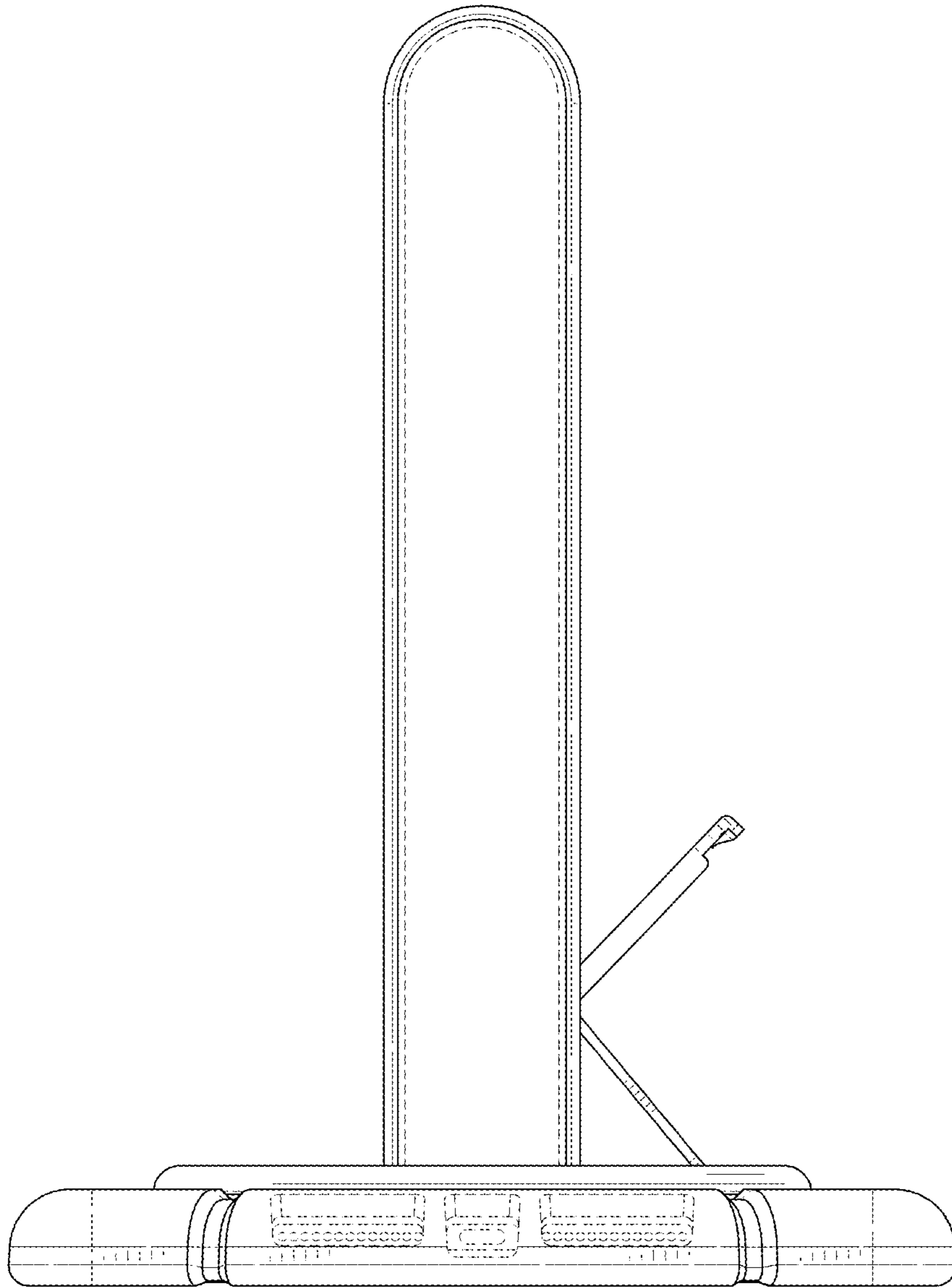


FIG. 6

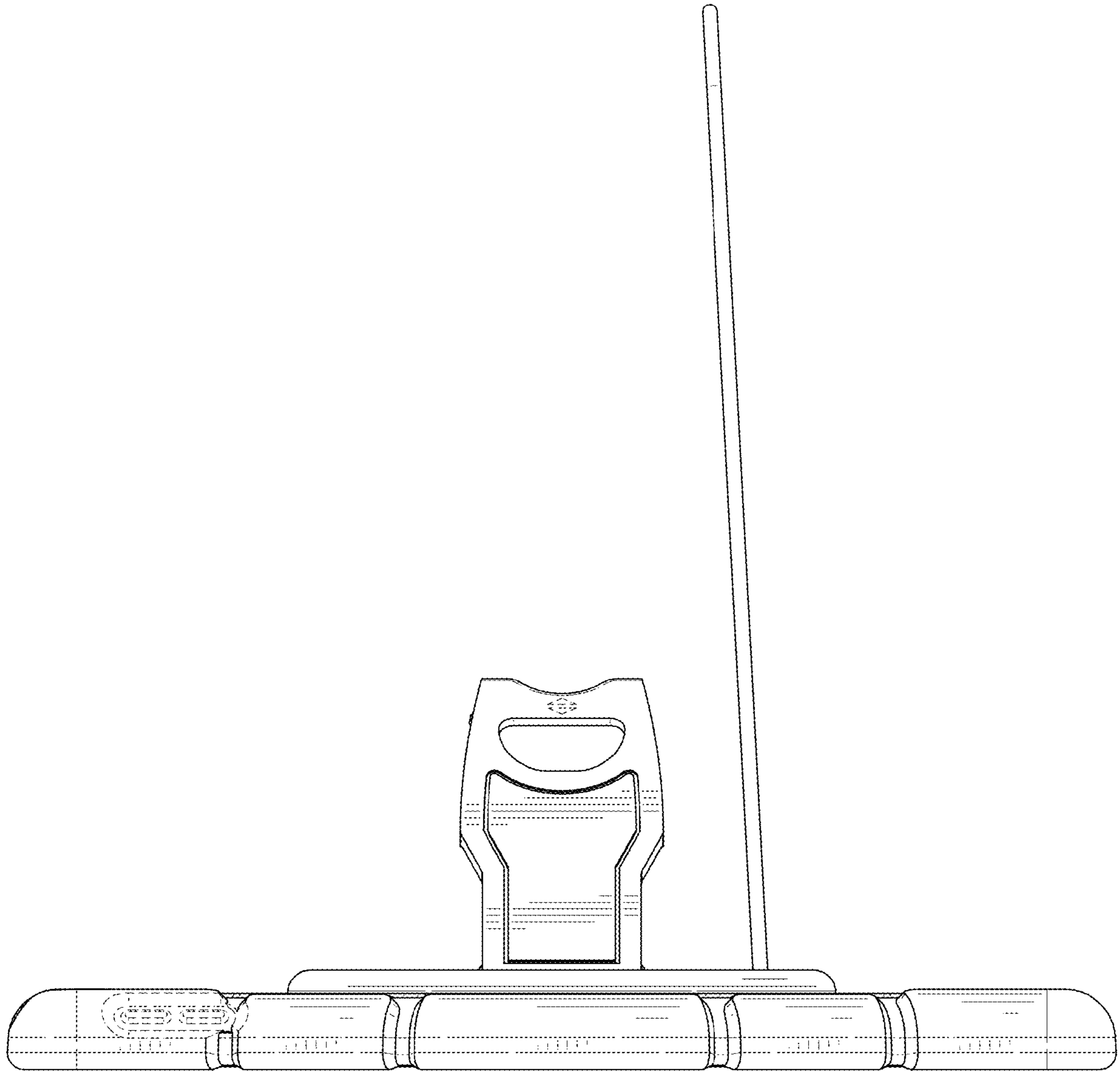


FIG. 7

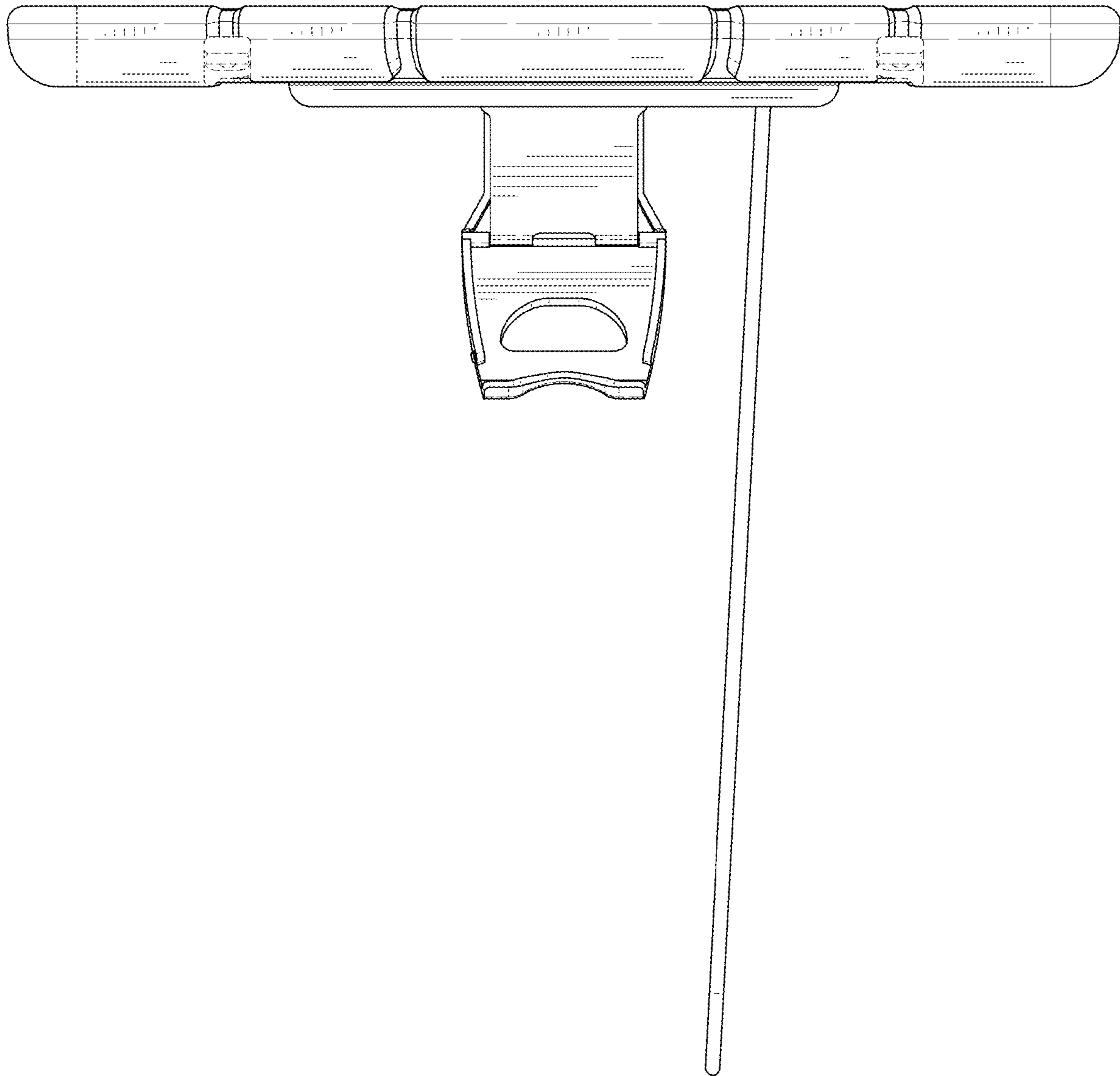


FIG. 8

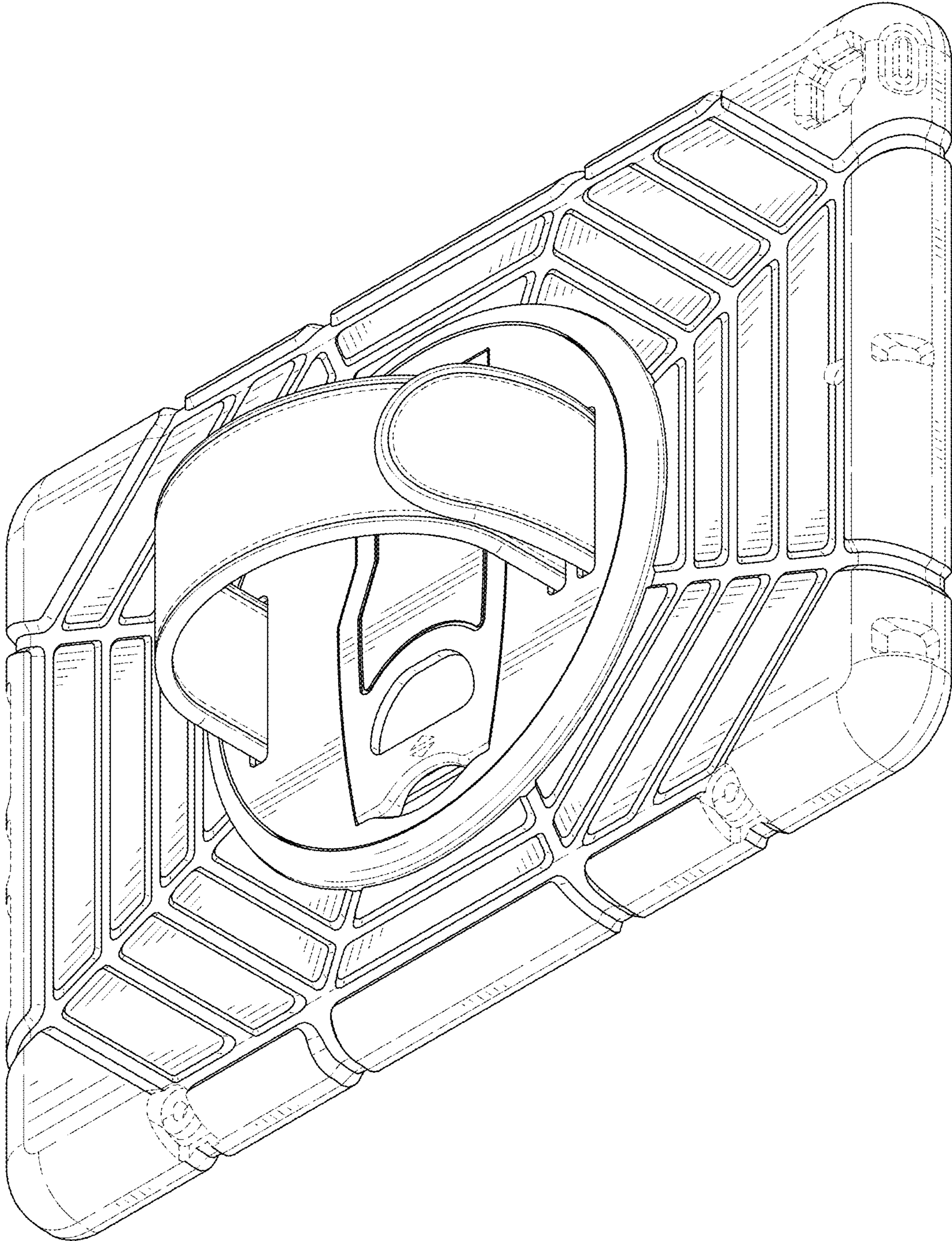


FIG. 9

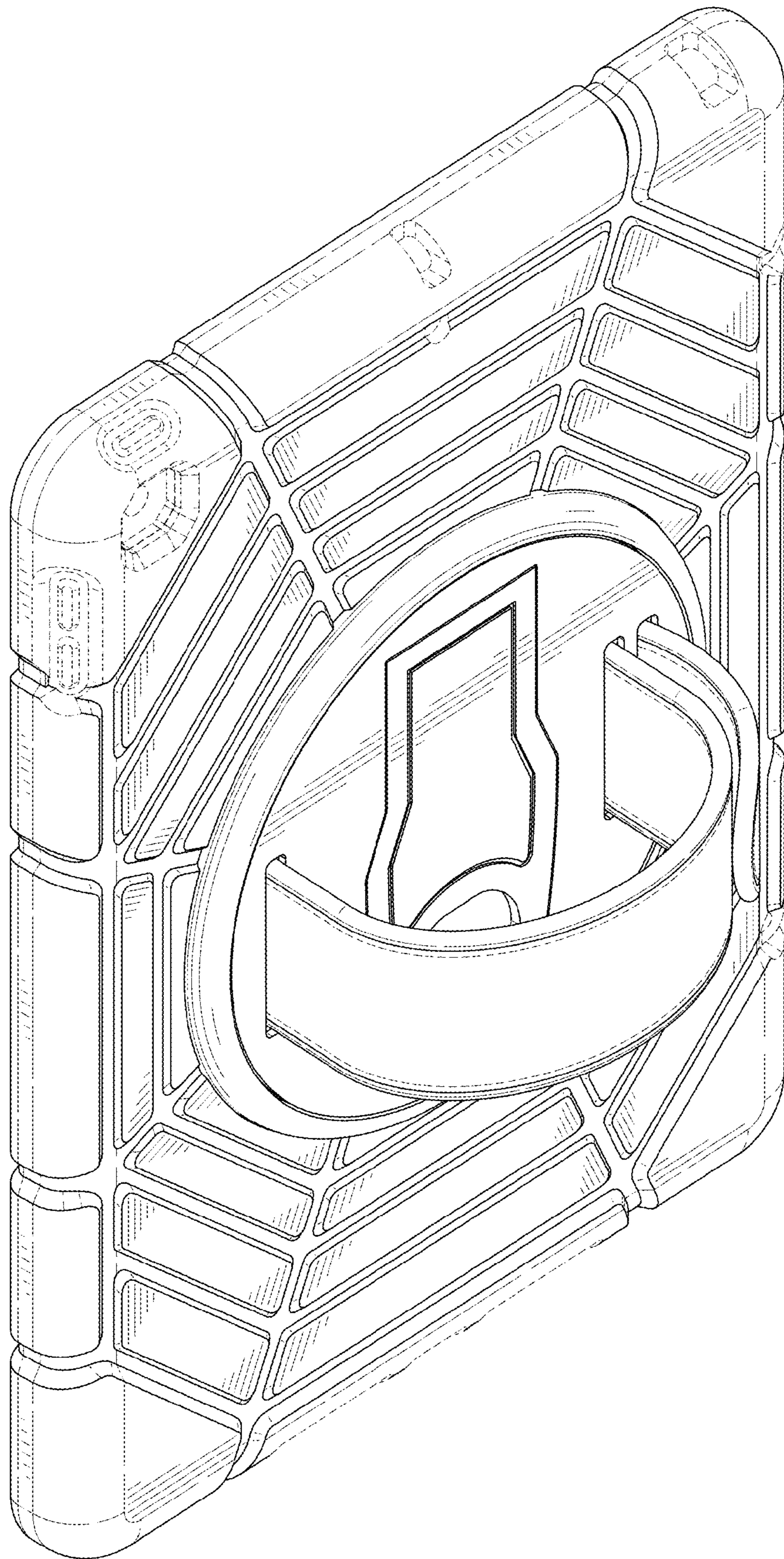


FIG. 10