

US00D964987S

(12) **United States Design Patent**
Ling et al.

(10) **Patent No.:** **US D964,987 S**

(45) **Date of Patent:** **** Sep. 27, 2022**

(54) **ELECTRONIC MODULE FOR RECORDING AND TRANSMITTING**

(71) Applicant: **Robert Bosch GmbH**, Stuttgart (DE)

(72) Inventors: **Tong Ling**, Shanghai (CN); **Chee Khiang Tan**, Shanghai (CN)

(73) Assignee: **Robert Bosch GmbH**, Stuttgart (DE)

(**) Term: **15 Years**

(21) Appl. No.: **29/762,587**

(22) Filed: **Dec. 17, 2020**

(30) **Foreign Application Priority Data**

Jun. 17, 2020 (CN) 202030311584.0

(51) **LOC (13) Cl.** **14-02**

(52) **U.S. Cl.**
USPC **D14/358**

(58) **Field of Classification Search**
USPC D13/162, 168; D14/155, 217, 218, 240,
D14/358, 169; D10/104.21, 106.9;
D29/122

CPC ... H04Q 9/00; H04B 1/02; H04B 1/03; H04B
1/06; H04B 1/08; H05K 5/0017; H04W
88/08; H04W 88/085; H04W 88/10;
H04W 88/12; H04W 88/16; G08C 23/04;
A42B 3/30

See application file for complete search history.

(56) **References Cited**

U.S. PATENT DOCUMENTS

5,761,612 A * 6/1998 Read H04B 1/088
455/90.3
D460,442 S * 7/2002 Fetherolf D14/242
D460,452 S * 7/2002 Yoshie D14/358
D465,215 S * 11/2002 Hill D13/152
D478,605 S * 8/2003 Guzman D13/168
D523,854 S * 6/2006 Rinna D14/358

7,110,743 B2 * 9/2006 Depew A42B 3/14
455/90.3
D768,130 S * 10/2016 Bonini D14/358
9,549,583 B2 * 1/2017 Pietrzak A42B 3/042
D778,185 S * 2/2017 Ookawa D10/104.1
9,814,278 B2 * 11/2017 Chung G08B 21/0446

(Continued)

OTHER PUBLICATIONS

Smart Helmet For Construction Firm __ Smart Hard Hat Solutions;
retrieved on May 18, 2022; 1 pg.;<https://www.excellentwebworld.com/smart-helmet-for-construction/>.*

Primary Examiner — Selina Sikder

(74) *Attorney, Agent, or Firm* — Maginot, Moore & Beck
LLP

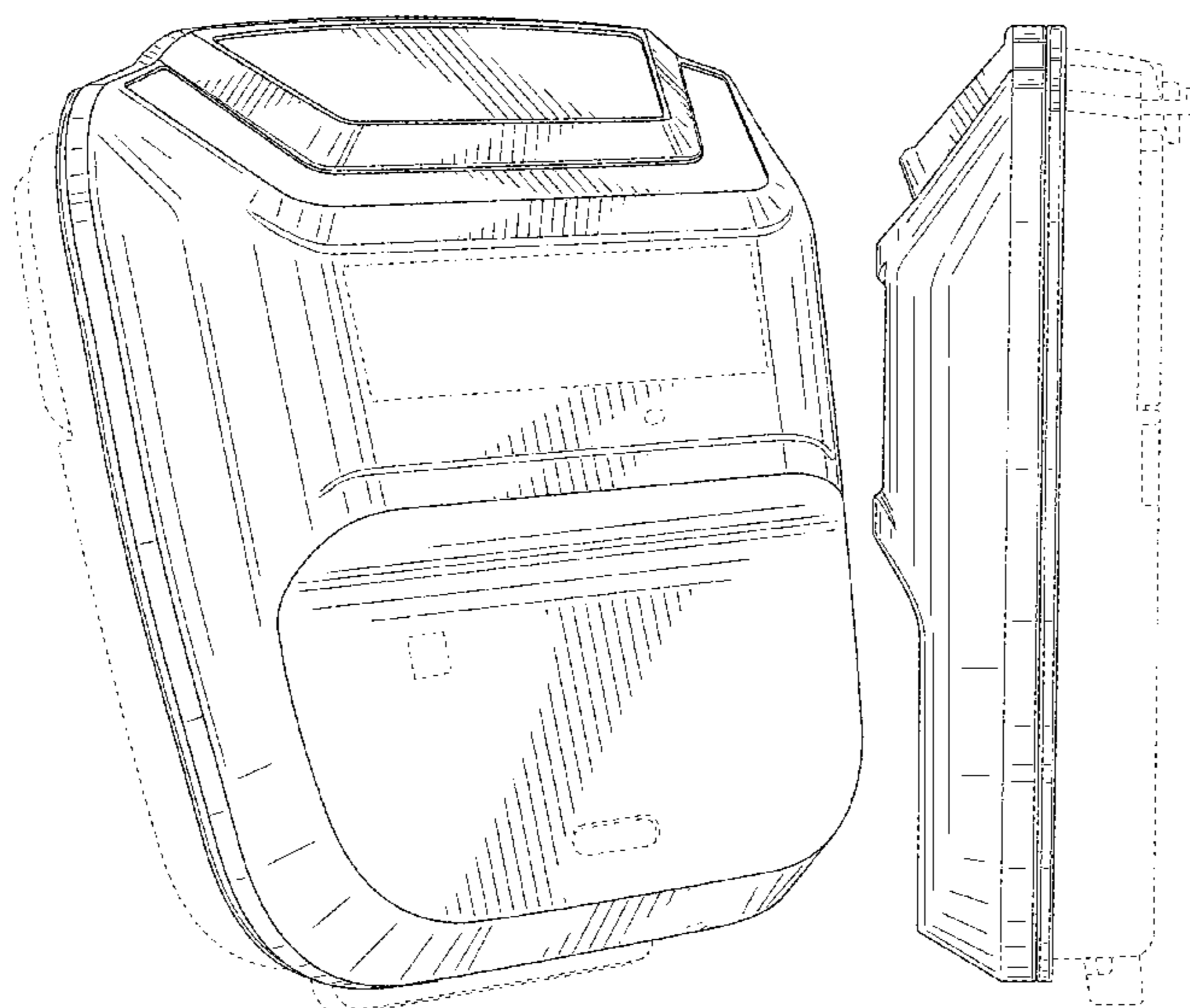
(57) **CLAIM**

The ornamental design for an electronic module for recording and transmitting, as shown and described.

DESCRIPTION

FIG. 1 is a perspective view of an electronic module for recording and transmitting showing our new design;
FIG. 2 is a front elevational view of the electronic module for recording and transmitting of FIG. 1;
FIG. 3 is a rear elevational view of the electronic module for recording and transmitting of FIG. 1;
FIG. 4 is a top plan view of the electronic module for recording and transmitting of FIG. 1;
FIG. 5 is a bottom plan view of the electronic module for recording and transmitting of FIG. 1;
FIG. 6 is a right side elevational view of the electronic module for recording and transmitting of FIG. 1; and,
FIG. 7 is a left side elevational view of the electronic module for recording and transmitting of FIG. 1.
The broken lines shown in the drawings illustrate portions of the electronic module for recording and transmitting that form no part of the claimed design.

1 Claim, 5 Drawing Sheets



(56)

References Cited

U.S. PATENT DOCUMENTS

D815,625	S *	4/2018	Wartmann	D14/240
D815,626	S *	4/2018	Clover	D14/242
D821,393	S *	6/2018	Matsumiya	D10/74
10,168,417	B2 *	1/2019	Bulumulla	H04B 17/27
10,327,497	B1 *	6/2019	Florez	H04B 1/385
D853,382	S *	7/2019	Haigh	D14/240
D854,011	S *	7/2019	Ciprian	D12/114
D883,965	S *	5/2020	Huang	D14/240
10,856,599	B1 *	12/2020	Cuenca	A42B 1/245
D926,062	S *	7/2021	Konotopskyi	D10/104.1
D937,260	S *	11/2021	Kuwano	D14/358
2010/0075619	A1 *	3/2010	Solla	H04B 1/385 455/90.3
2010/0097791	A1 *	4/2010	Chang	A42B 1/244 362/235
2013/0176243	A1 *	7/2013	BianRosa	G06F 3/017 361/679.01
2019/0208854	A1 *	7/2019	Teetzel	A42B 3/042
2020/0375295	A1 *	12/2020	Ogushi	A61B 5/0008

* cited by examiner

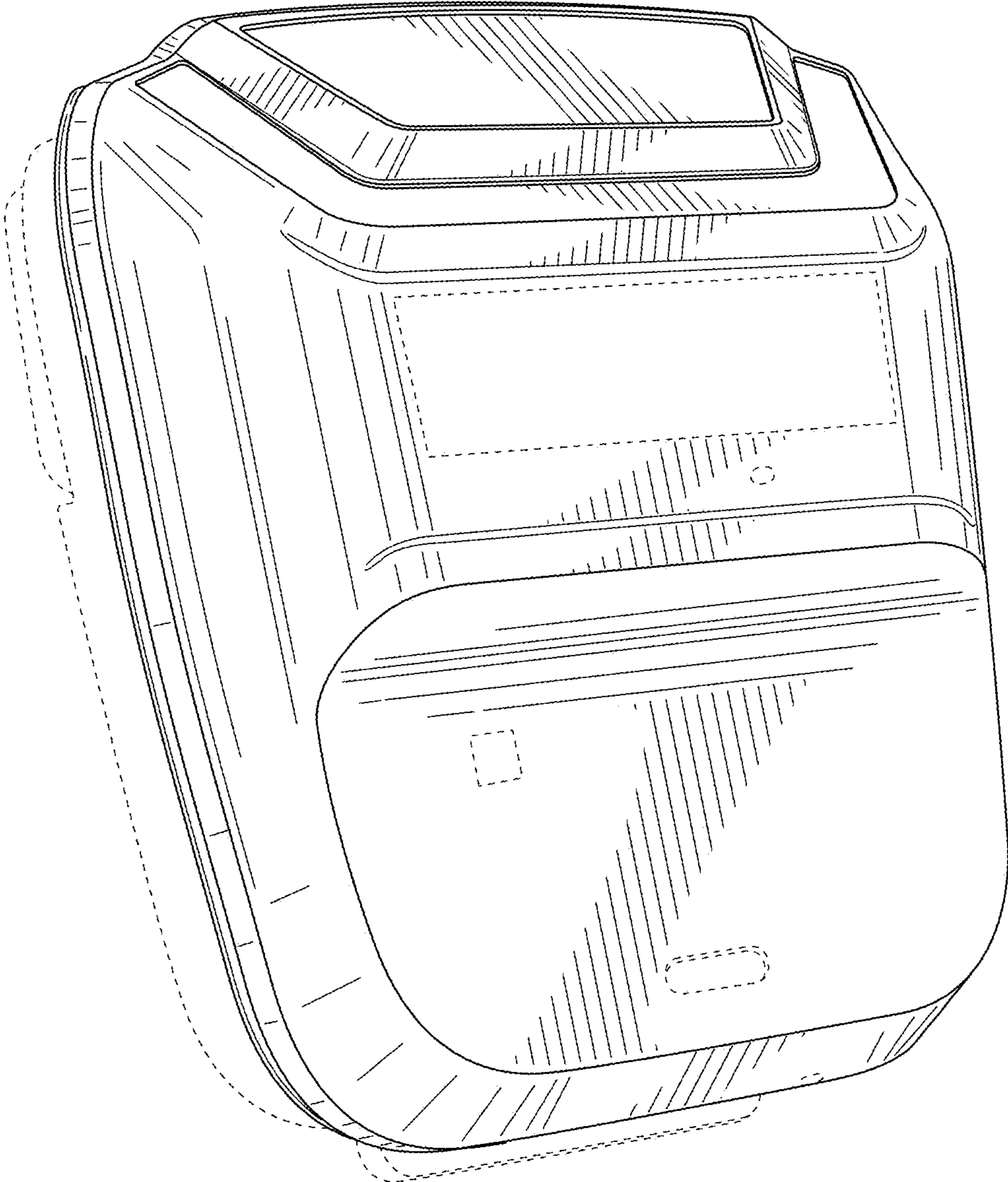


FIG. 1

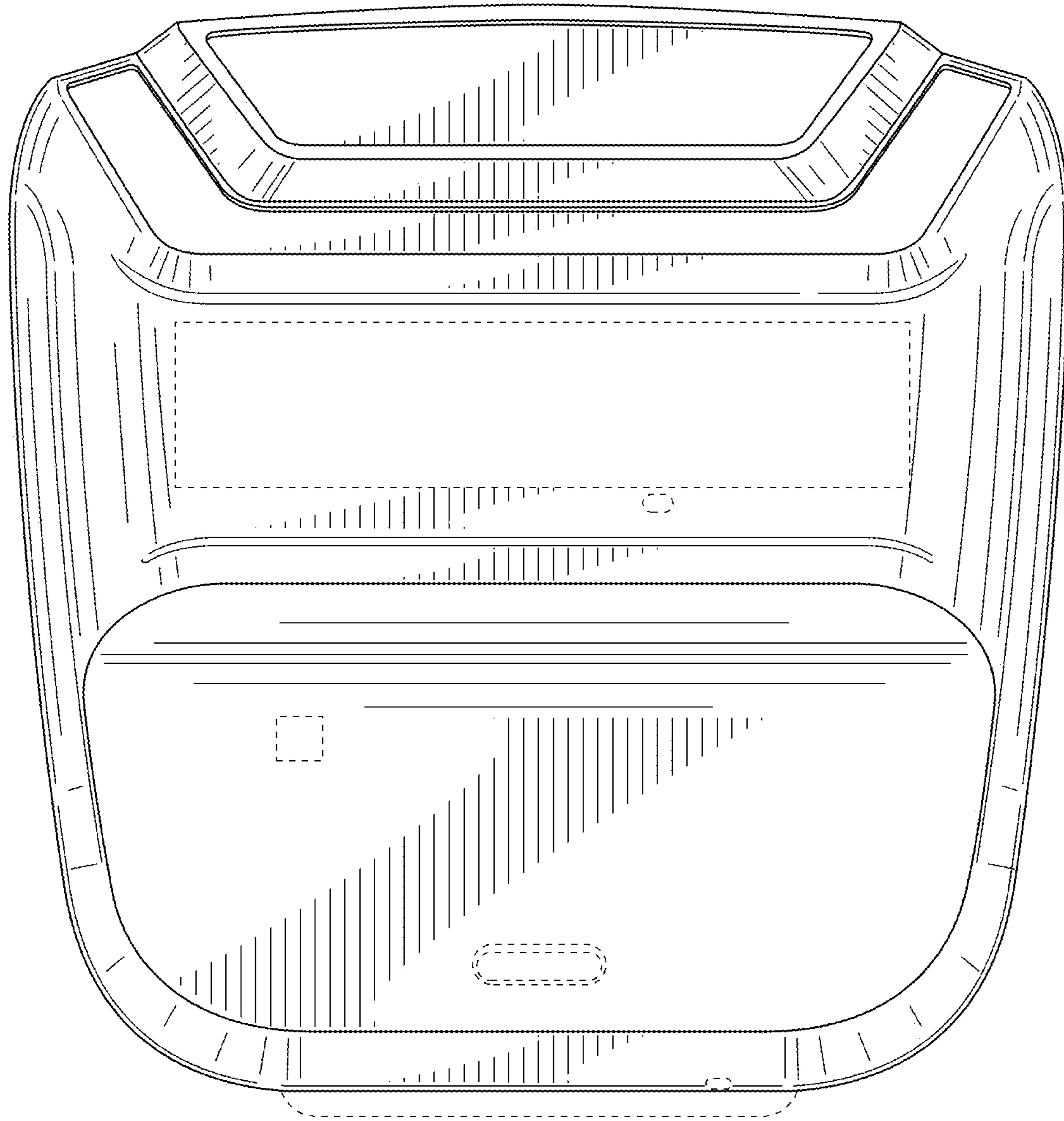


FIG. 2

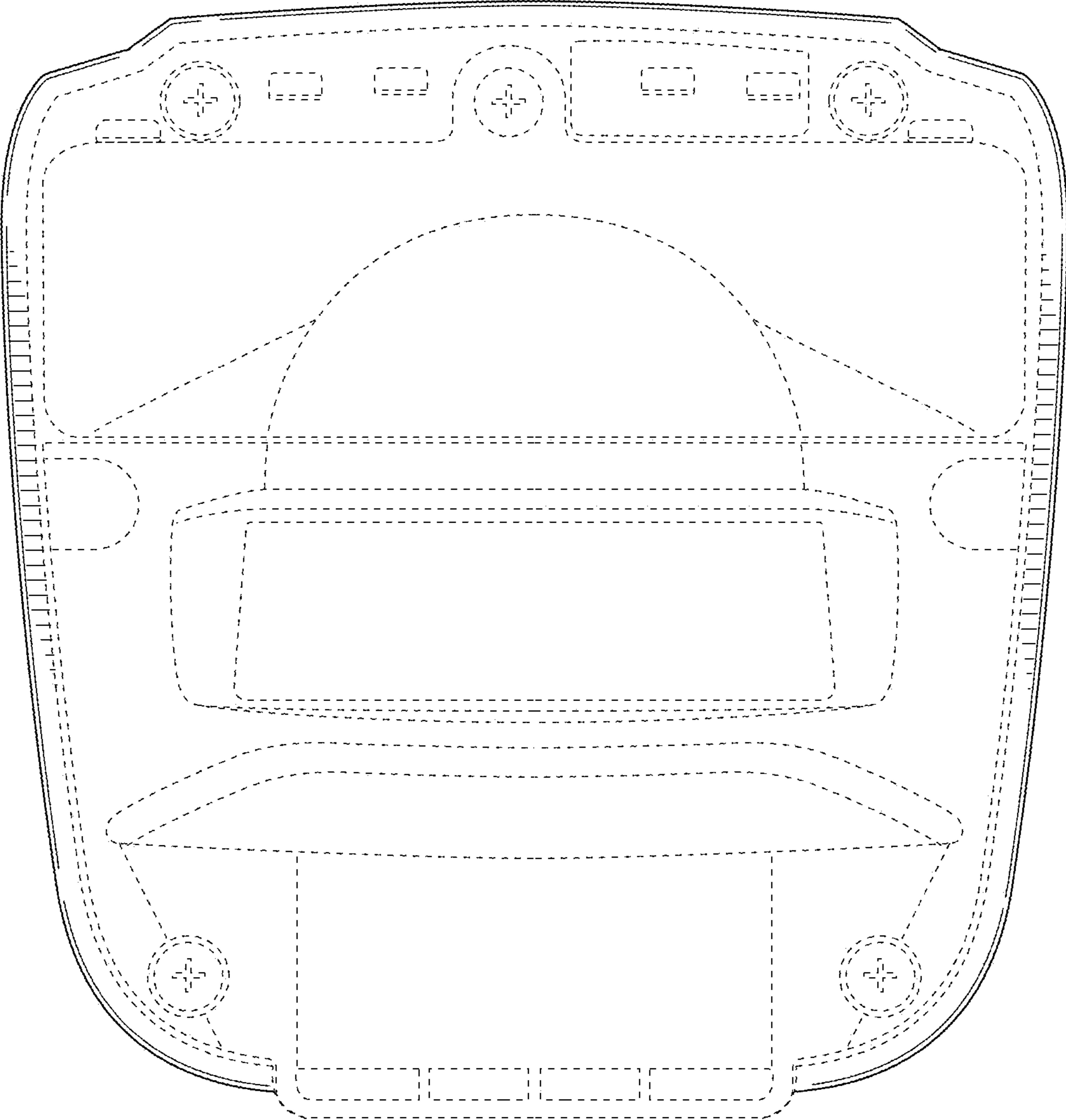


FIG. 3

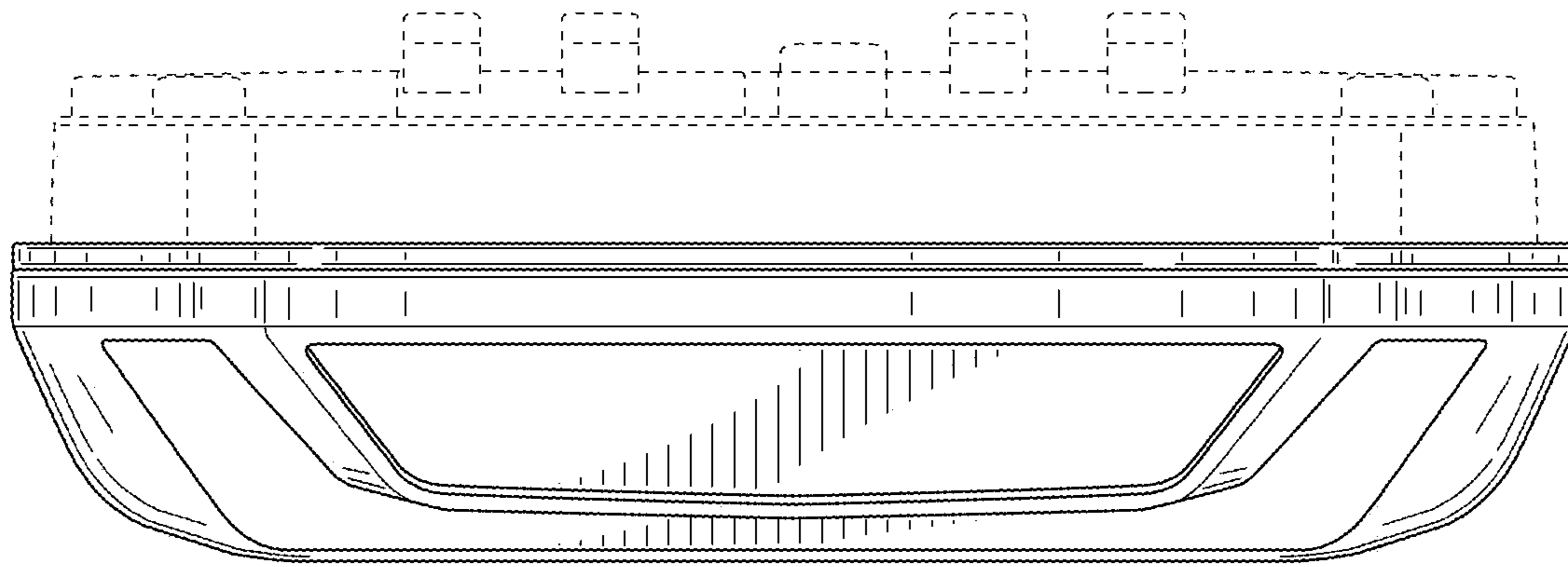


FIG. 4

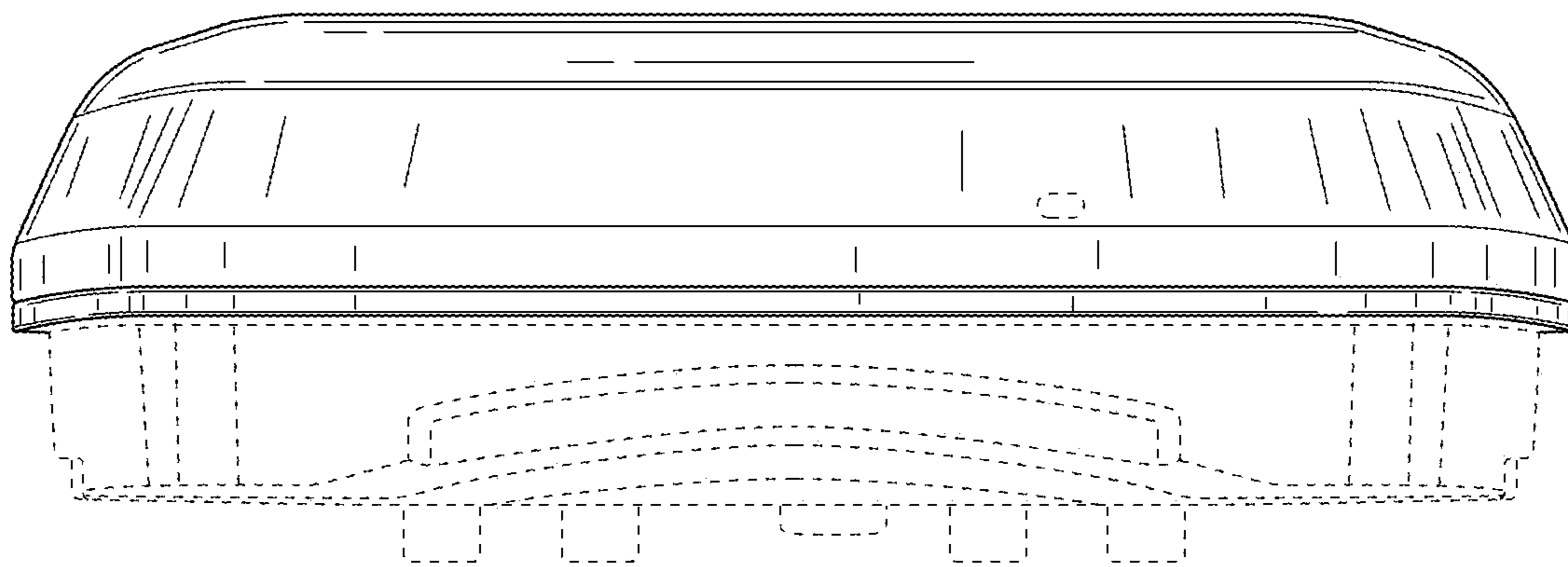


FIG. 5

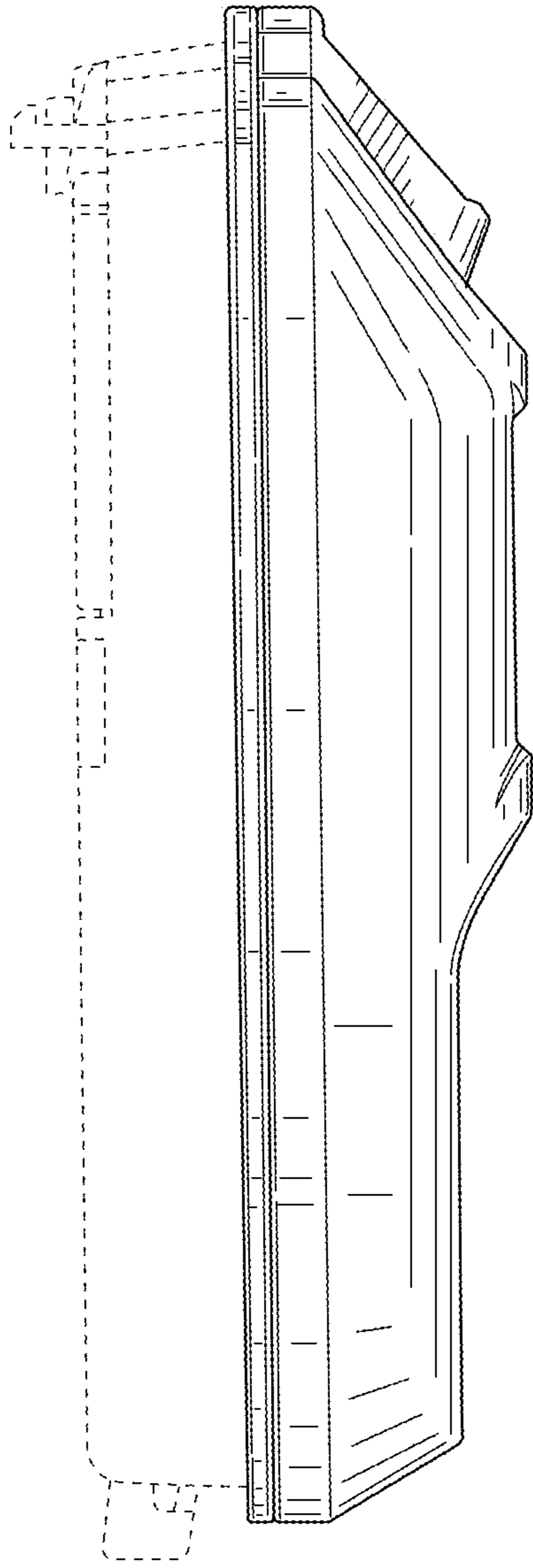


FIG. 6

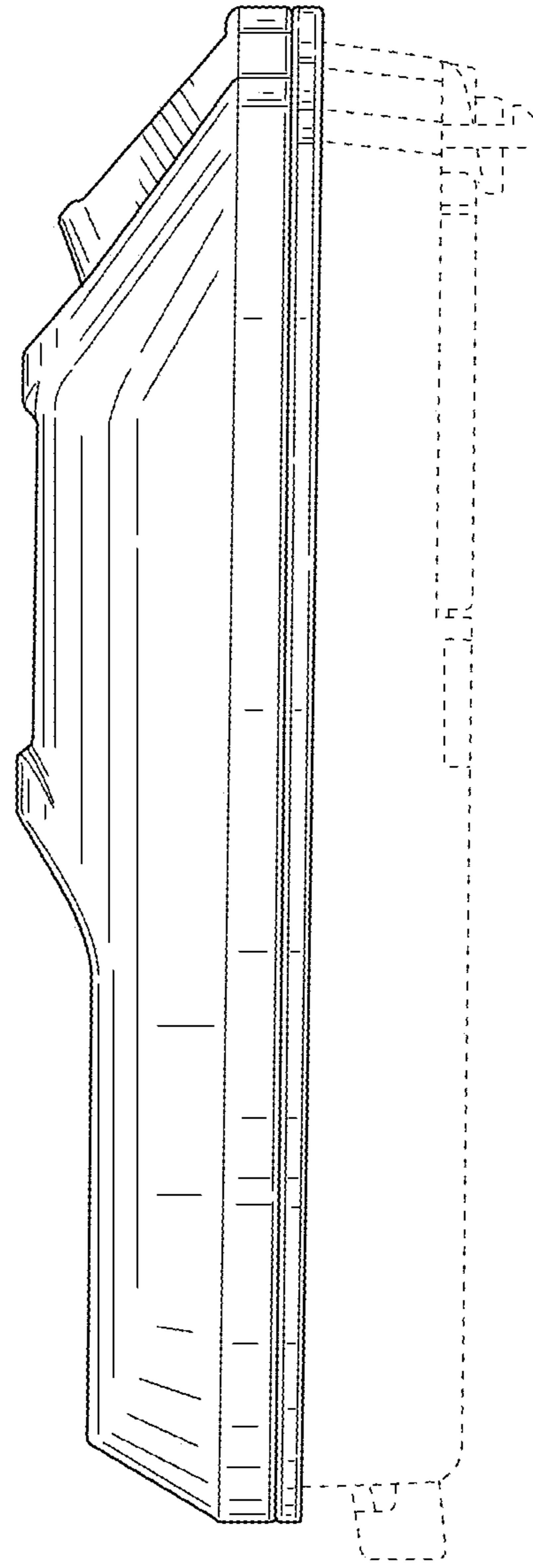


FIG. 7