



US00D964984S

(12) **United States Design Patent** (10) **Patent No.:** **US D964,984 S**
Makinen et al. (45) **Date of Patent:** **** Sep. 27, 2022**

(54) **DUAL SCREEN LAPTOP**
(71) Applicant: **Intel Corporation**, Santa Clara, CA (US)
(72) Inventors: **Mikko Makinen**, San Jose, CA (US); **Gustavo Fricke**, San Jose, CA (US)
(73) Assignee: **Intel Corporation**, Santa Clara, CA (US)
(**) Term: **15 Years**

D640,686 S * 6/2011 Daniel D14/327
D664,538 S 7/2012 Ryu et al.
D666,804 S 9/2012 Rogers
D681,041 S 4/2013 Phillips et al.
D689,054 S 9/2013 Snyder
D689,055 S 9/2013 Snyder
D692,886 S 11/2013 Bates et al.
D702,678 S 4/2014 Chen et al.
D719,149 S 12/2014 Matsuoka
D724,092 S 3/2015 Zangari et al.
D730,912 S 6/2015 Liu
D756,365 S 5/2016 Huang et al.
D768,632 S 10/2016 Ruegg et al.

(Continued)

(21) Appl. No.: **29/801,976**

(22) Filed: **Aug. 2, 2021**

Related U.S. Application Data

(62) Division of application No. 29/645,675, filed on Apr. 27, 2018, now Pat. No. Des. 933,058.
(51) **LOC (13) Cl.** **14-02**
(52) **U.S. Cl.**
USPC **D14/331**; D14/440; D14/315
(58) **Field of Classification Search**
USPC D14/315, 318, 320-327, 331, 333-335, D14/338-340, 440, 445; D19/26-27, 86; D3/249, 274, 299, 303, 900
CPC G06F 1/1616; G06F 1/1637; G06F 1/1662
See application file for complete search history.

(56) **References Cited**

U.S. PATENT DOCUMENTS

D322,628 S 12/1991 Young
D414,033 S 9/1999 Rohm
D435,550 S 12/2000 Chu et al.
D465,087 S 11/2002 Shapiro
D478,623 S 8/2003 Wilburn
D485,263 S 1/2004 Kamegi
D600,699 S 9/2009 Johnston et al.
D617,790 S * 6/2010 Sapper D14/327
D621,398 S * 8/2010 Loi D14/327

OTHER PUBLICATIONS

Twin River is Intel's attempt to build a dual-screen laptop out of fabric I theverge.com May 28, 2019 [online]. © 2021 Vox Media, LLC. [retrieved Mar. 18, 2021] from Internet: <https://www.theverge.com/2019/5/28/18643484/intel-fabric-laptop-dual-screen-twin-river> (Year: 2019), 5 pages.

(Continued)

Primary Examiner — Katherine Glennon
(74) *Attorney, Agent, or Firm* — Hanley, Flight & Zimmerman, LLC

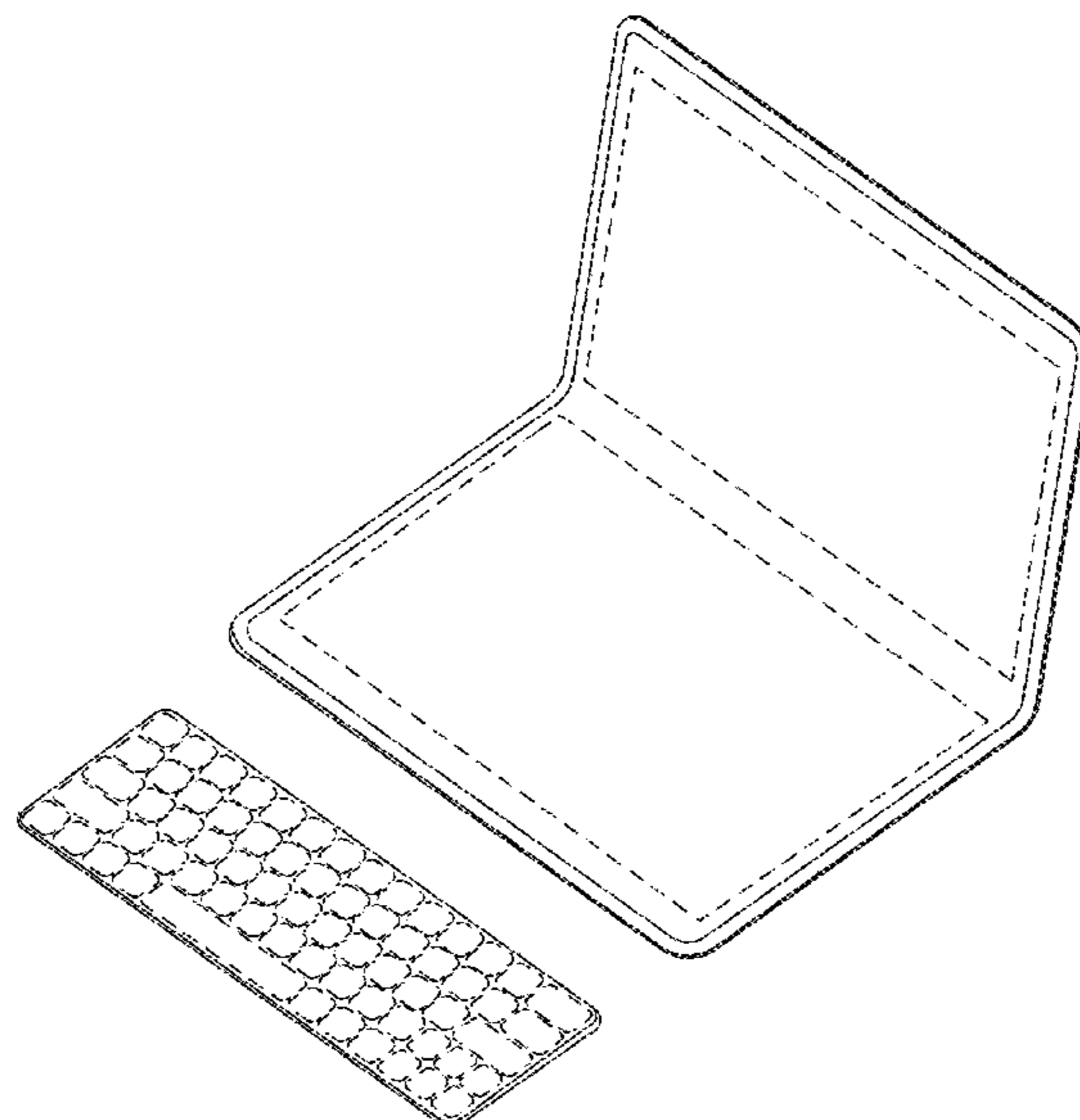
(57) **CLAIM**

The ornamental design for a dual screen laptop, as shown and described.

DESCRIPTION

FIG. 1 is a perspective view of a dual screen laptop.
FIG. 2 is a right side view of the dual screen laptop of FIG. 1; and,
FIG. 3 is a left side view of the dual screen laptop of FIG. 1.
The features shown in dashed lines form no part of the claimed design.

1 Claim, 3 Drawing Sheets



(56)

References Cited

U.S. PATENT DOCUMENTS

D772,885	S	11/2016	Akana et al.	
D773,474	S	12/2016	Akana et al.	
D790,531	S	6/2017	Magi	
D796,515	S	9/2017	Kim et al.	
D797,108	S	9/2017	Liu	
D815,088	S	4/2018	Fujimoto	
D817,322	S	5/2018	Xia	
D872,073	S *	1/2020	Cha	D14/327
10,852,779	B2 *	12/2020	Makinen	G06F 1/1647
D909,370	S *	2/2021	Jones	D14/341
D933,058	S	10/2021	Makinen et al.	
2013/0299326	A1	11/2013	Hsu	
2013/0322026	A1	12/2013	Huang et al.	
2014/0071607	A1 *	3/2014	Frinak	G06F 1/1624 361/679.09
2014/0211394	A1	7/2014	Lin et al.	
2017/0359910	A1	12/2017	Seo et al.	
2019/0041919	A1	2/2019	Makinen et al.	
2020/0029449	A1	1/2020	Makinen et al.	

2020/0097052	A1	3/2020	Makinen et al.	
2020/0128687	A1	4/2020	Ku et al.	
2020/0133339	A1	4/2020	Yildiz et al.	
2020/0225710	A1 *	7/2020	Pelissier	E05D 3/06

OTHER PUBLICATIONS

United States Patent and Trademark Office, "Notice of Allowance," issued in connection with U.S. Appl. No. 29/645,675, dated Jun. 11, 2021, 7 pages.

United States Patent and Trademark Office, "Final Office action," issued in connection with U.S. Appl. No. 29/645,675, dated Mar. 24, 2021, 10 pages.

United States Patent and Trademark Office, "Non-Final Office action," issued in connection with U.S. Appl. No. 29/645,675, dated Sep. 25, 2020, 14 pages.

United States Patent and Trademark Office, "Restriction Requirement" issued in connection with U.S. Appl. No. 29/645,675, dated May 28, 2020, 8 pages.

* cited by examiner

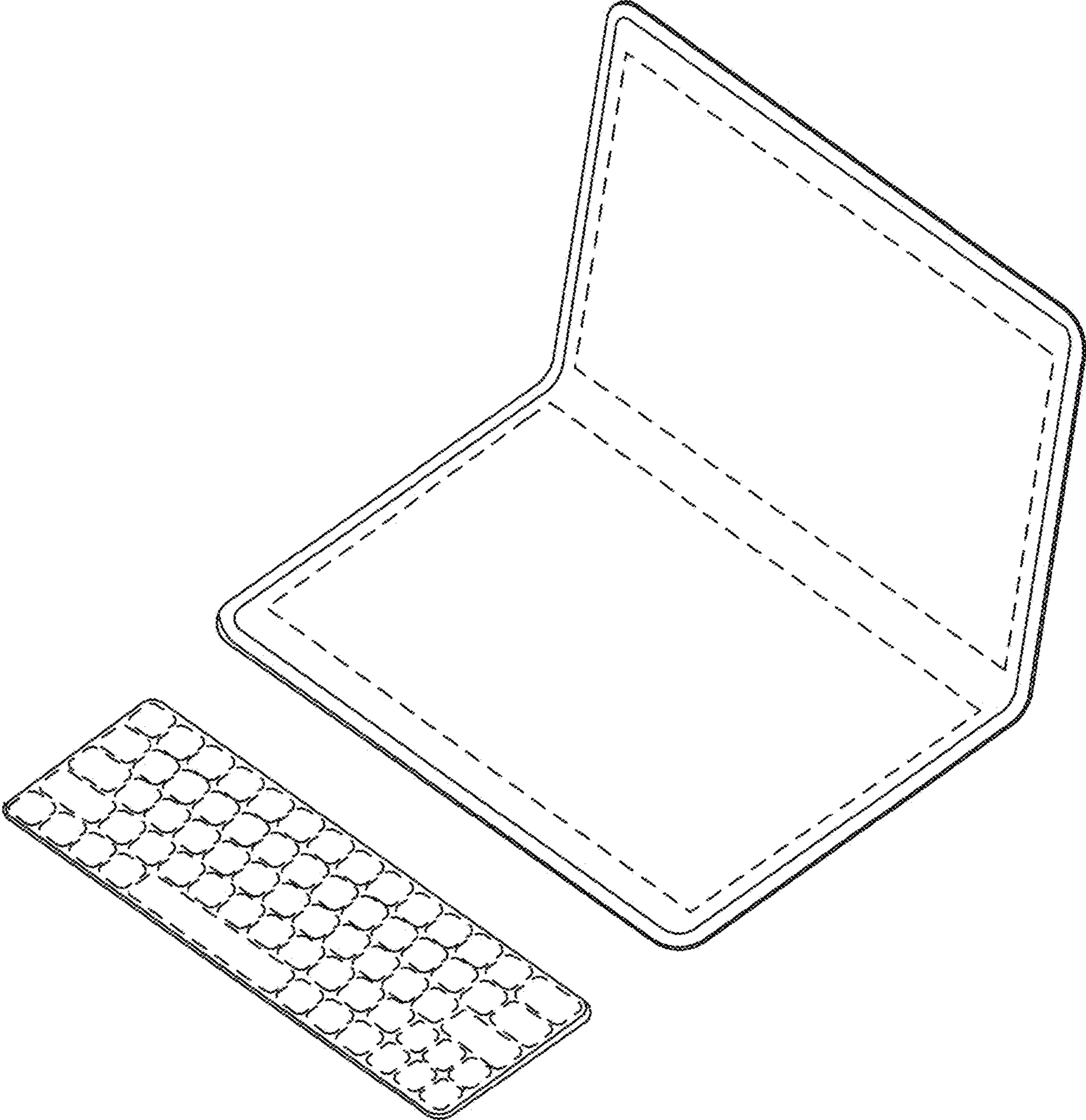


FIG. 1



FIG. 2

FIG. 3

