



US00D964982S

(12) **United States Design Patent**
Wurmfeld

(10) **Patent No.:** **US D964,982 S**

(45) **Date of Patent:** **** Sep. 27, 2022**

- (54) **KIOSK**
- (71) Applicant: **Capital One Services, LLC**, McLean, VA (US)
- (72) Inventor: **David Kelly Wurmfeld**, Palm Bay, FL (US)
- (73) Assignee: **Capital One Services, LLC**, McLean, VA (US)
- (**) Term: **15 Years**
- (21) Appl. No.: **29/792,539**

D565,044 S	3/2008	Witts et al.	
D574,377 S	8/2008	Derocher et al.	
D579,686 S	11/2008	Collins et al.	
D585,943 S	2/2009	Pymm et al.	
D681,030 S	4/2013	Yepez	
D687,429 S	8/2013	Nelson et al.	
D690,293 S	* 9/2013	Wilson	D14/307
D695,733 S	12/2013	Damhuis	
D712,396 S	* 9/2014	Johnson	D14/307
D717,785 S	11/2014	Winston et al.	
D721,695 S	1/2015	Birgeoglu	
D721,696 S	1/2015	Birgeoglu	
D722,313 S	2/2015	Birgeoglu	
D723,026 S	2/2015	Birgeoglu	
D732,521 S	6/2015	Chadbourne et al.	
D732,522 S	6/2015	Chadbourne et al.	
D751,061 S	3/2016	Berini	

(Continued)

- (22) Filed: **Apr. 6, 2022**
- (51) **LOC (13) Cl.** **14-02**
- (52) **U.S. Cl.**
USPC **D14/307**
- (58) **Field of Classification Search**
USPC D14/302-307, 900-902; D13/163;
D20/10; D21/332, 325, 369, 370;
D99/28; D6/397, 466; 194/206;
361/679.01, 679.02, 679.04, 679.21,
361/679.57, 725
CPC G06Q 20/18; G06Q 20/10; G06Q 20/123;
G06Q 20/20; G06Q 30/02; G06Q 30/06;
A47F 9/047
See application file for complete search history.

FOREIGN PATENT DOCUMENTS

TW D208606 S 12/2020

Primary Examiner — Austin Murphy
(74) *Attorney, Agent, or Firm* — Bookoff McAndrews, PLLC

(57) **CLAIM**

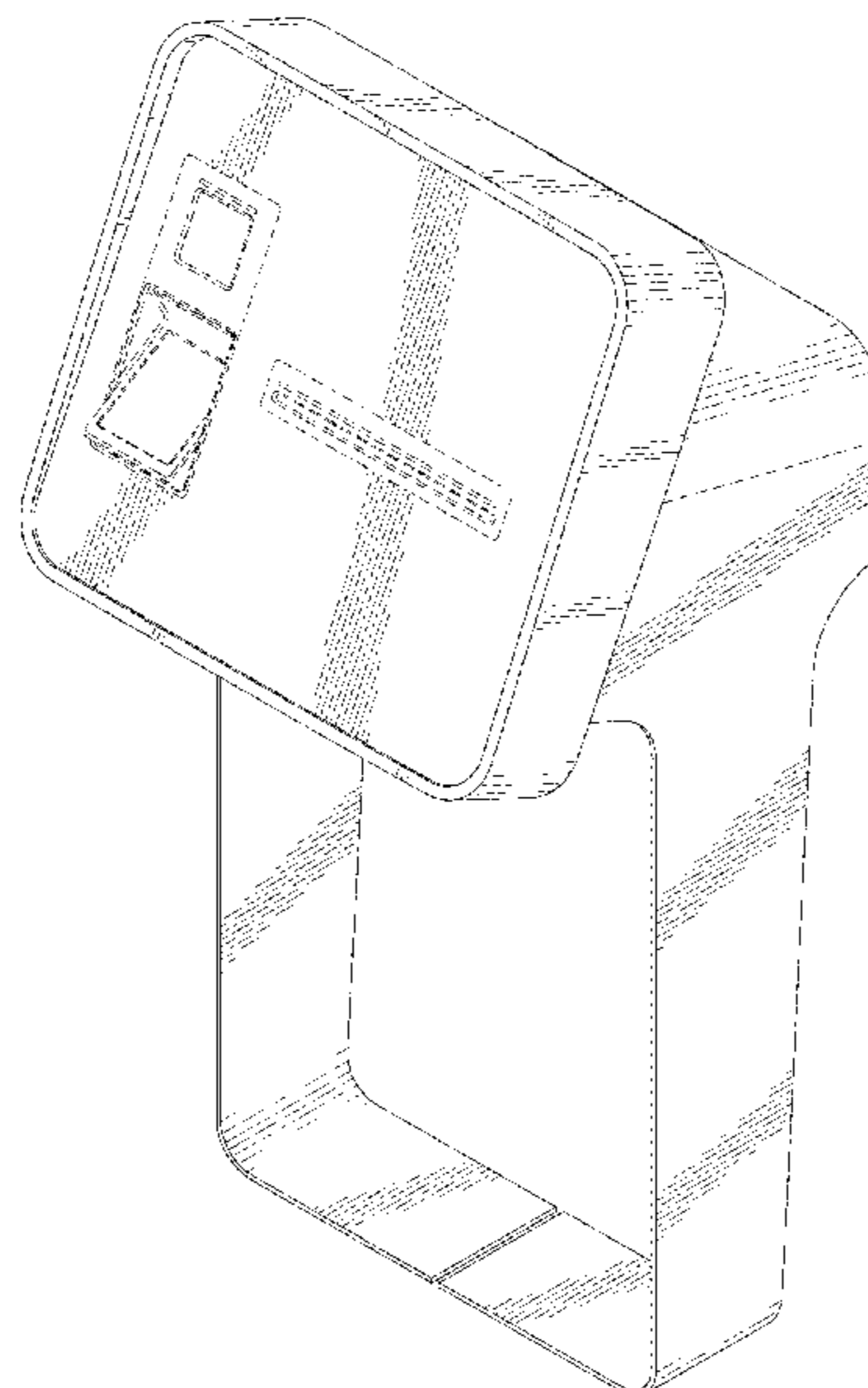
The ornamental design for a kiosk, as shown and described.

DESCRIPTION

FIG. 1 is a front right perspective view of a kiosk showing my new design;
FIG. 2 is a front elevation view thereof;
FIG. 3 is a rear elevation view thereof;
FIG. 4 is a right side elevation view thereof;
FIG. 5 is a left side elevation view thereof;
FIG. 6 is a top plan view thereof; and,
FIG. 7 is a bottom view thereof.
The broken lines shown in FIGS. 1-7 illustrate portions of the kiosk that form no part of the claimed design.

1 Claim, 6 Drawing Sheets

- (56) **References Cited**
U.S. PATENT DOCUMENTS
D408,458 S 4/1999 Hempel
D410,448 S 6/1999 Honaker et al.
D415,330 S 10/1999 King
D436,630 S 1/2001 Gonsiorowski et al.
D436,999 S 1/2001 Cronley
D449,726 S 10/2001 Lin
D452,712 S 1/2002 Kim
D452,884 S 1/2002 Metral
D471,188 S 3/2003 Dye et al.



(56)

References Cited

U.S. PATENT DOCUMENTS

D762,635 S	*	8/2016	Szeredi	D14/307	D848,211 S	5/2019	Abatemarco, Jr.	
D763,247 S		8/2016	Yepez et al.		D854,538 S	7/2019	Szeredi et al.	
D763,844 S		8/2016	Solis		D854,539 S	7/2019	Szeredi et al.	
D769,569 S		10/2016	Kennedy et al.		D857,007 S	*	8/2019	Pitallano D14/307
D774,029 S		12/2016	Kim et al.		D857,689 S		8/2019	Birgeoglu
D776,651 S		1/2017	Yates		D864,193 S	*	10/2019	Oosawa D14/307
D781,279 S		3/2017	Horn		D864,947 S		10/2019	Poll
D781,843 S		3/2017	Horn		D883,278 S		5/2020	Yepez et al.
D782,466 S	*	3/2017	Yepez	D14/307	D896,310 S		9/2020	Dickson
D782,467 S		3/2017	Bladwell		D900,089 S	*	10/2020	Harris D14/307
D783,596 S		4/2017	Payne et al.		D900,804 S	*	11/2020	Mugica D14/307
D789,220 S		6/2017	Deaderick et al.		D912,039 S		3/2021	Dillion et al.
D799,471 S		10/2017	Brown et al.		D918,893 S		5/2021	Bonilla et al.
D806,698 S	*	1/2018	Thompson	D14/307	D920,429 S	*	5/2021	Hoinowski D14/126
D806,978 S		1/2018	Gerlach et al.		D922,995 S		6/2021	Lin et al.
D807,340 S		1/2018	Foster et al.		D924,222 S		7/2021	Lee et al.
D812,616 S		3/2018	Potash		D925,519 S		7/2021	Aughney et al.
D813,223 S		3/2018	Munro et al.		D928,772 S	*	8/2021	Ahn D14/307
D816,077 S		4/2018	Benic et al.		D933,647 S		10/2021	Bonilla et al.
D835,926 S		12/2018	Abatemarco, Jr.		D937,823 S	*	12/2021	Ahn D14/307
D836,625 S		12/2018	Szeredi et al.		D947,846 S	*	4/2022	Chandrasekaran D14/384
					D951,934 S	*	5/2022	Swee D14/307
					D951,935 S	*	5/2022	Ushery, Jr. D14/307

* cited by examiner

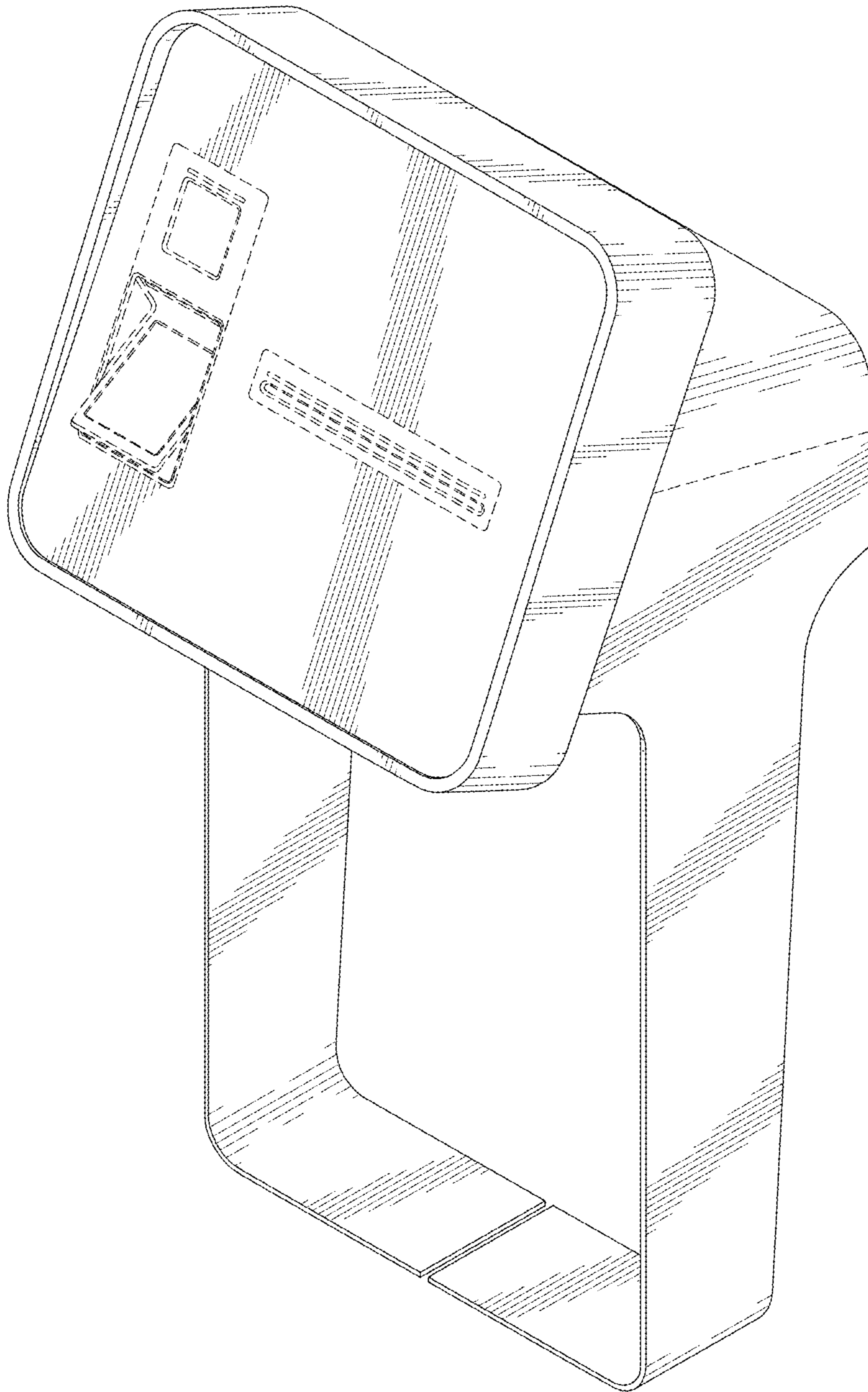


FIG. 1

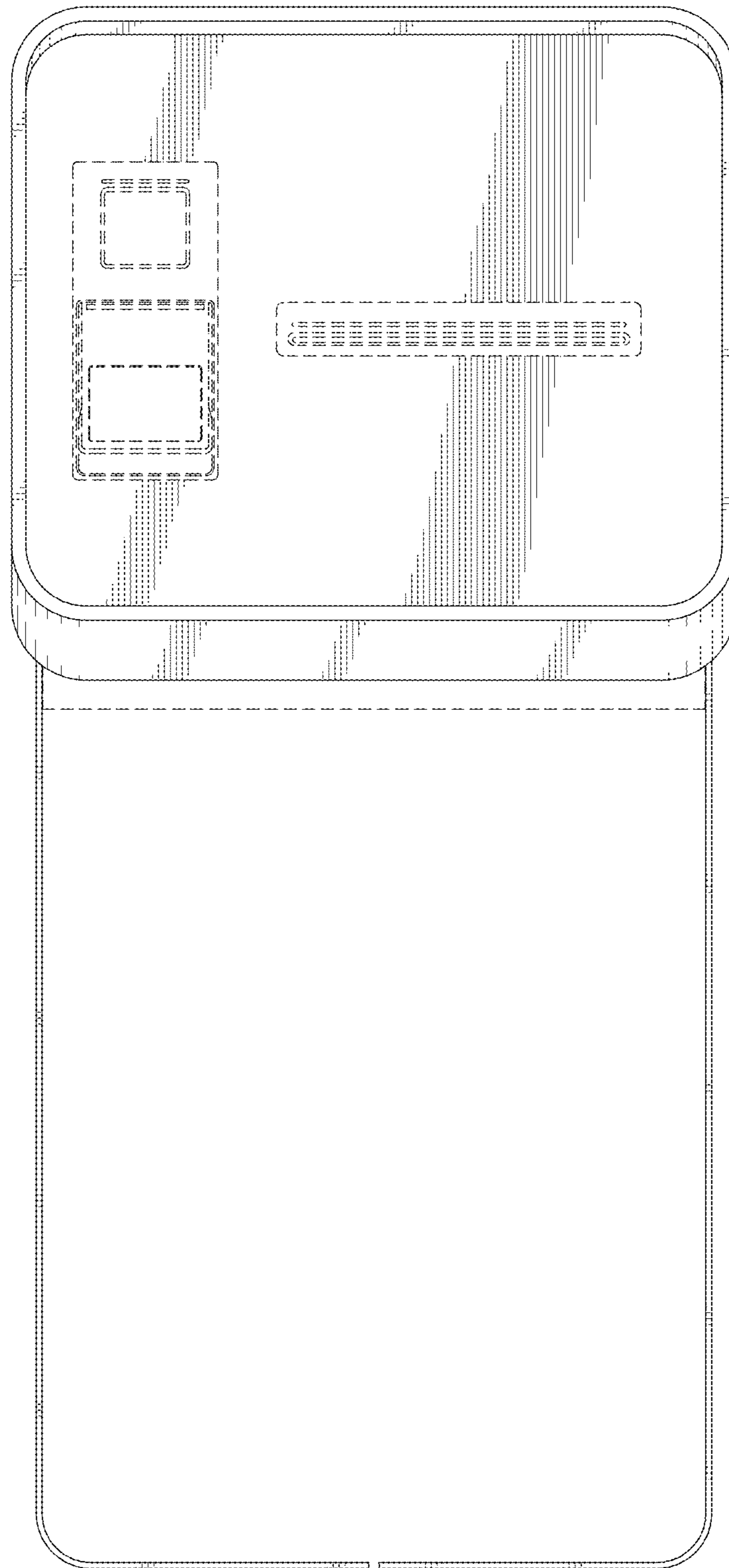


FIG. 2

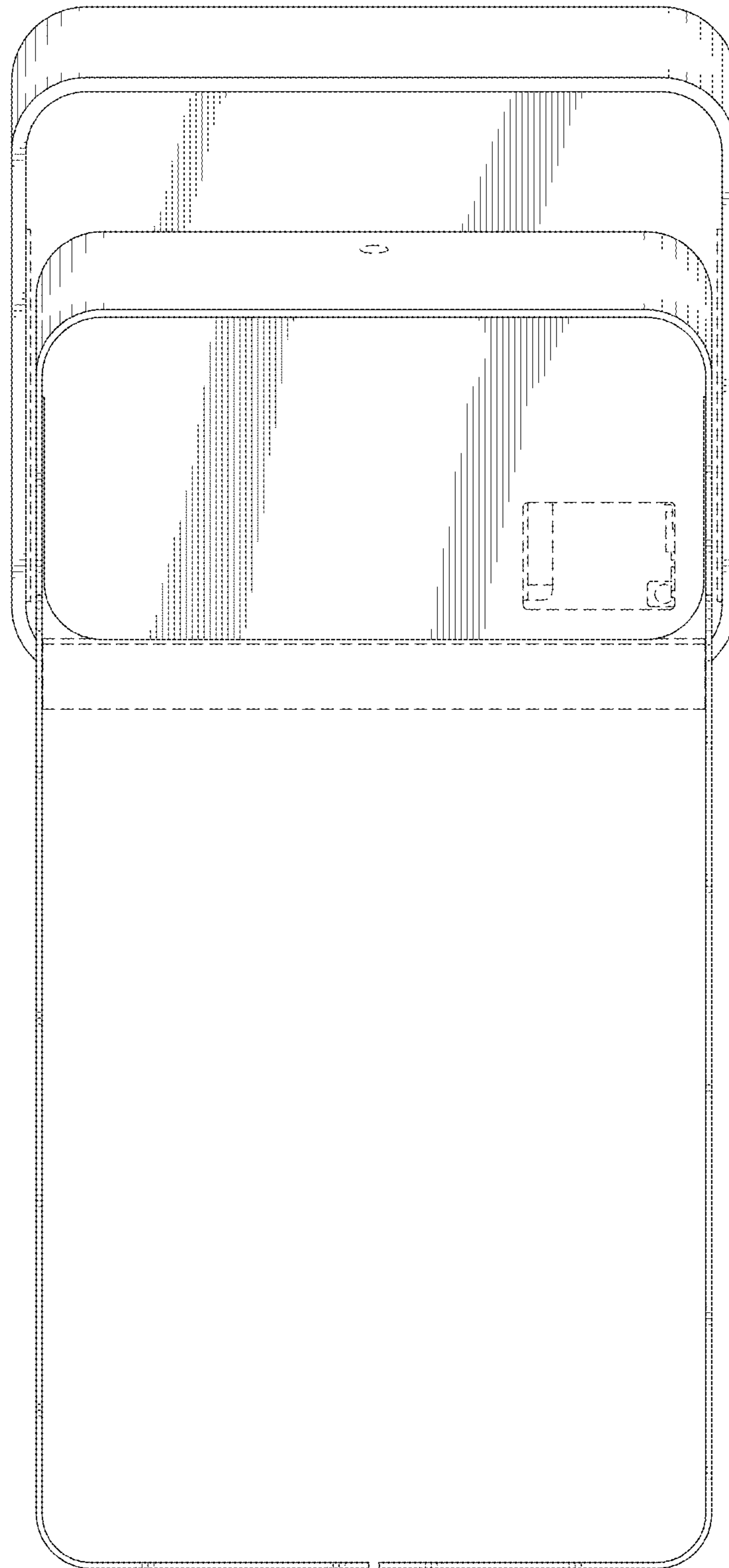


FIG. 3

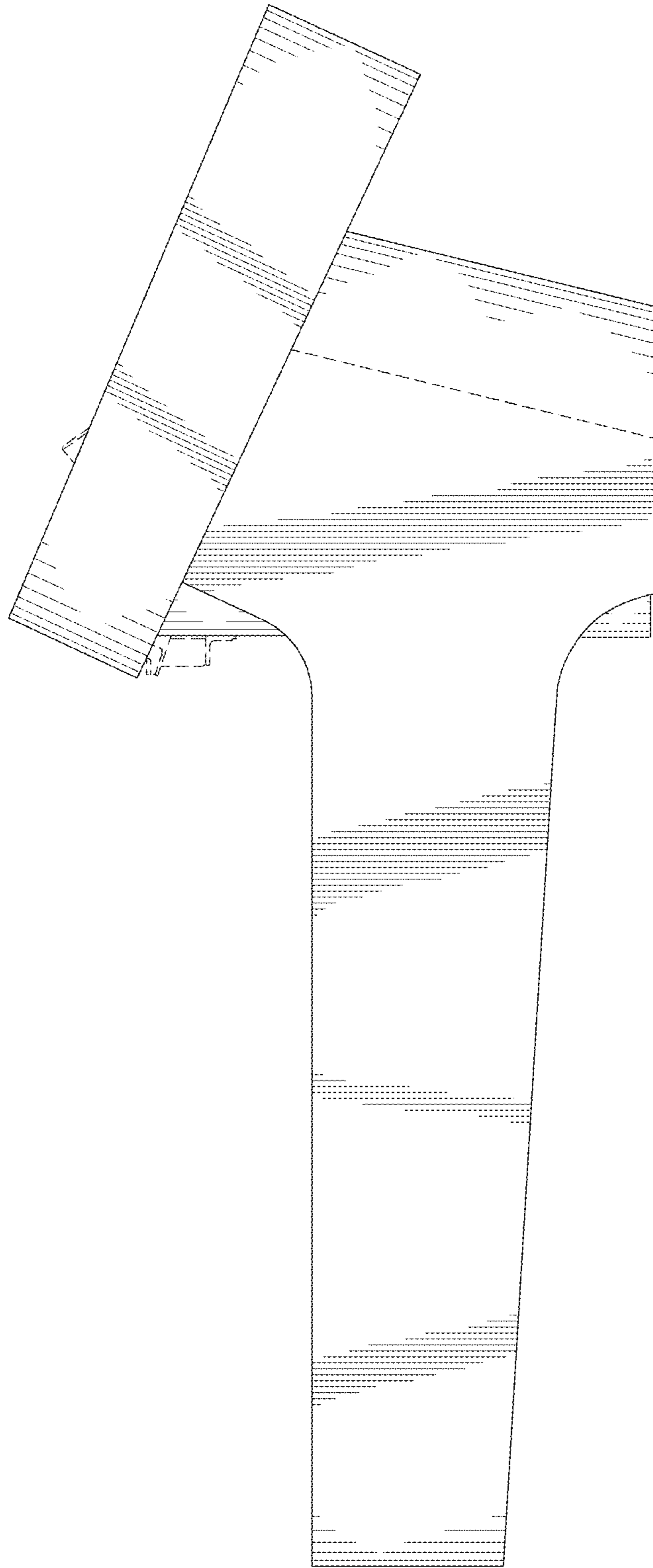


FIG. 4

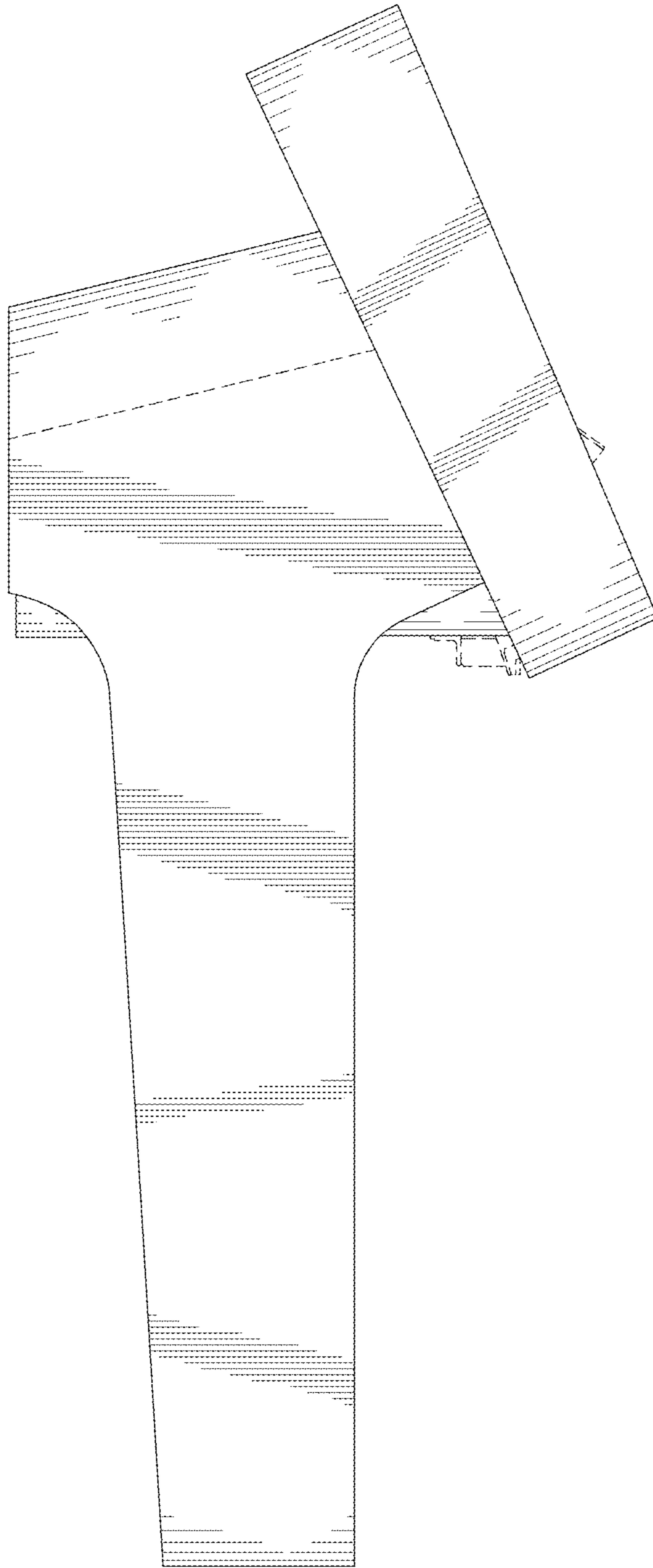


FIG. 5

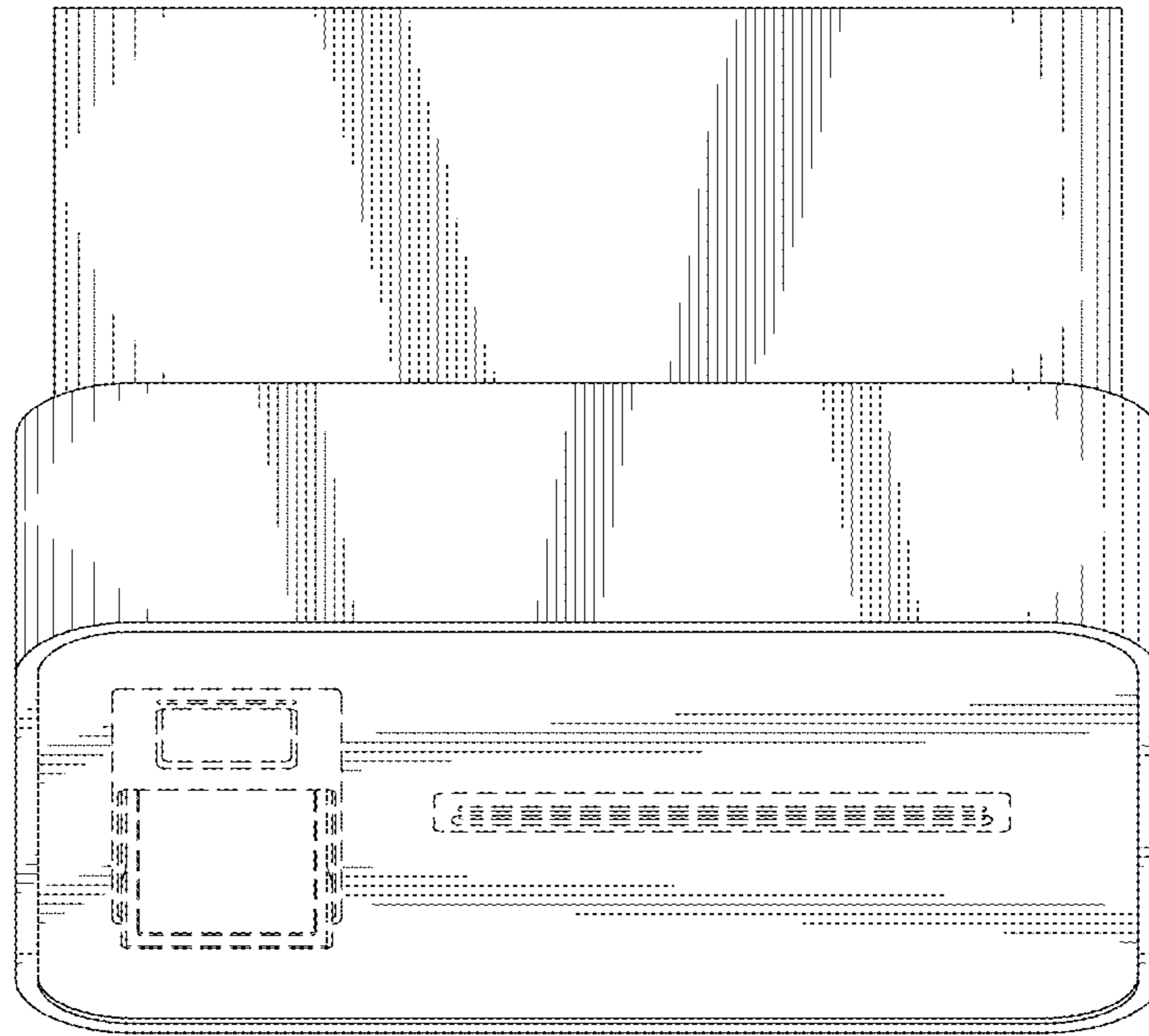


FIG. 6

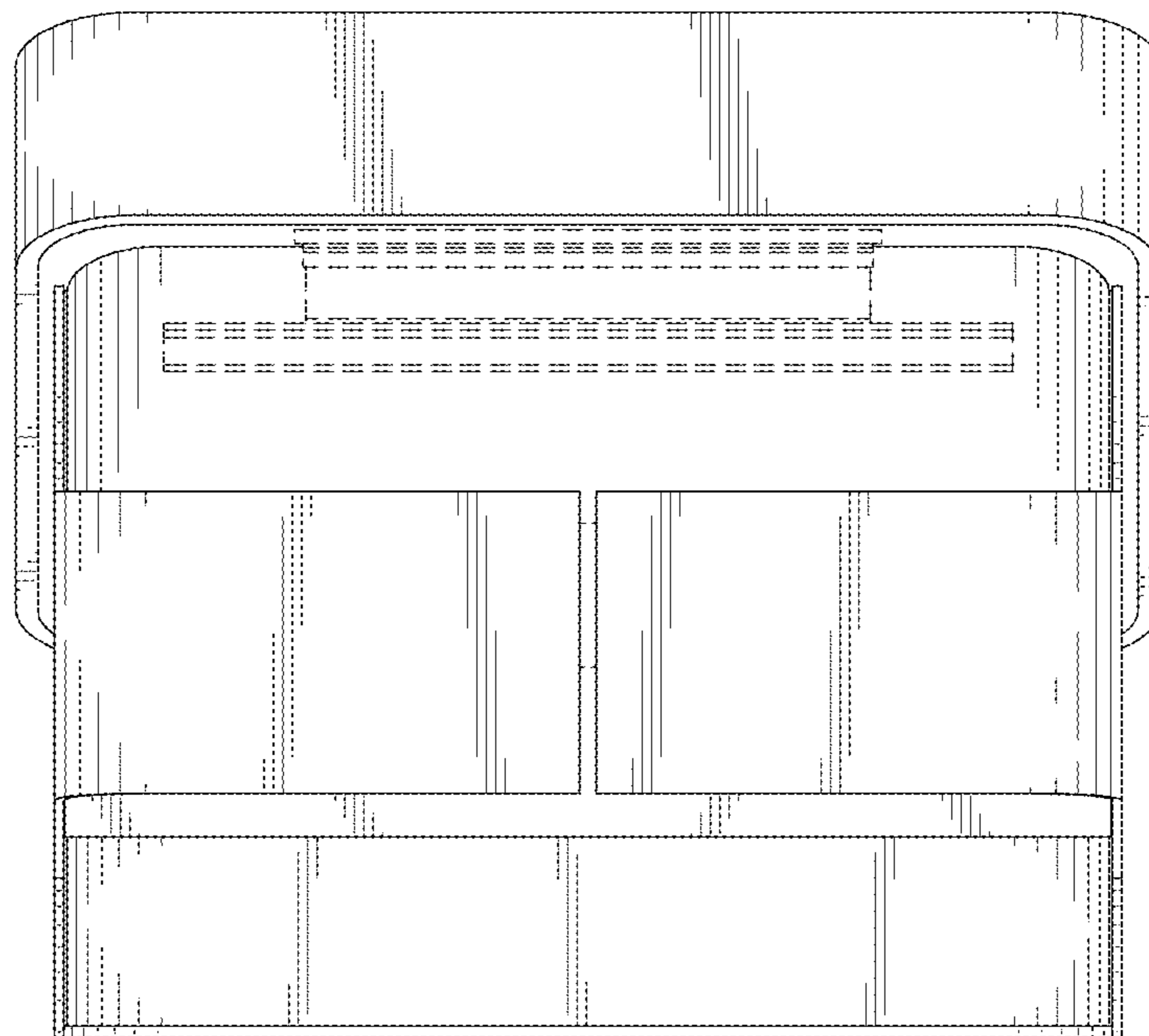


FIG. 7