



US00D964981S

(12) **United States Design Patent**
Liang

(10) **Patent No.:** **US D964,981 S**

(45) **Date of Patent:** **** Sep. 27, 2022**

(54) **PHONE RING HOLDER**

(71) Applicant: **Dongguan Xishi E-Commerce Co., Ltd.**, Guangdong (CN)

(72) Inventor: **Xiqin Liang**, Guangdong (CN)

(**) Term: **15 Years**

(21) Appl. No.: **29/829,494**

(22) Filed: **Mar. 4, 2022**

(30) **Foreign Application Priority Data**

Dec. 10, 2021 (CN) 202130817684.5

(51) **LOC (13) Cl.** **14-03**

(52) **U.S. Cl.**
USPC **D14/253; D3/218**

(58) **Field of Classification Search**
USPC D14/250–253, 440, 447; D12/415;
D3/218

CPC H04M 1/04; B60R 11/0241; A45F
2200/0516; A45F 2200/0525

See application file for complete search history.

(56) **References Cited**

U.S. PATENT DOCUMENTS

- D753,912 S * 4/2016 Spero A45F 5/021
D3/218
- 9,421,920 B2 * 8/2016 Jang B60R 11/0252
- D768,635 S * 10/2016 Due D14/432
- D782,488 S * 3/2017 Kim D14/447
- D782,489 S * 3/2017 Kim D14/447
- D815,086 S * 4/2018 Jeon D14/251
- D824,661 S * 8/2018 Votel D3/228
- D825,572 S * 8/2018 Kim D14/447
- D826,705 S * 8/2018 Zhou D8/401
- D829,722 S * 10/2018 Kim D14/447
- D833,448 S * 11/2018 Kilkenny D14/447
- D844,598 S * 4/2019 Jang D14/251
- 10,278,299 B2 * 4/2019 Kim F16M 13/04
- D855,048 S * 7/2019 Kim D14/253

- D855,049 S * 7/2019 Kim D14/253
- D858,507 S * 9/2019 Jang D14/251
- D859,417 S * 9/2019 Kim D14/447
- D863,288 S * 10/2019 Wu D14/251
- D866,546 S * 11/2019 Stillwell D14/251
- D871,389 S * 12/2019 Lim D14/447
- D874,454 S * 2/2020 Lederer D14/251

(Continued)

OTHER PUBLICATIONS

Emzrivo Cell Phone Ring Holder Stand, Amazon, Jun. 6, 2021.
<https://www.amazon.com/dp/B096QSJZMX/ref=cm_sw_em_r_mt_dp_RMX36F7CND2ZSW1XB0CW> (Year: 2021).*

(Continued)

Primary Examiner — Janice Hallmark

(74) *Attorney, Agent, or Firm* — Che-Yang Chen; Law Office of Michael Chen

(57) **CLAIM**

The ornamental design for a phone ring holder, as shown and described.

DESCRIPTION

FIG. 1 is a perspective view of the phone ring holder showing my new design;

FIG. 2 is a perspective view thereof from another angle;

FIG. 3 is a front elevational view thereof;

FIG. 4 is a rear elevational view thereof;

FIG. 5 is a left side elevational view thereof;

FIG. 6 is a right side elevational view thereof;

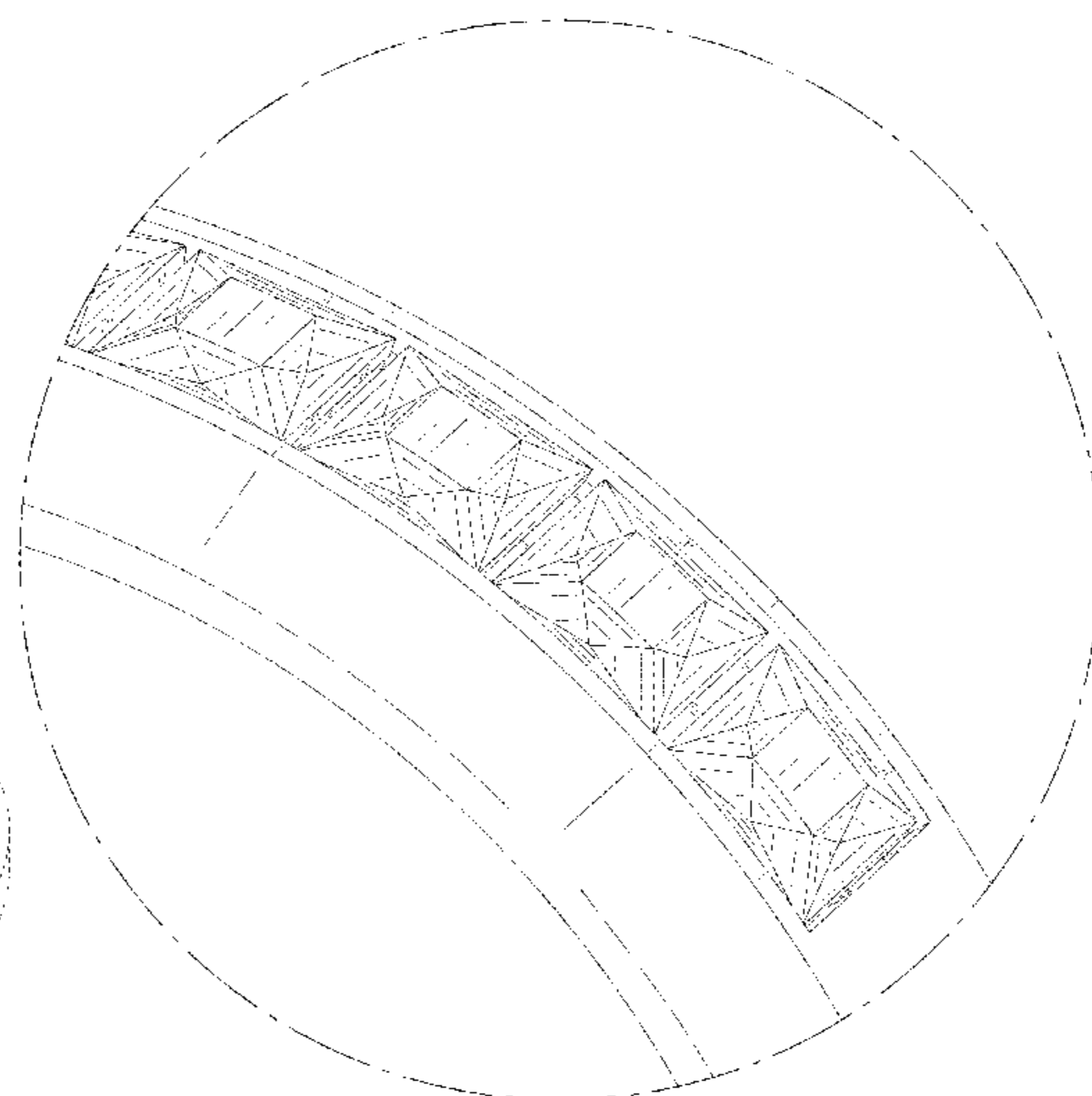
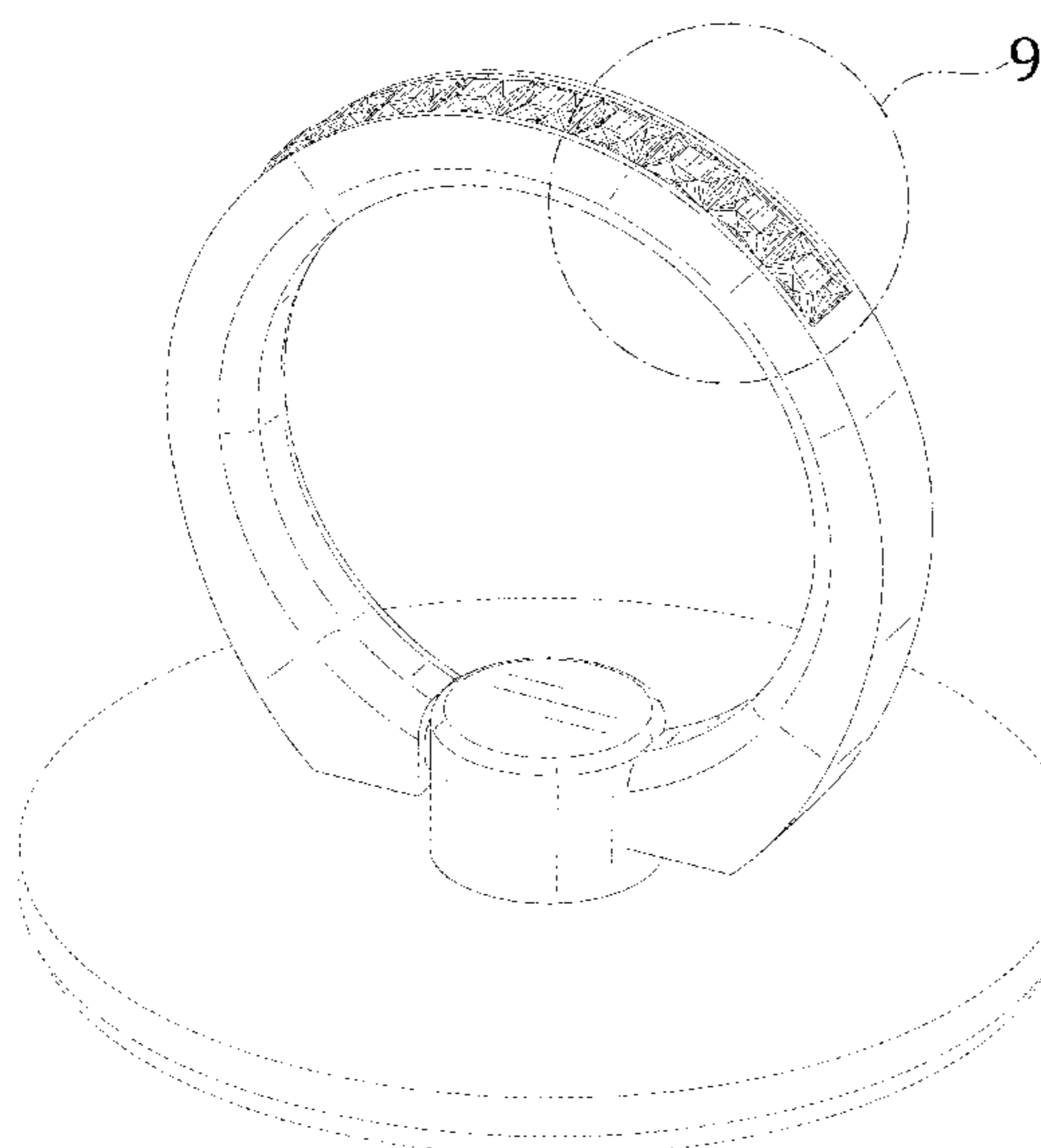
FIG. 7 is a top plan view thereof;

FIG. 8 is a bottom plan view thereof; and,

FIG. 9 is an enlarged view of a portion indicated with numeric 9 in FIG. 1.

The broken lines shown in the drawings are included for the purpose of illustrating portions of the phone ring holder that form no part of the claimed design.

1 Claim, 9 Drawing Sheets



(56)

References Cited

U.S. PATENT DOCUMENTS

D885,376 S * 5/2020 He D3/218
D902,194 S * 11/2020 Gluck D3/249
D904,386 S * 12/2020 Luo D3/218
D906,328 S * 12/2020 Kim D14/253
D912,282 S * 3/2021 Kim D26/28
D931,847 S * 9/2021 Min D14/253
D933,057 S * 10/2021 Kim D14/251
11,265,035 B1 * 3/2022 Zhang F16B 1/00
2016/0353867 A1 * 12/2016 Due A45F 5/10
2022/0117384 A1 * 4/2022 Whitten F16M 13/005

OTHER PUBLICATIONS

YINHEXI Transparent Phone Ring Stand, Amazon, Sep. 9, 2020.
<https://www.amazon.com/dp/B08HN87GQJ/ref=cm_sw_em_r_mt_dp_CWV7TDVX1SC0EJYPGFZ2?_encoding=UTF8&psc=1> (Year: 2020).*

* cited by examiner

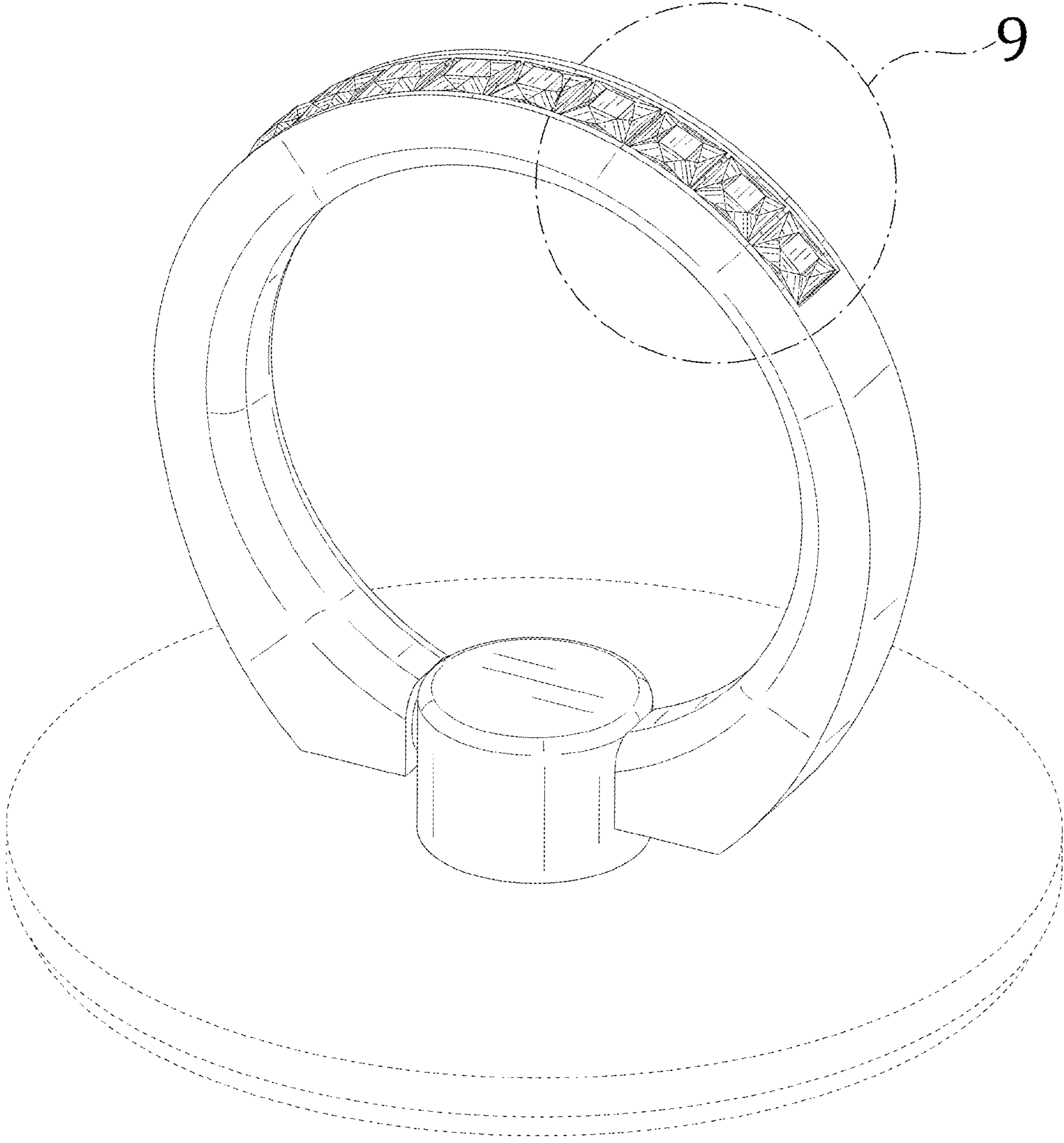


FIG. 1

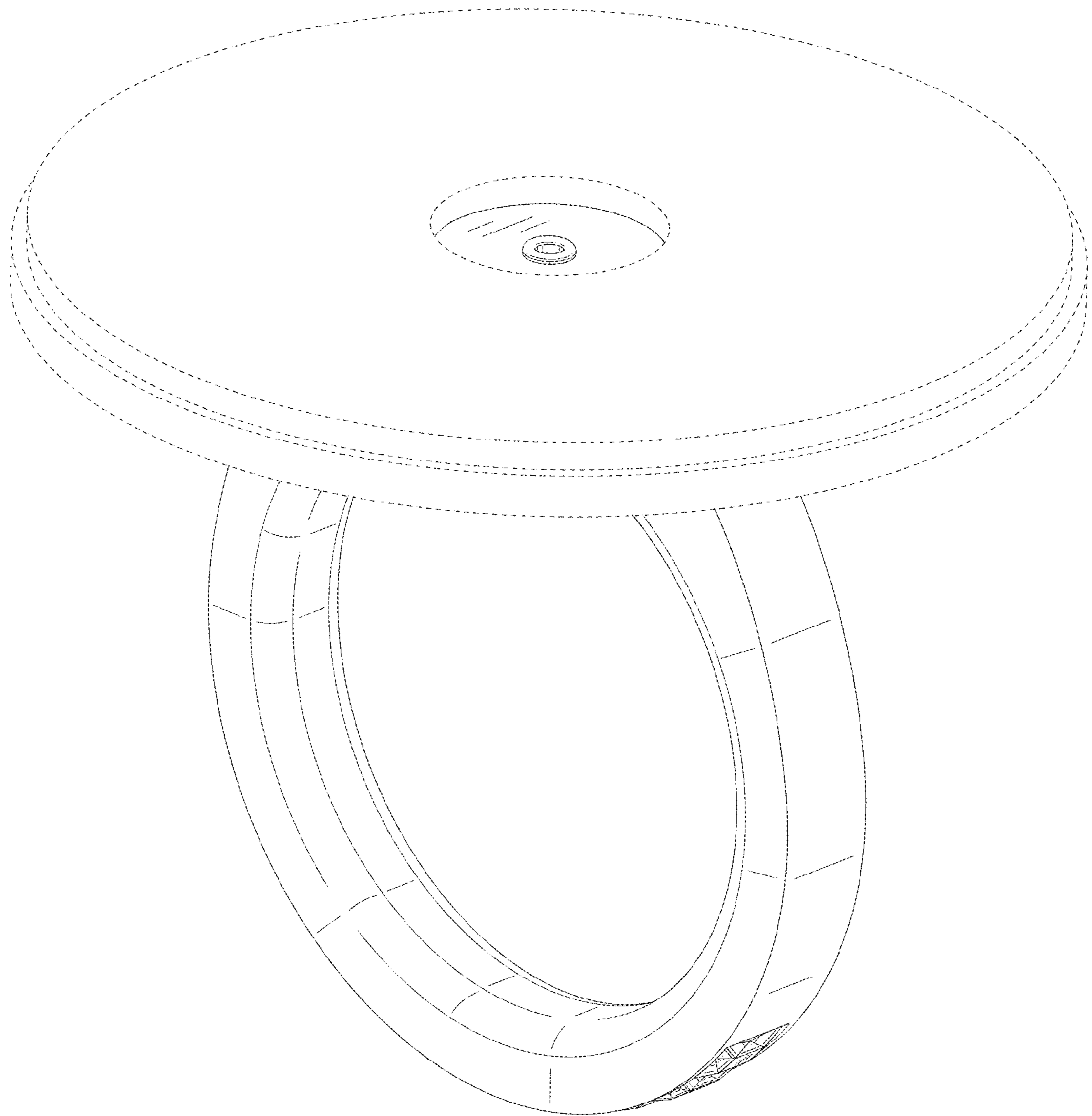


FIG. 2

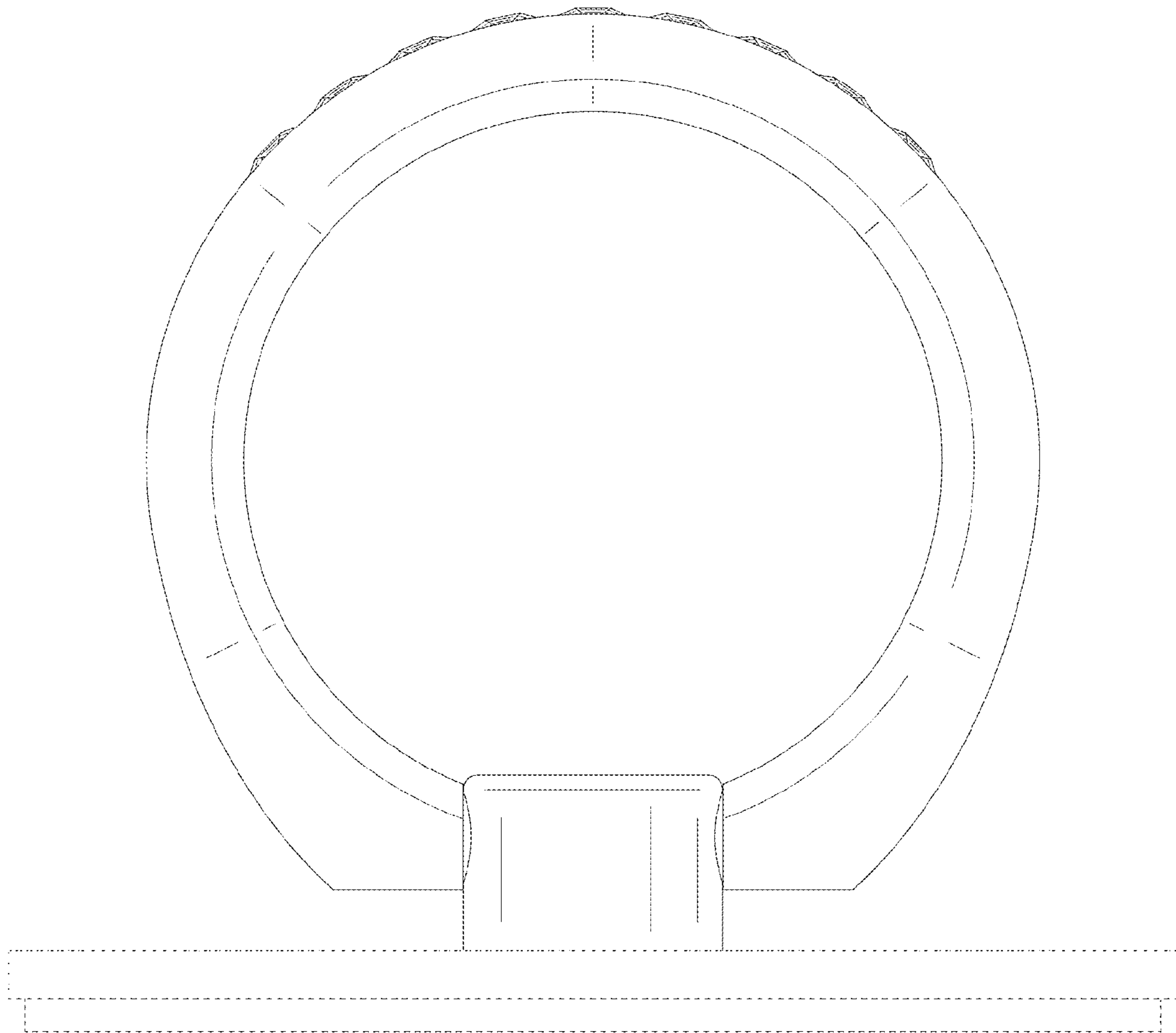


FIG. 3

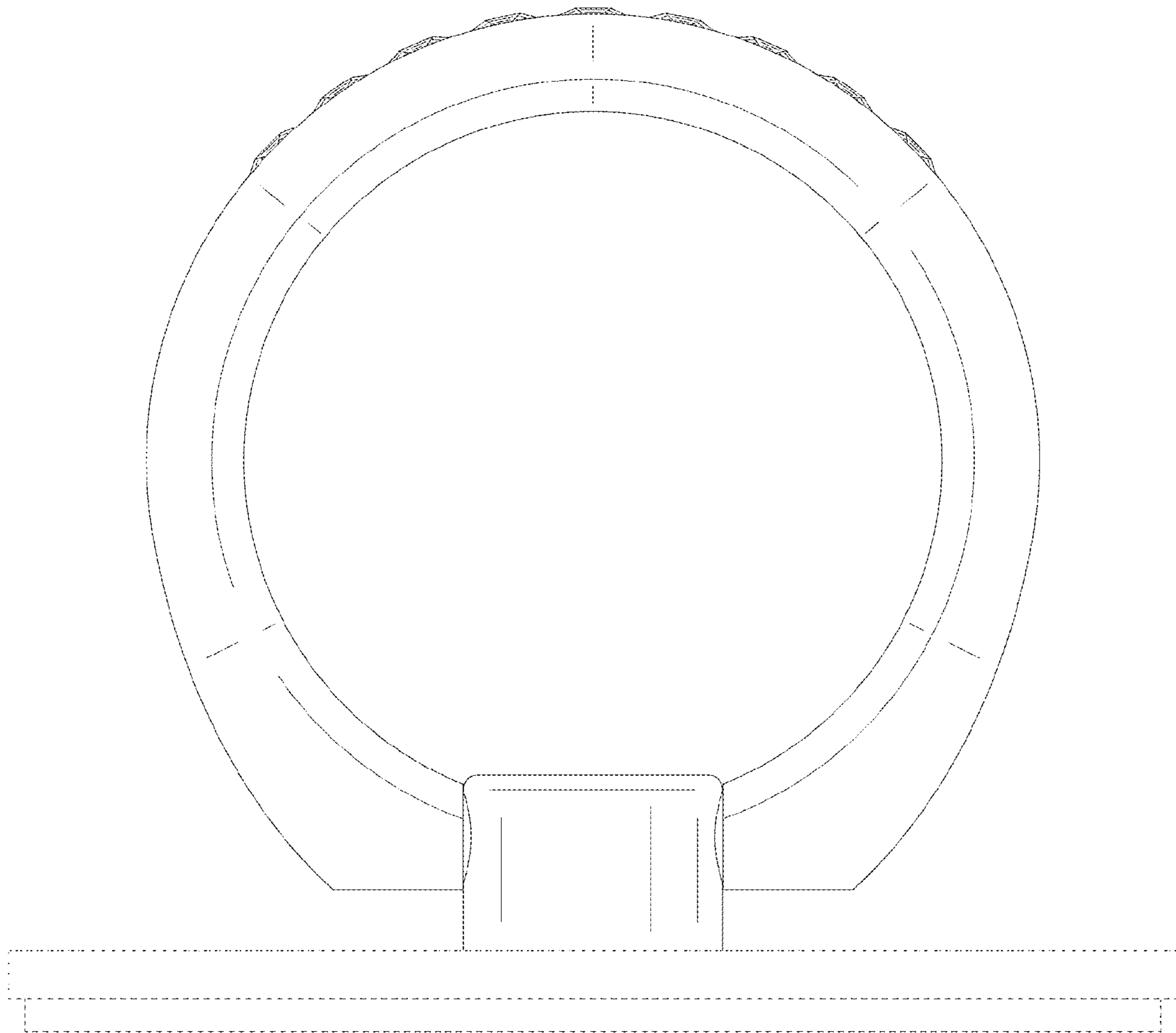


FIG. 4

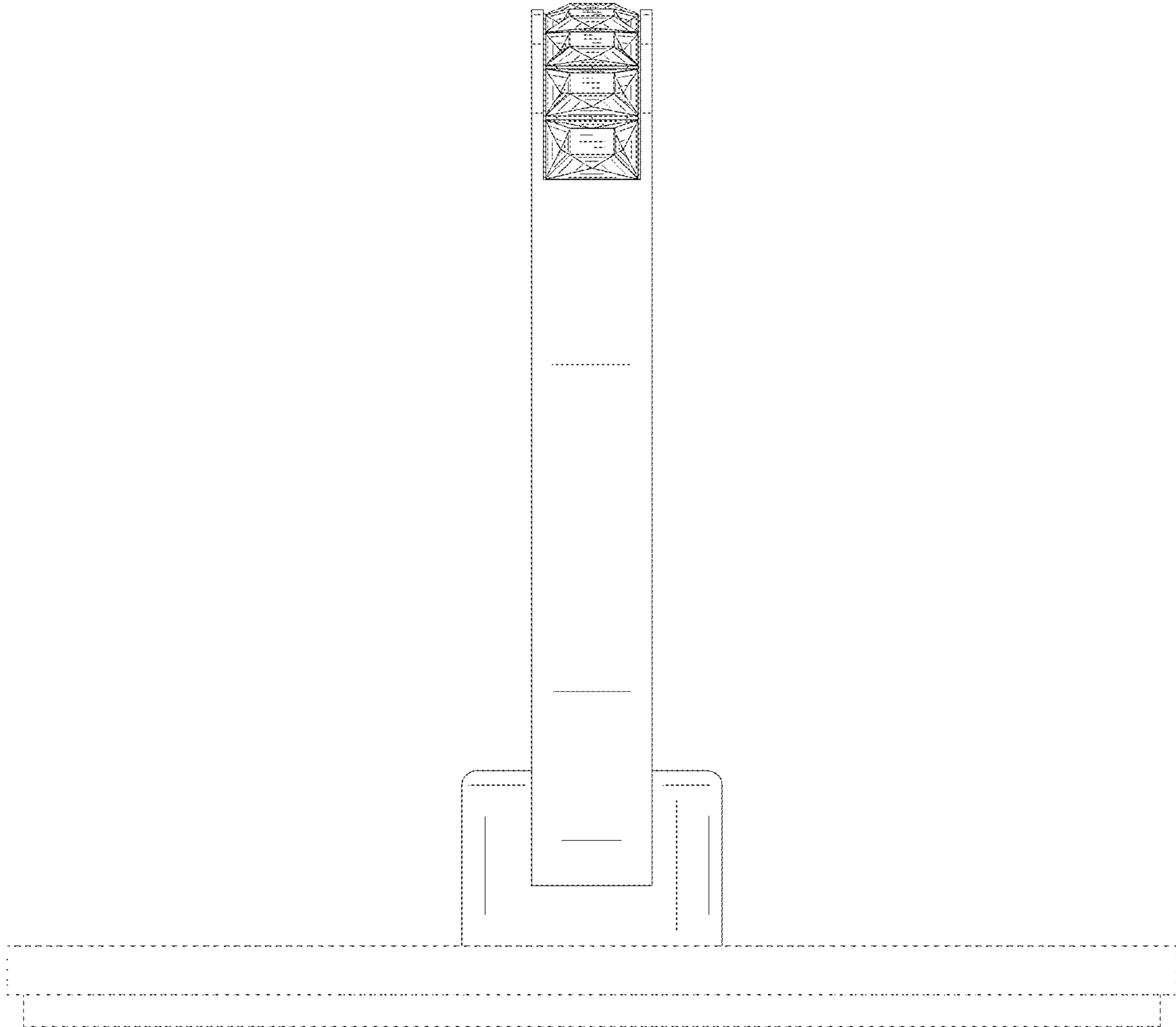


FIG. 5

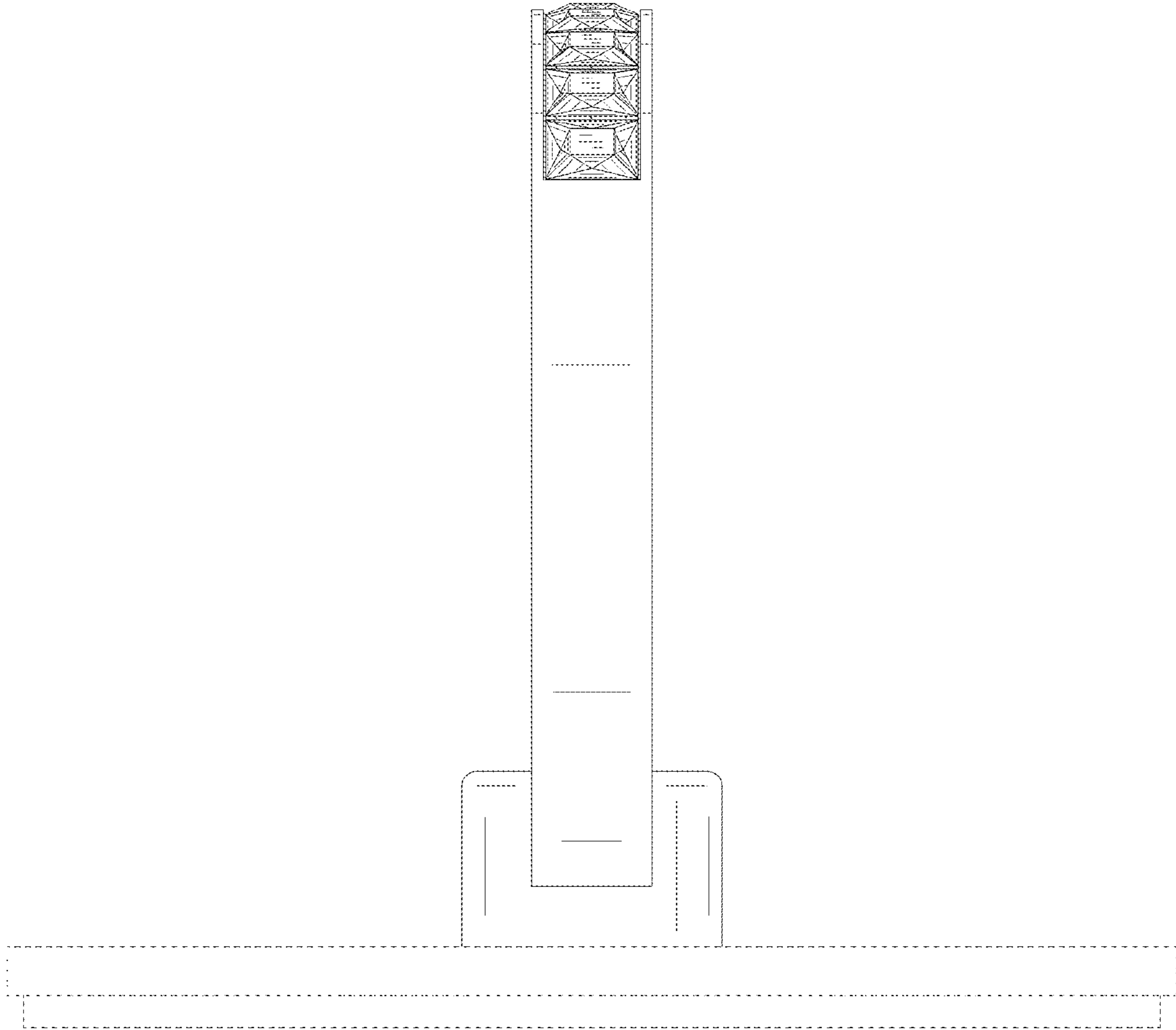


FIG. 6

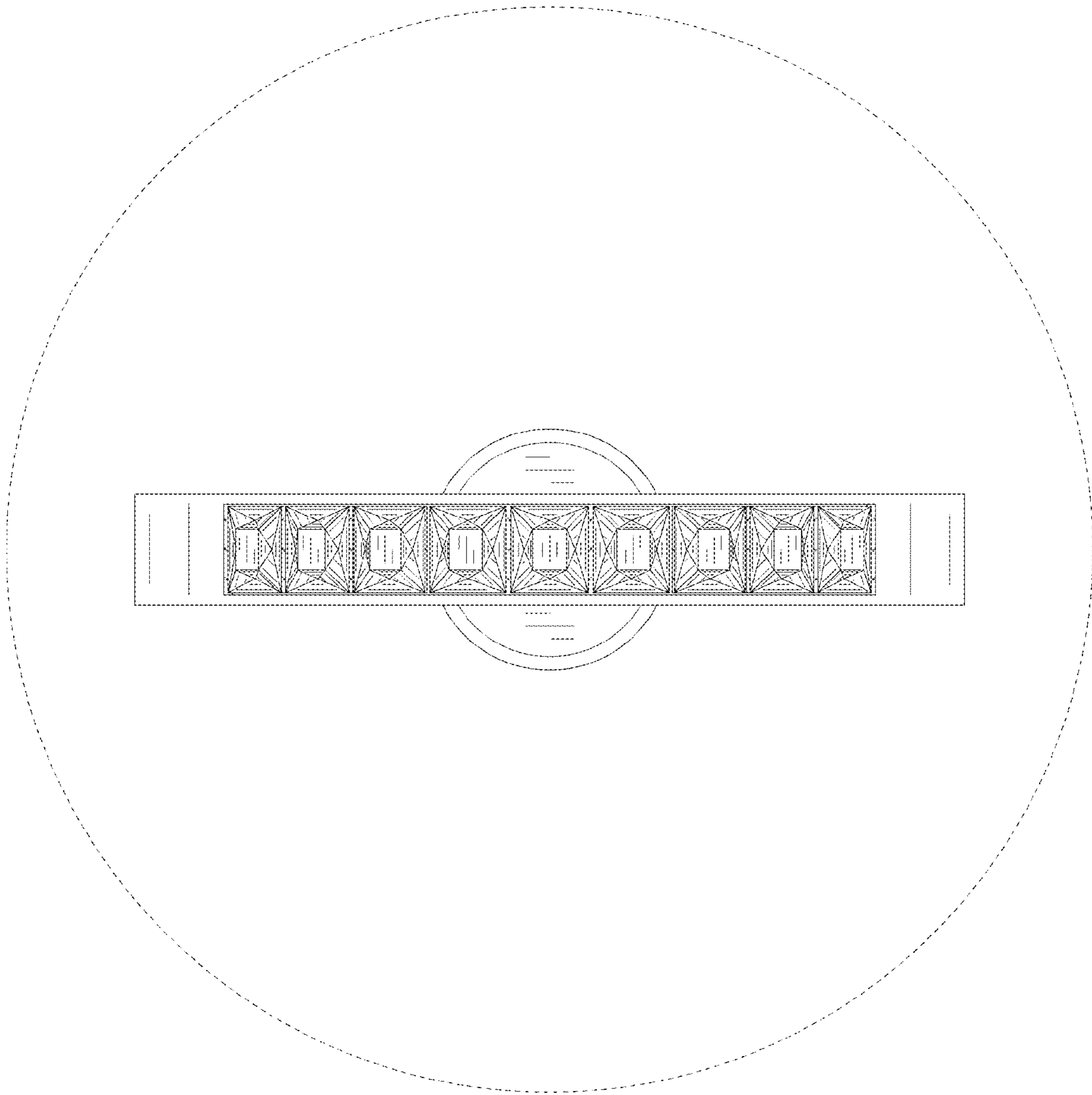


FIG. 7



FIG. 8

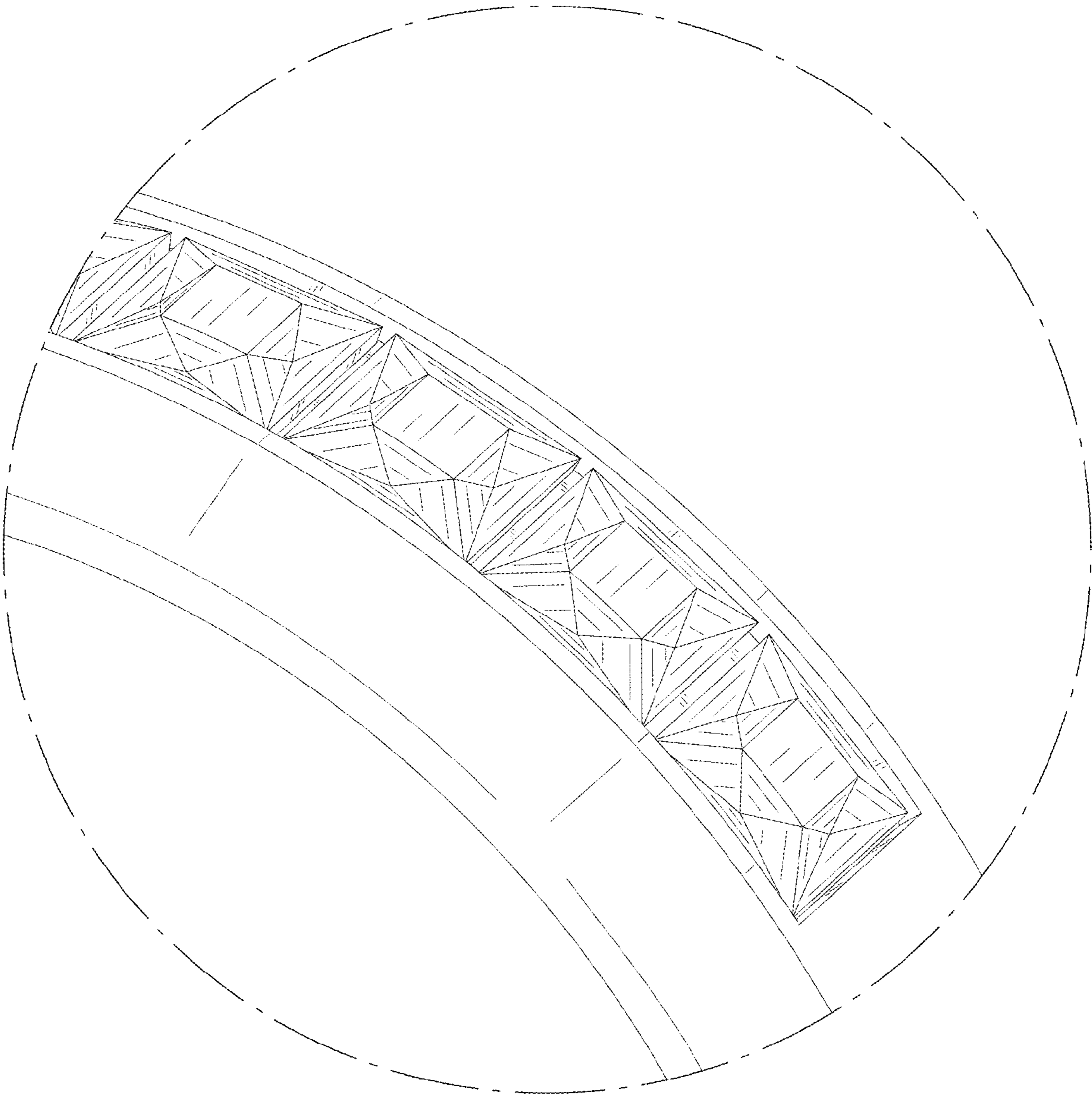


FIG. 9