

US00D964977S

(12) **United States Design Patent**
Weng

(10) **Patent No.:** **US D964,977 S**

(45) **Date of Patent:** **** Sep. 27, 2022**

- (54) **CASE FOR ELECTRONIC COMMUNICATION DEVICE**
- (71) Applicant: **SHENZHEN GUANGYIPENG TECHNOLOGY CO., LTD.**, Shenzhen (CN)
- (72) Inventor: **Jie Weng**, Shenzhen (CN)
- (73) Assignee: **SHENZHEN GUANGYIPENG TECHNOLOGY CO., LTD.**, Shenzhen (CN)

- 7,515,708 B1 * 4/2009 Doty, III H04M 1/19 379/451
- D649,537 S * 11/2011 Magness D14/250
- D650,371 S * 12/2011 Wibby D14/238.1
- D651,204 S * 12/2011 Wibby D14/250
- D683,339 S * 5/2013 Weller D14/250
- D687,027 S * 7/2013 Melanson D14/250
- D696,237 S * 12/2013 Murchison D14/250
- D707,217 S * 6/2014 Toulotte D14/250
- D802,575 S 11/2017 Castro
- D806,082 S * 12/2017 Armstrong D14/440

(Continued)

Primary Examiner — Carla J Wright

- (**) Term: **15 Years**
- (21) Appl. No.: **29/811,546**
- (22) Filed: **Oct. 15, 2021**
- (51) **LOC (13) Cl.** **14-03**
- (52) **U.S. Cl.**
USPC **D14/250**
- (58) **Field of Classification Search**
USPC D14/203.3–203.7, 439, 447, 251–253, D14/217, 240, 238.1, 440, 248, 250; D13/103, 107–108, 119; D3/201, 218, D3/247, 249, 269, 273, 301, 303, 294
CPC H04B 1/3888; A45C 13/02; A45C 11/00; A45C 2011/002; A45C 1/06; A45F 2200/0525; A45F 2005/026; A45F 2200/0516; H04M 1/0283; H04M 1/0202
See application file for complete search history.

(57) **CLAIM**

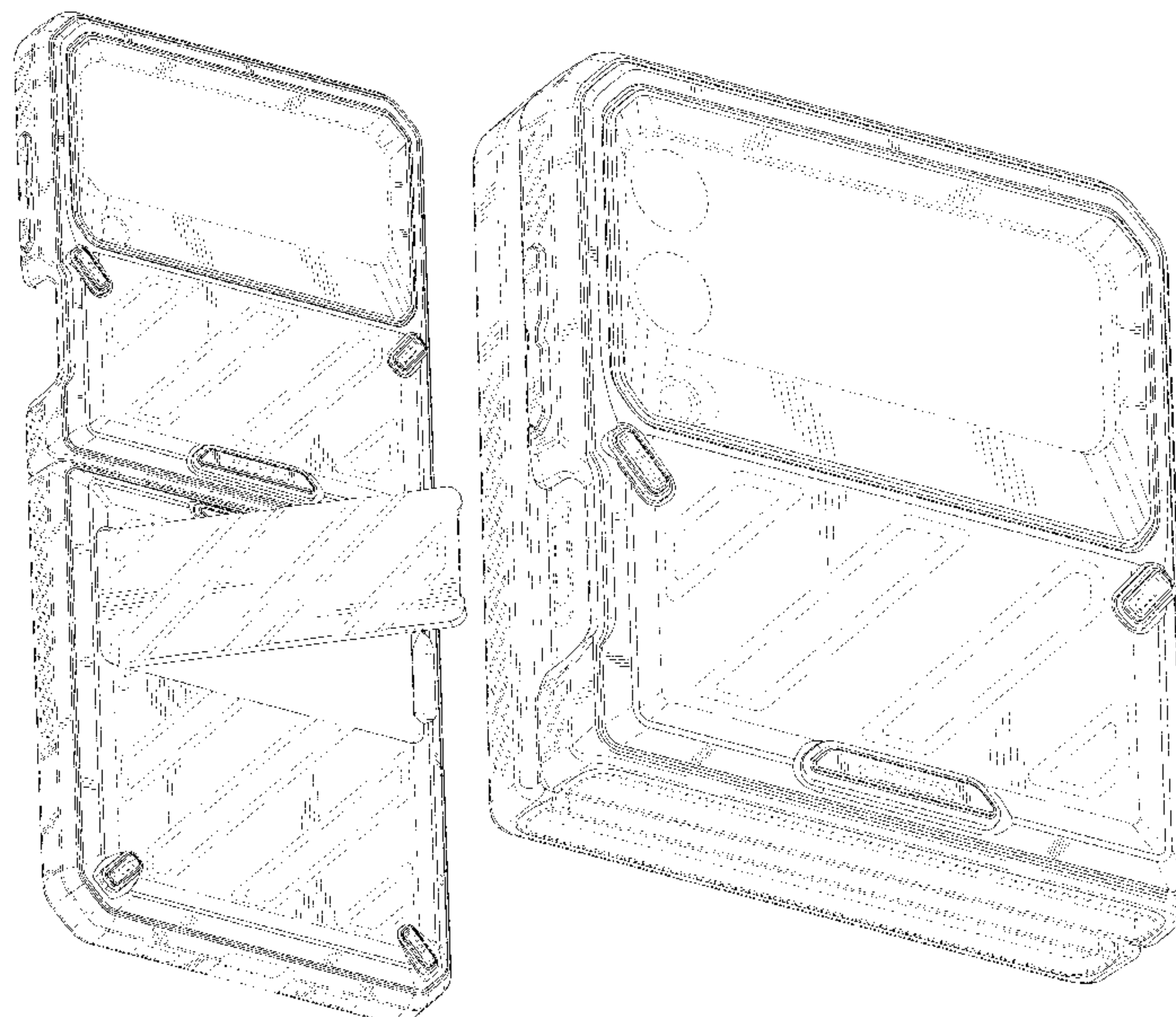
The ornamental design for a case for electronic communication device, as shown and described.

DESCRIPTION

FIG. 1 is a perspective view of a case for electronic communication device showing my new design; FIG. 2 is another perspective view thereof; FIG. 3 is a front elevational view thereof; FIG. 4 is a rear elevational view thereof; FIG. 5 is a left side elevational view thereof; FIG. 6 is a right side elevational view thereof; FIG. 7 is a top plan view thereof; FIG. 8 is a bottom plan view thereof; FIG. 9 is a perspective view of the case for electronic communication device where a kickstand of the case for electronic communication device is in an open position; and, FIG. 10 is a perspective view of the case for electronic communication device where the case for electronic communication device is in a folded state and a foldable phone is received in the case for electronic communication device. The broken lines in the drawings depict portions of the case for electronic communication device that form no part of the claimed design.

- (56) **References Cited**
U.S. PATENT DOCUMENTS
D395,749 S * 7/1998 Jayez D3/218
D448,368 S * 9/2001 Bettag D14/250
7,194,291 B2 * 3/2007 Peng H04B 1/3888 455/575.8
7,343,184 B2 * 3/2008 Rostami H04B 1/3888 455/550.1

1 Claim, 10 Drawing Sheets



(56)

References Cited

U.S. PATENT DOCUMENTS

D834,011	S	11/2018	Cheng	
D860,999	S *	9/2019	Kim	D14/440
D863,284	S *	10/2019	Luo	D14/250
D903,684	S *	12/2020	Le	D14/440
D906,315	S *	12/2020	Yun	D14/250
D906,334	S *	12/2020	Du	D14/440
D911,323	S *	2/2021	Kim	D14/250
D915,382	S *	4/2021	Koo	D14/250
D933,056	S *	10/2021	Kwon	D14/250
D933,644	S *	10/2021	Choi	D14/250
D937,250	S *	11/2021	Jakobuco	D14/250
D947,829	S *	4/2022	Choi	D14/250
2007/0201689	A1 *	8/2007	Uramoto	H04B 1/3888 379/451
2018/0139857	A1 *	5/2018	Cavenagh	H05K 5/0004

* cited by examiner

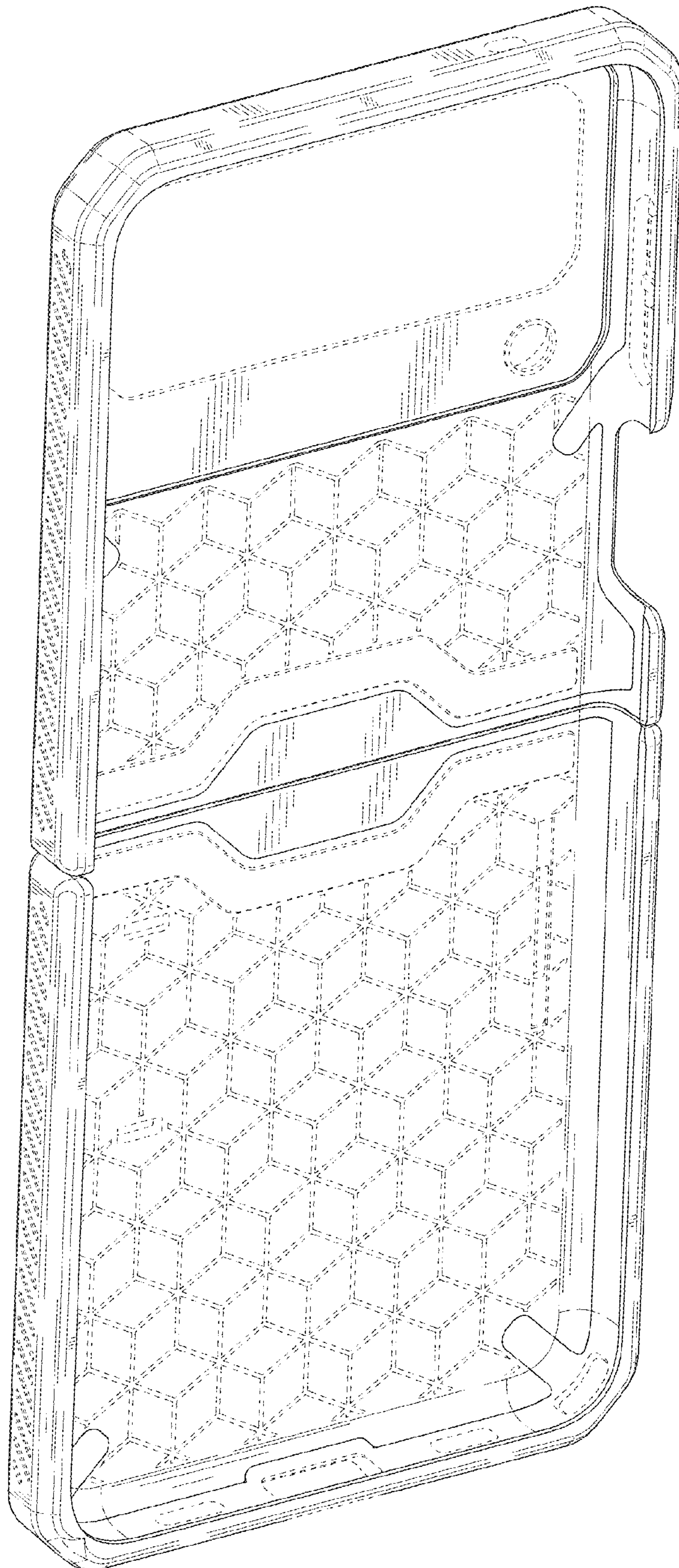


FIG. 1

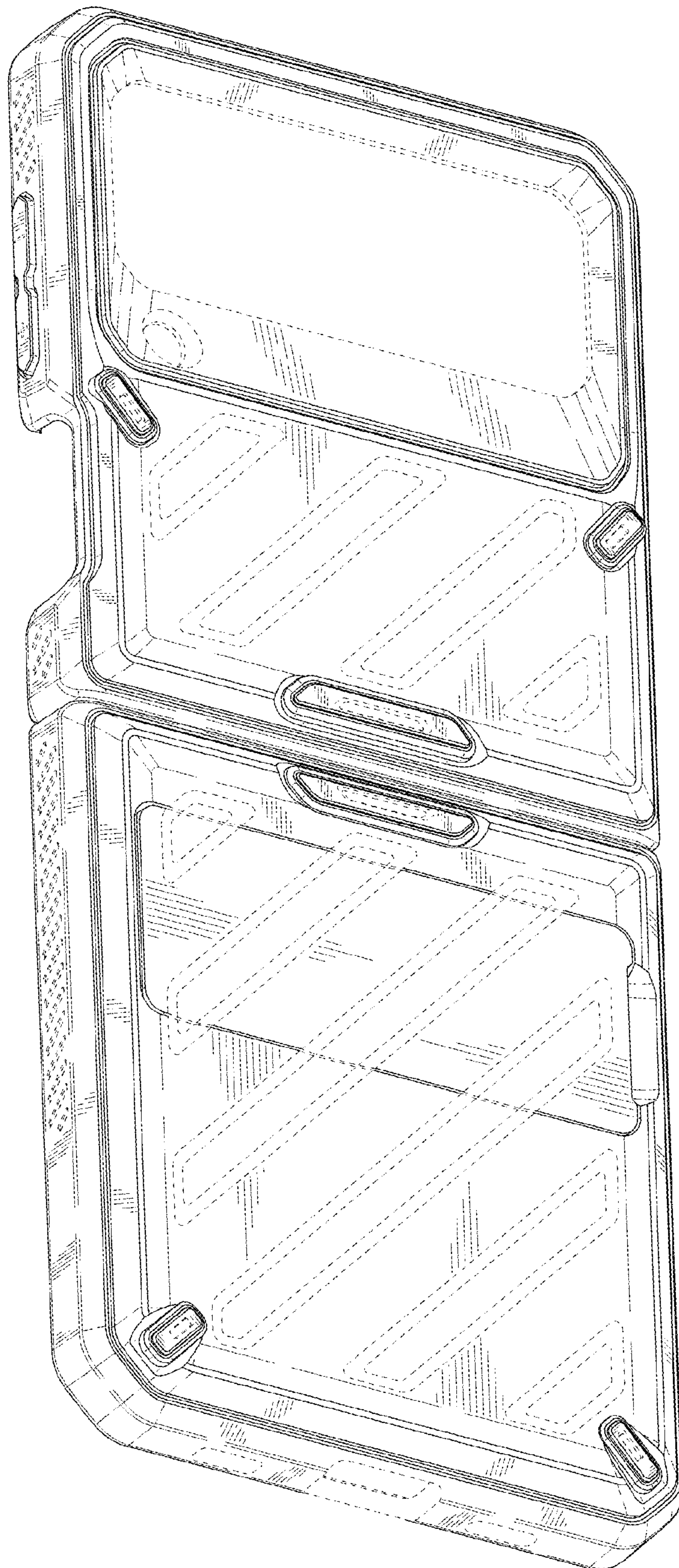


FIG. 2

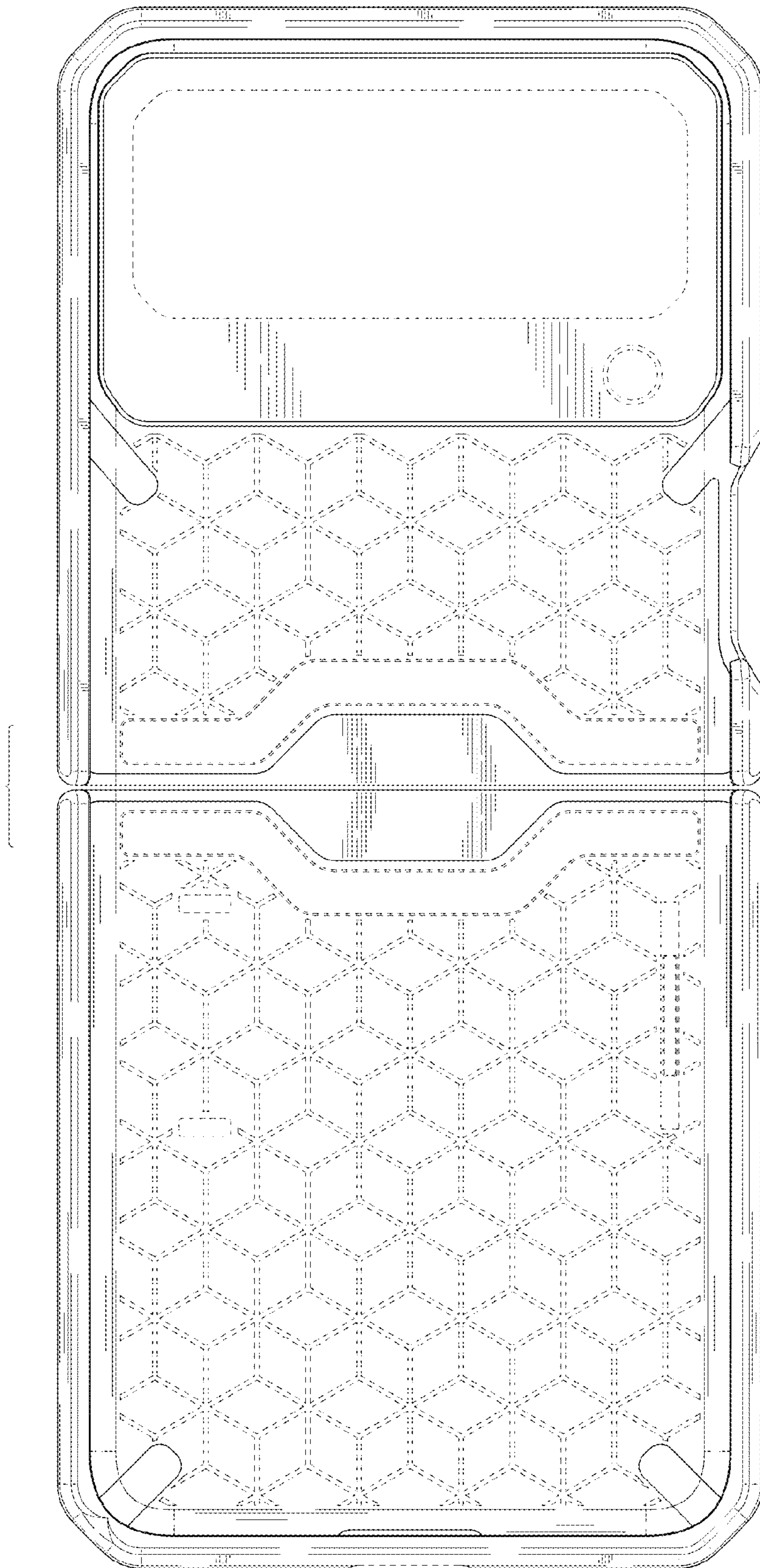


FIG. 3

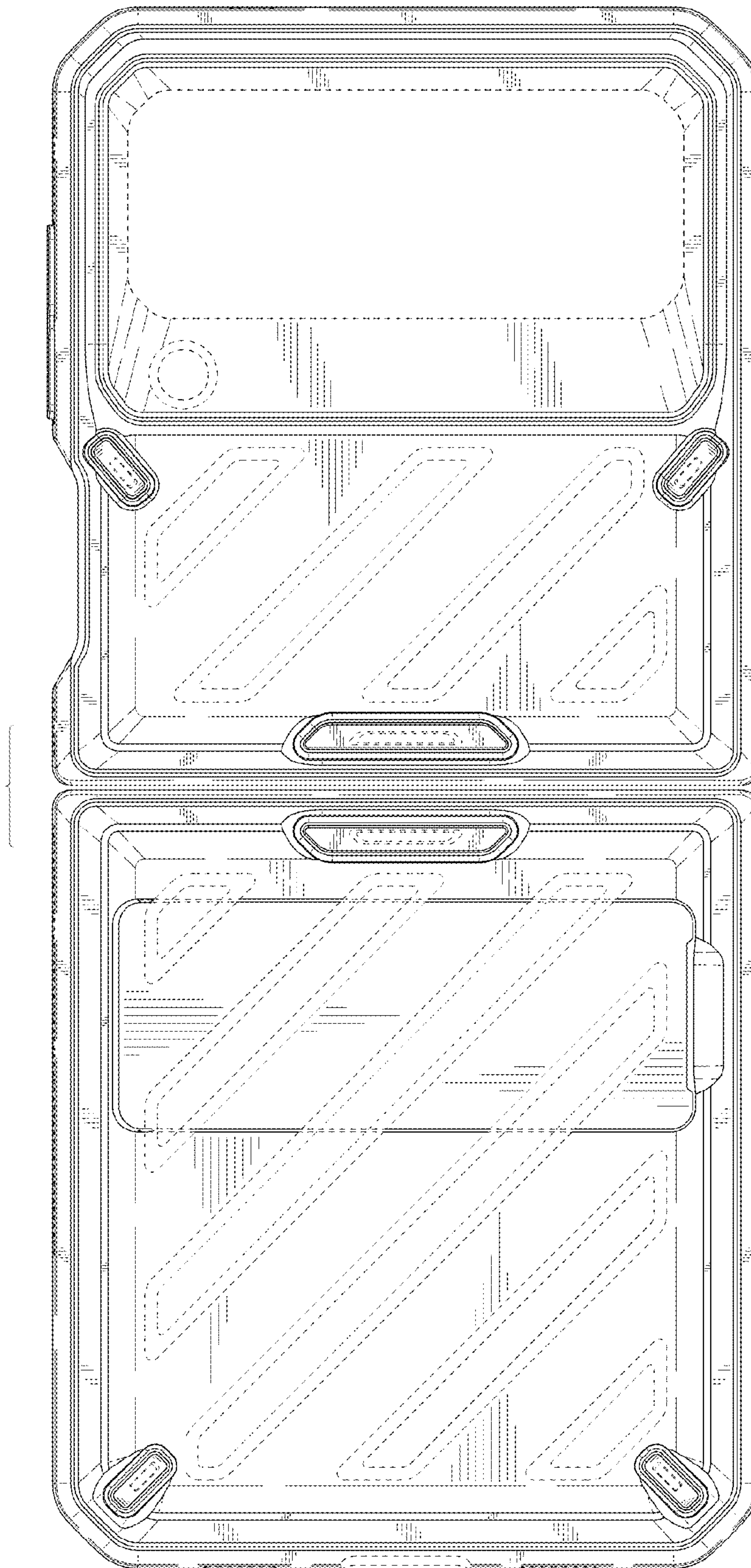


FIG. 4

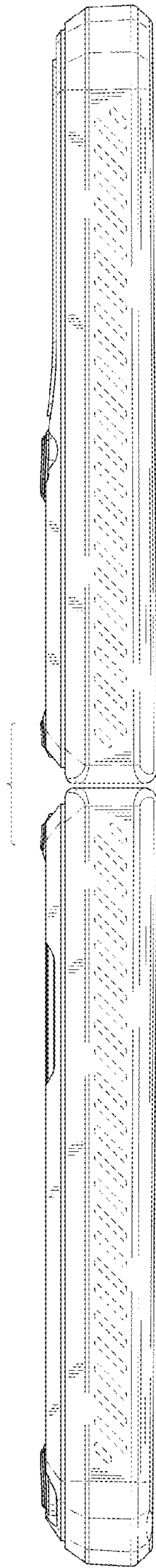


FIG. 5

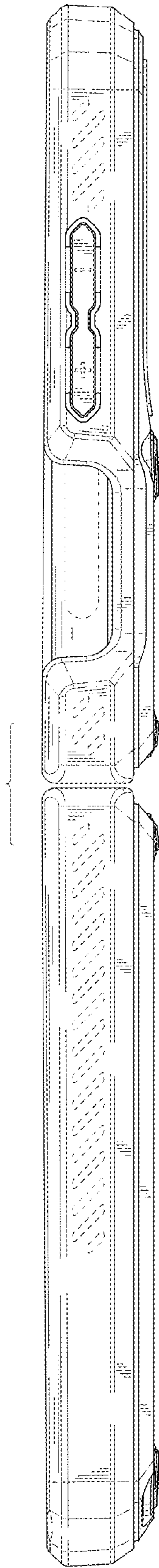


FIG. 6

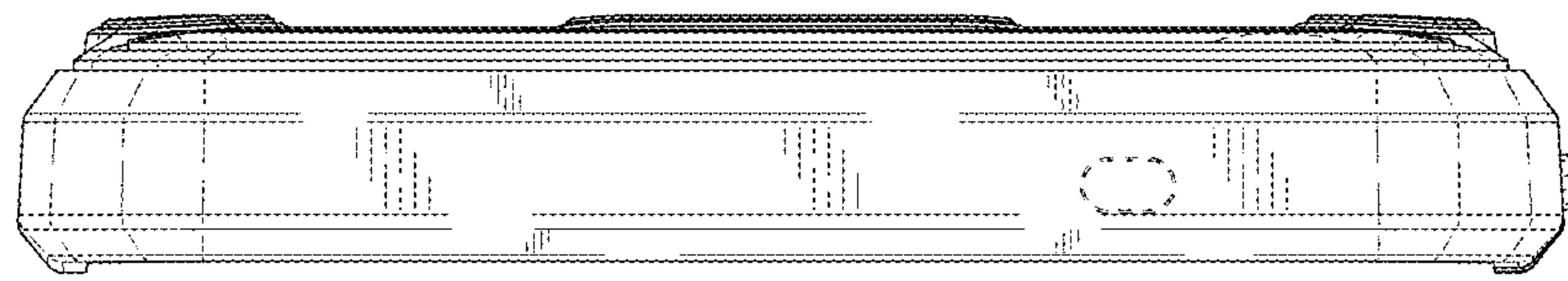


FIG. 7

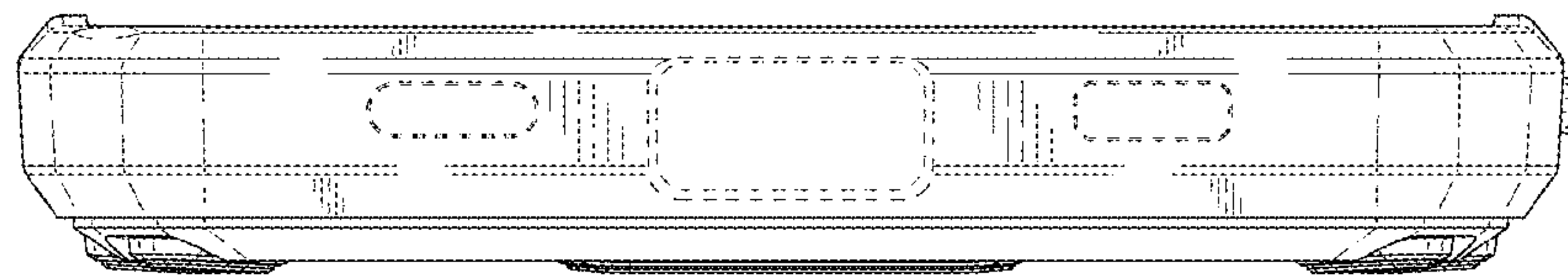


FIG. 8

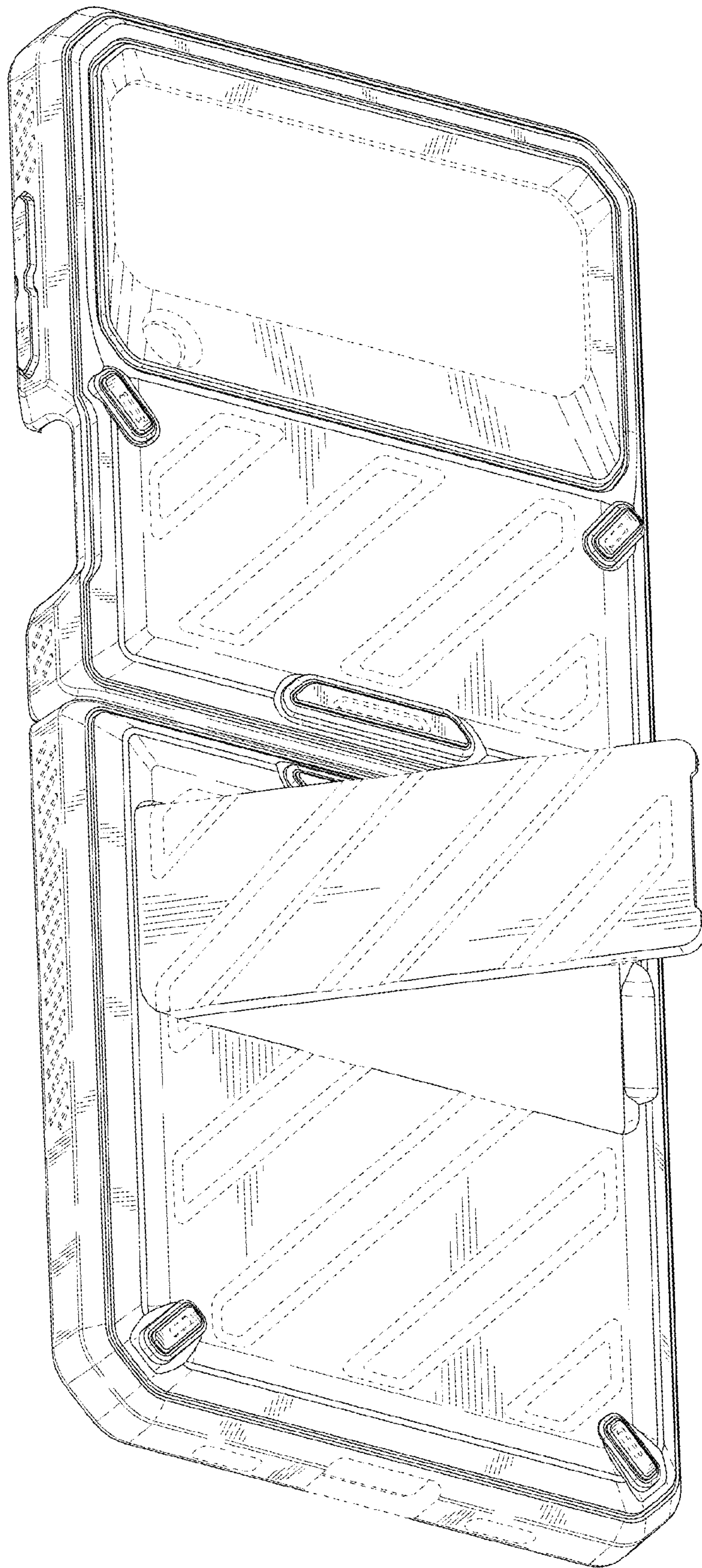


FIG. 9

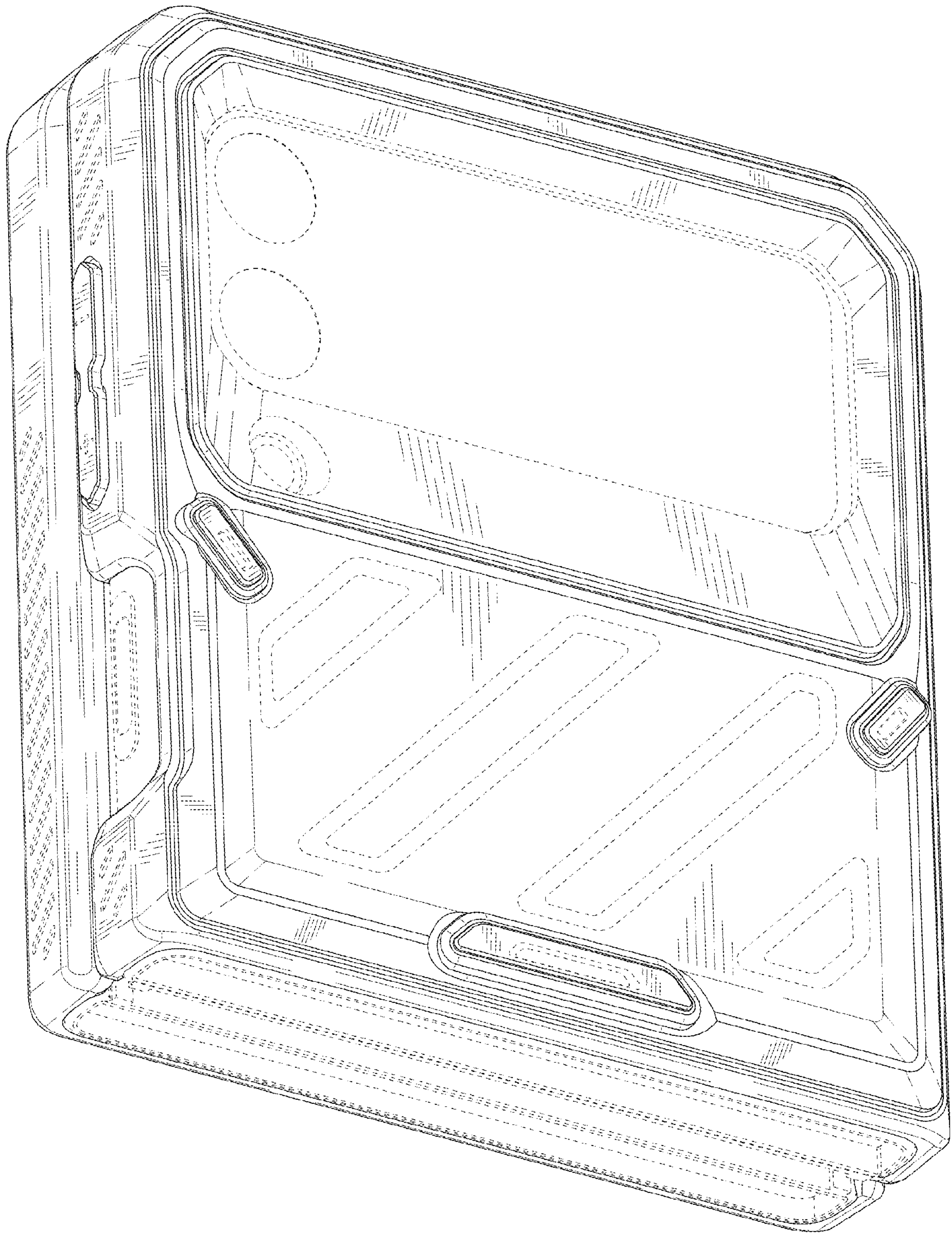


FIG. 10