



US00D964975S

(12) **United States Design Patent** (10) **Patent No.:** **US D964,975 S**
Chong (45) **Date of Patent:** **** Sep. 27, 2022**

(54) **MOBILE PHONE SHELL**
(71) Applicant: **Samuel Chong**, South Hackensack, NJ
(US)
(72) Inventor: **Samuel Chong**, South Hackensack, NJ
(US)
(**) Term: **15 Years**

D945,989 S * 3/2022 Abloh D14/250
D947,165 S * 3/2022 Wu D14/250
D948,493 S * 4/2022 Wei D14/250
D948,494 S * 4/2022 Huang D14/250
D949,840 S * 4/2022 Ling D14/250
D958,131 S * 7/2022 Kanakis D14/250
2016/0173158 A1* 6/2016 Day A45C 11/00
455/575.8
2020/0015558 A1* 1/2020 Kane A45C 11/00
2021/0119660 A1* 4/2021 Yu A45C 13/008

(21) Appl. No.: **29/790,848**
(22) Filed: **Dec. 17, 2021**
(51) **LOC (13) Cl.** **14-03**
(52) **U.S. Cl.**
USPC **D14/250**
(58) **Field of Classification Search**
USPC D14/250
CPC A45C 11/00; H04B 1/3888; H04M 1/18
See application file for complete search history.

FOREIGN PATENT DOCUMENTS

CN 208143264 U * 11/2018
CN 209547267 U * 10/2019

* cited by examiner

Primary Examiner — John R Yeh
(74) *Attorney, Agent, or Firm* — Zhihua Han

(57) **CLAIM**

The ornamental design for a mobile phone shell, as shown and described.

(56) **References Cited**

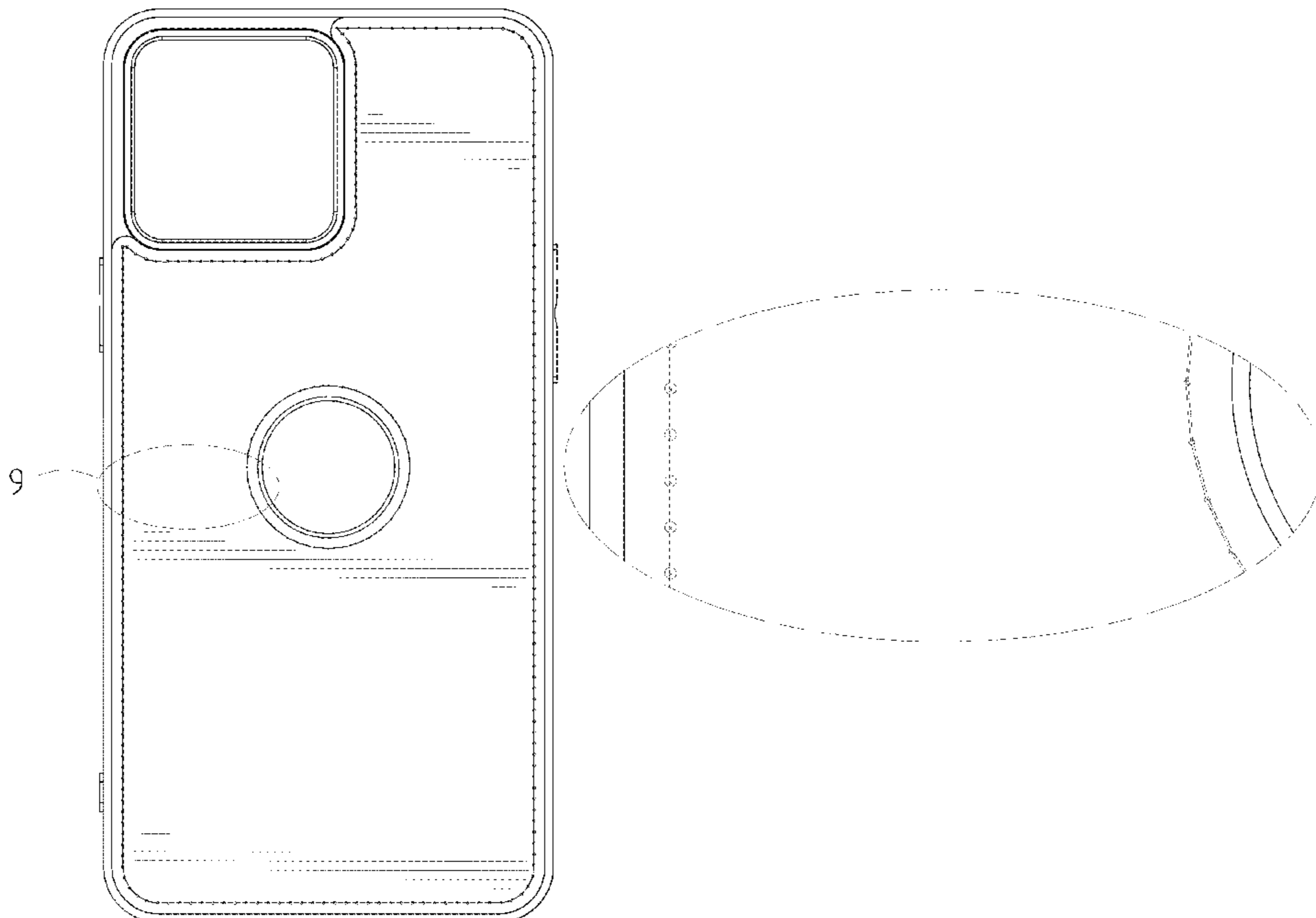
U.S. PATENT DOCUMENTS

D841,640 S * 2/2019 Huang D14/250
D843,992 S 3/2019 Lu
D849,734 S * 5/2019 Wu D14/250
D863,286 S 10/2019 Hong
D881,176 S * 4/2020 Hao D14/250
D891,414 S * 7/2020 Kim D14/250
D896,212 S * 9/2020 Wang D14/250
D903,647 S * 12/2020 Lin D14/250
D903,650 S * 12/2020 Huang D14/250
D904,385 S * 12/2020 Weng D14/250
D905,679 S * 12/2020 Kim D14/250
D907,623 S * 1/2021 Kwon D14/250
D929,388 S * 8/2021 Guo D14/250
D934,850 S * 11/2021 Weng D14/250
D935,447 S 11/2021 Xu
D942,979 S * 2/2022 Jung D14/440

DESCRIPTION

FIG. 1 is a first perspective view of a mobile phone shell showing my new design;
FIG. 2 is a second perspective view thereof;
FIG. 3 is a front view thereof;
FIG. 4 is a back view thereof;
FIG. 5 is a left side view thereof;
FIG. 6 is a right side view thereof;
FIG. 7 is a top view thereof;
FIG. 8 is a bottom view thereof; and,
FIG. 9 is an enlarged view of the selected portion in FIG. 4. The broken lines in the drawings depict enlargement indications and form no part of the claimed design.

1 Claim, 9 Drawing Sheets



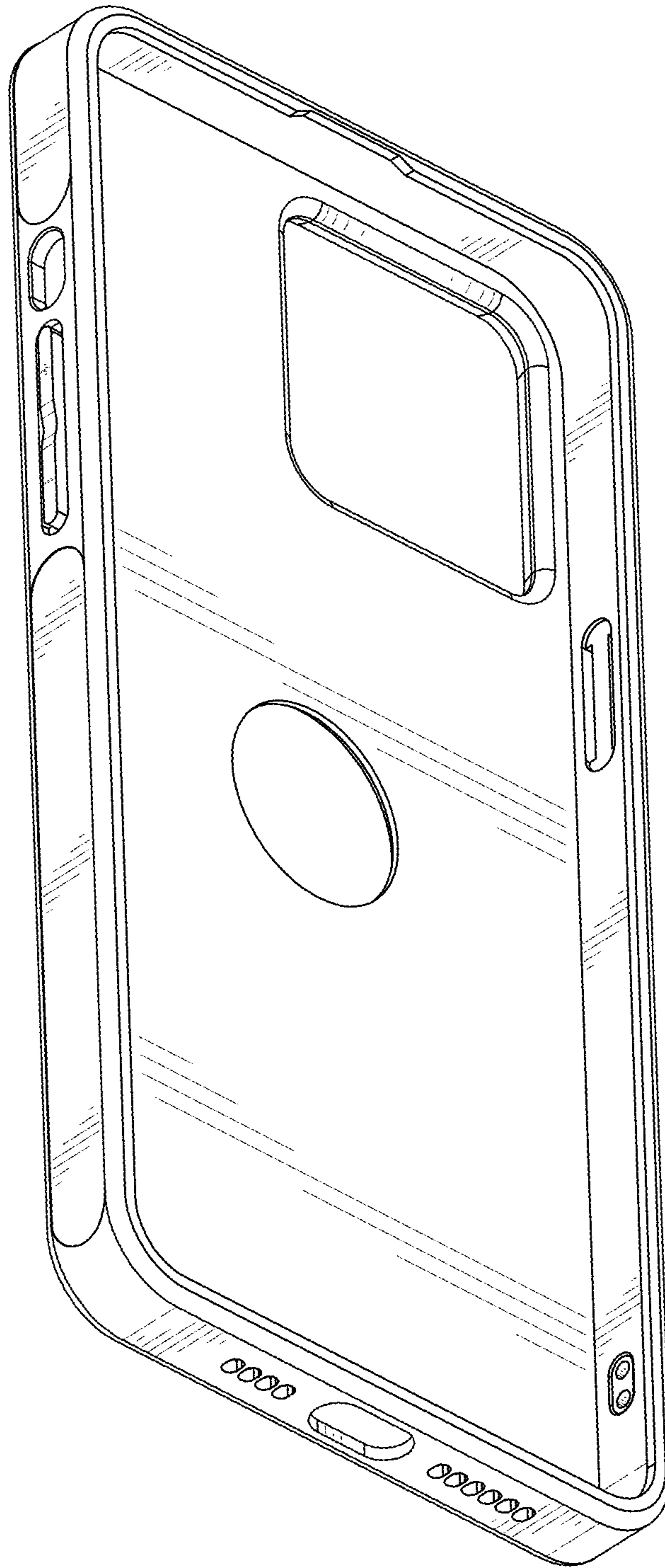


FIG. 1

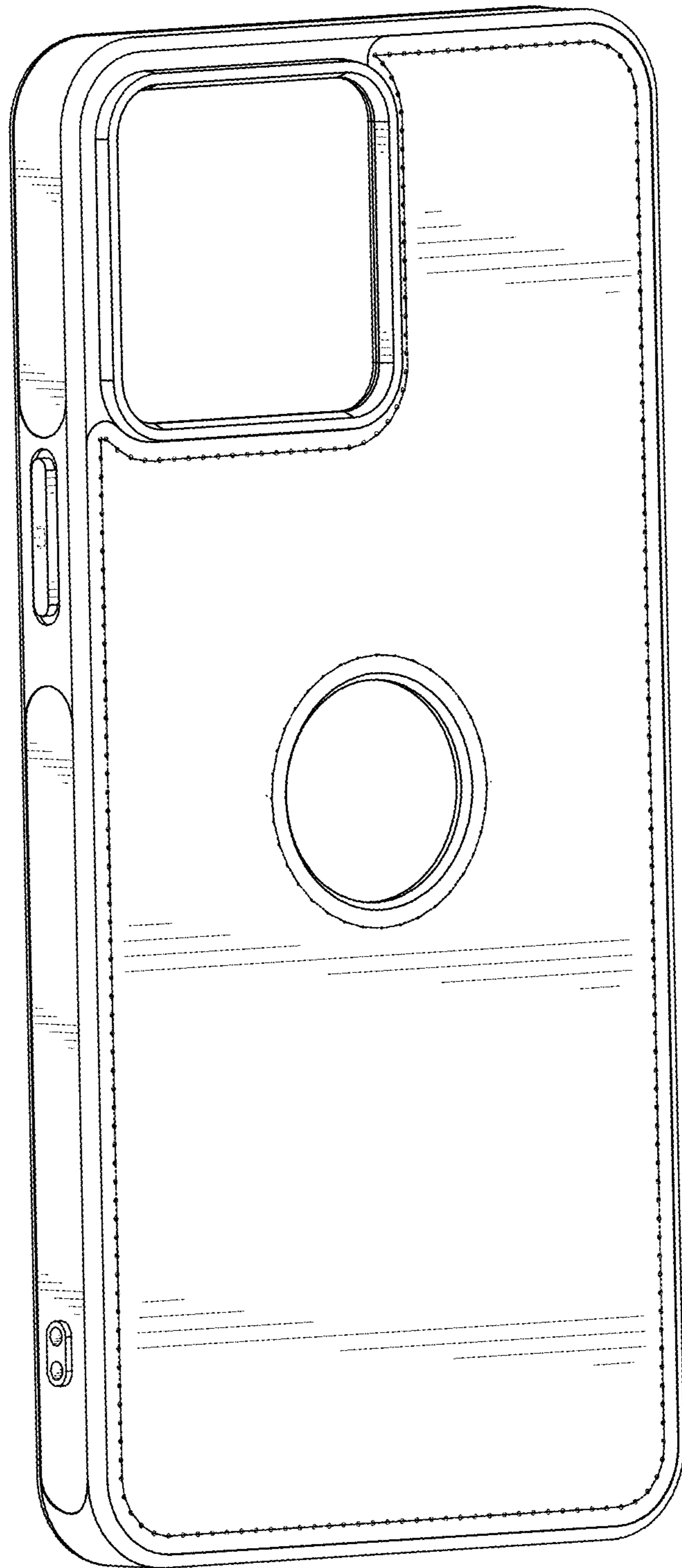


FIG. 2

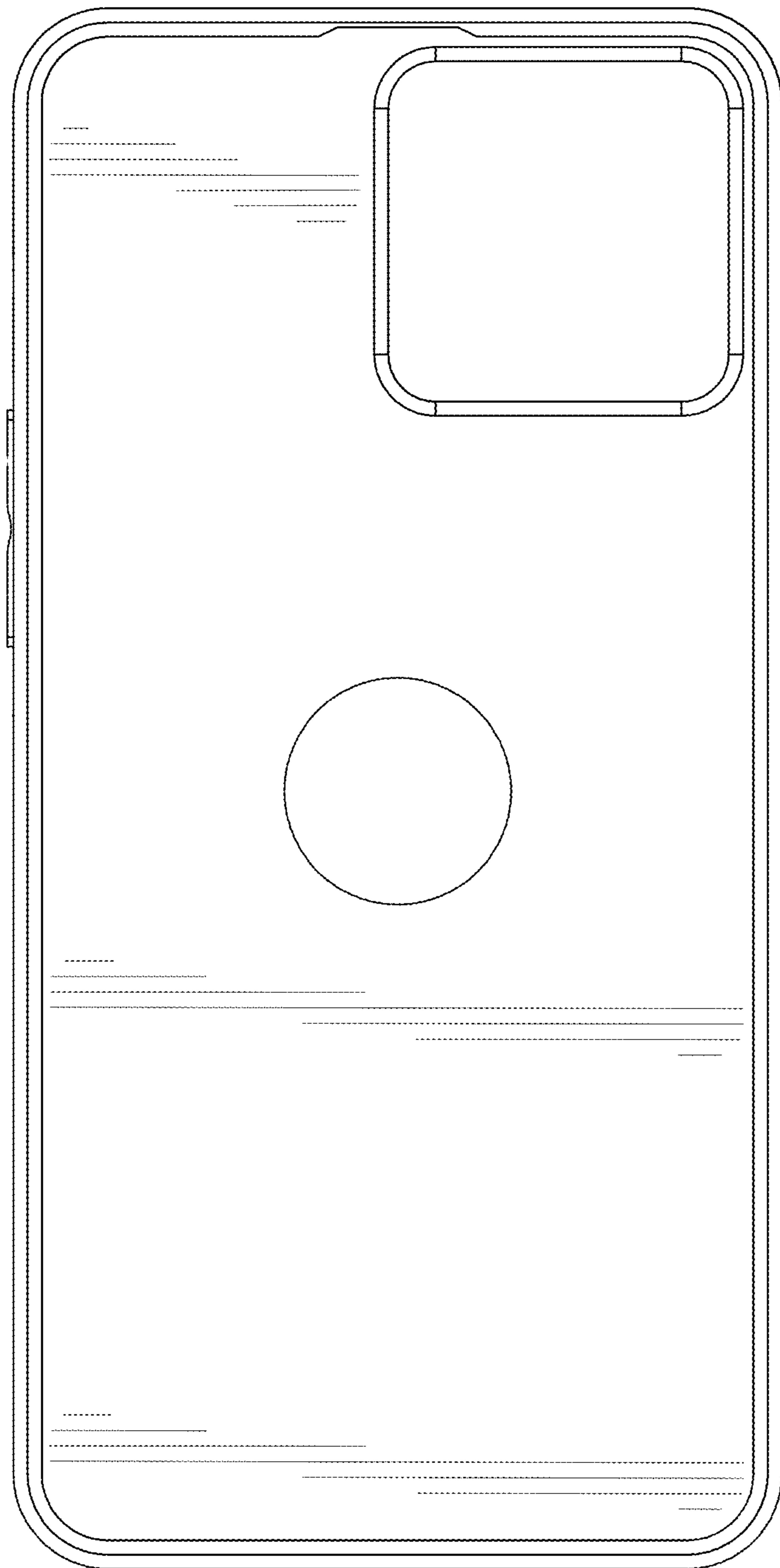


FIG. 3

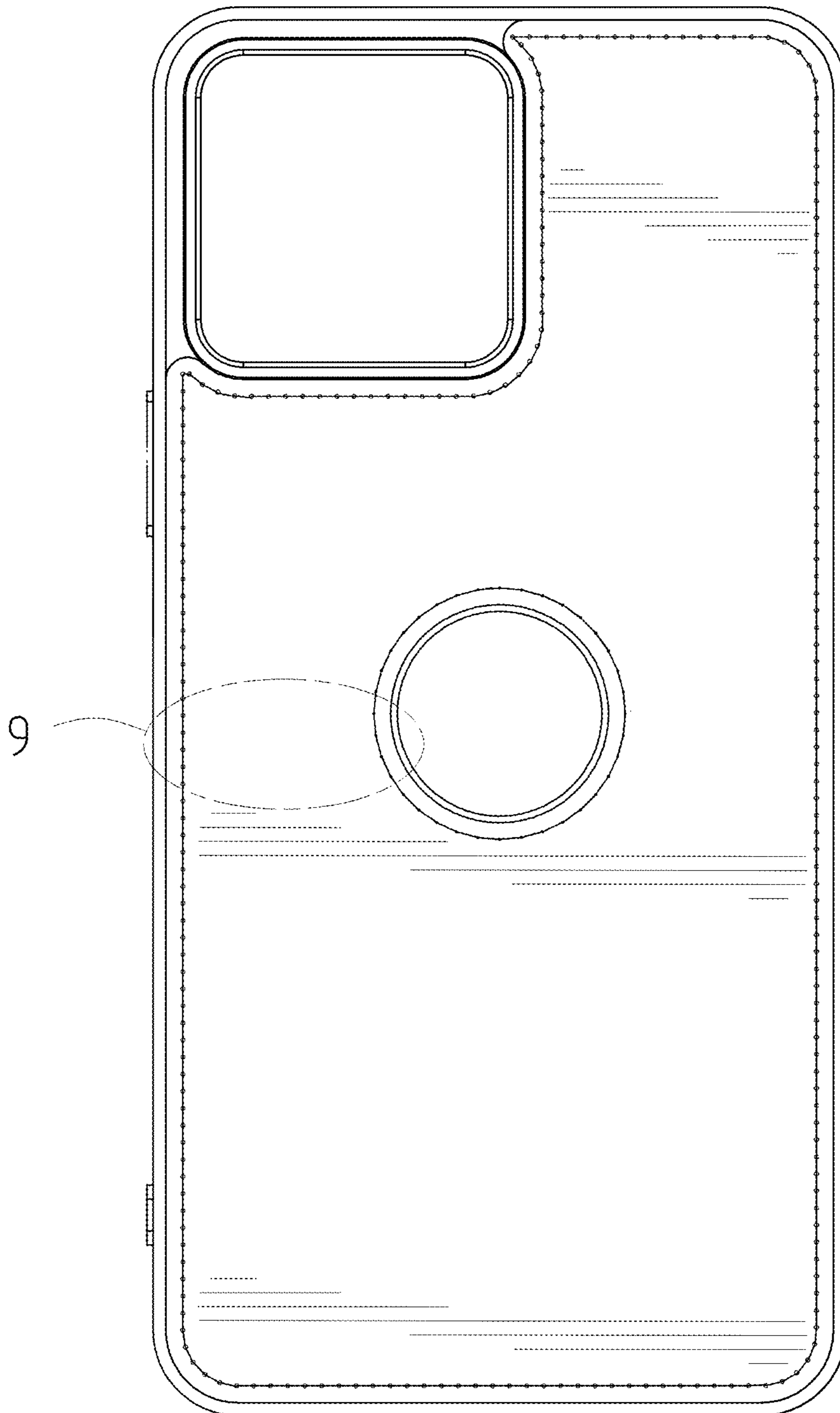


FIG. 4

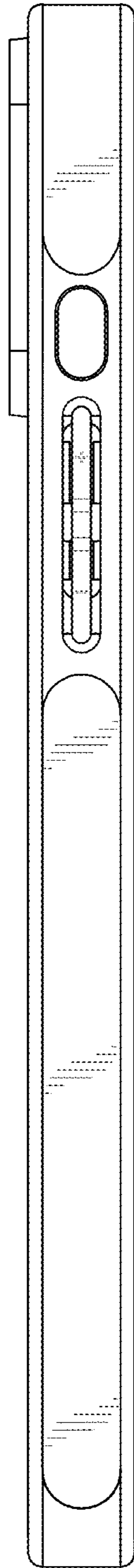


FIG. 5

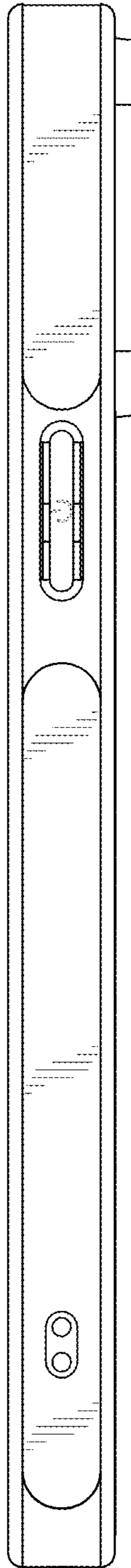


FIG. 6

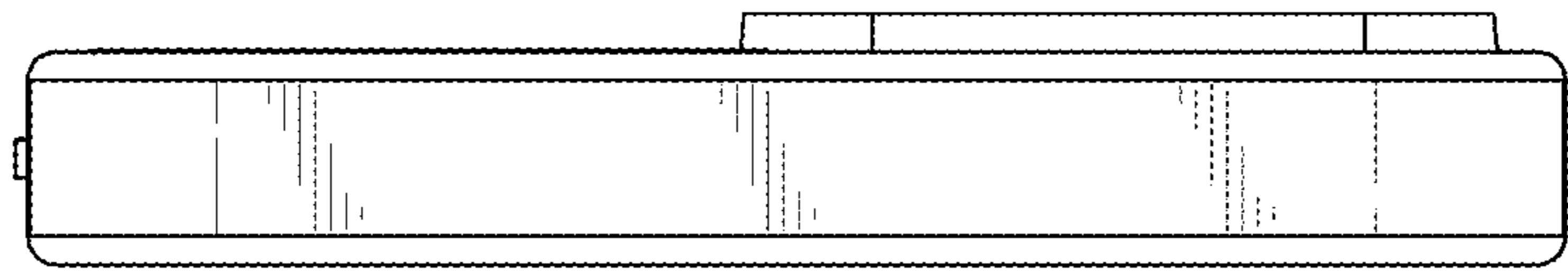


FIG. 7

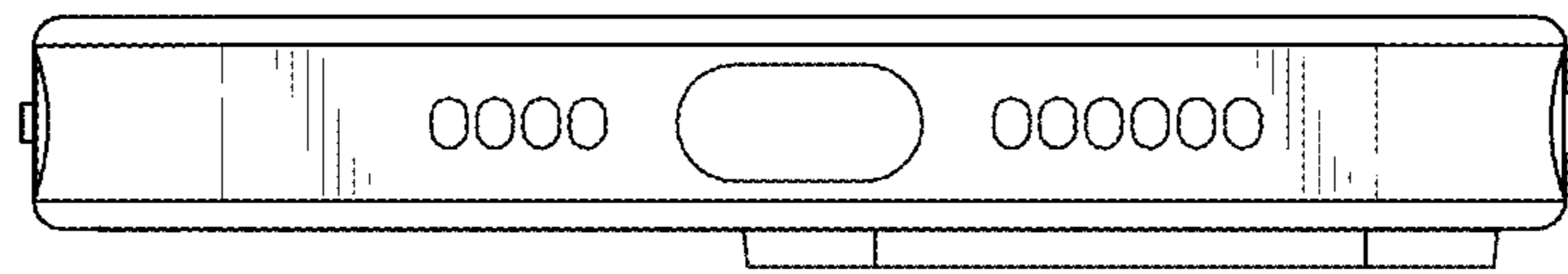


FIG. 8

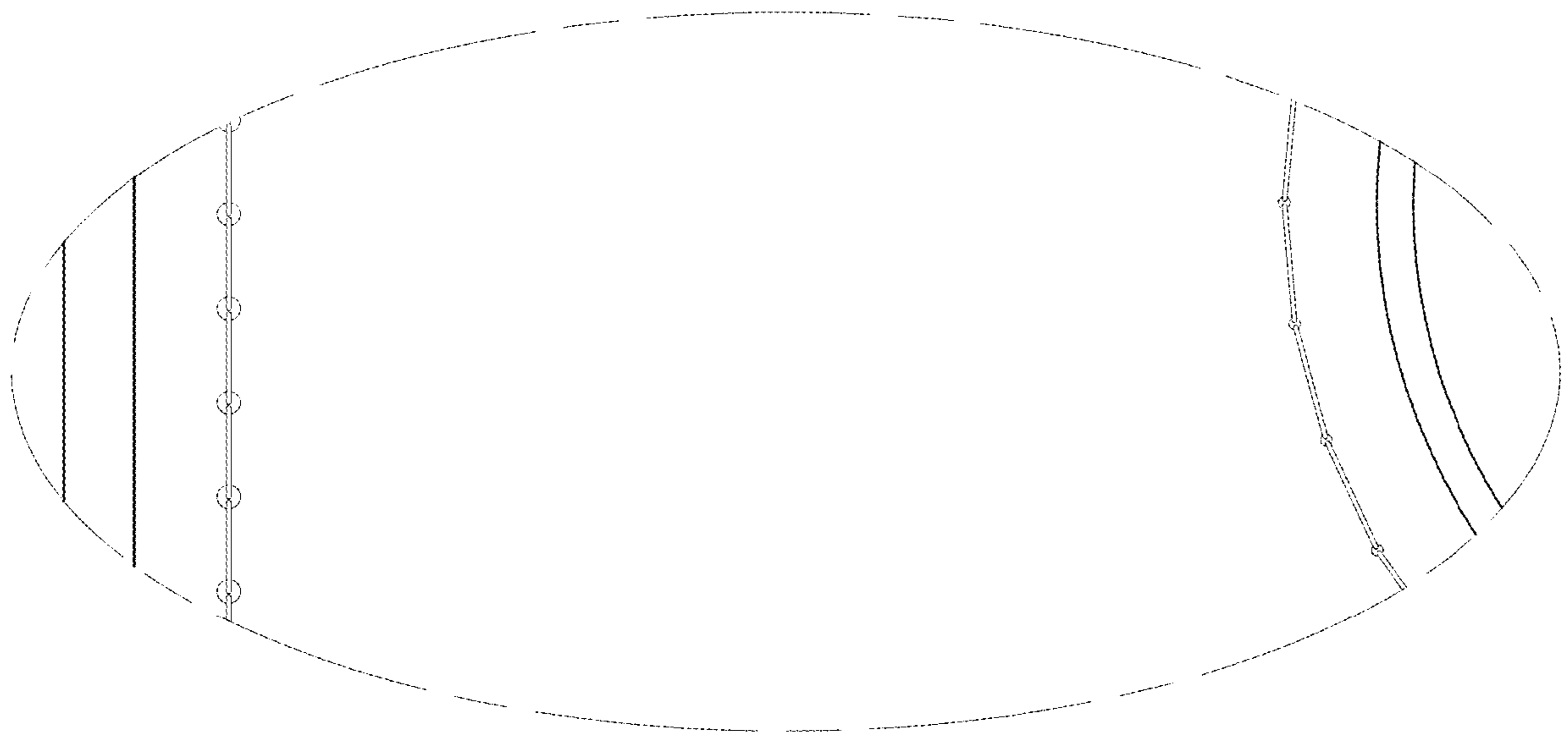


FIG. 9