



US00D964972S

(12) **United States Design Patent**
Larsen, II

(10) **Patent No.:** **US D964,972 S**

(45) **Date of Patent:** **** Sep. 27, 2022**

- (54) **ANTENNA MOUNT**
- (71) Applicant: **Channel Master, LLC**, Chandler, AZ (US)
- (72) Inventor: **Anthony John Larsen, II**, Chandler, AZ (US)
- (73) Assignee: **Channel Master, LLC**, Chandler, AZ (US)
- (**) Term: **15 Years**
- (21) Appl. No.: **29/776,474**
- (22) Filed: **Mar. 30, 2021**
- (51) **LOC (13) Cl.** **14-03**
- (52) **U.S. Cl.**
USPC **D14/238**
- (58) **Field of Classification Search**
USPC D14/231–239; D8/354, 349, 302, 341, D8/331, 441; D23/324, 330, 393, 415, D23/323; D25/41.1, 66, 119, 117, 123, D25/125, 128, 126, 127; 343/879
CPC H01Q 5/49; H01Q 1/12881; H01Q 1/10; H01Q 1/46; H01Q 19/24; H01Q 21/00; H01Q 9/265; H01Q 9/30; H01Q 5/392
See application file for complete search history.

- D363,936 S * 11/1995 Nysether D14/238
- D366,877 S * 2/1996 Gipson D14/238
- 5,920,291 A * 7/1999 Bosley H01Q 1/1207
343/890
- D473,129 S * 4/2003 Warner D8/396
- D492,577 S * 7/2004 Shindo D8/354
- D604,281 S * 11/2009 Kang D14/238
- D611,461 S * 3/2010 Schmitz D14/238
- D626,118 S * 10/2010 Schmitz D14/238
- D687,698 S * 8/2013 Machijima D8/354

(Continued)

Primary Examiner — Mark A Goodwin

(74) *Attorney, Agent, or Firm* — Baker Botts L.L.P.;
Michael A. Sartori

(57) **CLAIM**

The ornamental design for an antenna mount, as shown and described.

DESCRIPTION

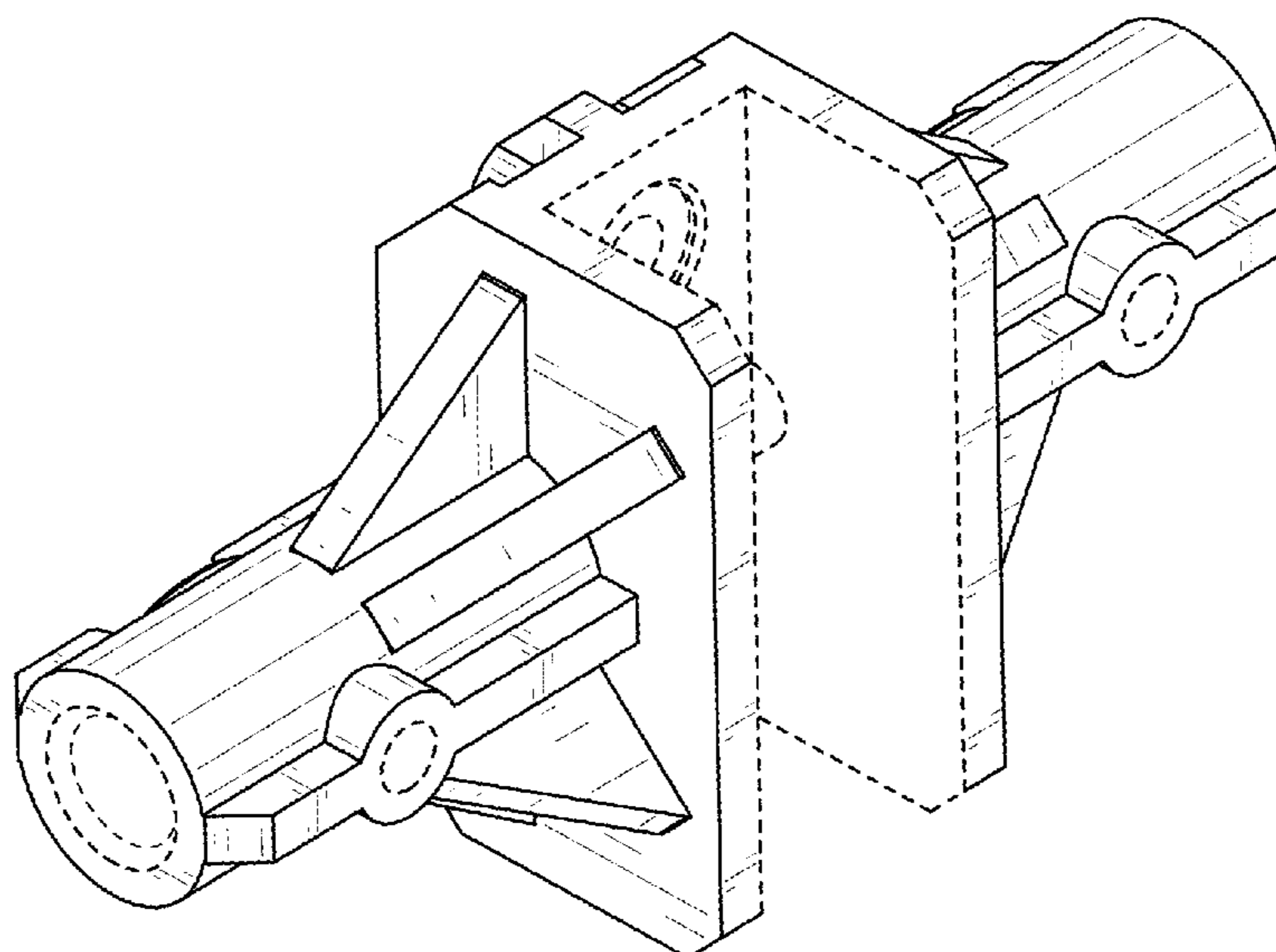
FIG. 1 is a left-front perspective view of the ornamental design for the antenna mount.
 FIG. 2 is a right-rear perspective view of the ornamental design for the antenna mount.
 FIG. 3 is a front view of the ornamental design for the antenna mount.
 FIG. 4 is a rear view of the ornamental design for the antenna mount.
 FIG. 5 is a left side view of the ornamental design for the antenna mount.
 FIG. 6 is a right side view of the ornamental design for the antenna mount.
 FIG. 7 is a top view of the ornamental design for the antenna mount; and,
 FIG. 8 is a bottom view of the ornamental design for the antenna mount.
 In these drawings, the features shown in broken lines depict boundary lines or environmental subject matter only and form no part of the claimed design.

1 Claim, 5 Drawing Sheets

(56) **References Cited**

U.S. PATENT DOCUMENTS

- RE23,346 E * 3/1951 Ercolino H01Q 19/24
343/808
- 3,396,399 A * 8/1968 Winegard H01Q 5/49
343/811
- D272,537 S * 2/1984 Spycher D14/238
- D343,174 S * 1/1994 Watanabe D14/238
- D343,840 S * 2/1994 Watanabe D14/238
- D357,922 S * 5/1995 Nysether D14/238
- D358,820 S * 5/1995 Gunnarsson D14/238
- D359,272 S * 6/1995 Fahy D14/238
- D362,854 S * 10/1995 Fahy D14/238



(56)

References Cited

U.S. PATENT DOCUMENTS

| | | | | | | |
|--------------|----|---|---------|----------|-------|----------------------|
| D744,459 | S | * | 12/2015 | Cummings | | D14/238 |
| D794,419 | S | * | 8/2017 | Rock | | D8/349 |
| D804,285 | S | * | 12/2017 | Rock | | D8/349 |
| D804,286 | S | * | 12/2017 | Rock | | D8/349 |
| D949,835 | S | * | 4/2022 | Newman | | D14/238 |
| D949,849 | S | * | 4/2022 | Newman | | D14/349 |
| 2010/0302118 | A1 | * | 12/2010 | Suleiman | | H01Q 1/12 343/808 |

* cited by examiner

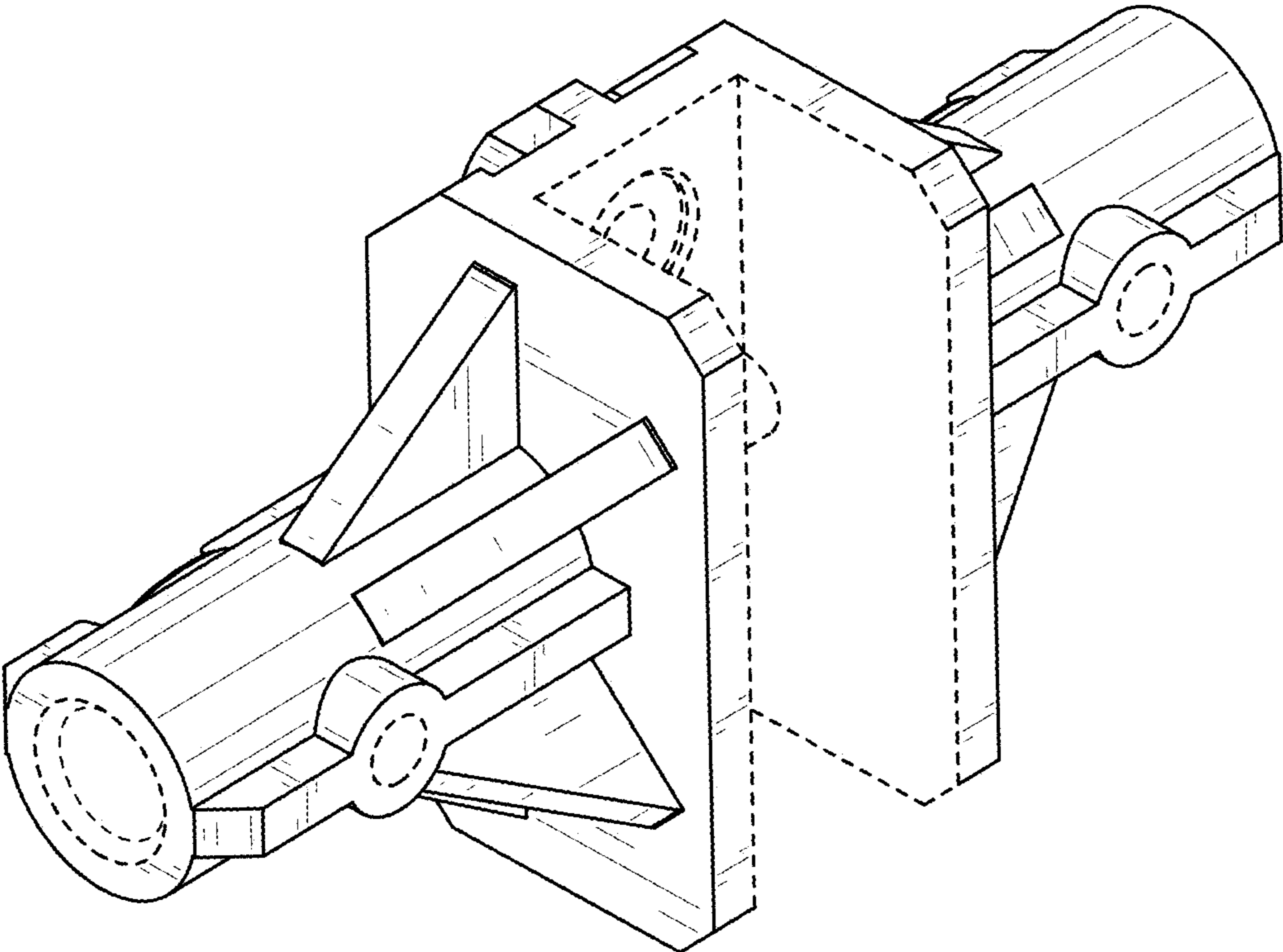


FIG. 1

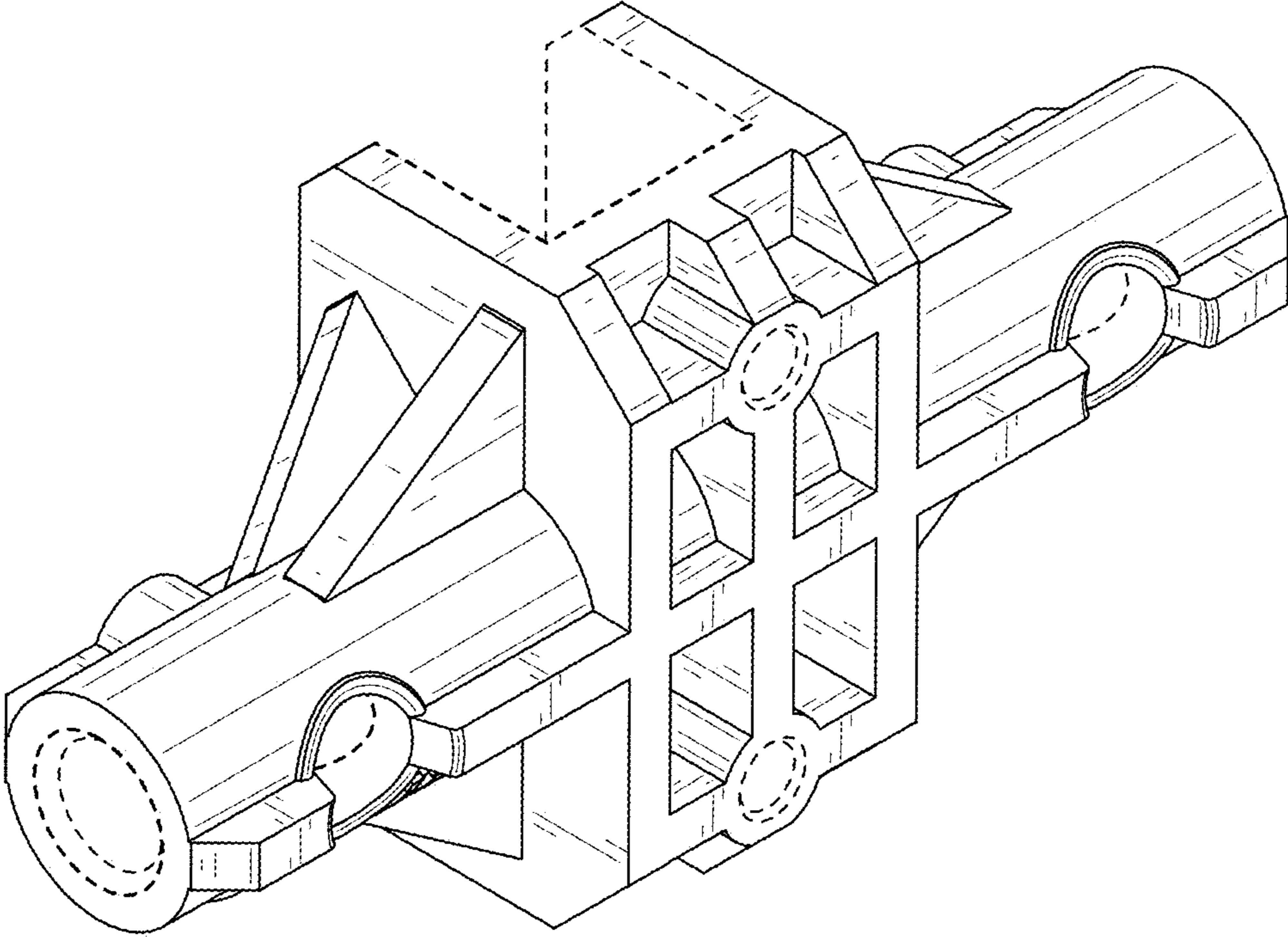


FIG. 2

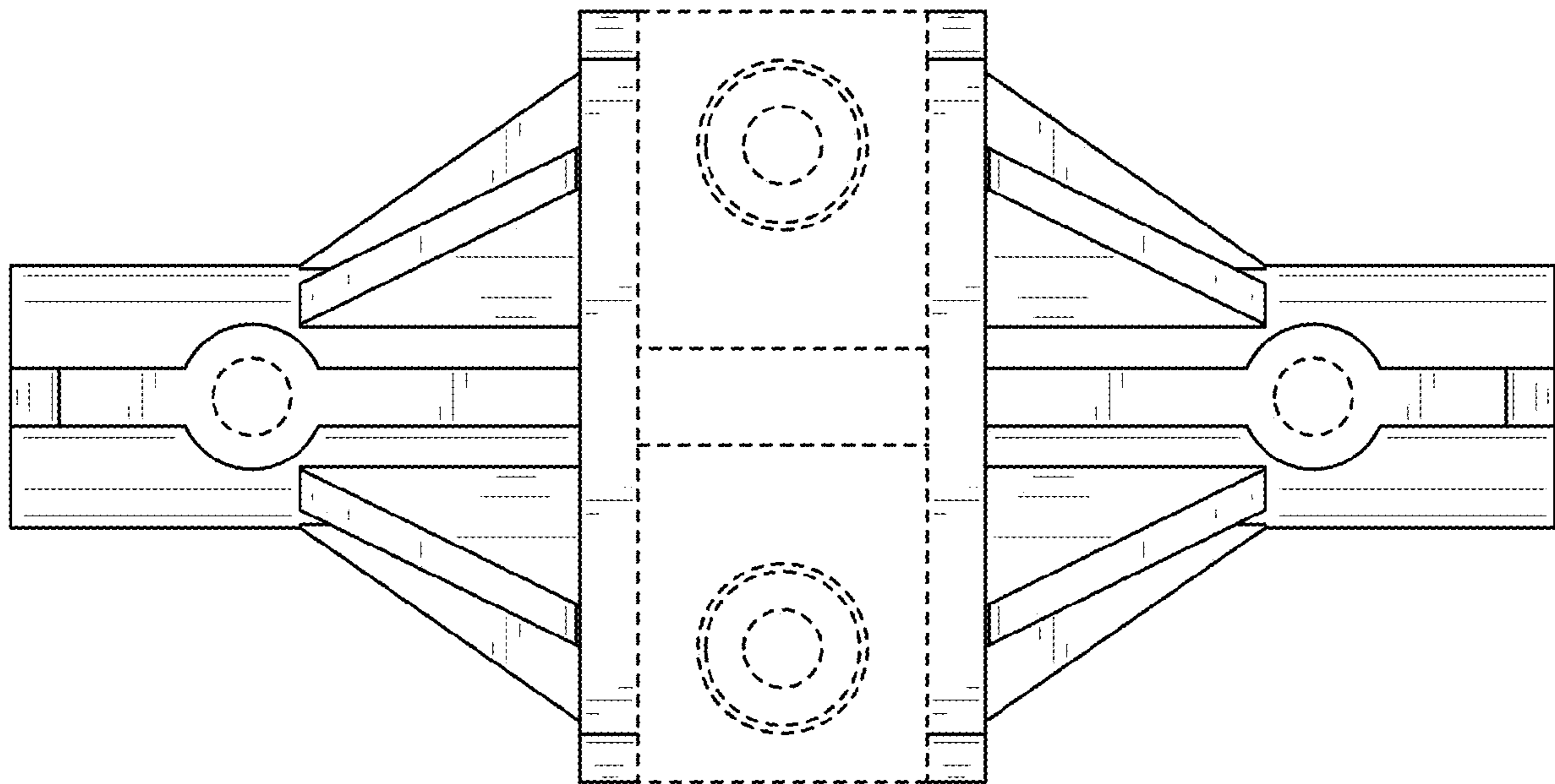


FIG. 3

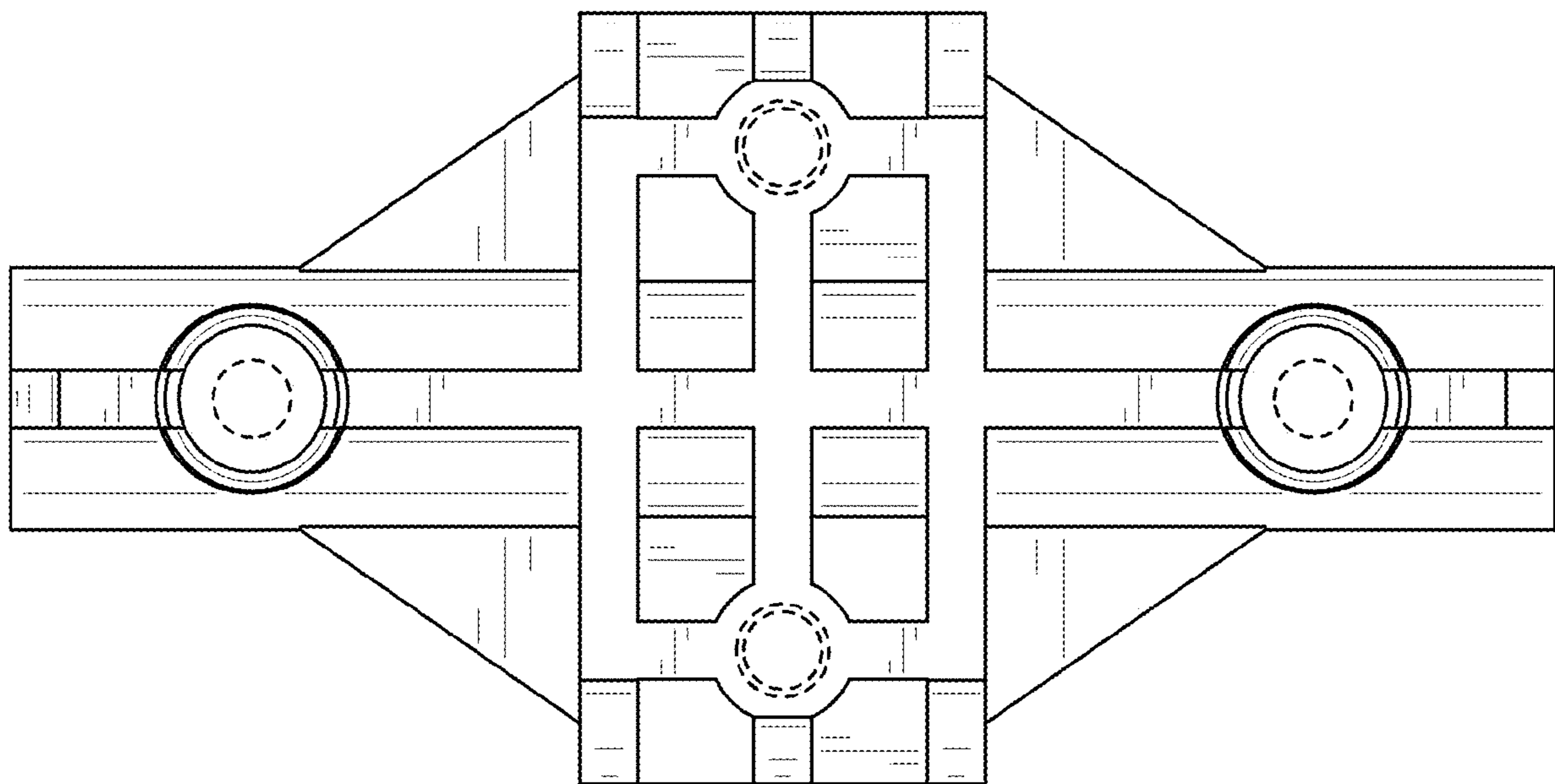


FIG. 4

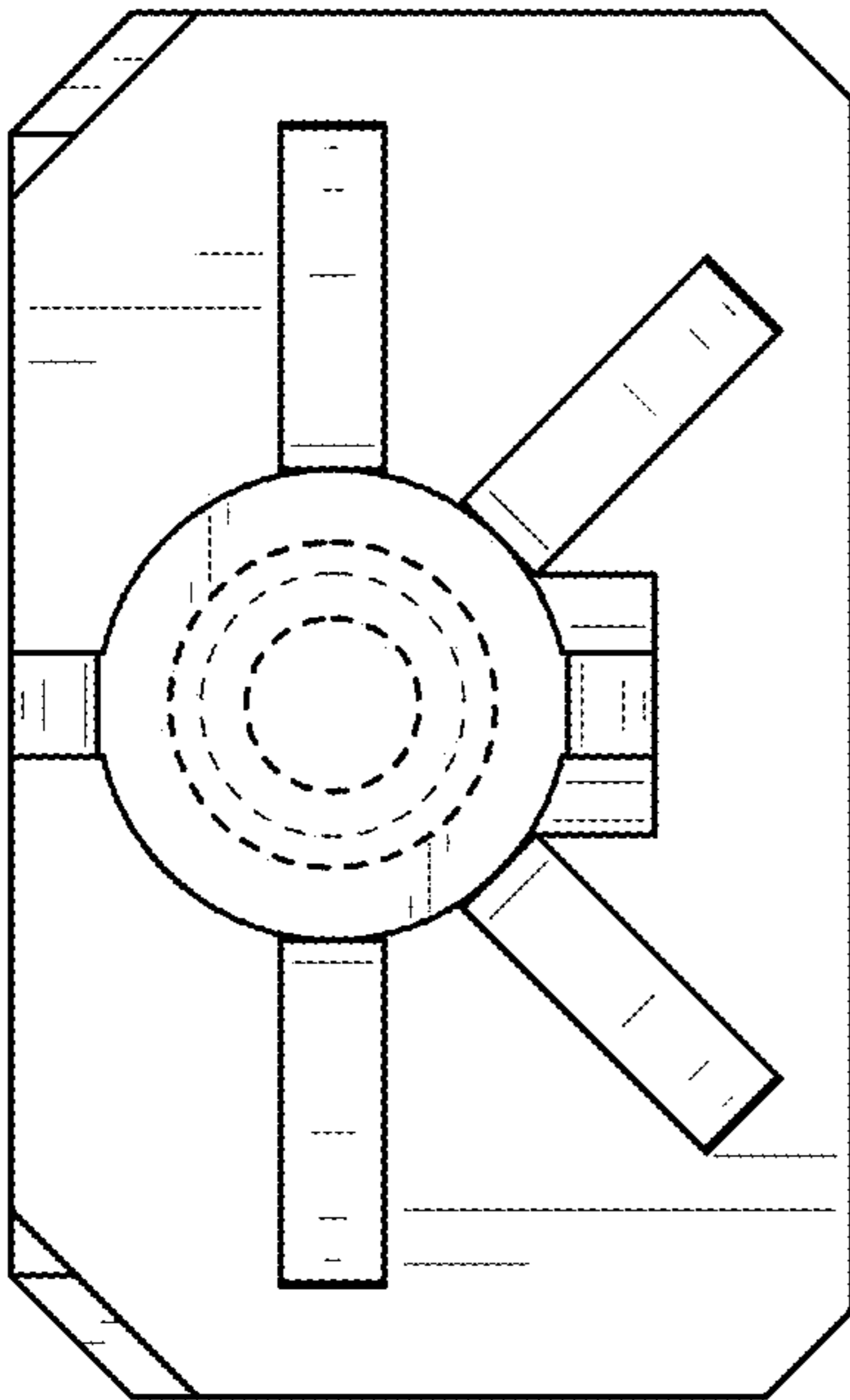


FIG. 5

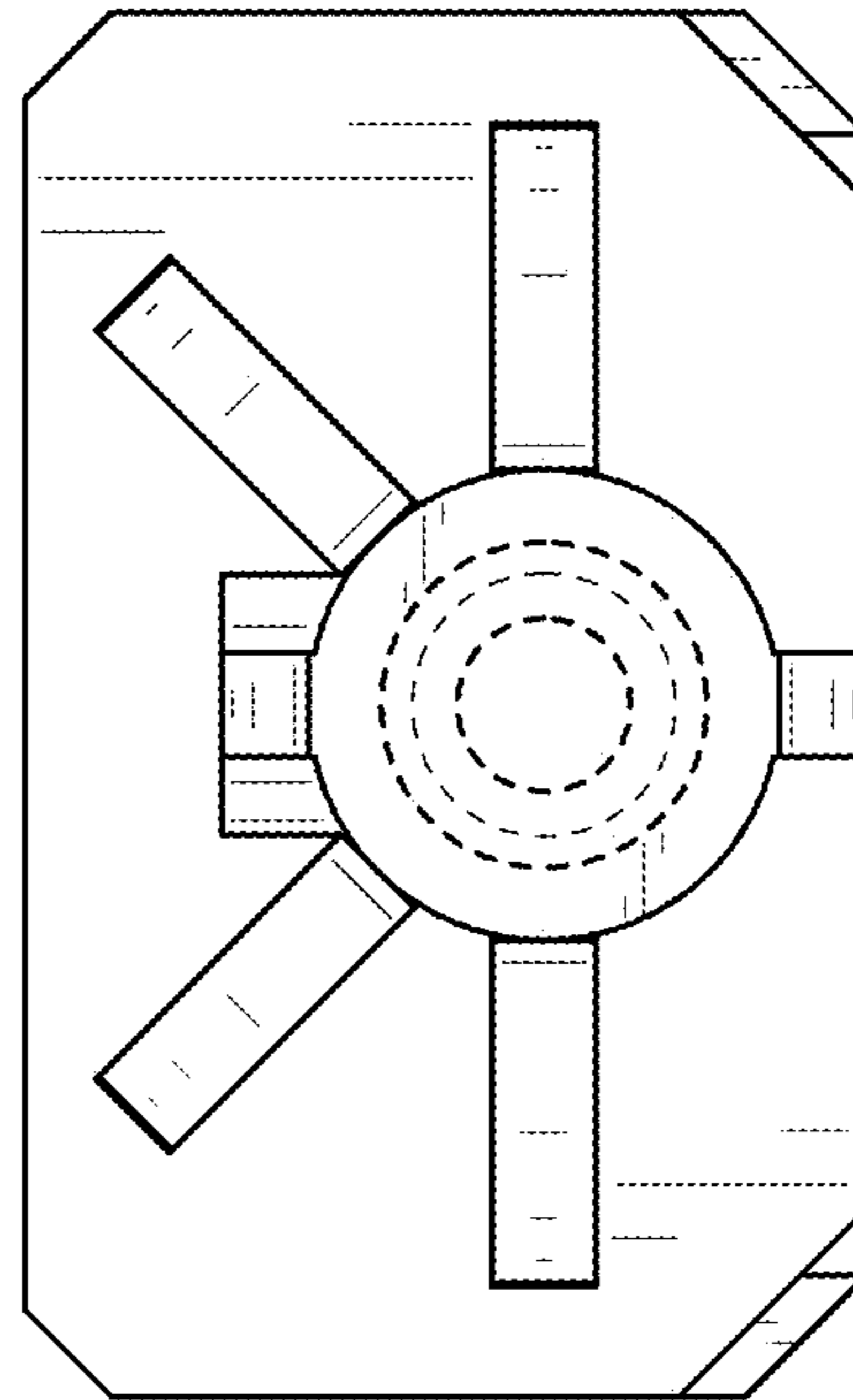


FIG. 6

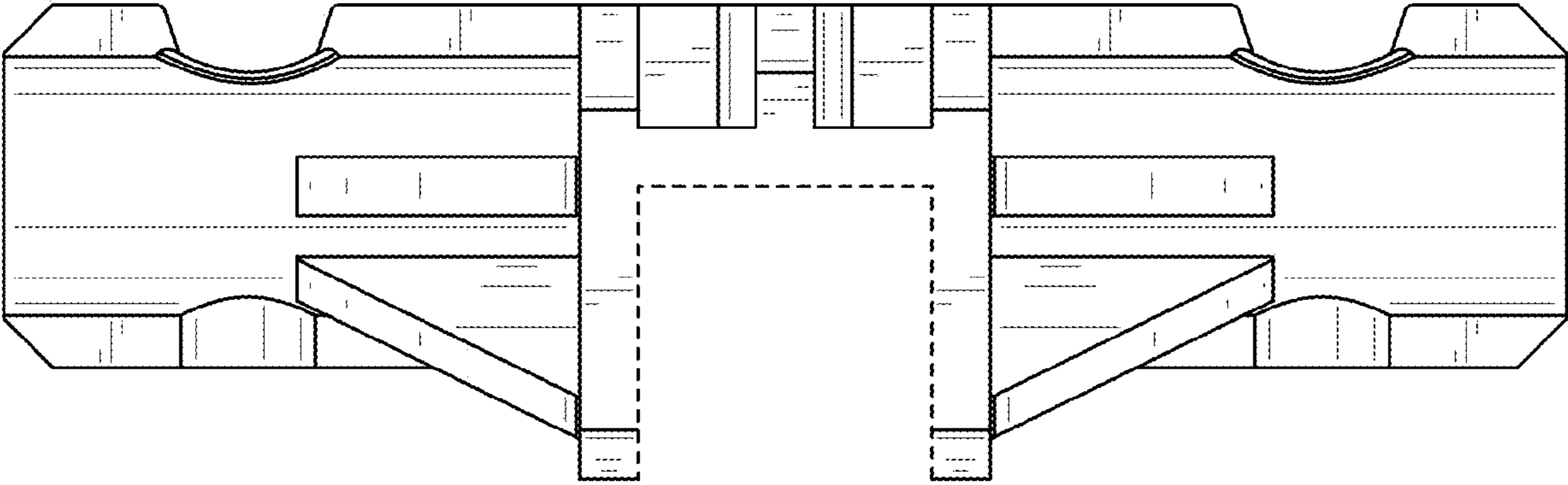


FIG. 7

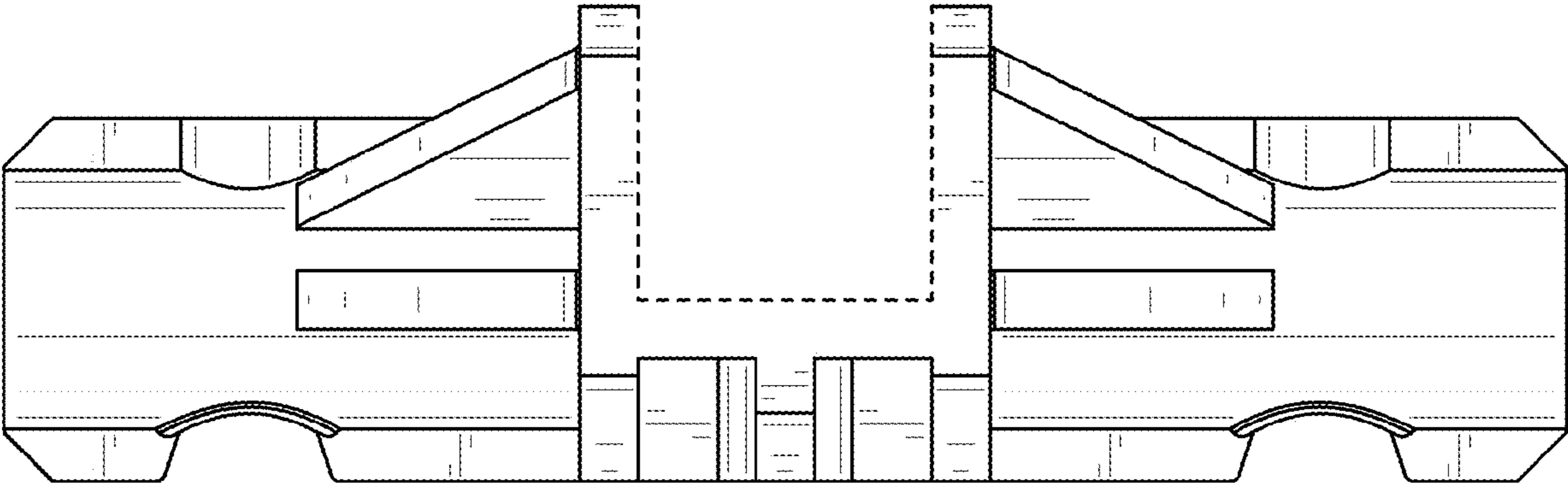


FIG. 8