

US00D964968S

(12) **United States Design Patent**
Liu

(10) **Patent No.:** **US D964,968 S**

(45) **Date of Patent:** **** Sep. 27, 2022**

(54) **EARPHONE**

(71) Applicant: **Shen Zhen Yaan Energy Technology Co., Ltd., Shenzhen (CN)**

(72) Inventor: **Dingxiang Liu, Shenzhen (CN)**

(**) Term: **15 Years**

(21) Appl. No.: **29/816,872**

(22) Filed: **Nov. 25, 2021**

(51) **LOC (13) Cl.** **14-01**

(52) **U.S. Cl.**
USPC **D14/223**

(58) **Field of Classification Search**
USPC D14/223, 205, 206; D24/174;
128/864–866; 381/380–381, 374, 375,
381/379

CPC H04R 1/10; H04R 25/00; H04R 25/02;
H04R 1/1066; H04R 1/1016; H04R
5/033; H04R 5/0335; H04R 1/1041;
H04R 1/02; H04R 1/105; H04R 1/1091
See application file for complete search history.

(56) **References Cited**

U.S. PATENT DOCUMENTS

D470,122 S *	2/2003	Hlas	D14/205
D478,893 S *	8/2003	Corander	D14/218
D494,569 S *	8/2004	Ma	D14/223
D562,310 S *	2/2008	Moon	D14/223
D566,694 S *	4/2008	Kim	D14/223
D581,396 S *	11/2008	Wikel	D14/206
D581,900 S *	12/2008	Caddes	D14/206
D582,897 S *	12/2008	Christopher	D14/223
D596,164 S *	7/2009	Henning	D14/223
D596,165 S *	7/2009	Henning	D14/223
D596,166 S *	7/2009	Henning	D14/223
D598,900 S *	8/2009	Wikel	D14/223
D603,378 S *	11/2009	Paradise	D14/223
D619,566 S *	7/2010	Yu	D14/223

D621,817 S *	8/2010	Brickstad	D14/223
D622,704 S *	8/2010	Fahrendorff	D14/223
D628,188 S *	11/2010	Koch	D14/205
D628,194 S *	11/2010	Koch	D14/223
D636,381 S *	4/2011	Liner	D14/223
7,949,127 B2 *	5/2011	Pedersen	H04R 1/1066 379/430
D640,242 S *	6/2011	Fahrendorff	D14/223
D643,420 S *	8/2011	Huang	D14/223
D647,890 S *	11/2011	Son	D14/223
D656,128 S *	3/2012	Park	D14/223
D656,490 S *	3/2012	Birger	D14/223
D664,125 S *	7/2012	Koch	D14/223
D664,950 S *	8/2012	Rye	D14/223
D671,096 S *	11/2012	Song	D14/223

(Continued)

FOREIGN PATENT DOCUMENTS

CN	304305938	*	10/2017
CN	304716859	*	7/2018
CN	307429916	*	7/2022

Primary Examiner — Paula Allen Greene

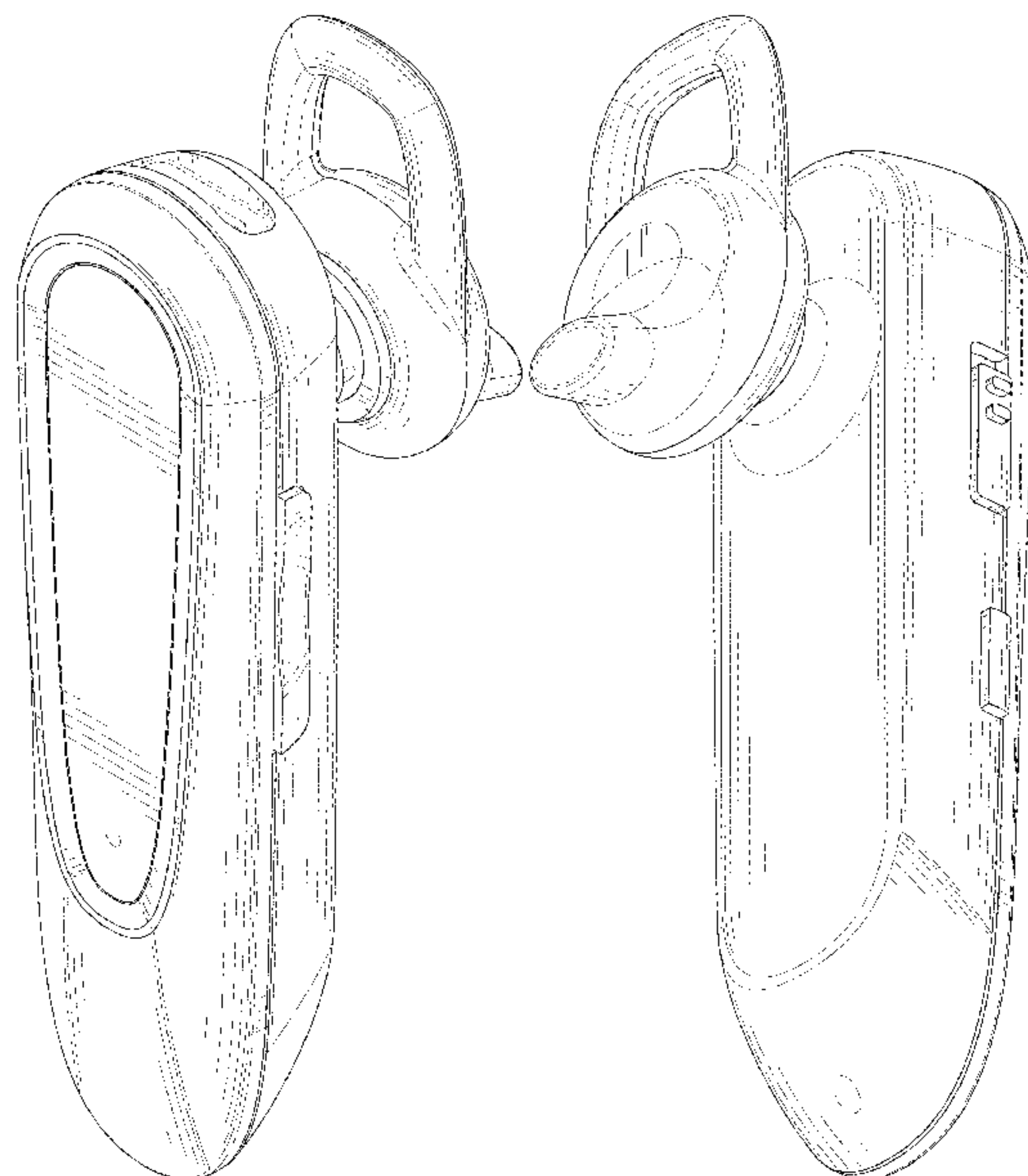
(57) **CLAIM**

The ornamental design for an earphone, as shown and described.

DESCRIPTION

FIG. 1 is a front and top perspective view of an earphone, showing my new design;
FIG. 2 is a rear and bottom perspective view thereof;
FIG. 3 is a front elevation view thereof;
FIG. 4 is a rear elevation view thereof;
FIG. 5 is a left side elevation view thereof;
FIG. 6 is a right side elevation view thereof;
FIG. 7 is a top plan view thereof; and,
FIG. 8 is a bottom plan view thereof.
The broken lines in the figures illustrate portions of the earphone that form no part of the claimed design.

1 Claim, 8 Drawing Sheets



(56)

References Cited

U.S. PATENT DOCUMENTS

8,374,375 B2 * 2/2013 Hu H04R 1/105
381/328
D681,602 S * 5/2013 Koch D14/205
D690,288 S * 9/2013 Son D14/223
D691,120 S * 10/2013 Koch D14/223
D693,796 S * 11/2013 Birger D14/223
8,611,578 B2 * 12/2013 Kim H02J 7/0044
381/328
D707,659 S * 6/2014 Henning D14/223
D710,830 S * 8/2014 Birger D14/223
D732,007 S * 6/2015 Oksman D14/223
D735,698 S * 8/2015 Karrman D14/223
D808,360 S * 1/2018 Arimoto D14/223
D817,931 S * 5/2018 Yao D14/223
D863,262 S * 10/2019 Roberts D14/223
D870,695 S * 12/2019 Min D14/205
D900,066 S * 10/2020 Park D14/223
D936,037 S 11/2021 Zhou
D947,157 S * 3/2022 Choe D14/223
2009/0103768 A1 * 4/2009 Lin H04R 1/1058
381/390
2011/0123059 A1 * 5/2011 Hu H04R 1/105
381/380
2011/0176699 A1 * 7/2011 Lin H04R 1/1016
381/374
2013/0195310 A1 * 8/2013 Lin H04R 1/1058
381/380
2021/0321188 A1 * 10/2021 Kurihara H01H 13/50

* cited by examiner

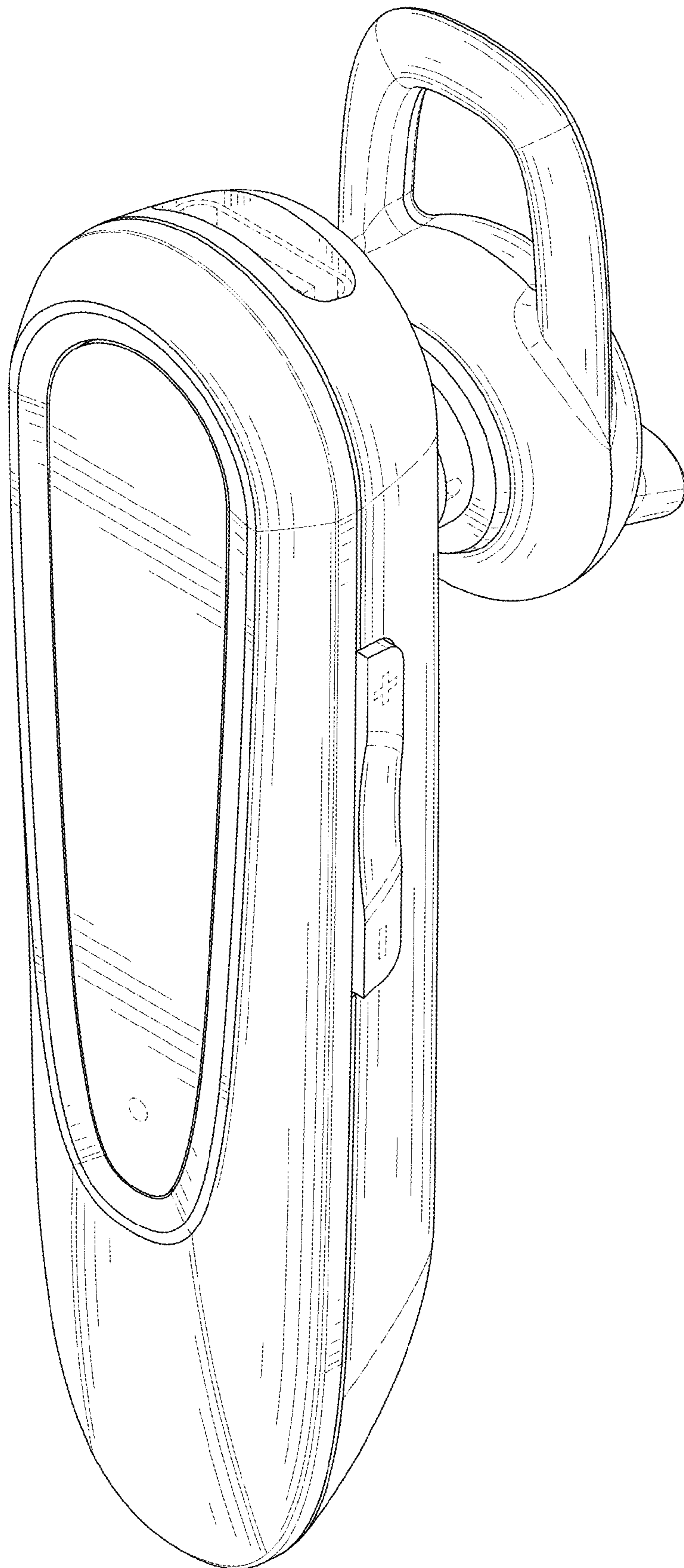


FIG. 1

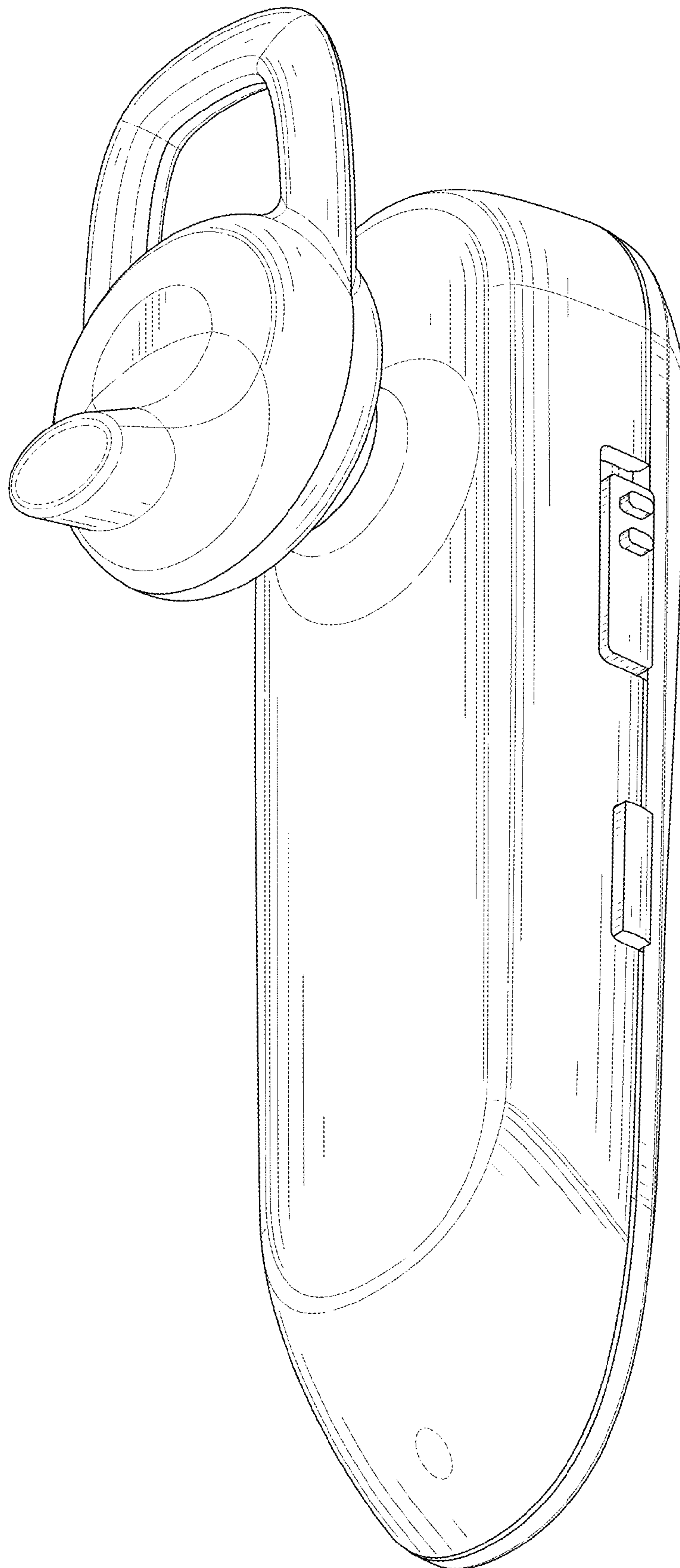


FIG. 2

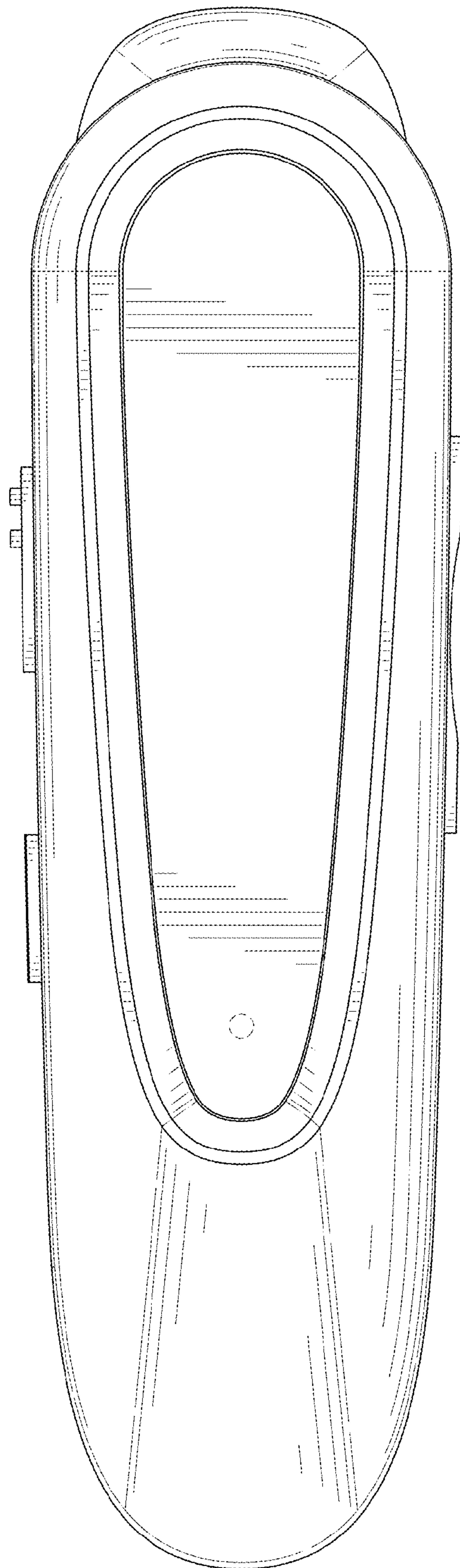


FIG. 3

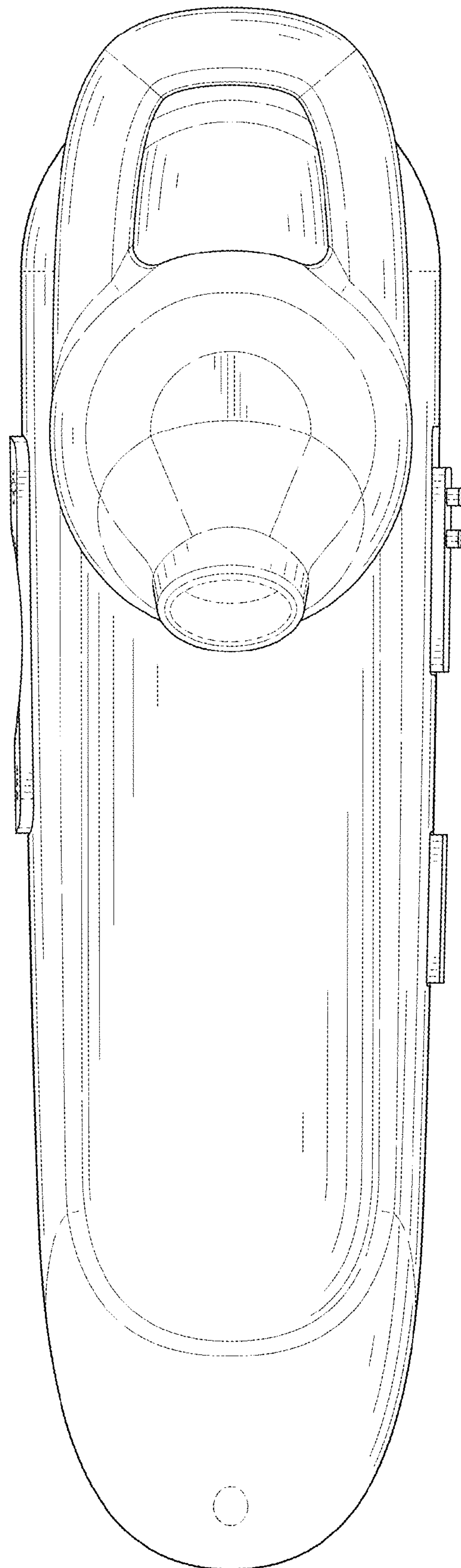


FIG. 4

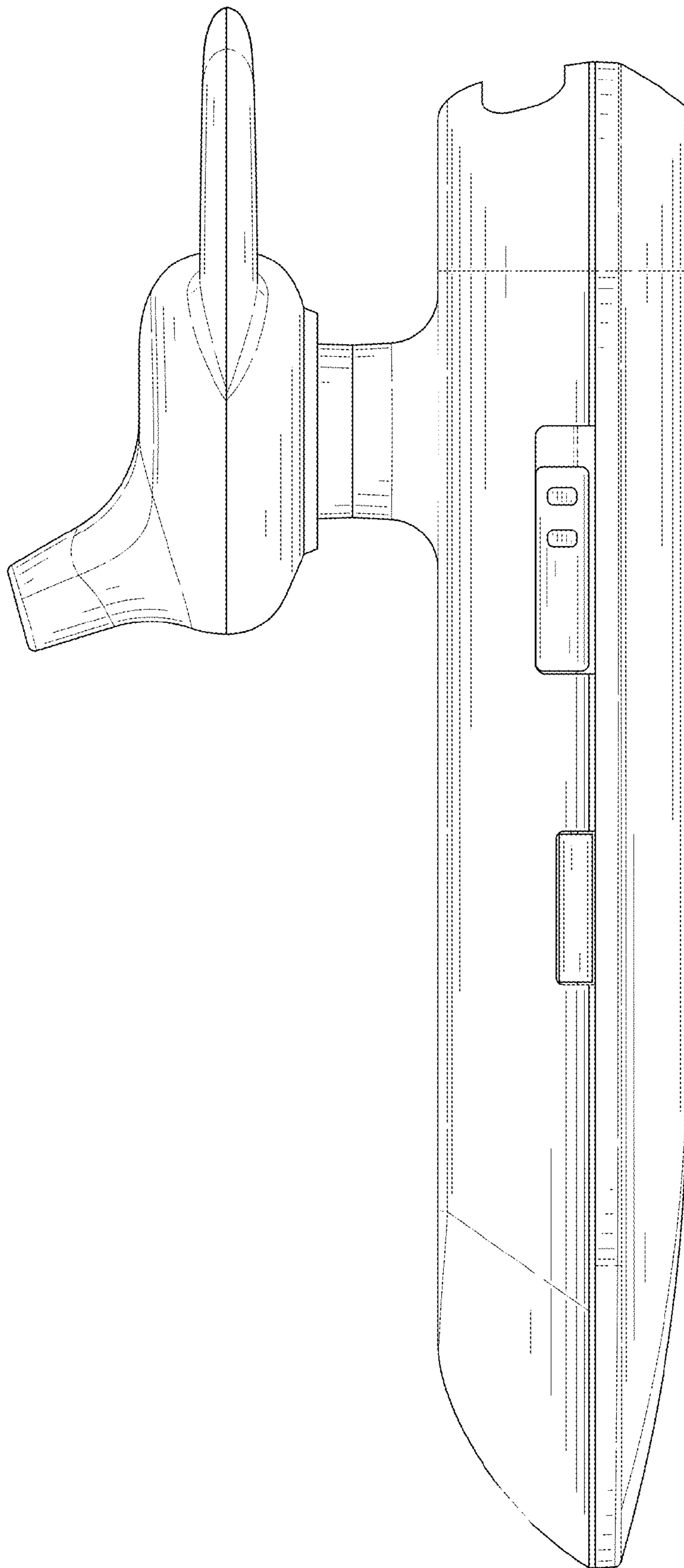


FIG. 5

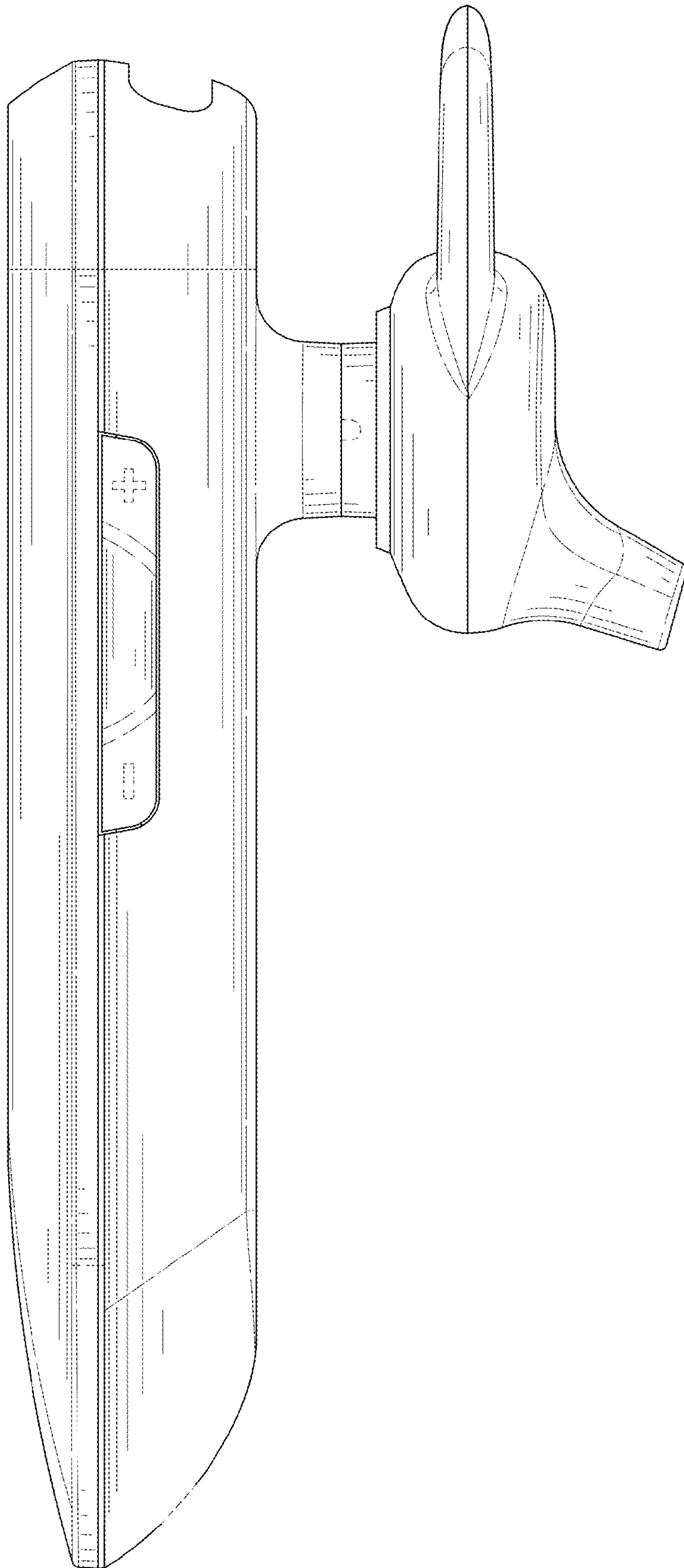


FIG. 6

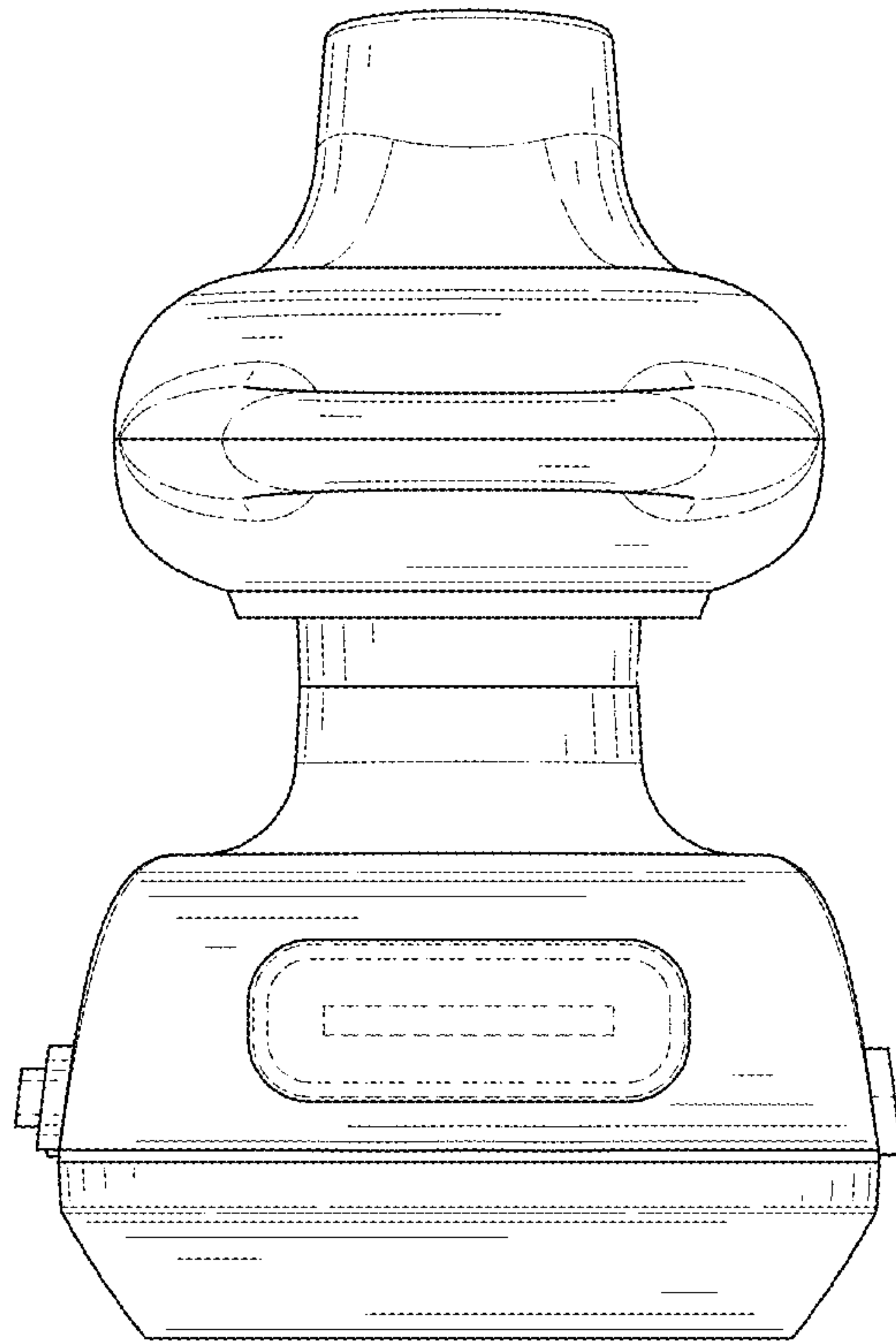


FIG. 7

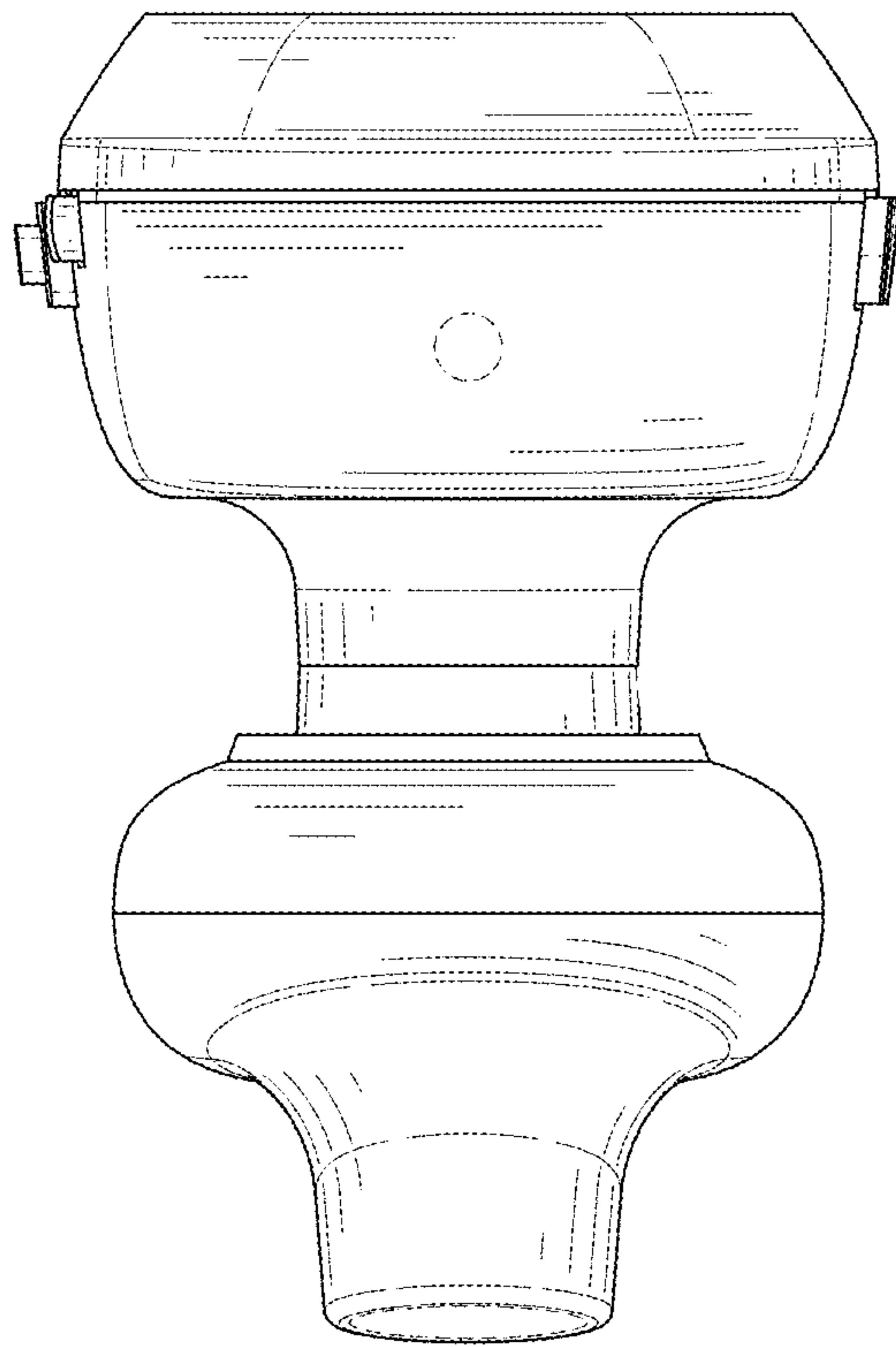


FIG. 8