



US00D964966S

(12) **United States Design Patent** (10) **Patent No.:** **US D964,966 S**
O'Leary (45) **Date of Patent:** **** Sep. 27, 2022**

(54) **HANDHELD REMOTE CONTROLLER**

(71) Applicant: **Nevro Corp.**, Redwood City, CA (US)
(72) Inventor: **Jerry O'Leary**, Chicago, IL (US)
(73) Assignee: **Nevro Corp.**, Redwood City, CA (US)
(**) Term: **15 Years**

(21) Appl. No.: **29/711,761**

(22) Filed: **Nov. 1, 2019**

(51) **LOC (13) Cl.** **14-03**

(52) **U.S. Cl.**
USPC **D14/218**

(58) **Field of Classification Search**
USPC D14/218, 230; D21/331, 332, 333, 329;
D13/168
CPC H03J 2200/24; H03J 1/0025; H04N
21/4221; H04N 21/42204; G08C 2201/33;
H01H 9/0214; H01H 9/0207; H01H 9/06;
H01H 2009/065; H01H 2009/066

See application file for complete search history.

(56) **References Cited**

U.S. PATENT DOCUMENTS

| | | | | |
|--------------|---------|--------|-------|---------|
| D422,139 S * | 4/2000 | Meikle | | D3/268 |
| D539,782 S * | 4/2007 | Lee | | D14/188 |
| D617,097 S * | 6/2010 | Raile | | D3/265 |
| D625,294 S * | 10/2010 | Wada | | D14/218 |
| D743,381 S * | 11/2015 | Pi | | D14/218 |
| D763,830 S * | 8/2016 | Jones | | D14/218 |
| D840,954 S * | 2/2019 | Wu | | D13/168 |
| D877,231 S * | 3/2020 | Seflic | | D16/219 |
| D910,580 S * | 2/2021 | Zhu | | D13/168 |
| D923,588 S * | 6/2021 | Zhu | | D13/168 |
| D941,270 S * | 1/2022 | Park | | D14/218 |
| D942,958 S * | 2/2022 | Maier | | D14/218 |

FOREIGN PATENT DOCUMENTS

| | | | |
|----|----------------|---|--------|
| GB | 6152618 | * | 8/2021 |
| KR | 301060116.0000 | * | 5/2020 |
| KR | 3011057880004 | * | 4/2021 |

OTHER PUBLICATIONS

Nexicurio Store, 4 pack Travel Toothbrush, available at amazon.com, oldest review date Nov. 9, 2019, site visited Feb. 22, 2022, Available from the Internet URL: https://www.amazon.com/Toothbrush-NEXCURIO-Portable-Breathable-Camping/dp/B07TGC9LFW/ref=cm_cr_ar_p_d_product_top?ie=UTF8 (Year: 2019).*
Zerone Store, Learning Remote Control . . . , available at amazon.com, date first available May 29, 2018, site visited Feb. 22, 2022, Available from the Internet URL: https://www.amazon.com/dp/B07DCM9B1N/ref=cm_sw_em_r_mt_dp_S68BPRZKWN-EVVP1TDDN4 (Year: 2018).*
Sevenhugs, SR1A1 Smart Remote . . . , available at ebay.com, date first available Sep. 8, 2021, site visited Feb. 22, 2022, Available from the internet URL: https://www.ebay.com/rvh/203585605407?rt=nc&_trksid=p2047675.l48144 (Year: 2021).*

* cited by examiner

Primary Examiner — Daniel J Domino
Assistant Examiner — Samina Vieth
(74) *Attorney, Agent, or Firm* — Perkins Coie LLP

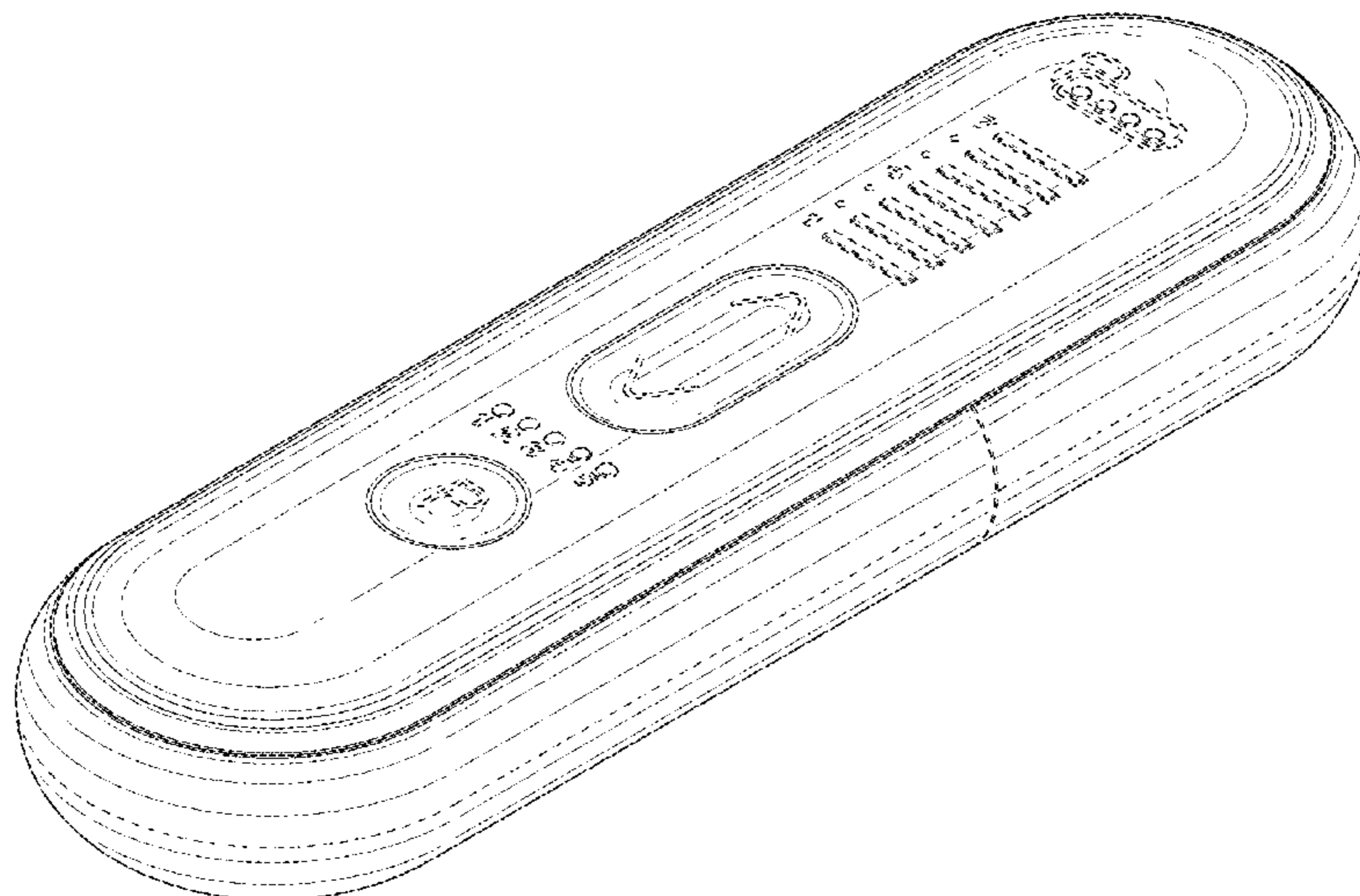
(57) **CLAIM**

The ornamental design for the handheld remote controller, as shown and described.

DESCRIPTION

FIG. 1 is a perspective view of a handheld remote controller showing our new design.
FIG. 2 is a right-side perspective view thereof.
FIG. 3 is a left-side perspective view thereof.
FIG. 4 is a front perspective view thereof.
FIG. 5 is a rear perspective view thereof.
FIG. 6 is a top perspective view thereof; and,
FIG. 7 is a bottom perspective view thereof.
The broken lines depict portions of the handheld remote controller that form no part of the claimed design.

1 Claim, 7 Drawing Sheets



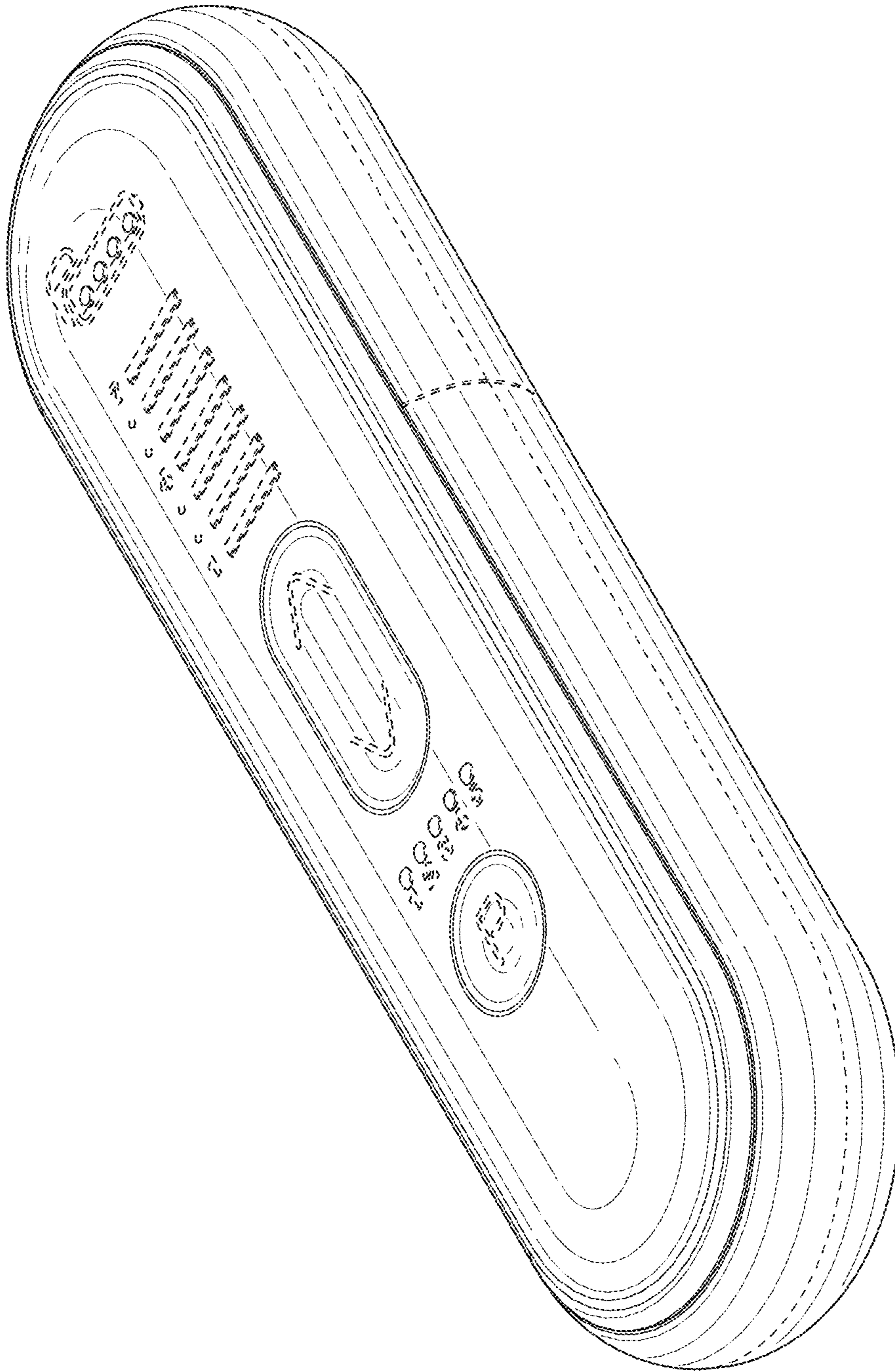


FIG. 1

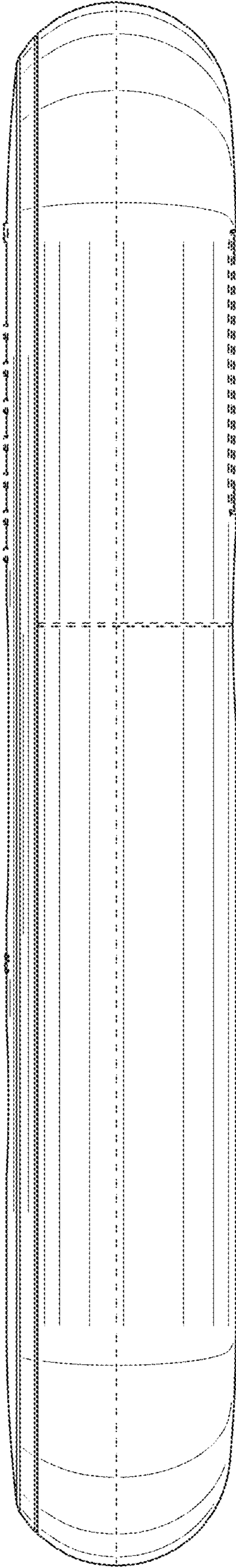


FIG. 2

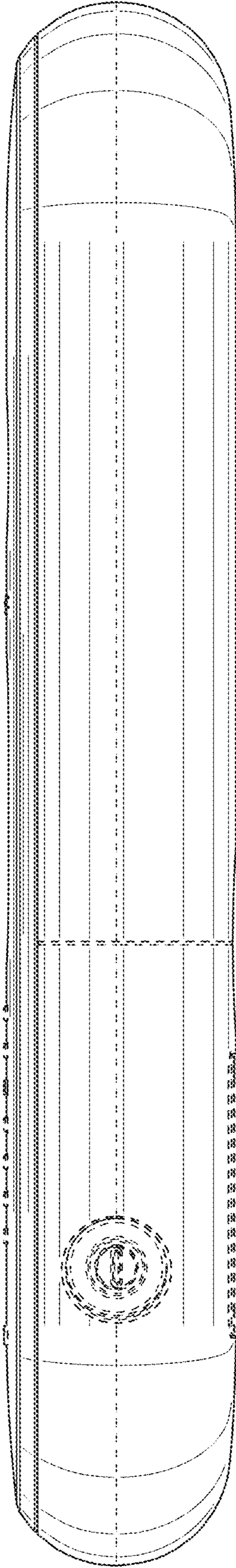


FIG. 3

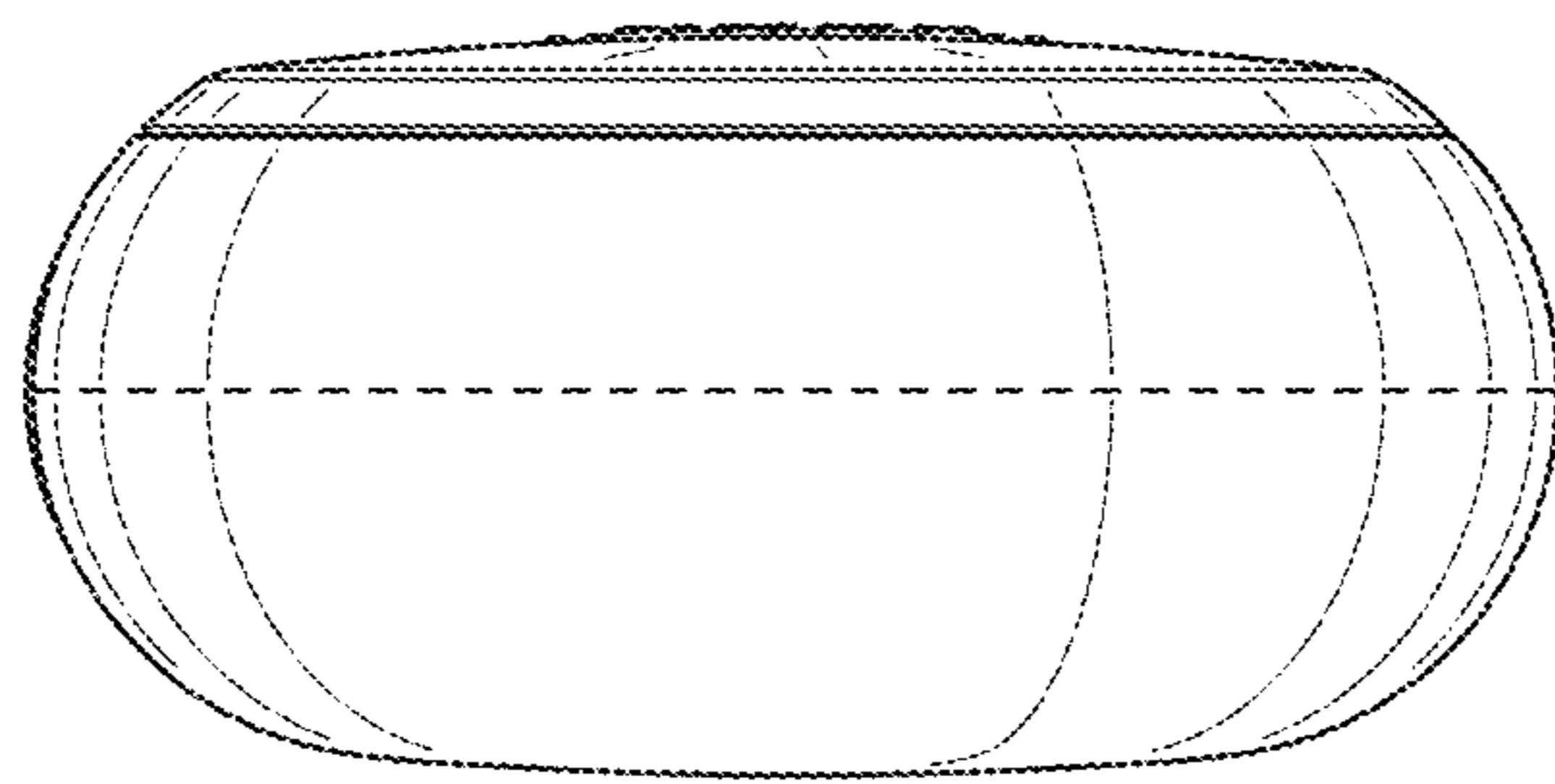


FIG. 4

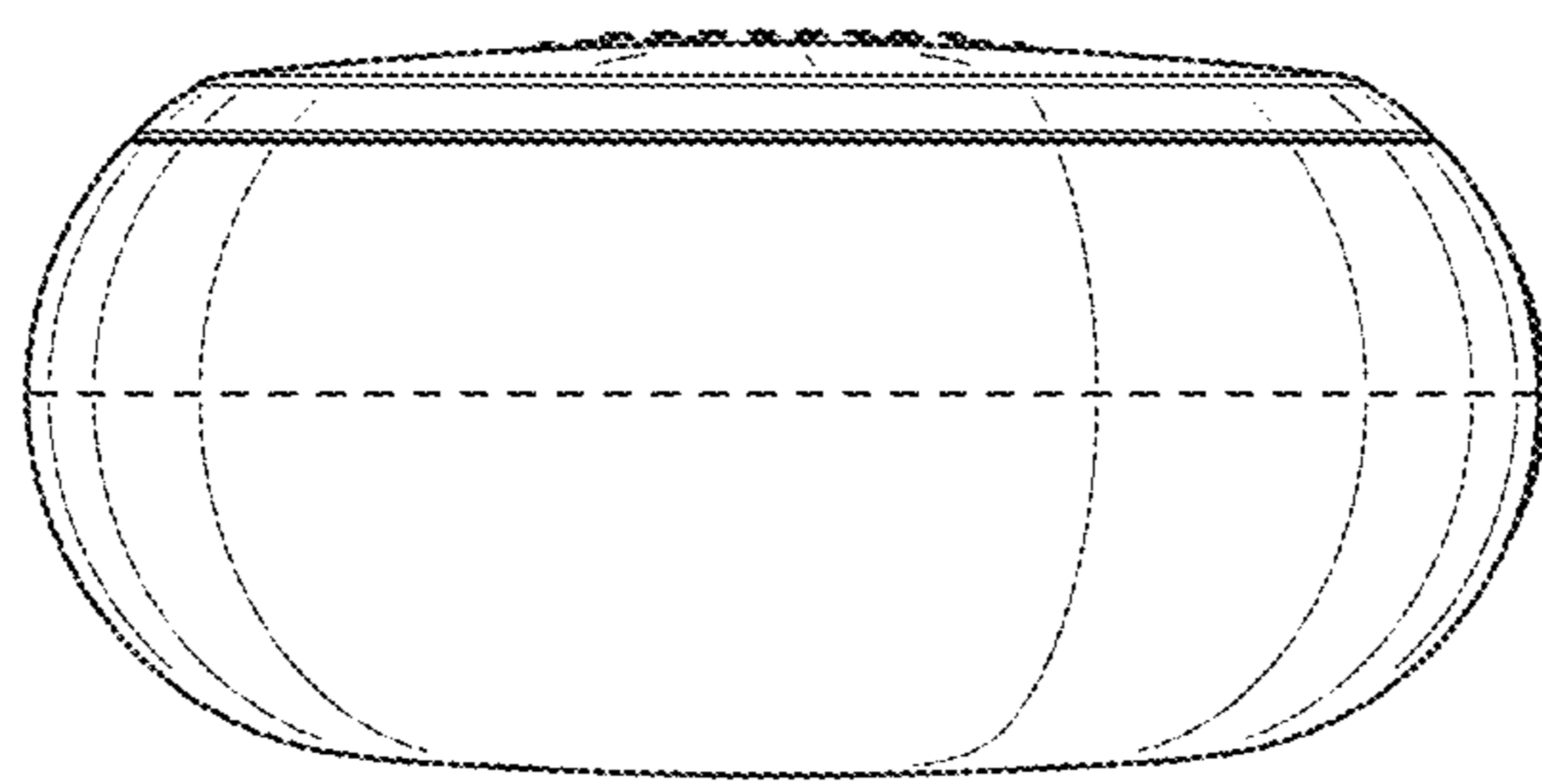


FIG. 5

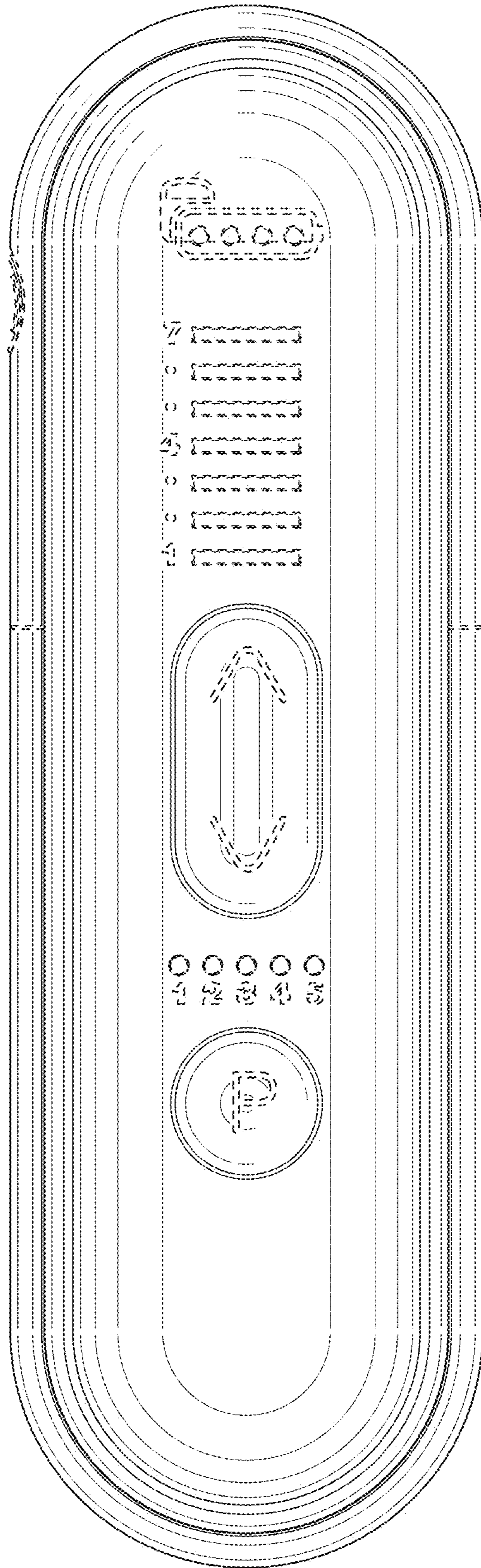


FIG. 6

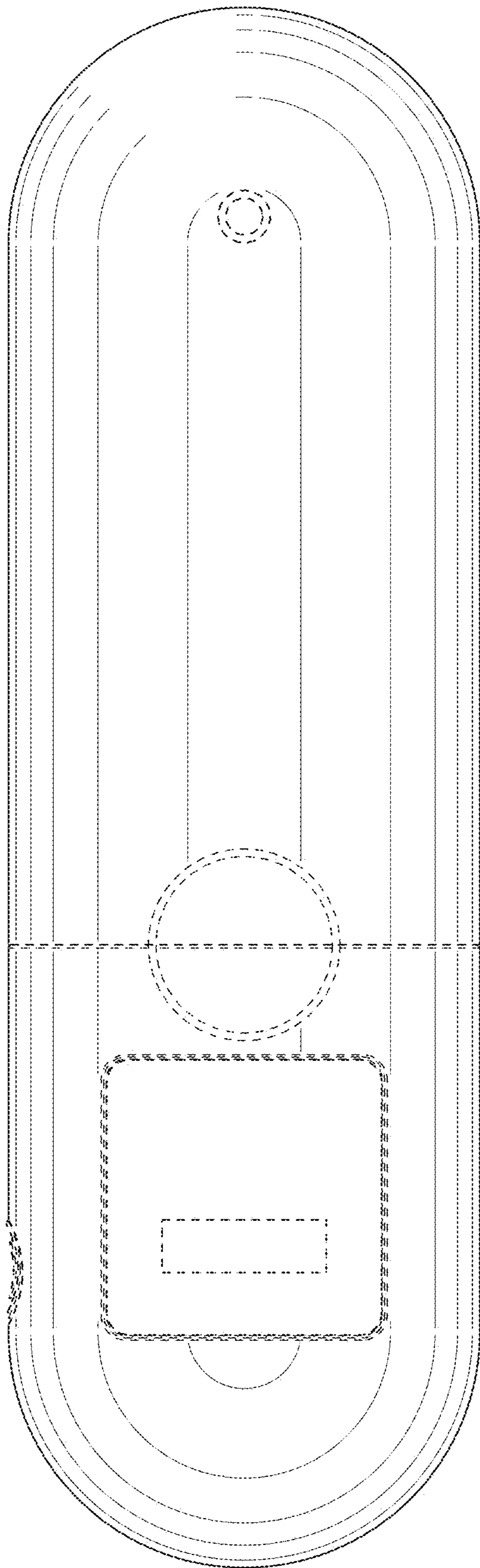


FIG. 7