



US00D964959S

(12) **United States Design Patent** (10) **Patent No.:** **US D964,959 S**
Peng (45) **Date of Patent:** **** Sep. 27, 2022**

- (54) **HEADBAND WITH MUSIC PLAYER**
- (71) Applicant: **SHENZHEN VANERGY TECHNOLOGY CO., LTD**, Shenzhen (CN)
- (72) Inventor: **Xiong Peng**, Shenzhen (CN)
- (73) Assignee: **SHENZHEN VANERGY TECHNOLOGY CO., LTD**, Shenzhen (CN)
- (**) Term: **15 Years**
- (21) Appl. No.: **29/821,244**
- (22) Filed: **Dec. 28, 2021**
- (51) **LOC (13) Cl.** **14-03**
- (52) **U.S. Cl.**
USPC **D14/192**
- (58) **Field of Classification Search**
USPC D2/865, 867, 875, 877; D6/601; D14/192, 205, 217, 223, 372; D16/312
CPC F21V 21/084; A61F 9/027; A42B 1/245; A42B 1/041; A42B 1/242; A42B 1/24
See application file for complete search history.

(56) **References Cited**

U.S. PATENT DOCUMENTS

4,864,619	A *	9/1989	Spates	H04R 1/10 381/384
5,438,698	A *	8/1995	Burton	H04R 1/1033 455/344
D511,036	S *	11/2005	Moses	D2/894
8,111,859	B2	2/2012	Phillips		
D914,287	S *	3/2021	Welch	D28/41
D918,991	S *	5/2021	Du	D16/301
D938,381	S *	12/2021	Li	D16/301
D944,494	S *	3/2022	Peng	D2/875
D946,549	S *	3/2022	Wang	D14/205
2008/0044052	A1 *	2/2008	Whipple	H04R 1/105 381/376

2008/0144872	A1 *	6/2008	Phillips	H04R 5/0335 381/301
2008/0181429	A1 *	7/2008	Fried	H04R 1/44 381/87
2013/0039524	A1 *	2/2013	Jones	H04R 5/033 381/378
2018/0035189	A1 *	2/2018	Givens	H04R 1/025

OTHER PUBLICATIONS

[Bulypazy Sleep Headphones Bluetooth Headband], available in Amazon.com, date first available Aug. 6, 2021 [online], [site visited Aug. 4, 2022], Available from the internet URL: https://www.amazon.com/Headphones-Bluetooth-Headband-Wireless-Meditation/dp/B096M12J7T/ref=sr_1_11_sspa (Year: 2021).*

* cited by examiner

Primary Examiner — Khawaja Anwar
Assistant Examiner — Megan Tiana Rakos

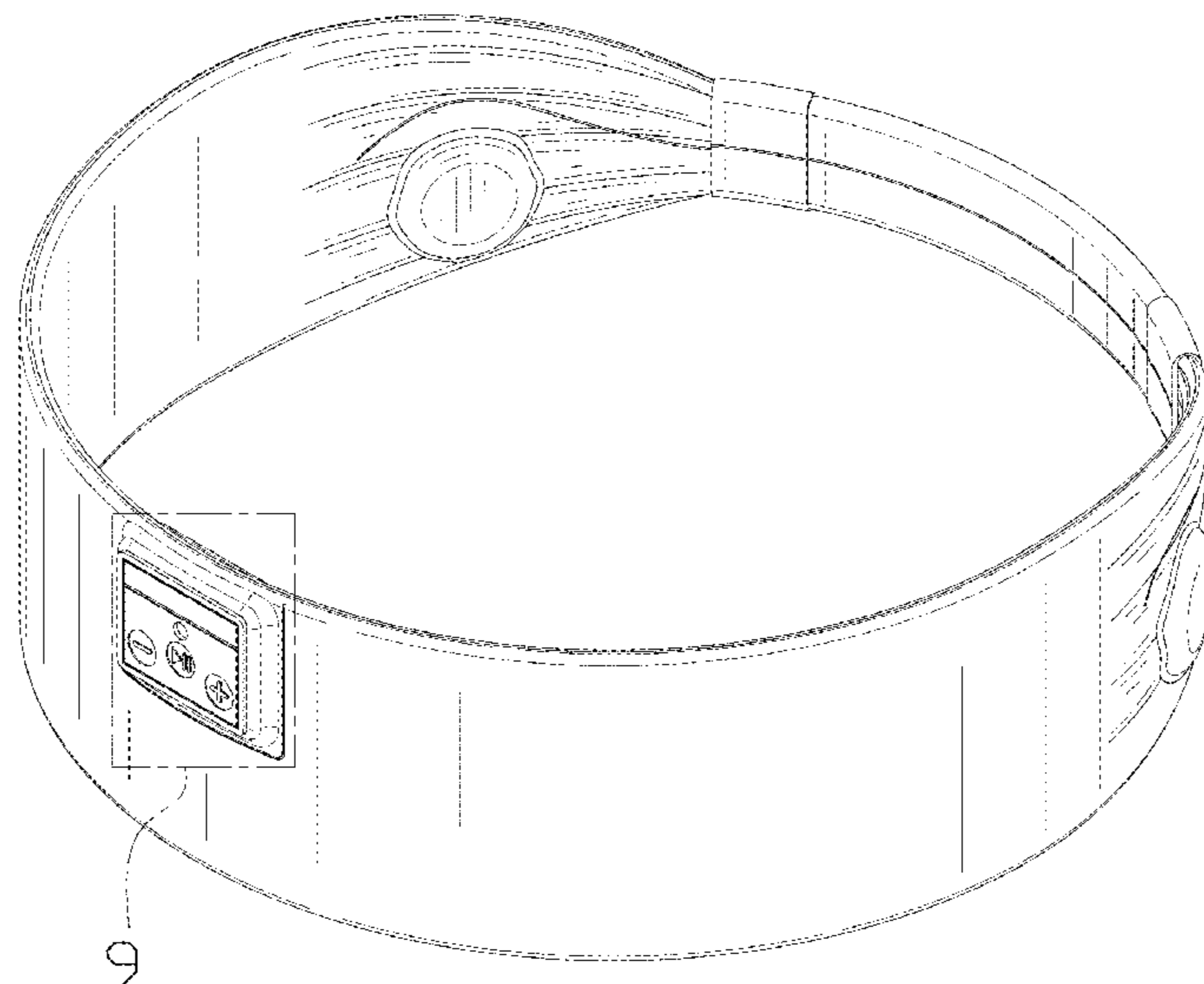
(57) **CLAIM**

The ornamental design for a headband with music player, as shown and described.

DESCRIPTION

FIG. 1 is a perspective view of a headband with music player showing my new design;
FIG. 2 is another perspective view thereof;
FIG. 3 is a front elevational view thereof;
FIG. 4 is a rear elevational view thereof;
FIG. 5 is a left side elevational view thereof;
FIG. 6 is a right side elevational view thereof;
FIG. 7 is a top plan view thereof;
FIG. 8 is a bottom plan view thereof;
FIG. 9 is an enlarged view of portion 9 shown in FIG. 1;
FIG. 10 is an enlarged view of portion 10 shown in FIG. 2;
and,
FIG. 11 is an enlarged view of portion 11 shown in FIG. 2.
The dot-dash broken lines represent boundaries of the enlarged portions and form no part of the claimed design.

1 Claim, 11 Drawing Sheets



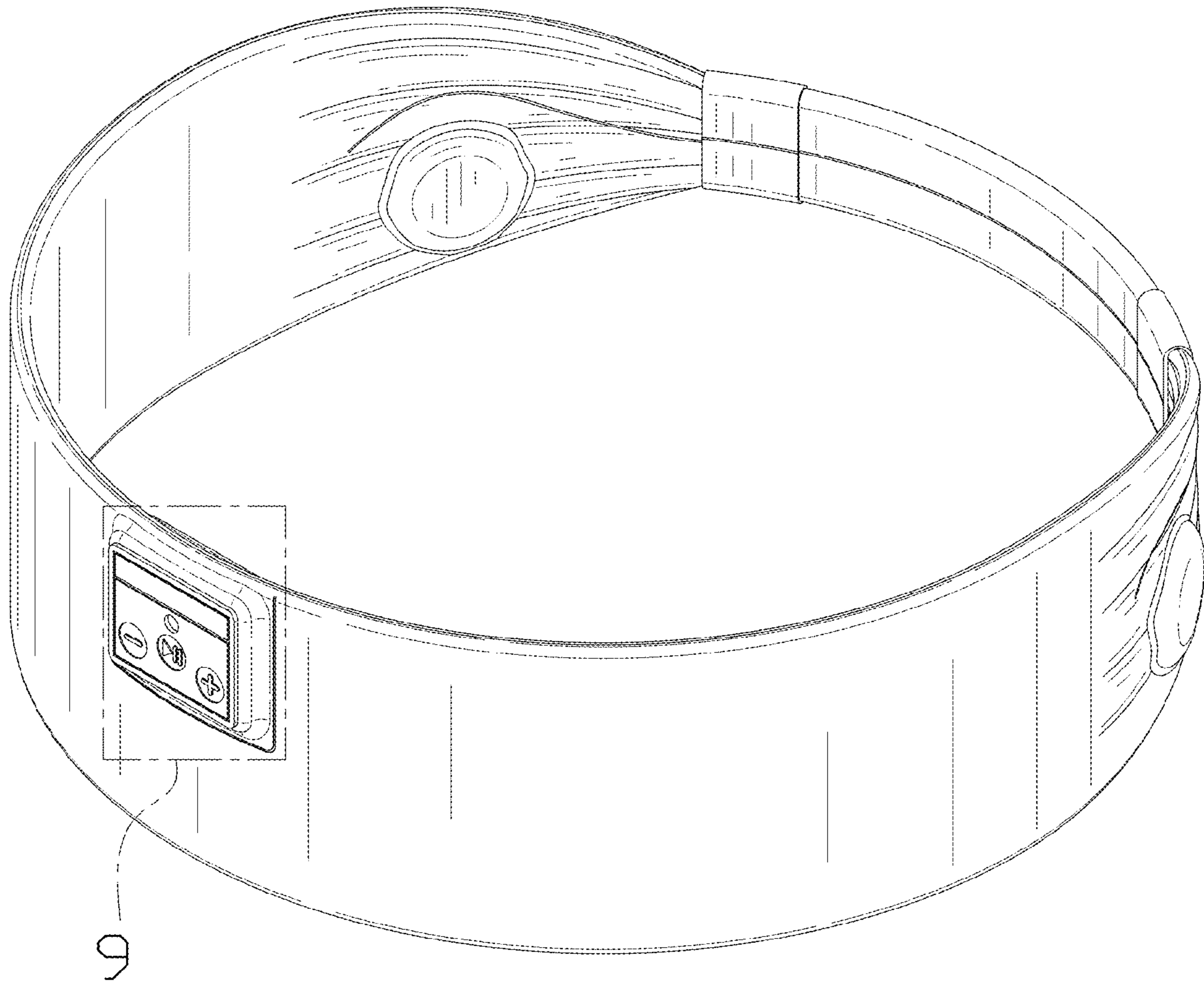


FIG. 1

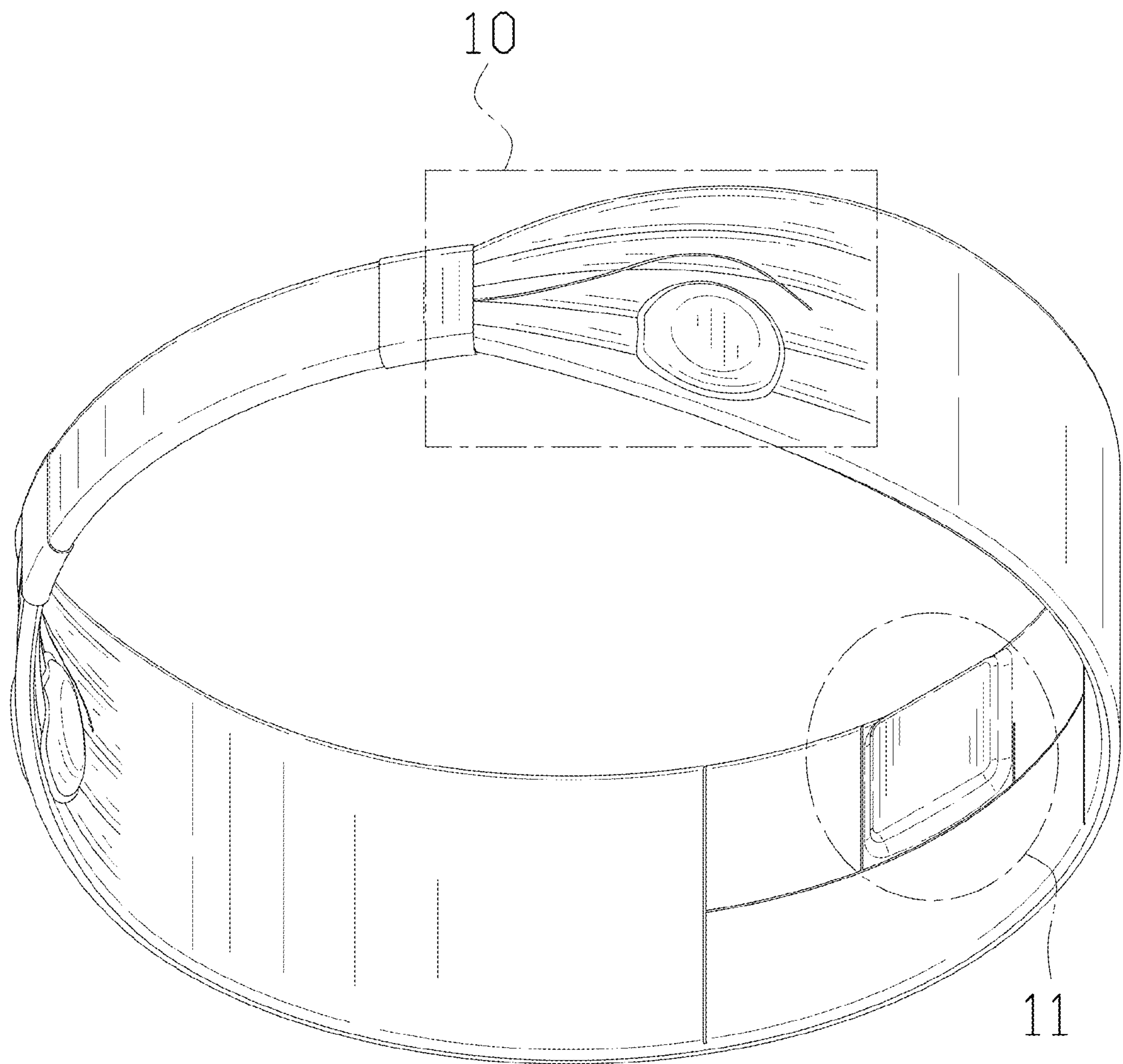


FIG. 2

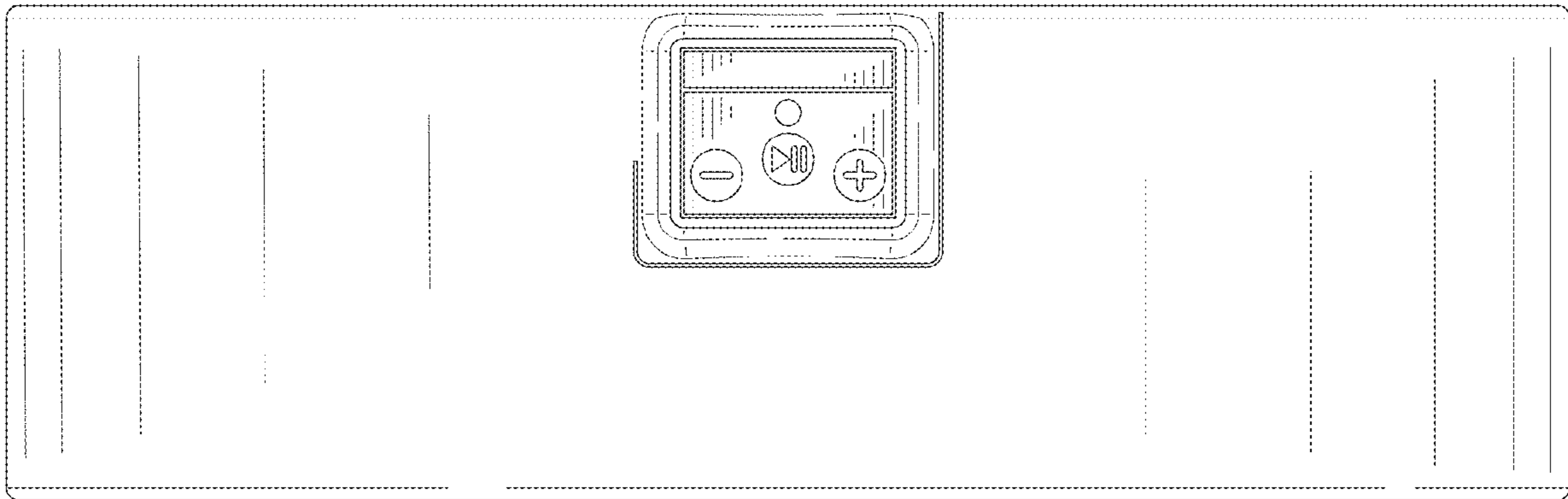


FIG. 3

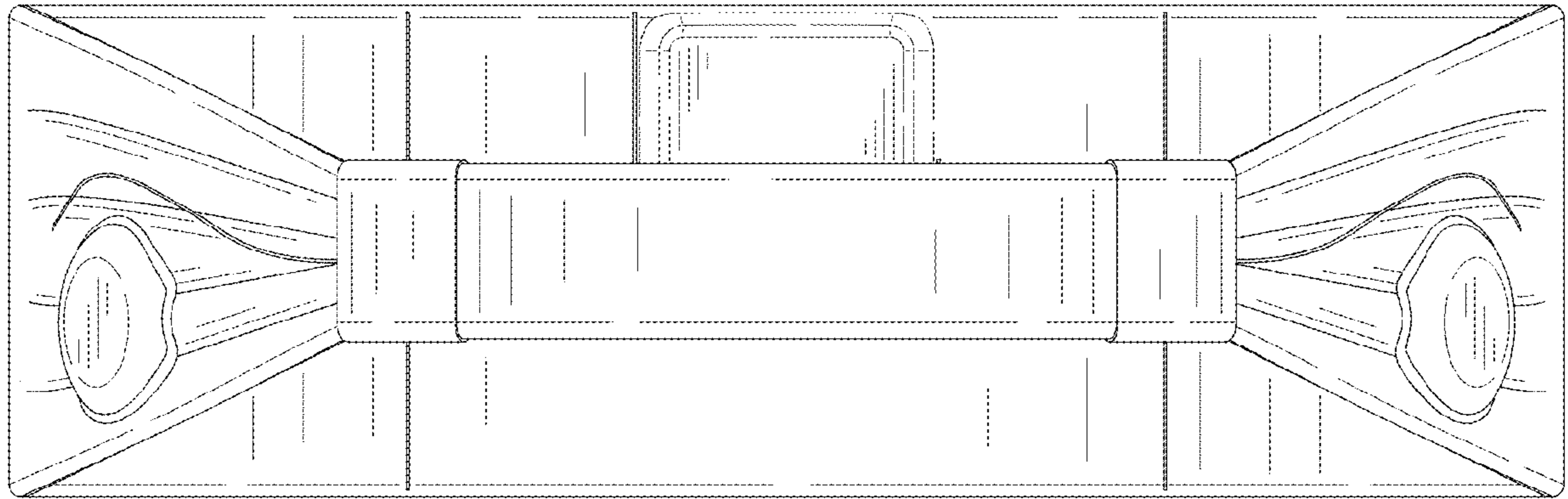


FIG. 4

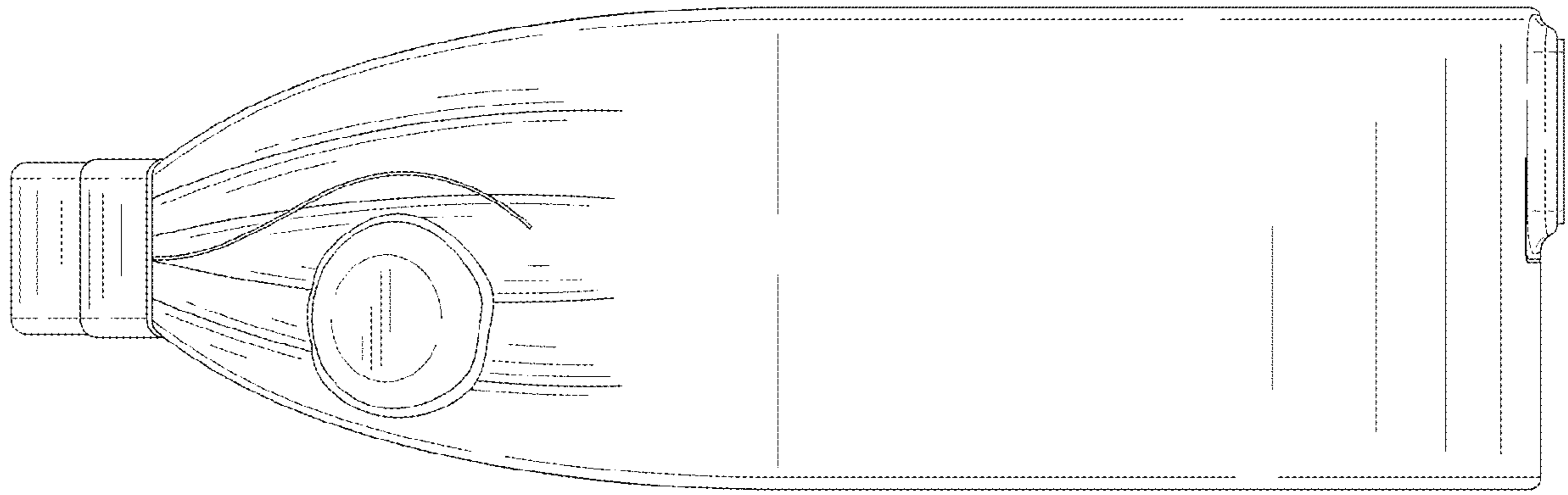


FIG. 5

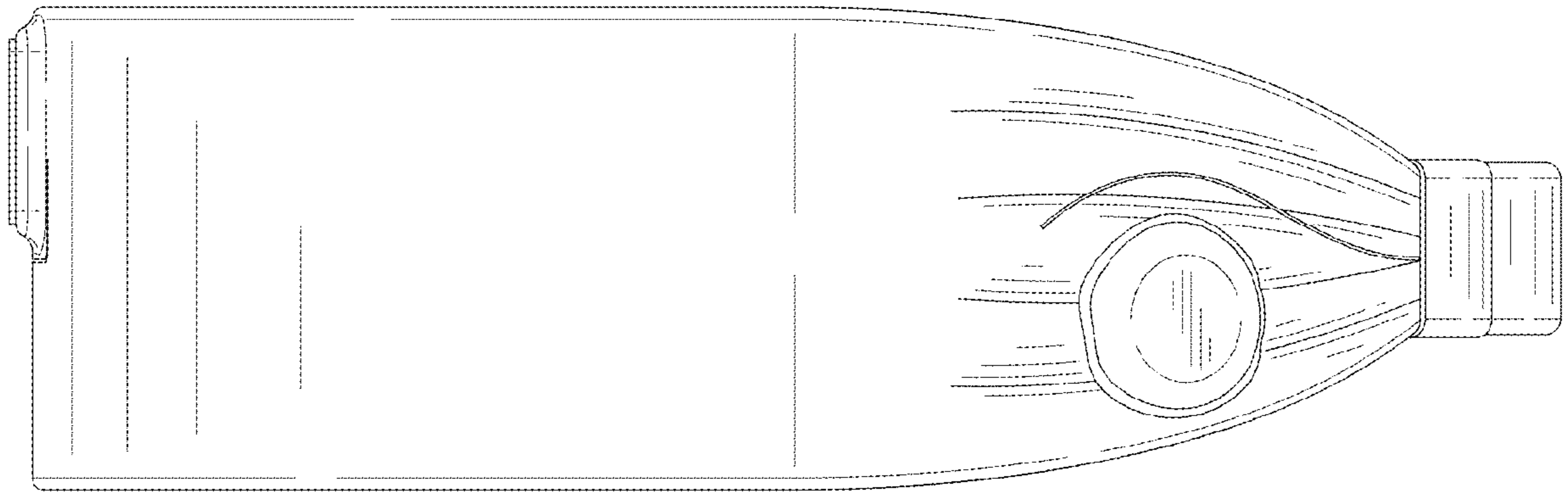


FIG. 6

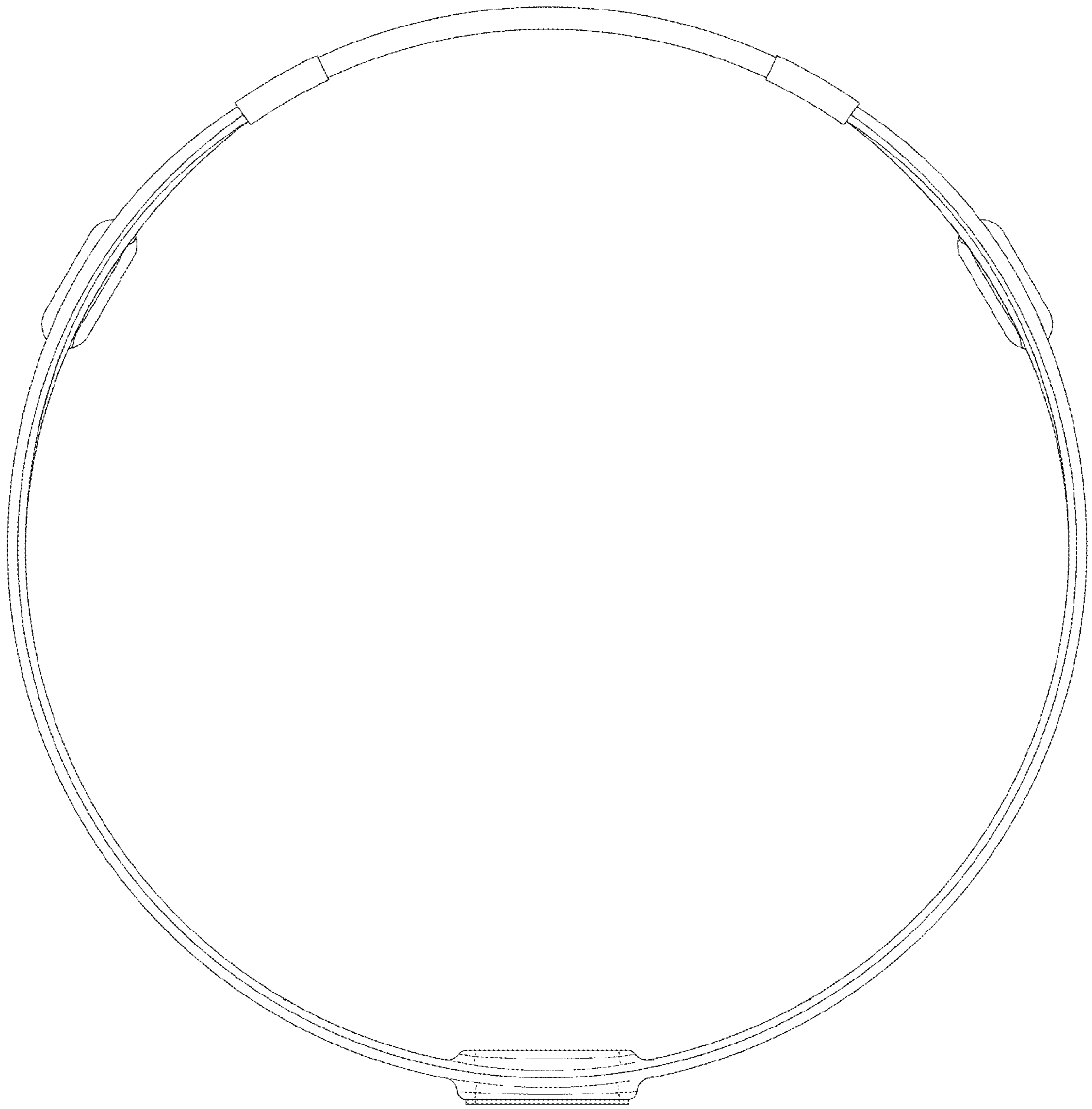


FIG. 7

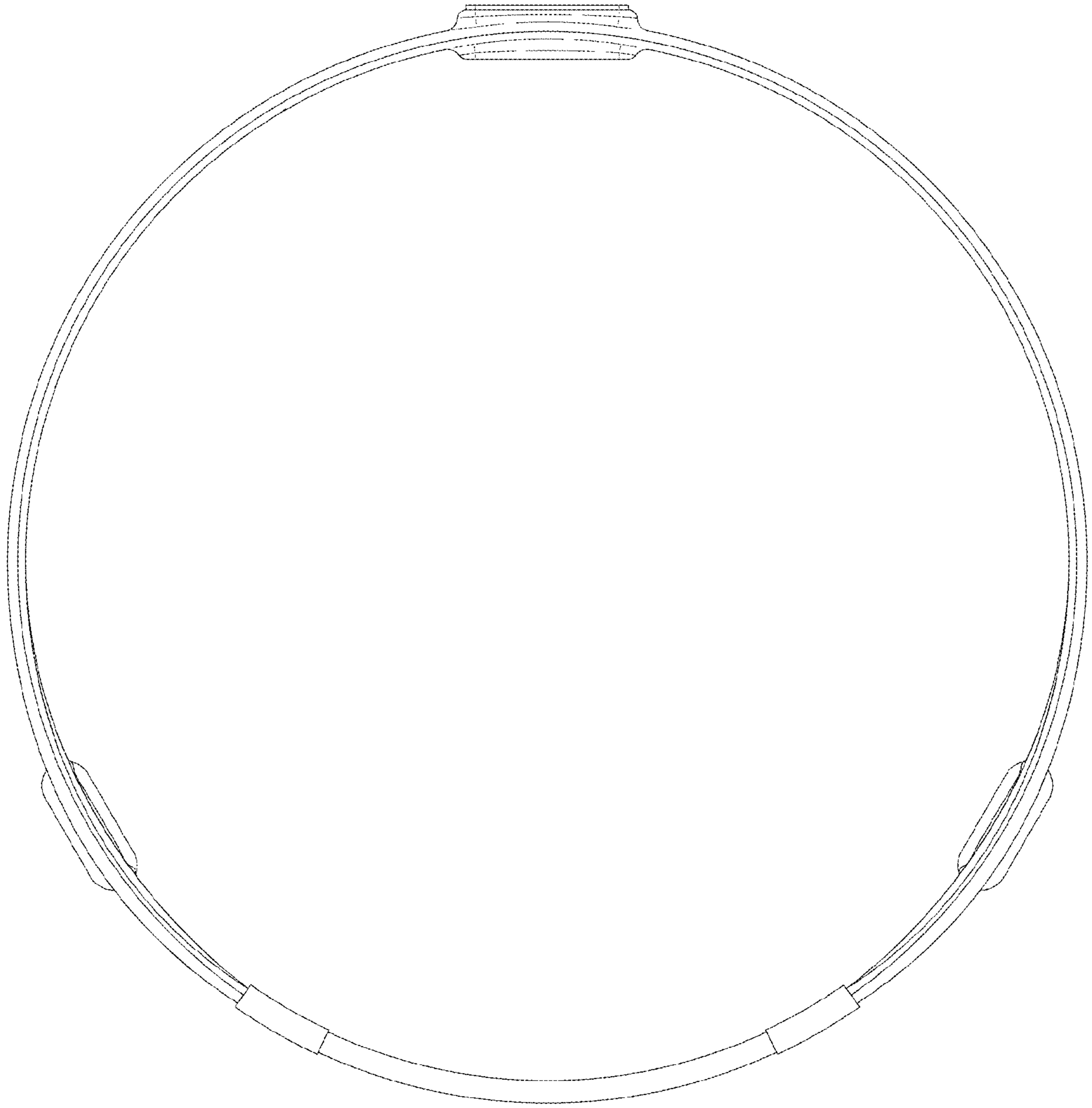


FIG. 8

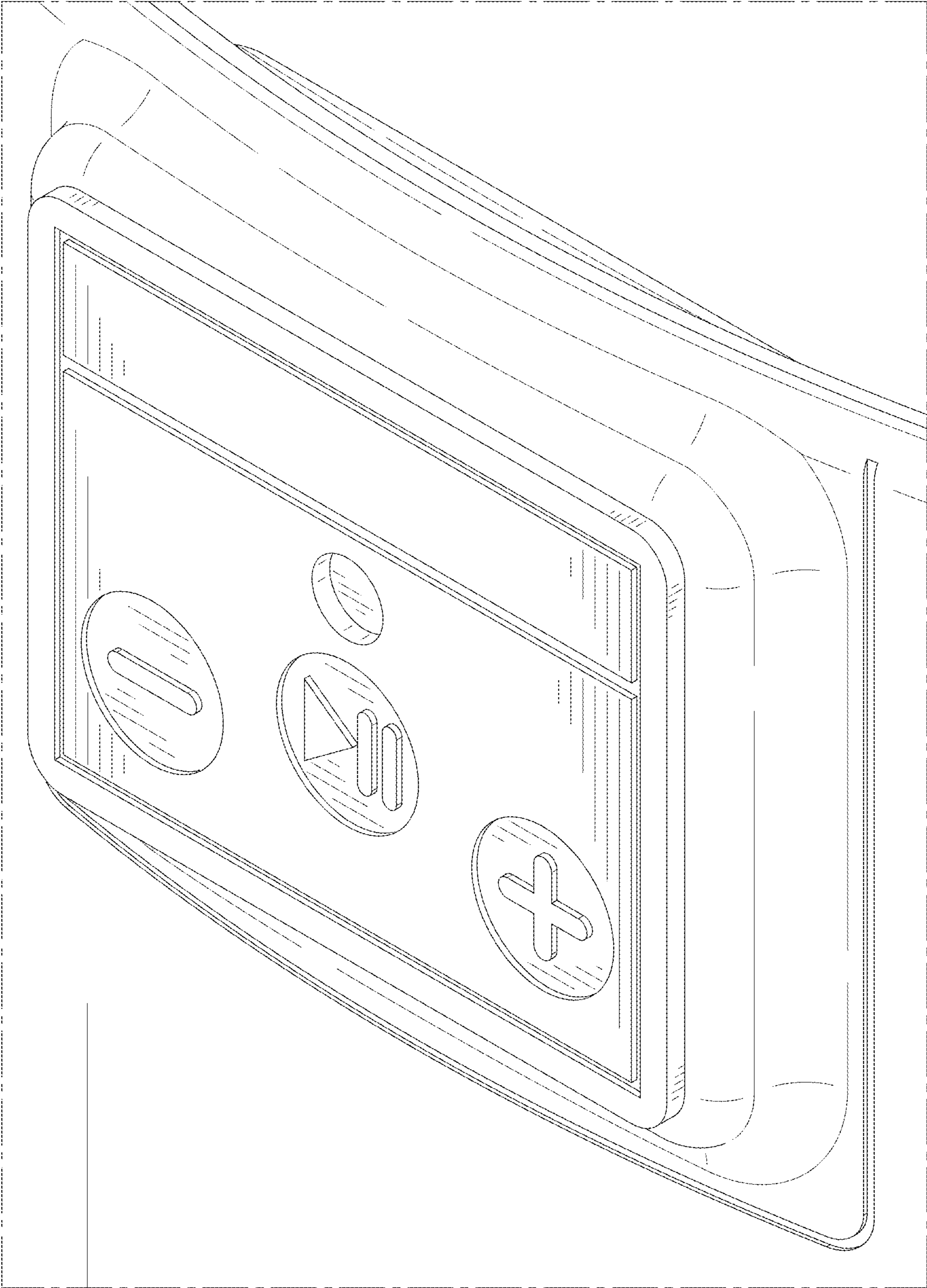


FIG. 9

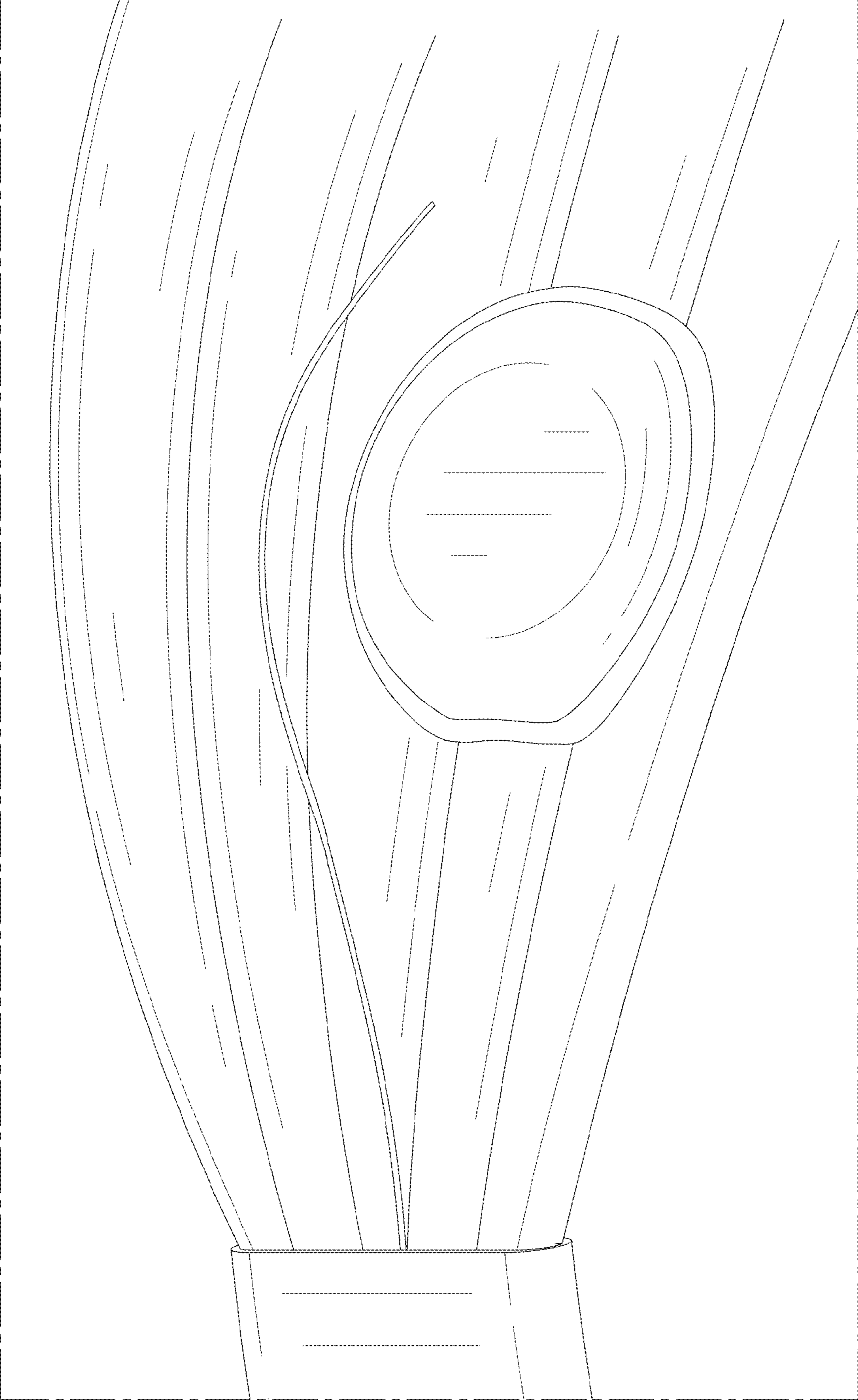


FIG. 10

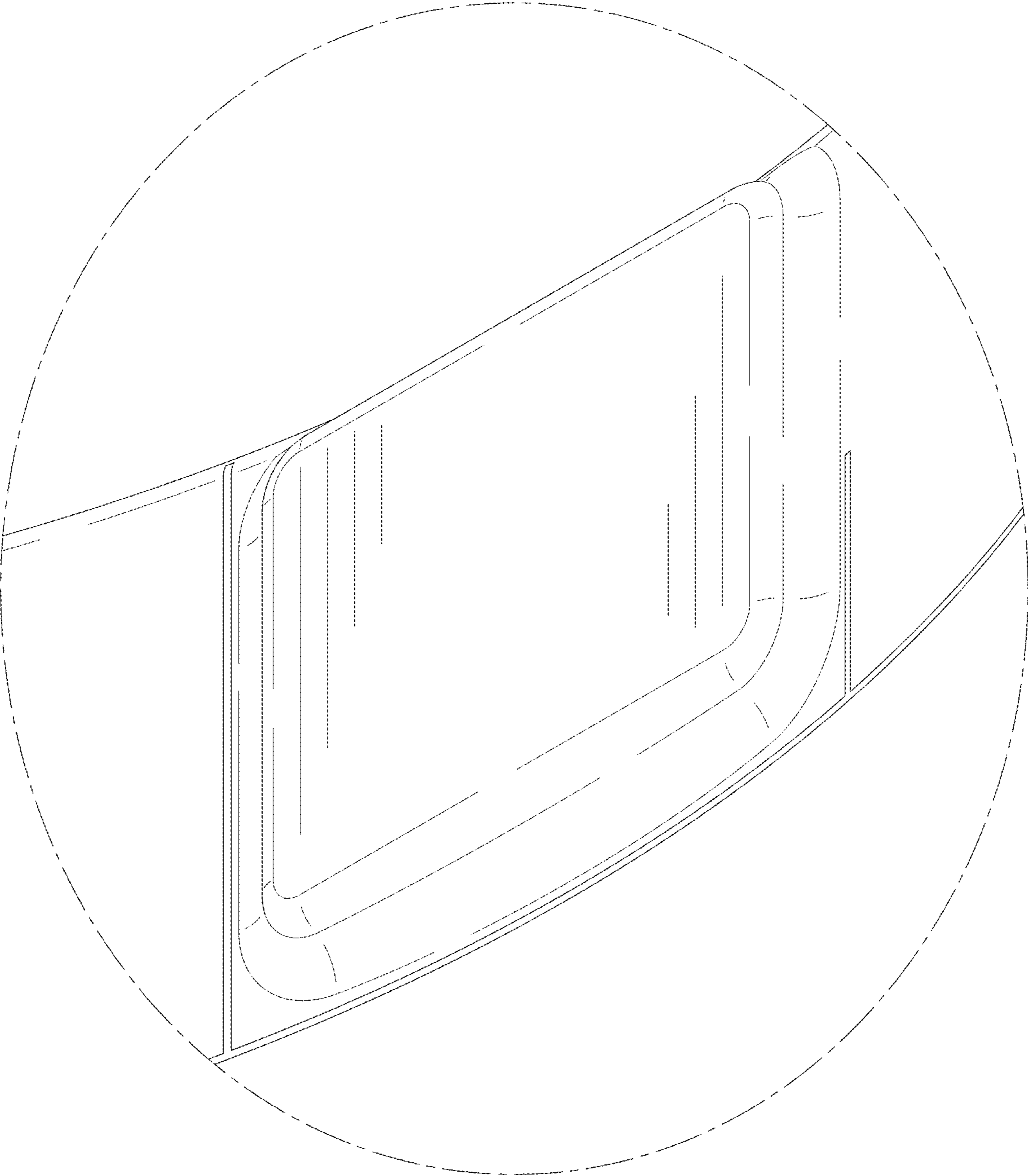


FIG. 11