



US00D964957S

(12) **United States Design Patent**
Li

(10) **Patent No.:** **US D964,957 S**

(45) **Date of Patent:** **** Sep. 27, 2022**

- (54) **WIRELESS MUSIC HEADPHONE**
- (71) Applicant: **Jianping Li**, Pingxiang (CN)
- (72) Inventor: **Jianping Li**, Pingxiang (CN)
- (**) Term: **15 Years**
- (21) Appl. No.: **29/786,661**
- (22) Filed: **Jun. 1, 2021**
- (51) **LOC (13) Cl.** **14-01**
- (52) **U.S. Cl.**
USPC **D14/192**
- (58) **Field of Classification Search**
USPC D14/192, 205, 344; D16/301, 306, 312,
D16/339; D24/206, 190, 207; D2/894,
D2/866, 875; 2/171, DIG. 11; D28/41;
132/53-54; 381/380-381, 376, 333, 388,
381/338, 378
CPC H04R 25/00; H04R 25/02; H04R 1/02;
H04R 1/10; H04R 9/06; H04R 1/105;
H04R 5/02; H04R 1/1075; H04R 5/033;
H04R 5/0335; H04R 3/12; H04R 1/1008;
A42B 1/245; A61F 13/00; A61F 9/04
See application file for complete search history.

- 3,922,725 A * 12/1975 Csiki A61F 11/14
2/209
- 3,952,158 A * 4/1976 Kyle H04R 3/04
381/372
- 4,047,400 A * 9/1977 Thorneburg A41D 20/00
66/190
- 4,173,715 A * 11/1979 Gosman H04R 1/1058
181/129
- D254,876 S * 5/1980 Reitenga D29/112
- 4,418,248 A * 11/1983 Mathis H04R 1/26
381/373
- D282,020 S * 1/1986 Gwon D2/866
- D284,080 S * 6/1986 Swezey D2/866
- 4,641,655 A * 2/1987 Abt A61F 7/10
607/109

(Continued)

FOREIGN PATENT DOCUMENTS

- CN 307103597 * 2/2022
- EM 008468870-0001 * 3/2021

(Continued)

Primary Examiner — Paula Allen Greene
(74) *Attorney, Agent, or Firm* — Georgi Korobanov

(57) **CLAIM**

The ornamental design for a wireless music headphone, as shown and described.

(56) **References Cited**

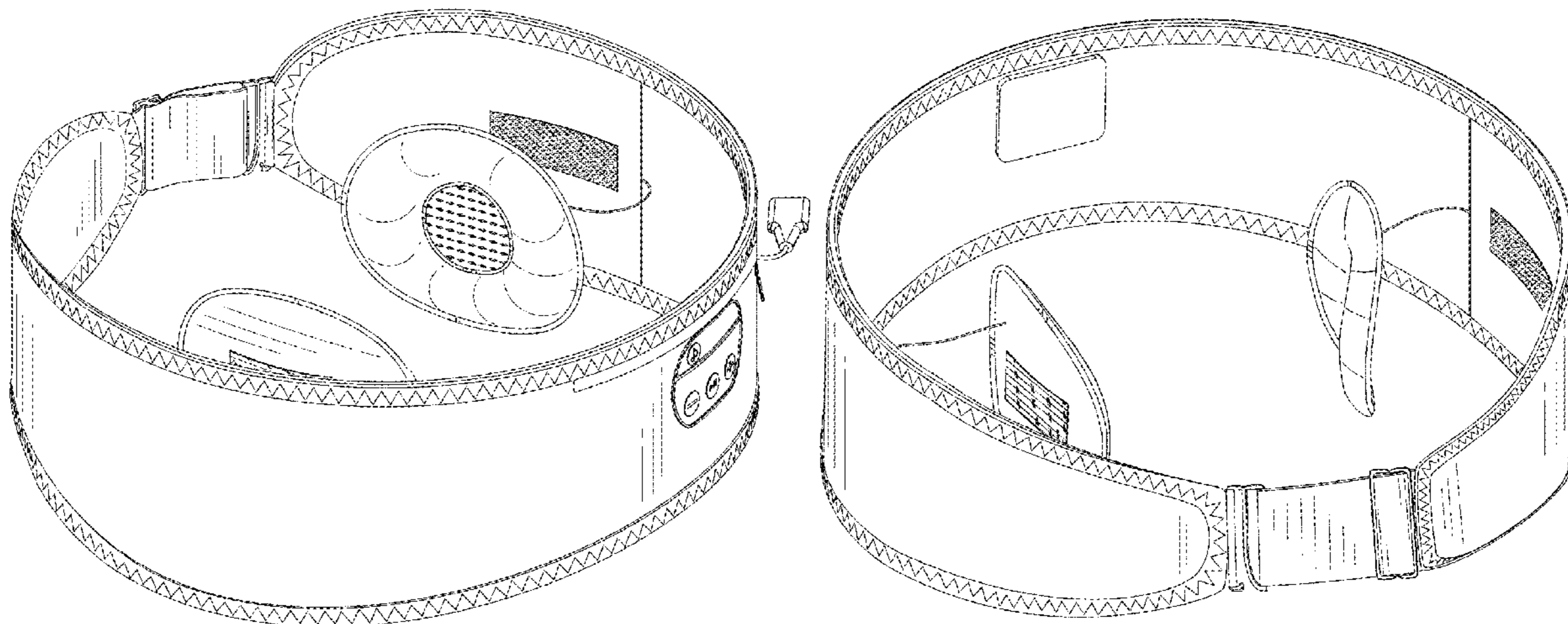
U.S. PATENT DOCUMENTS

- 1,927,751 A * 9/1933 Mensi A61F 7/08
D24/207
- 2,361,963 A * 11/1944 Rosenblatt A61F 11/12
137/859
- 2,474,387 A * 6/1949 Wallace H03J 7/32
455/147
- 2,537,768 A * 1/1951 Laporte A61F 9/04
128/857
- 2,633,127 A * 3/1953 Scholl A61F 13/063
128/894
- 3,301,254 A * 1/1967 Schickendanz A61F 13/063
623/7

DESCRIPTION

FIG. 1 is a perspective view of a wireless music headphone showing my new design;
FIG. 2 is a front view thereof;
FIG. 3 is a rear view thereof;
FIG. 4 is a left side view thereof;
FIG. 5 is a right side view thereof;
FIG. 6 is a top plan view thereof;
FIG. 7 is a bottom plan view thereof;
FIG. 8 is a perspective view in a use state; and,
FIG. 9 is another perspective view thereof.

1 Claim, 9 Drawing Sheets



(56)

References Cited

U.S. PATENT DOCUMENTS

4,682,363 A * 7/1987 Goldfarb H04R 5/0335
381/189
D294,710 S * 3/1988 Witzel D29/112
4,864,619 A * 9/1989 Spates H04R 1/10
381/384
5,088,549 A * 2/1992 Schneider A61F 7/02
165/DIG. 45
D328,160 S * 7/1992 Sudduth D29/112
5,303,426 A * 4/1994 Jones A41D 20/00
2/209
5,305,470 A * 4/1994 McKay A41D 20/005
2/171.2
5,329,592 A * 7/1994 Altman H04R 5/0335
381/74
5,438,698 A * 8/1995 Burton H04R 1/1033
455/344
D364,710 S * 11/1995 Byrd D29/112
D384,790 S * 10/1997 Juergens D2/866
5,806,535 A * 9/1998 Becker A41G 5/0093
132/54
5,881,390 A * 3/1999 Young A42B 1/245
2/209.13
5,920,909 A * 7/1999 Ellsworth A45D 8/00
132/273
5,946,734 A * 9/1999 Vogan A42B 3/121
2/200.1
D511,036 S * 11/2005 Moses D2/894
D547,008 S * 7/2007 Machold D29/112
D547,500 S * 7/2007 Karrman A61F 11/14
D29/112
D615,068 S * 5/2010 Yuasa D14/216
7,983,437 B2 * 7/2011 Wong H04R 1/1075
381/381
8,111,859 B2 * 2/2012 Phillips H04R 5/0335
381/376

8,213,670 B2 * 7/2012 Lai H04R 5/0335
381/376
D672,938 S * 12/2012 Von Euler D2/866
D687,189 S * 7/2013 Fairclough D29/112
D717,489 S * 11/2014 Haas D28/41
D723,245 S * 3/2015 Womack D2/600
D728,158 S * 4/2015 Beaugureau D28/41
D736,394 S * 8/2015 Owoc D2/894
D747,696 S * 1/2016 Hardi D14/205
D779,120 S * 2/2017 Cull D28/41
D780,376 S * 2/2017 Johnson D28/41
D784,546 S * 4/2017 Gordon D24/190
D832,558 S * 11/2018 Hawes D2/875
D861,060 S * 9/2019 Zheng A61F 9/04
D16/301
D861,885 S * 10/2019 McEwen D24/190
D870,062 S * 12/2019 Peng D2/866
D905,859 S * 12/2020 Inzer D24/190
D907,688 S * 1/2021 Du D16/301
D913,984 S * 3/2021 Li D14/192
D918,991 S * 5/2021 Du D16/301
D932,459 S * 10/2021 Liu B60B 39/12
D14/205
D938,381 S * 12/2021 Li D16/301
D944,494 S * 3/2022 Peng D2/875
D946,549 S * 3/2022 Wang D14/205
2006/0185062 A1 * 8/2006 Peng H04R 5/0335
2/209.13
2008/0044052 A1 * 2/2008 Whipple H04R 1/105
381/376
2008/0181429 A1 * 7/2008 Fried H04R 1/44
381/87
2018/0035189 A1 * 2/2018 Givens H04R 1/025

FOREIGN PATENT DOCUMENTS

EM 008591267-0001 * 6/2021
GB 6143664 * 6/2021
GB 6145649 * 6/2021

* cited by examiner

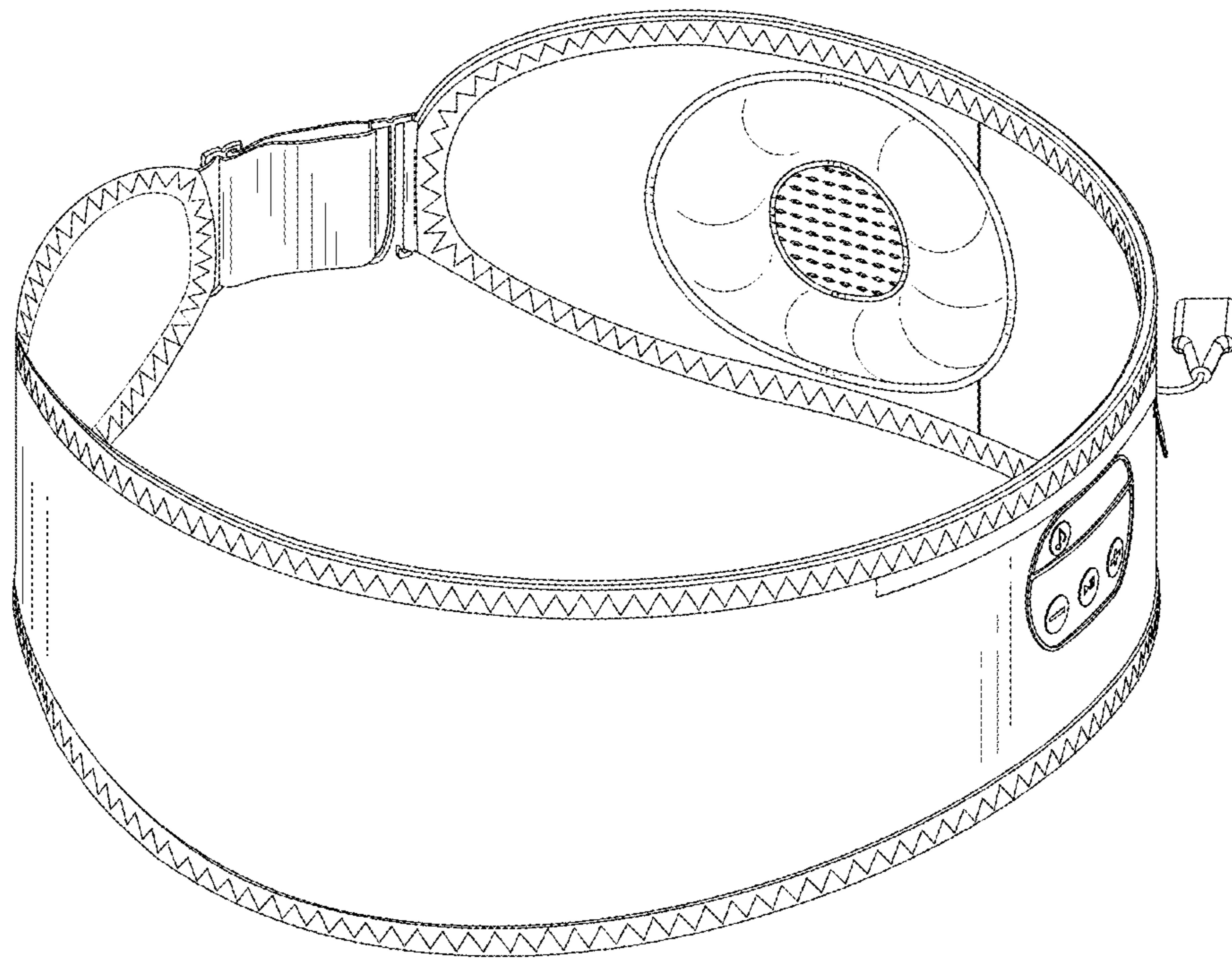


FIG. 1

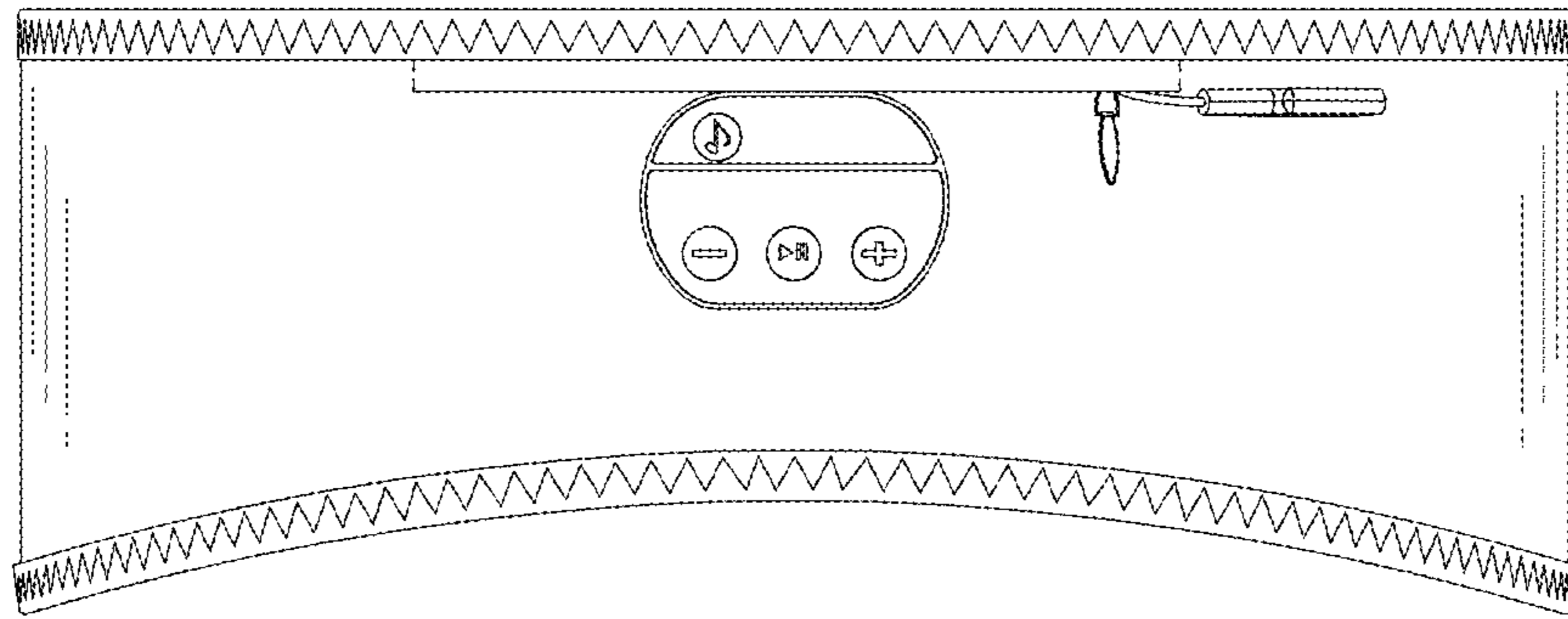


FIG. 2

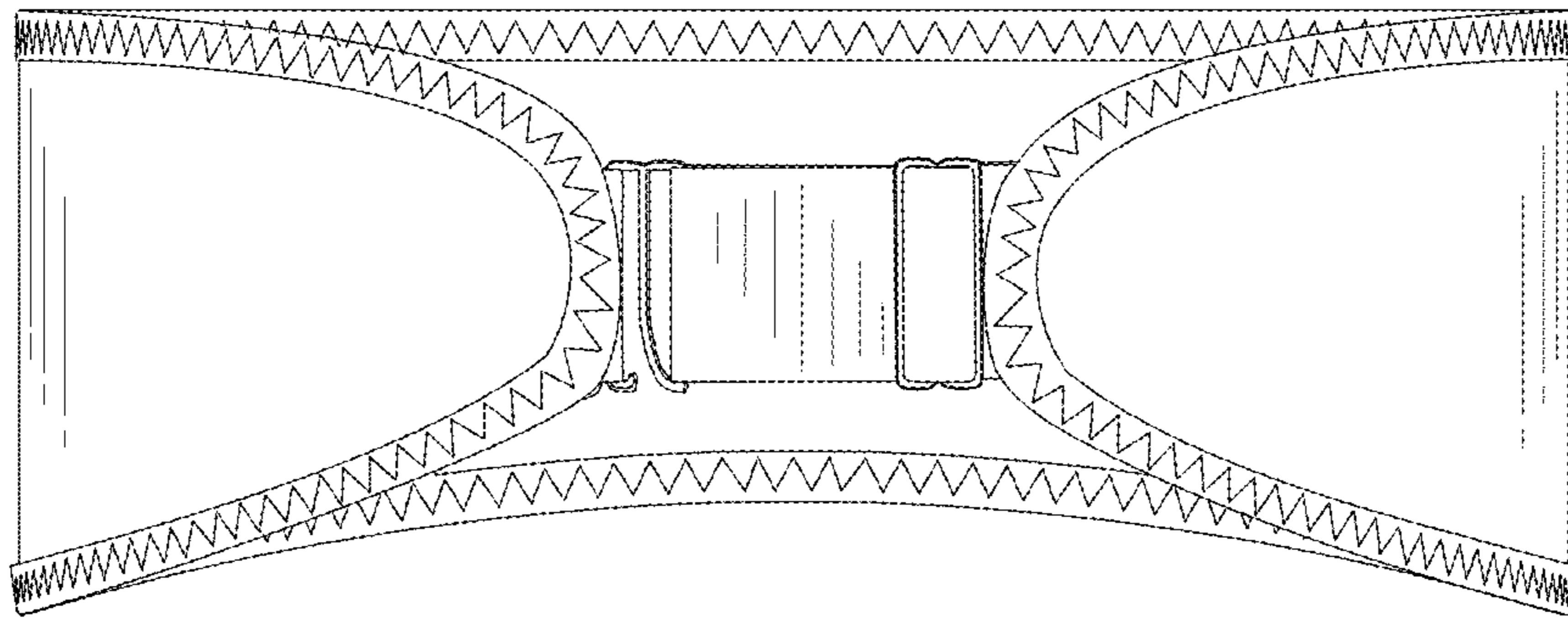


FIG. 3

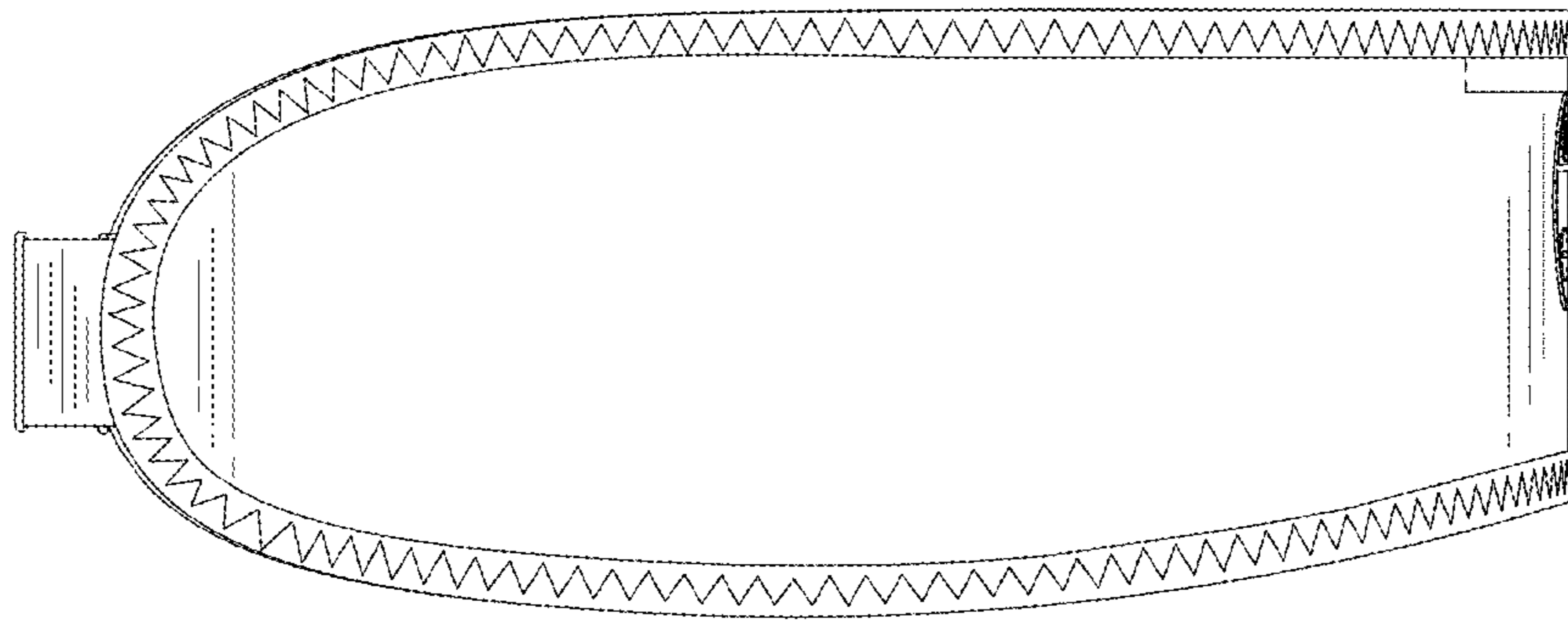


FIG. 4

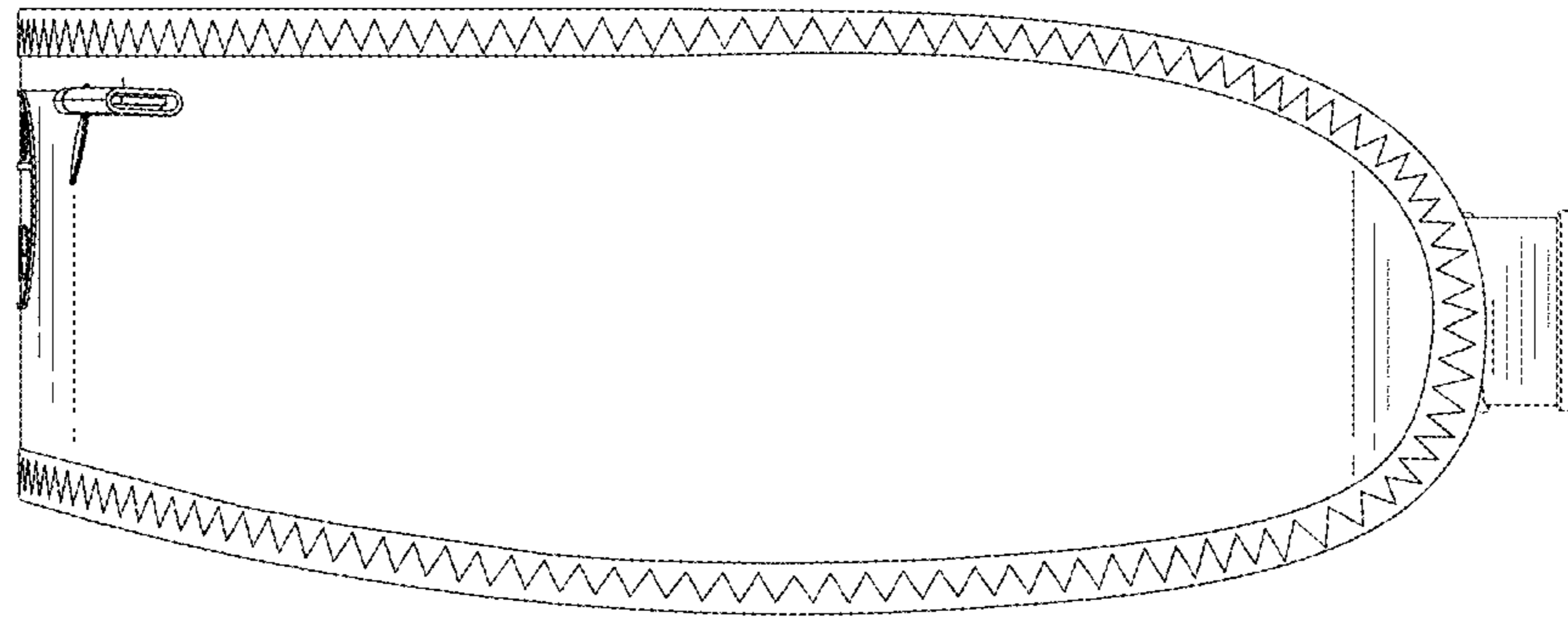


FIG. 5

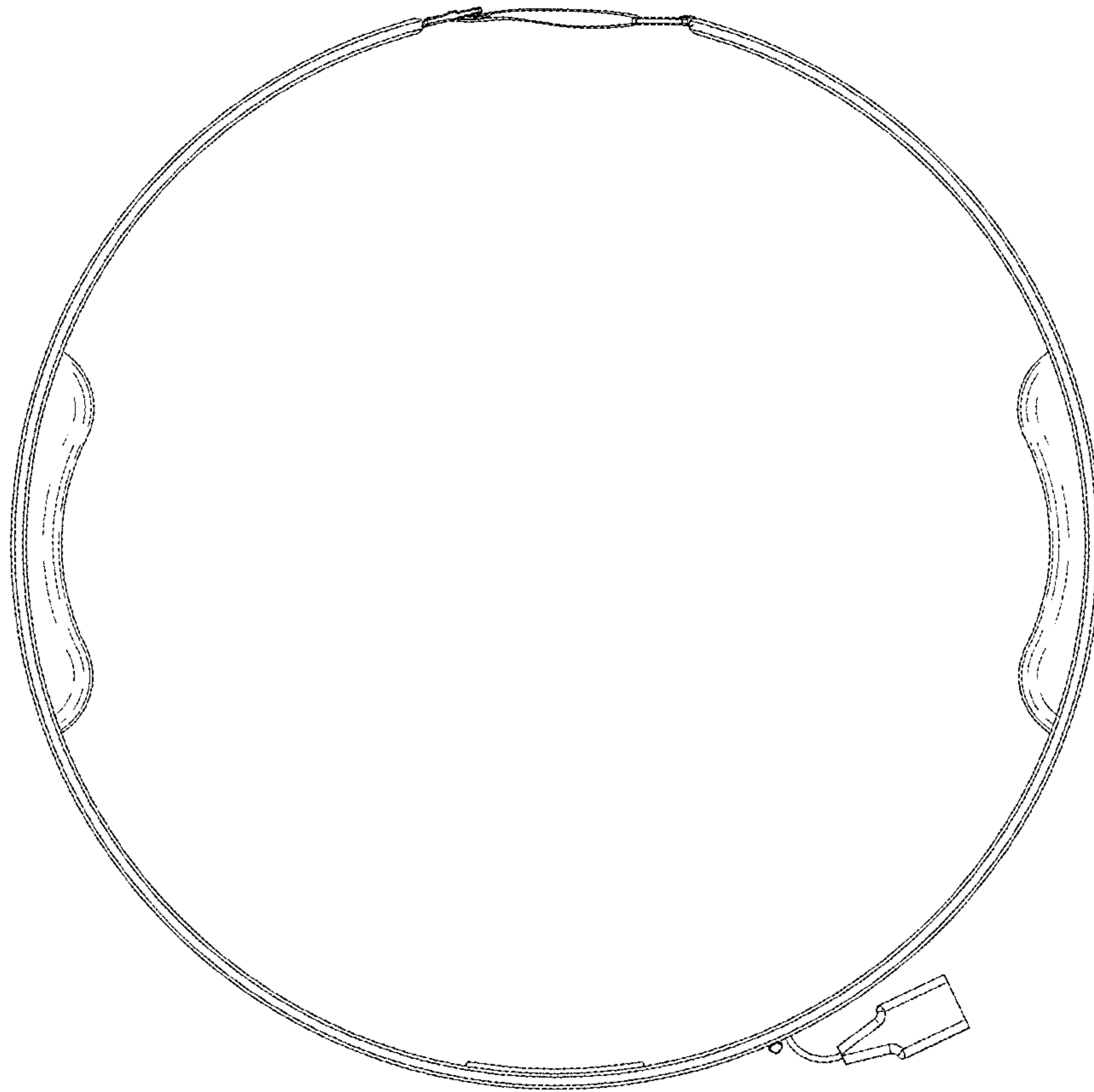


FIG. 6

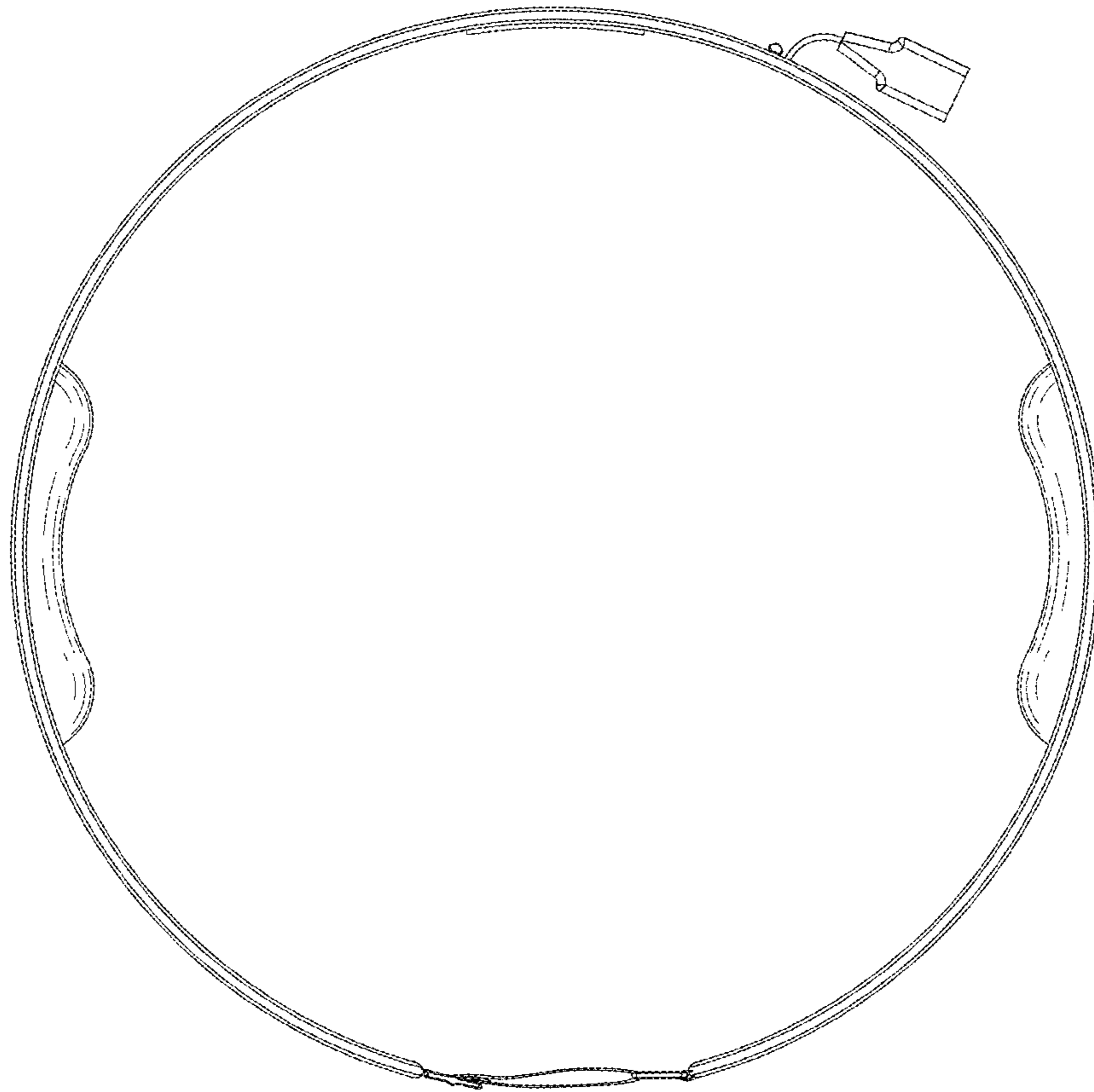


FIG. 7

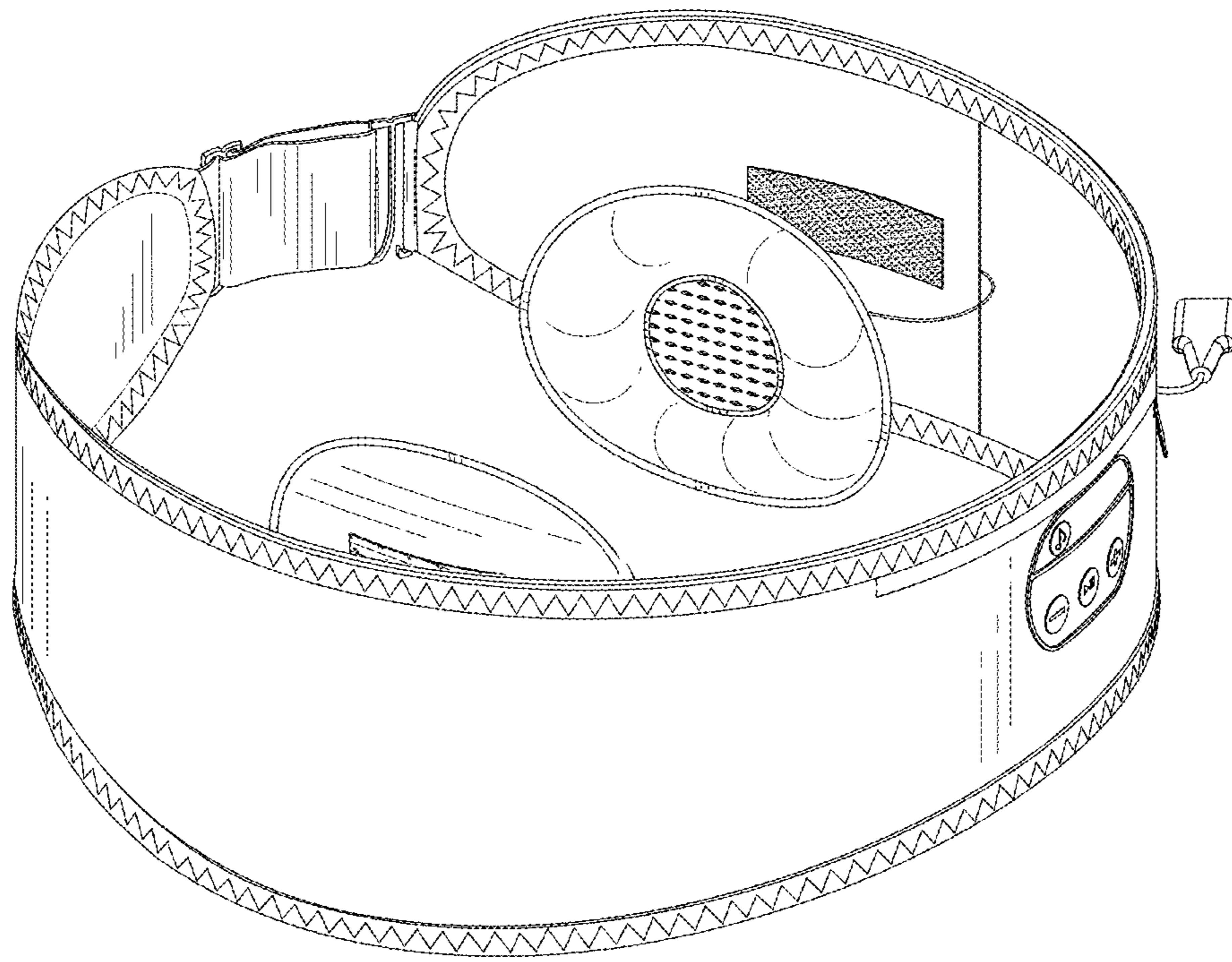


FIG. 8

