



US00D964956S

(12) **United States Design Patent**
Gong et al.

(10) **Patent No.:** **US D964,956 S**
(45) **Date of Patent:** **** Sep. 27, 2022**

(54) **MOBILE PHONE**

(71) Applicant: **BEIJING XIAOMI MOBILE SOFTWARE CO., LTD.**, Beijing (CN)

(72) Inventors: **Shengyu Gong**, Beijing (CN); **Xu Wei**, Beijing (CN)

(73) Assignee: **BEIJING XIAOMI MOBILE SOFTWARE CO., LTD.**, Beijing (CN)

(**) Term: **15 Years**

(21) Appl. No.: **29/753,279**

(22) Filed: **Sep. 30, 2020**

(30) **Foreign Application Priority Data**

Apr. 9, 2020 (CN) 202030144827.6

(51) **LOC (13) Cl.** **14-03**

(52) **U.S. Cl.**
USPC **D14/138 AB**

(58) **Field of Classification Search**
USPC D14/138 AA, 138 AB, 138 AC, 138 AD,
D14/138 C, 138 R, 138 G, 214, 248, 250,
D14/330, 341, 345-347, 426
(Continued)

(56) **References Cited**

U.S. PATENT DOCUMENTS

D468,279 S * 1/2003 Kim D14/138 AB
D525,230 S * 7/2006 Kim D14/138 AB
(Continued)

OTHER PUBLICATIONS

Samsung Galaxy Z Flip 5G—Full phone specifications, announced Jun. 22, 2020 [online], retrieved Mar. 10, 2022, Available at URL: https://www.gsmarena.com/samsung_galaxy_z_flip_5g-10244.php (Year: 2020).*

(Continued)

Primary Examiner — Wendy L Arminio

Assistant Examiner — Carrie S Gelula

(74) *Attorney, Agent, or Firm* — Amster, Rothstein & Ebenstein LLP

(57) **CLAIM**

The ornamental design for a mobile phone, as shown and described.

DESCRIPTION

FIG. 1 is a front view of a mobile phone, showing the new design;

FIG. 2 is a back view of the mobile phone;

FIG. 3 is a left view of the mobile phone;

FIG. 4 is a right view of the mobile phone;

FIG. 5 is a top view of the mobile phone;

FIG. 6 is a bottom view of the mobile phone;

FIG. 7 is a top right perspective view of the mobile phone;

FIG. 8 is a bottom left perspective view of the mobile phone;

FIG. 9 is a front view of the mobile phone in a folded and closed state;

FIG. 10 is a back view of the mobile phone in the folded and closed state;

FIG. 11 is a left view of the mobile phone in the folded and closed state;

FIG. 12 is a right view of the mobile phone in the folded and closed state;

FIG. 13 is a top view of the mobile phone in the folded and closed state;

FIG. 14 is a bottom view of the mobile phone in the folded and closed state;

FIG. 15 is a top right perspective view of the mobile phone in the folded and closed state;

FIG. 16 is a bottom left perspective view of the mobile phone in the folded and closed state;

FIG. 17 is a front view of the mobile phone in a partially folded and sitting state;

FIG. 18 is a back view of the mobile phone in the partially folded and sitting state;

FIG. 19 is a left view of the mobile phone in the partially folded and sitting state;

FIG. 20 is a right view of the mobile phone in the partially folded and sitting state;

(Continued)

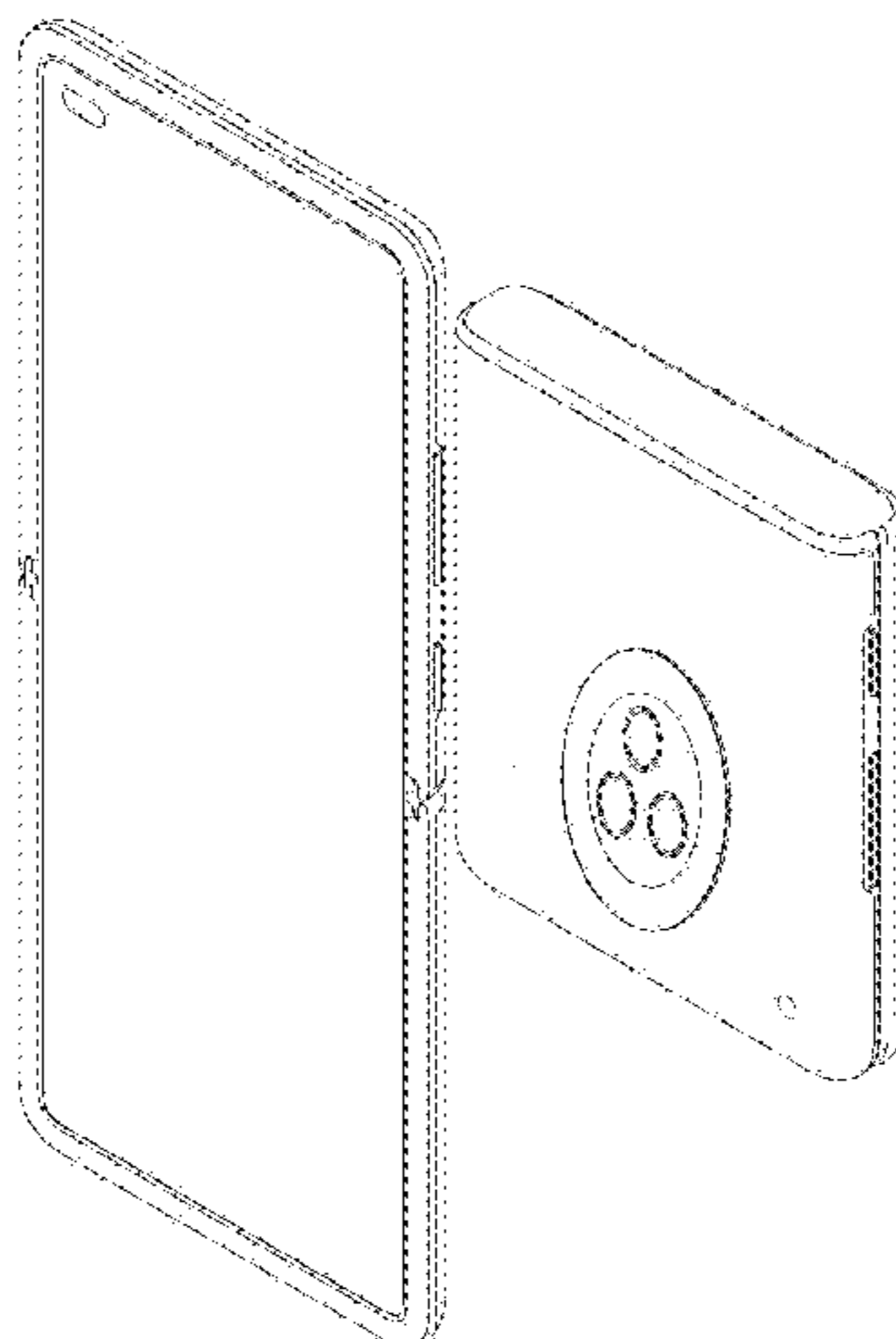


FIG. 21 is a top view of the mobile phone in the partially folded and sitting state;

FIG. 22 is a bottom view of the mobile phone in the partially folded and sitting state;

FIG. 23 is a top right perspective view of the mobile phone in the partially folded and sitting state; and,

FIG. 24 is a bottom left perspective view of the mobile phone in the partially folded and sitting state.

1 Claim, 20 Drawing Sheets

(58) **Field of Classification Search**

CPC ... G06F 1/1652; H04M 1/027; H04M 1/0202; H04M 1/0279; H04M 1/0235; H04M 1/0237; H04M 1/0239; H04M 1/0266; H04M 1/0268; H04M 1/0295

See application file for complete search history.

(56) **References Cited**

U.S. PATENT DOCUMENTS

D544,852	S	*	6/2007	Takamori	D14/138	AB
D573,127	S	*	7/2008	Choi	D14/138	AB
D584,268	S	*	1/2009	Kim	D14/138	AB
D585,409	S	*	1/2009	Kim	D14/138	AB
D590,807	S	*	4/2009	Kim	D14/138	AB

D593,979	S	*	6/2009	Lee	D14/138	AB
D607,430	S	*	1/2010	Song	D14/138	AB
D612,827	S	*	3/2010	Song	D14/138	AB
D633,069	S	*	2/2011	Ryu	D14/138	AB
D751,070	S	*	3/2016	Akana	H04M 1/022	
						D14/344	
D797,070	S	*	9/2017	Lee	H04M 1/022	
						D14/138	AB
D902,900	S	*	11/2020	Seo	G06F 1/1681	
						D14/248	
D905,030	S	*	12/2020	Seo	G06F 1/1616	
						D14/248	
D905,670	S	*	12/2020	Seo	G06F 1/1641	
						D14/248	
D920,313	S	*	5/2021	Seo	D14/248	
D920,314	S	*	5/2021	Seo	D14/248	
D920,315	S	*	5/2021	Seo	D14/248	
D920,316	S	*	5/2021	Seo	D14/248	
2020/0409429	A1	*	12/2020	Hsu	G06F 1/1616	
2021/0004049	A1	*	1/2021	Park	G06F 1/1641	
2021/0067614	A1	*	3/2021	Cheng	G06F 1/1681	
2021/0116975	A1	*	4/2021	Moon	H04M 1/022	
2021/0294383	A1	*	9/2021	Kim	H04M 1/022	

OTHER PUBLICATIONS

Huawei P50 Pocket—Full phone specifications, announced Dec. 23, 2021 [online], retrieved Mar. 9, 2022, available at URL: https://www.gsmarena.com/huawei_p50_pocket-11280.php (Year: 2021).*

* cited by examiner

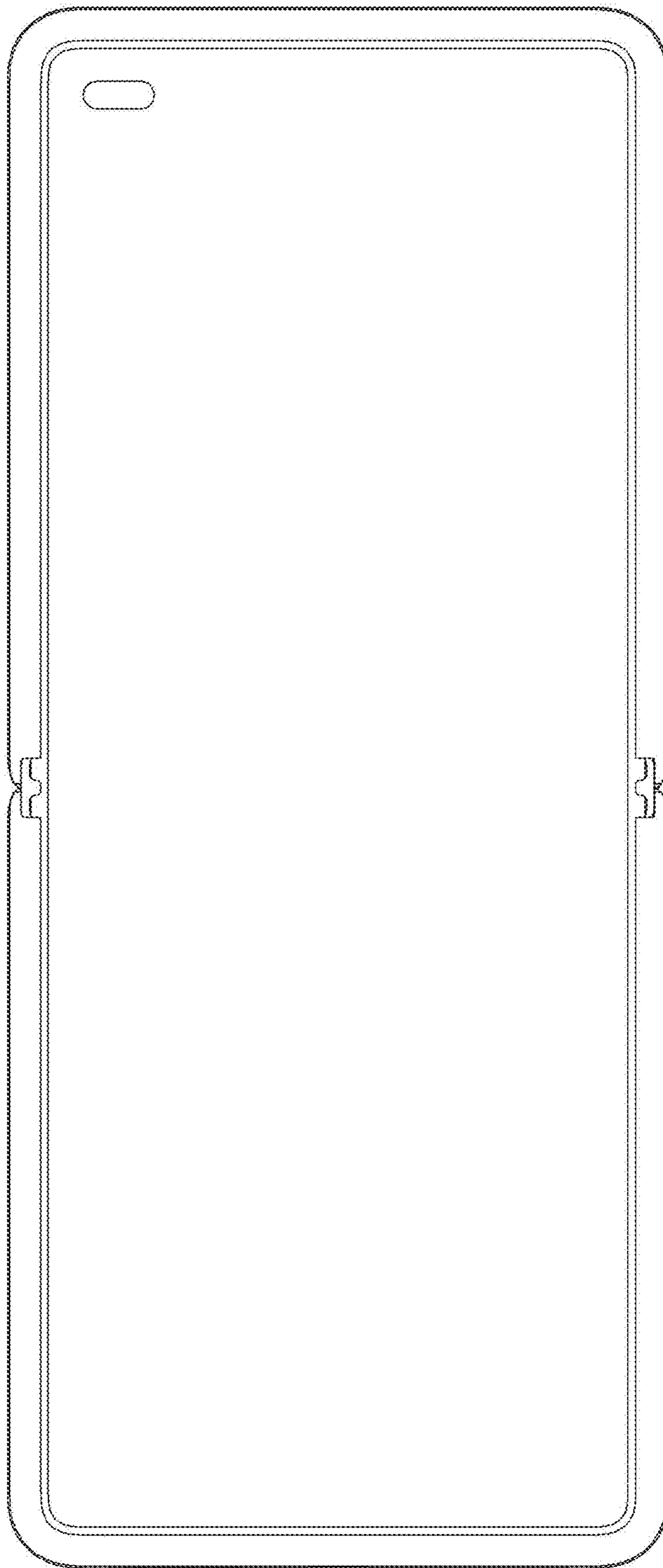


FIG. 1

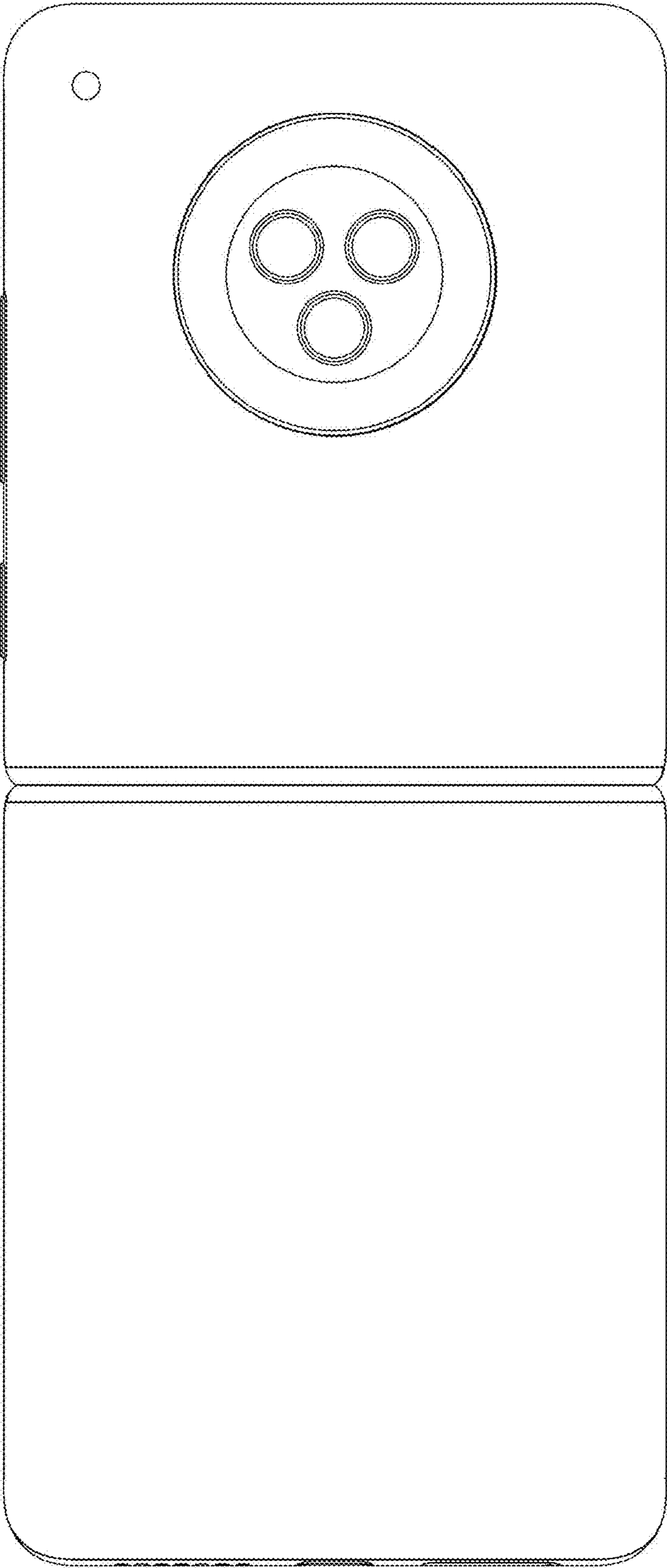


FIG. 2

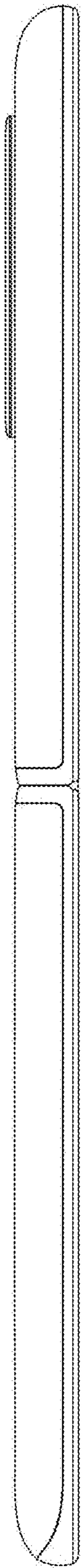


FIG. 3

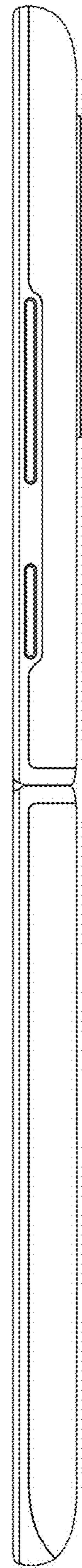


FIG. 4

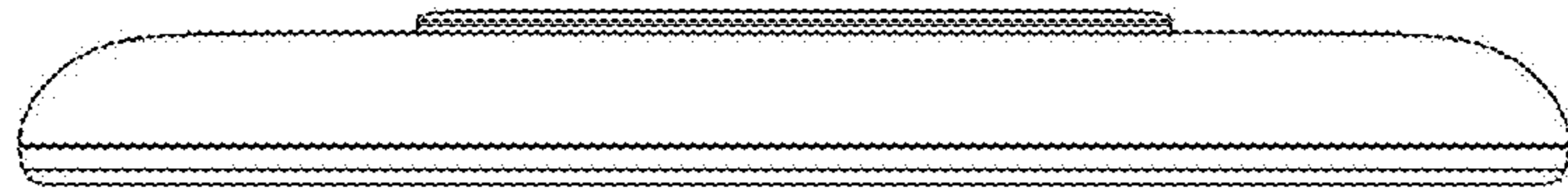


FIG. 5

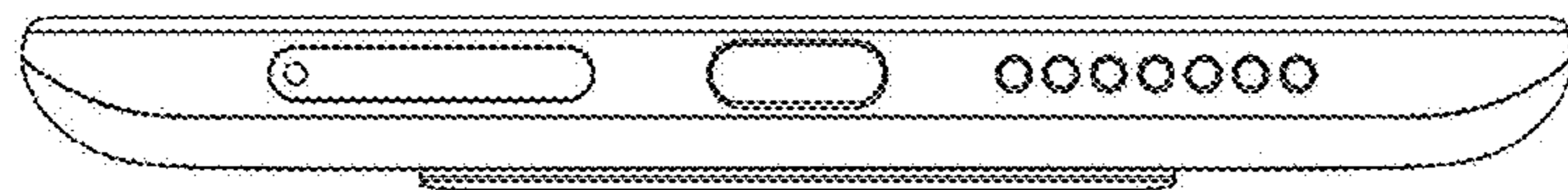


FIG. 6

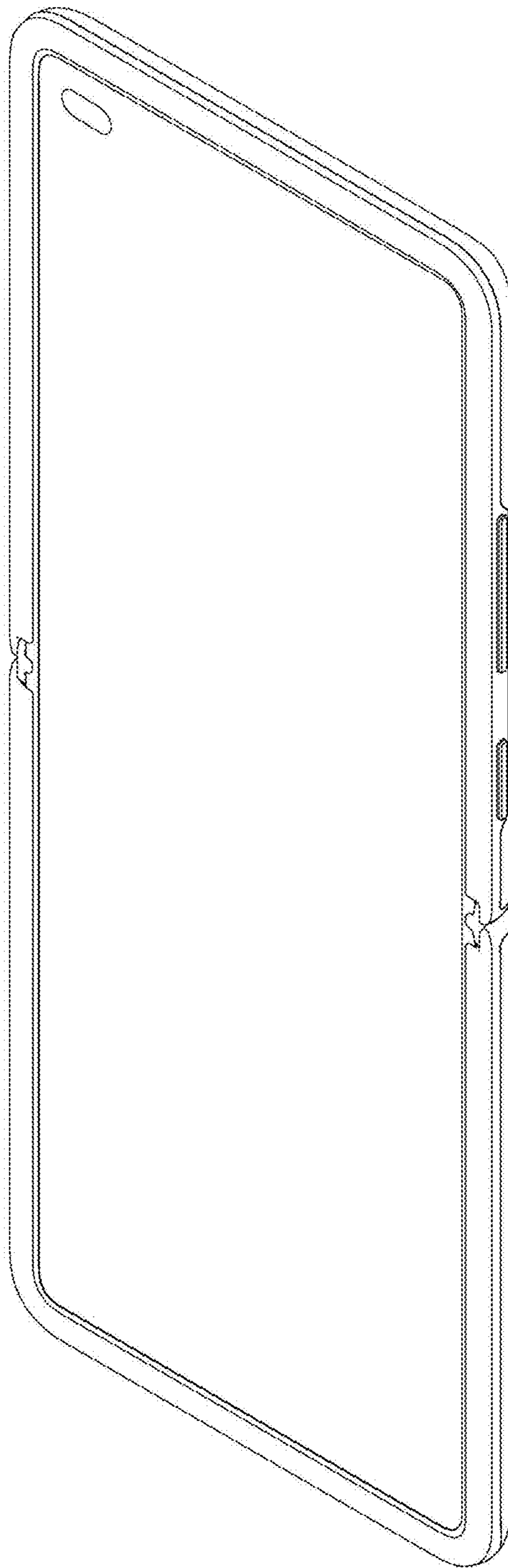


FIG. 7

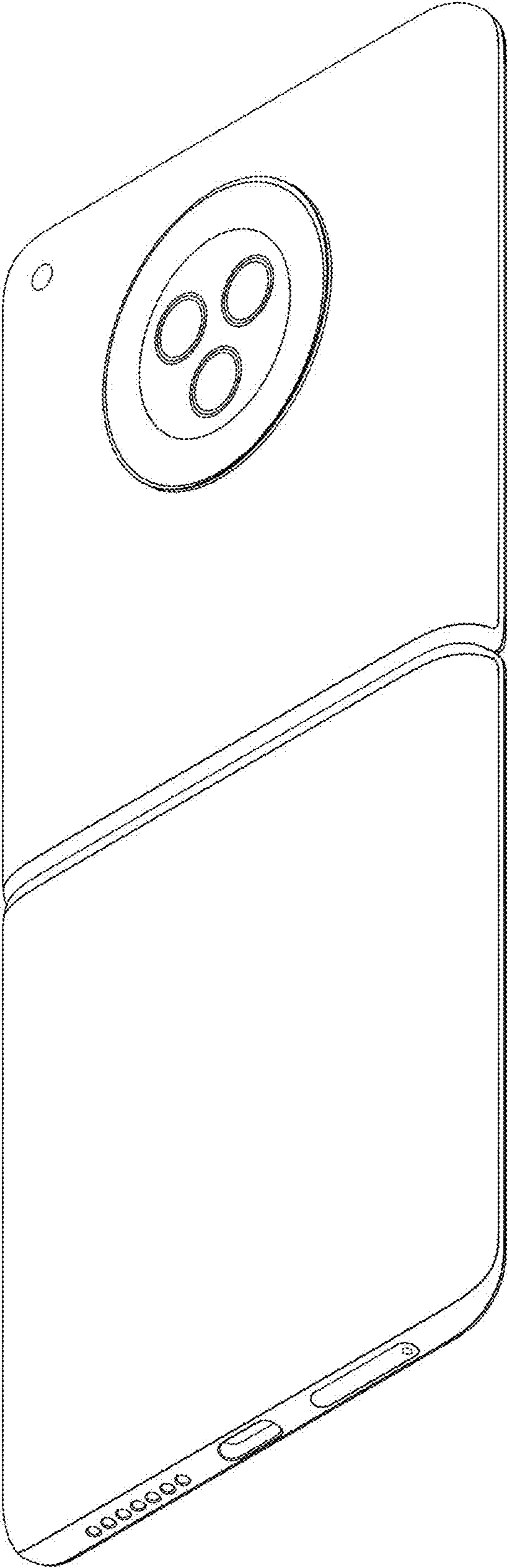


FIG. 8

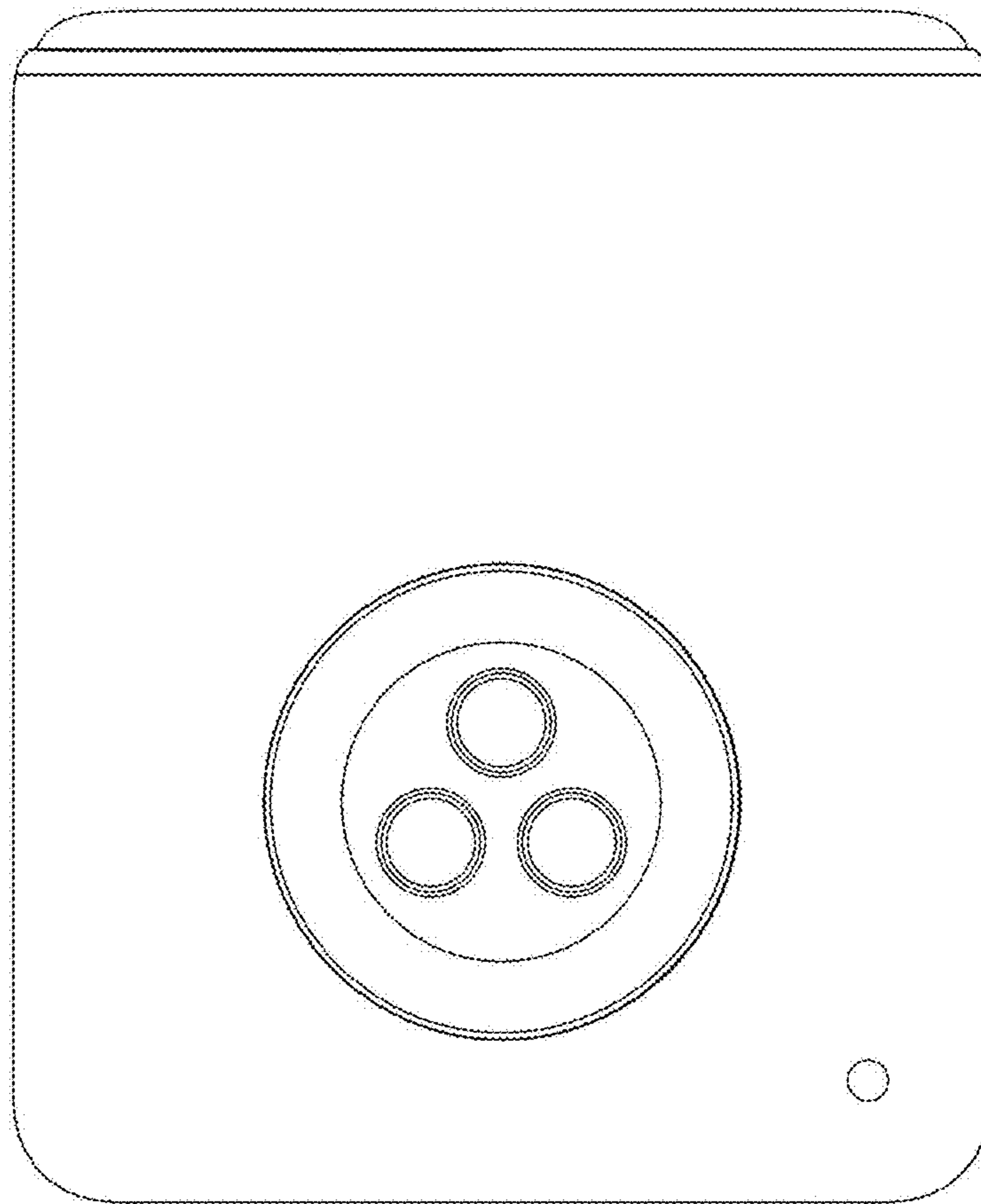


FIG. 9



FIG. 10

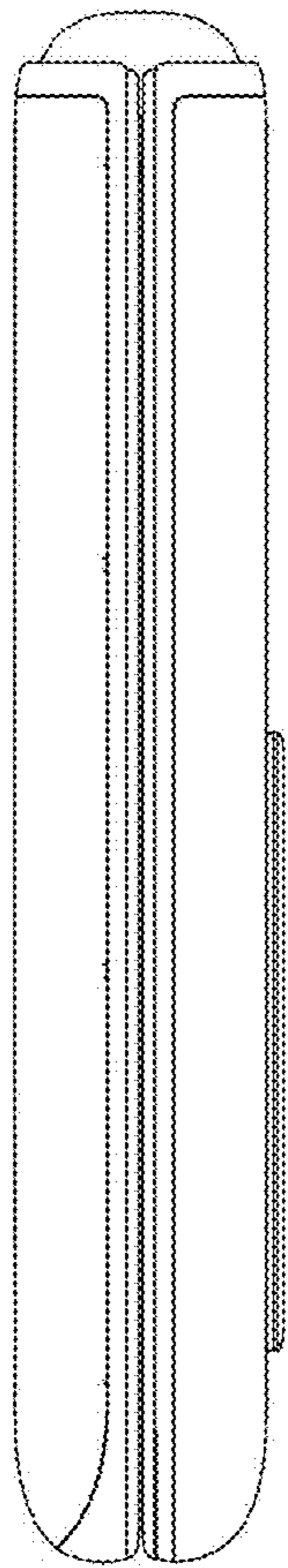


FIG. 11

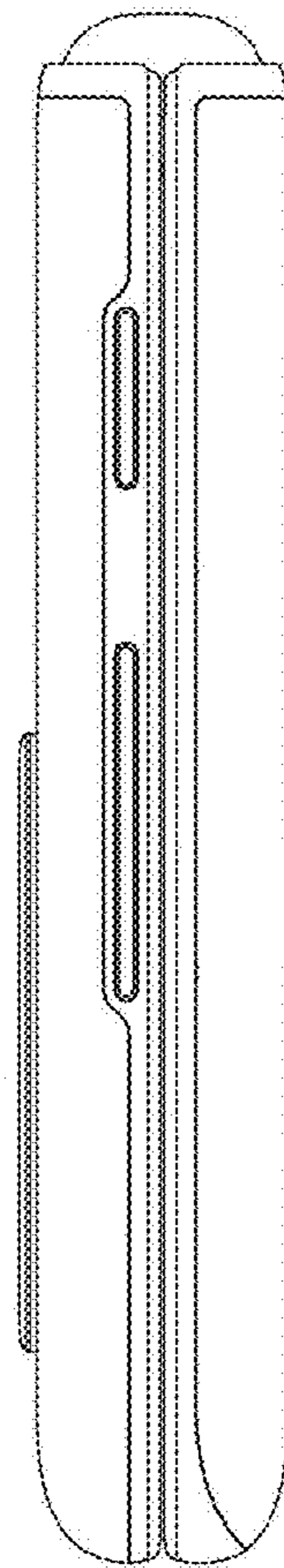


FIG. 12

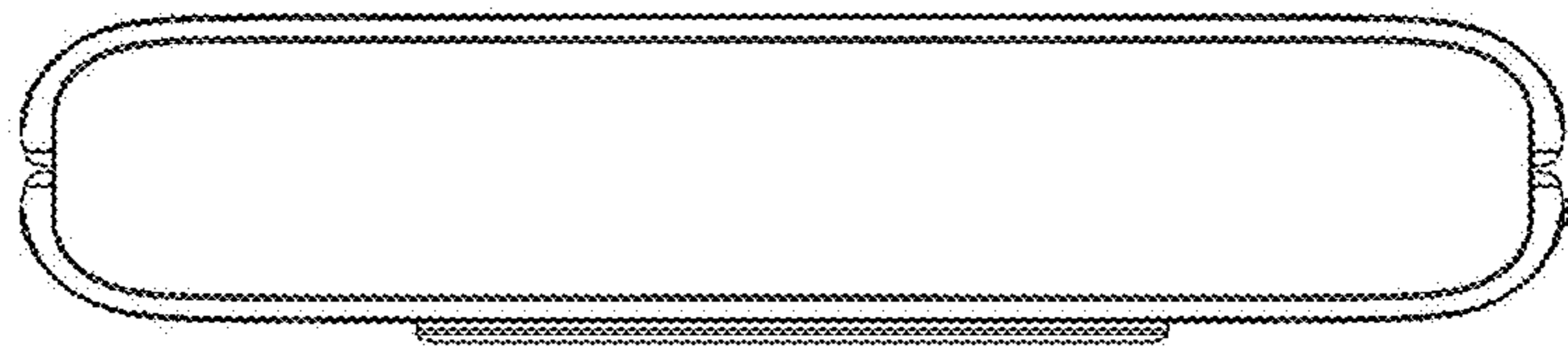


FIG. 13

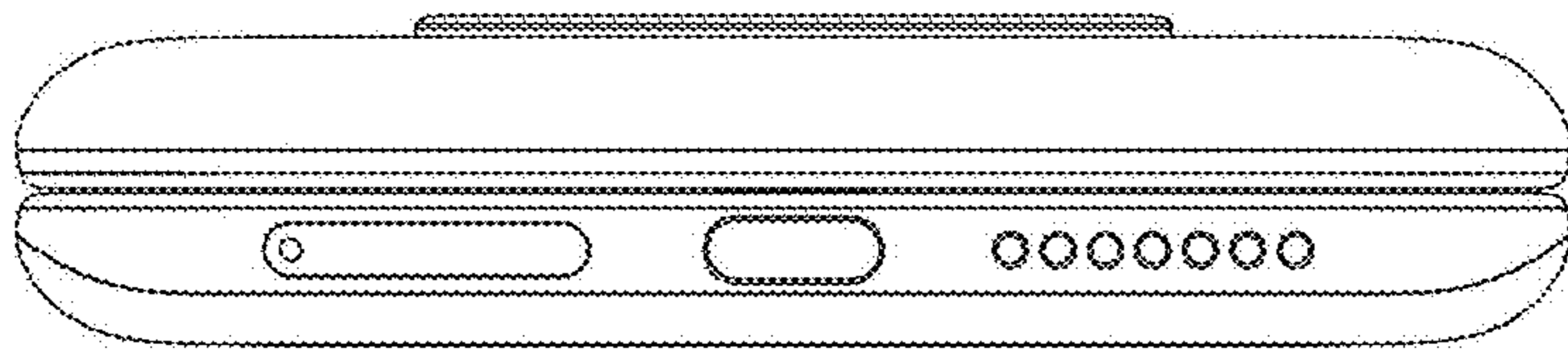


FIG. 14

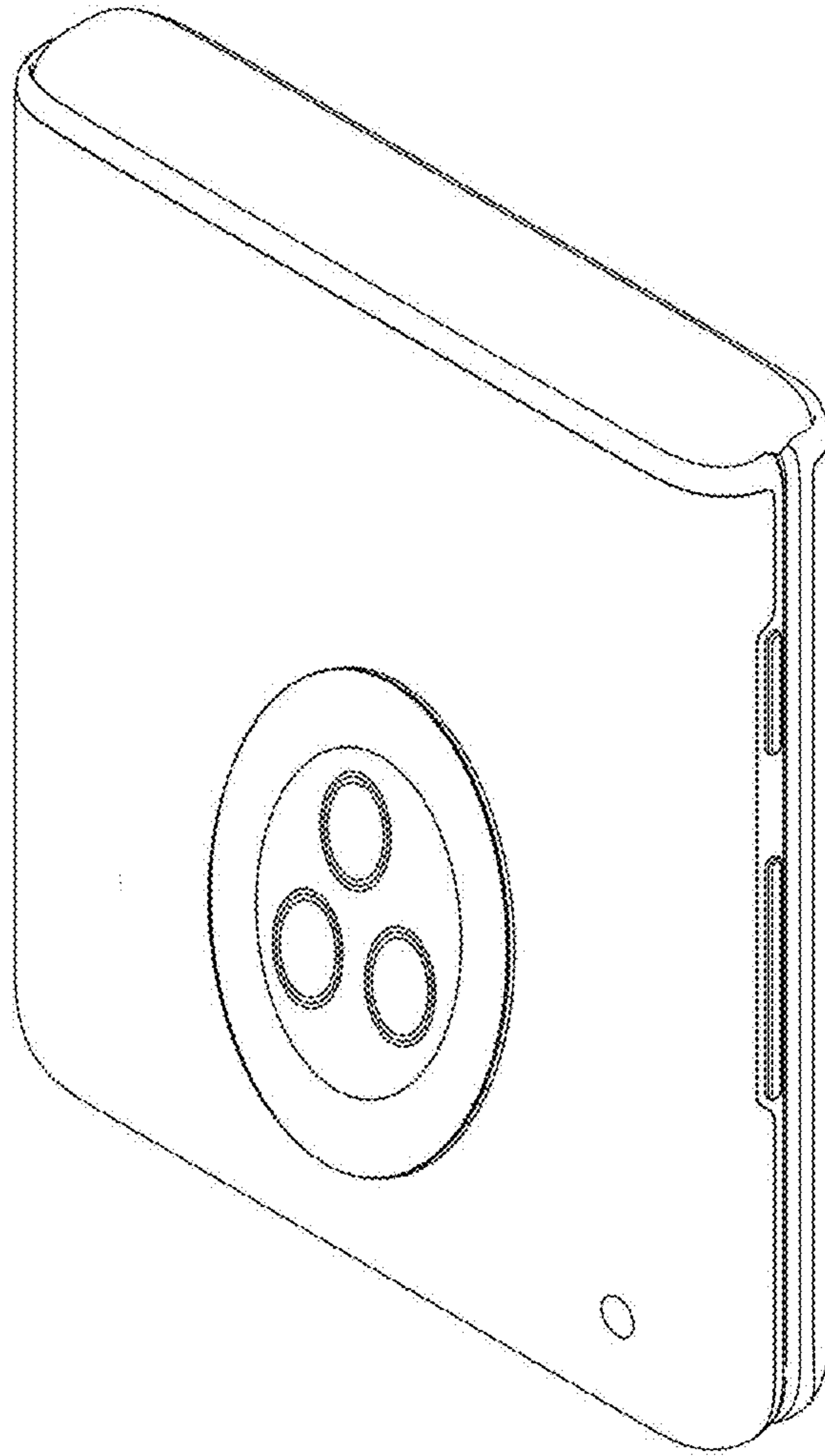


FIG. 15

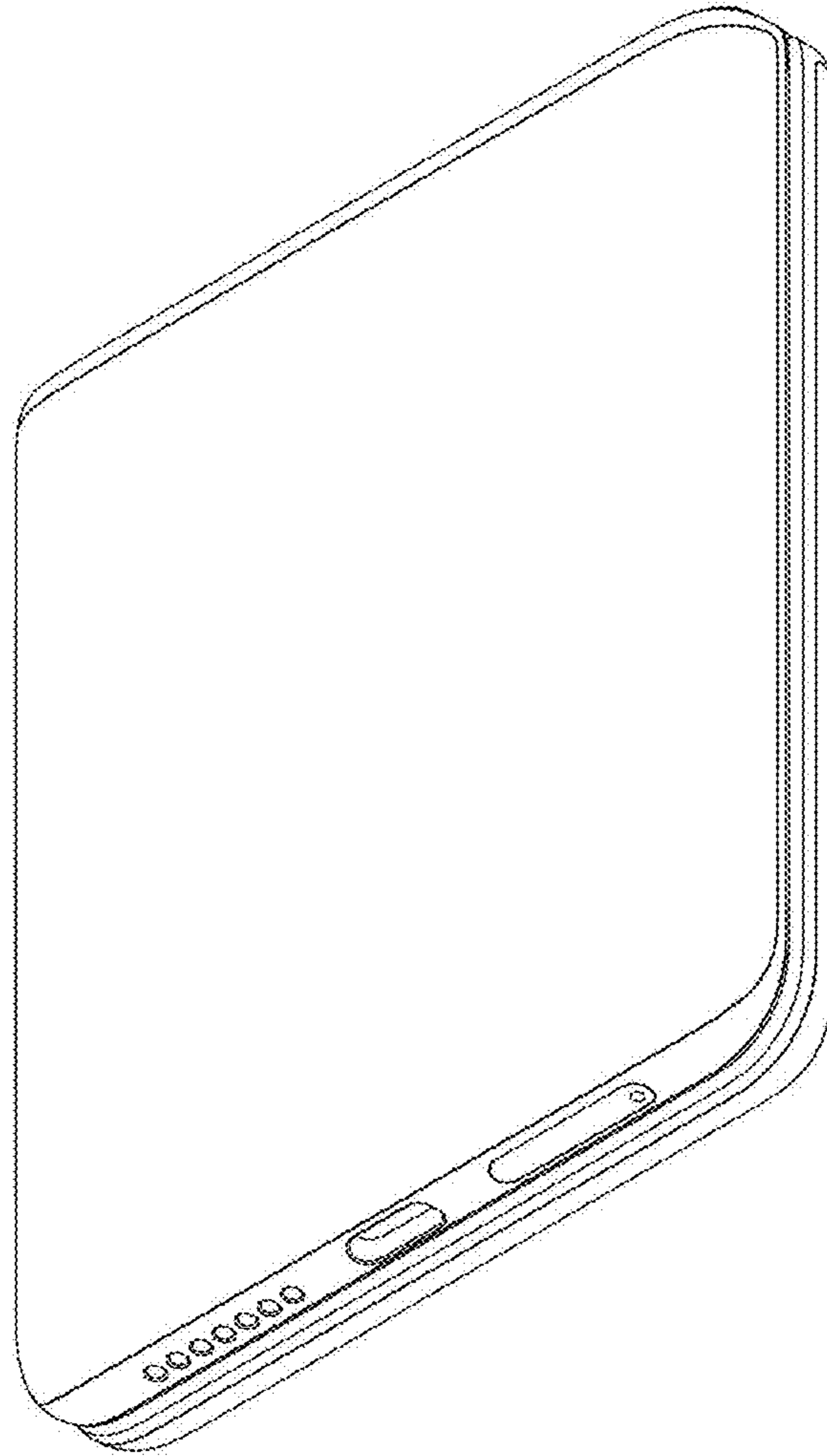


FIG. 16

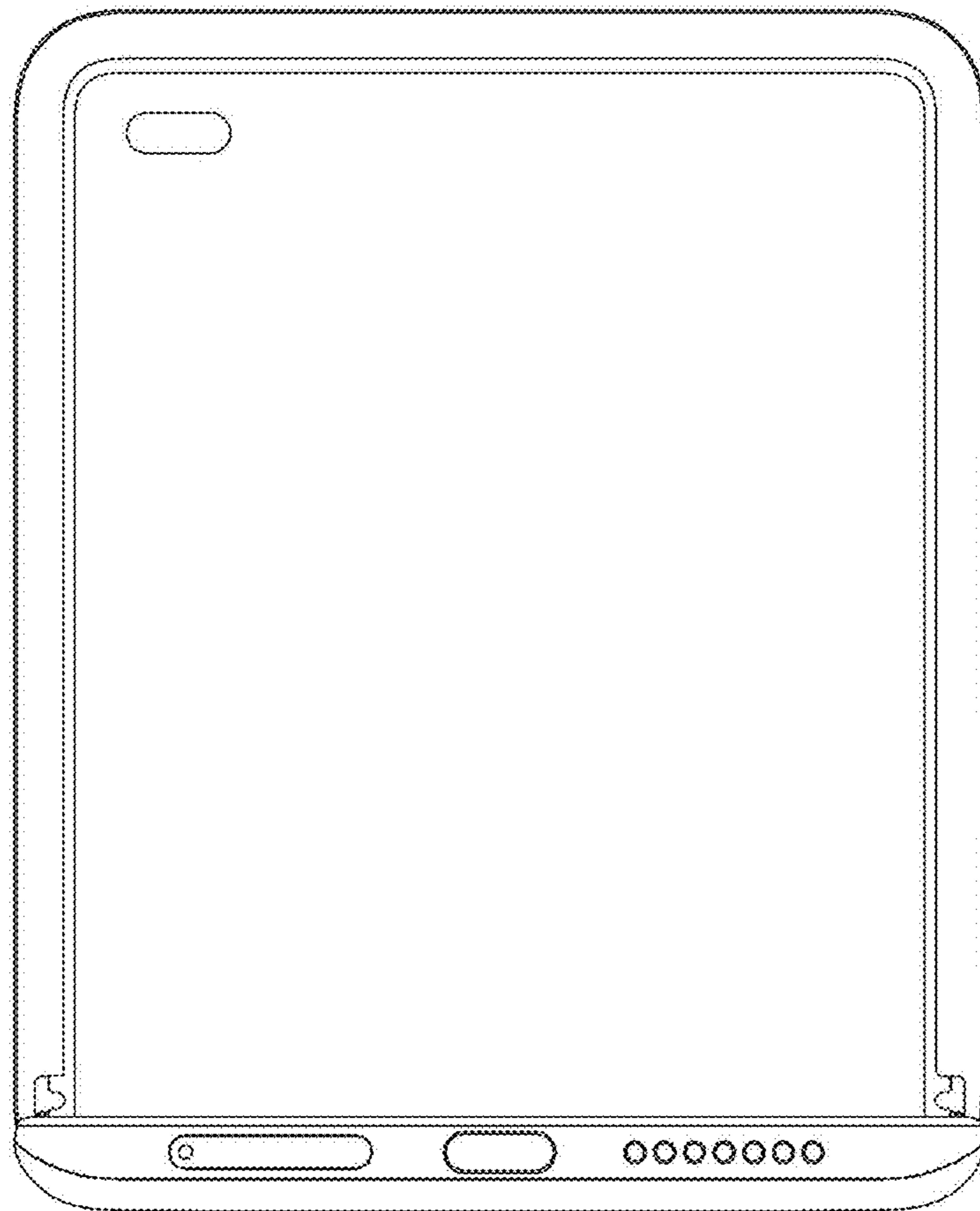


FIG. 17

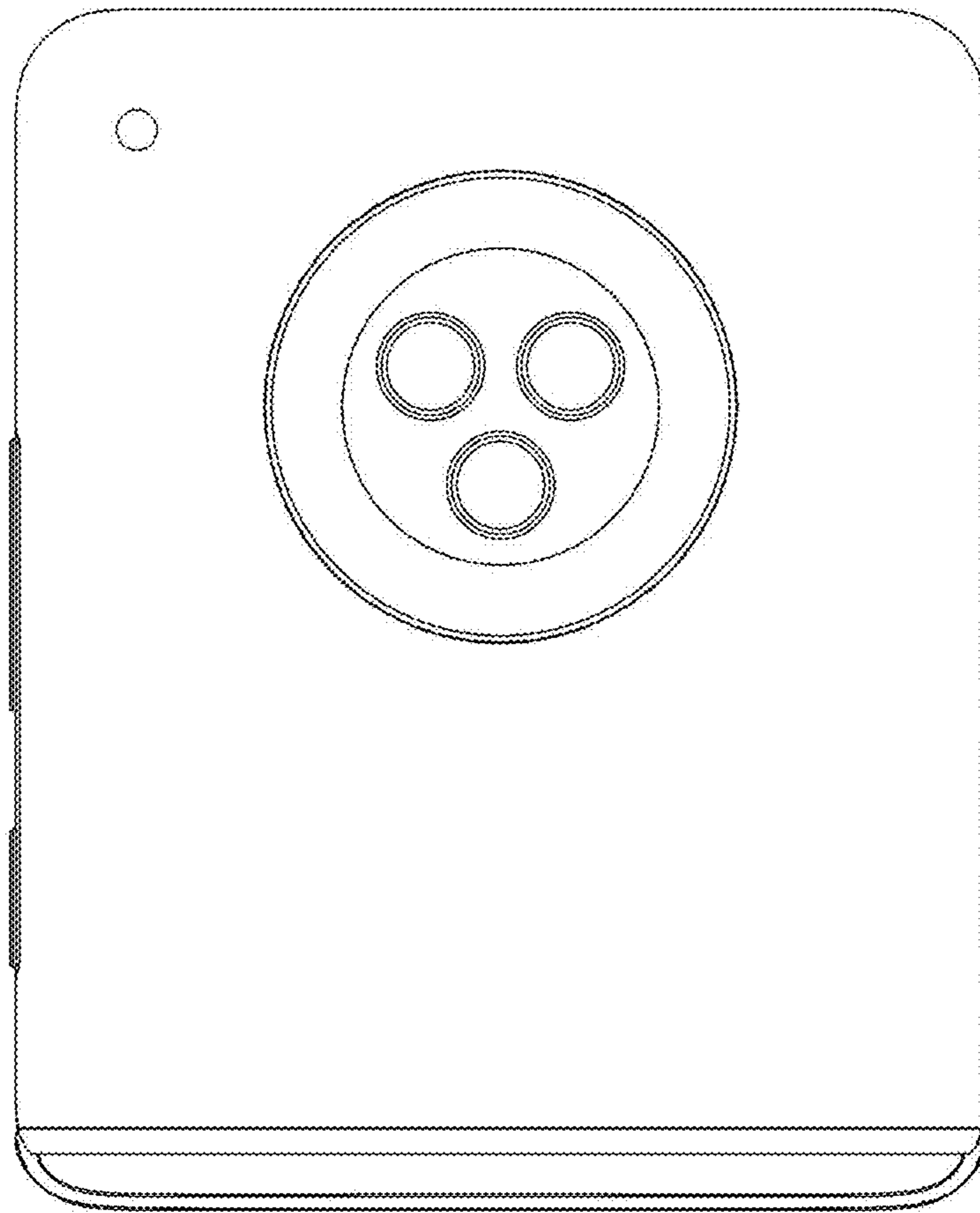


FIG. 18

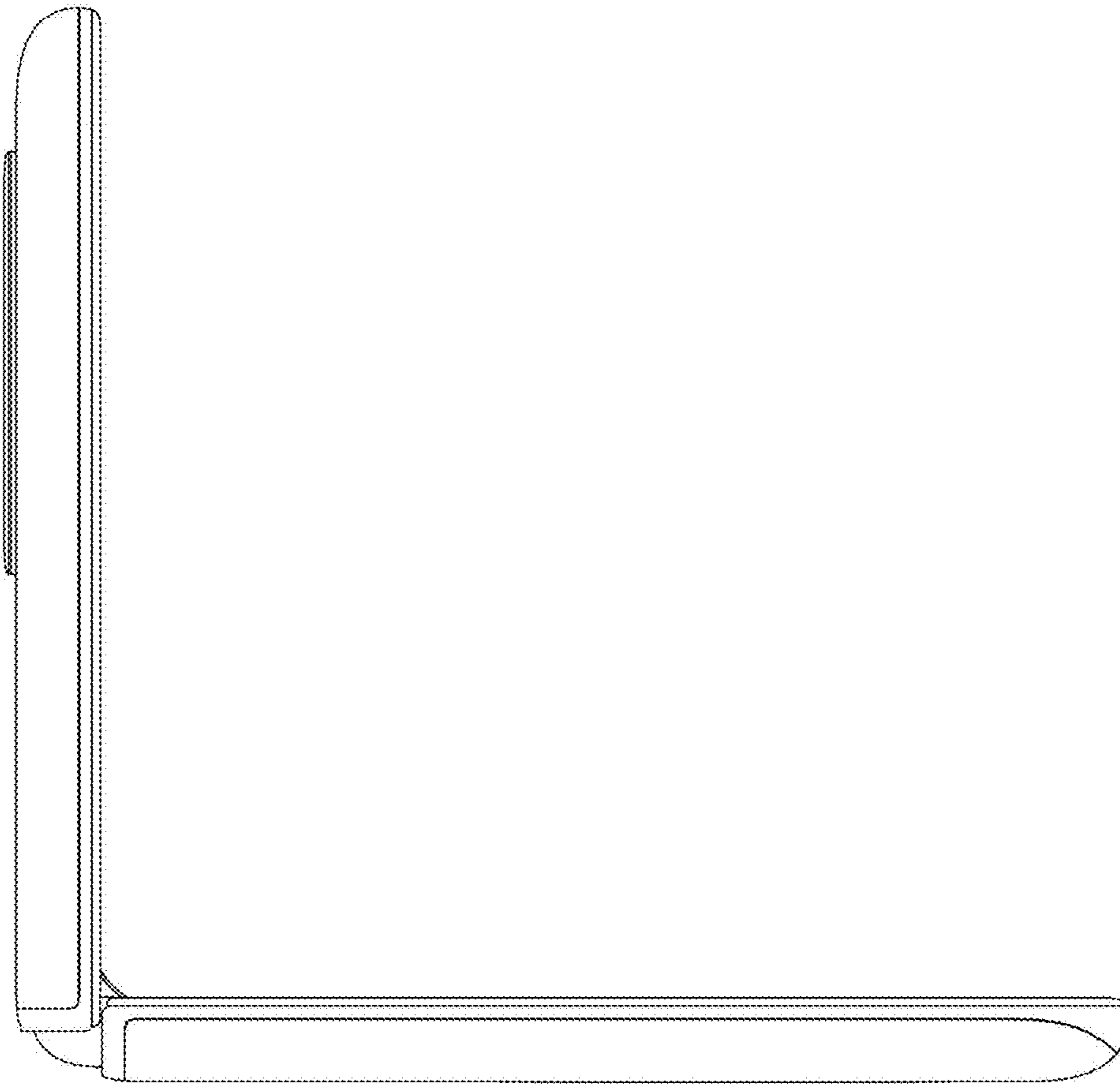


FIG. 19

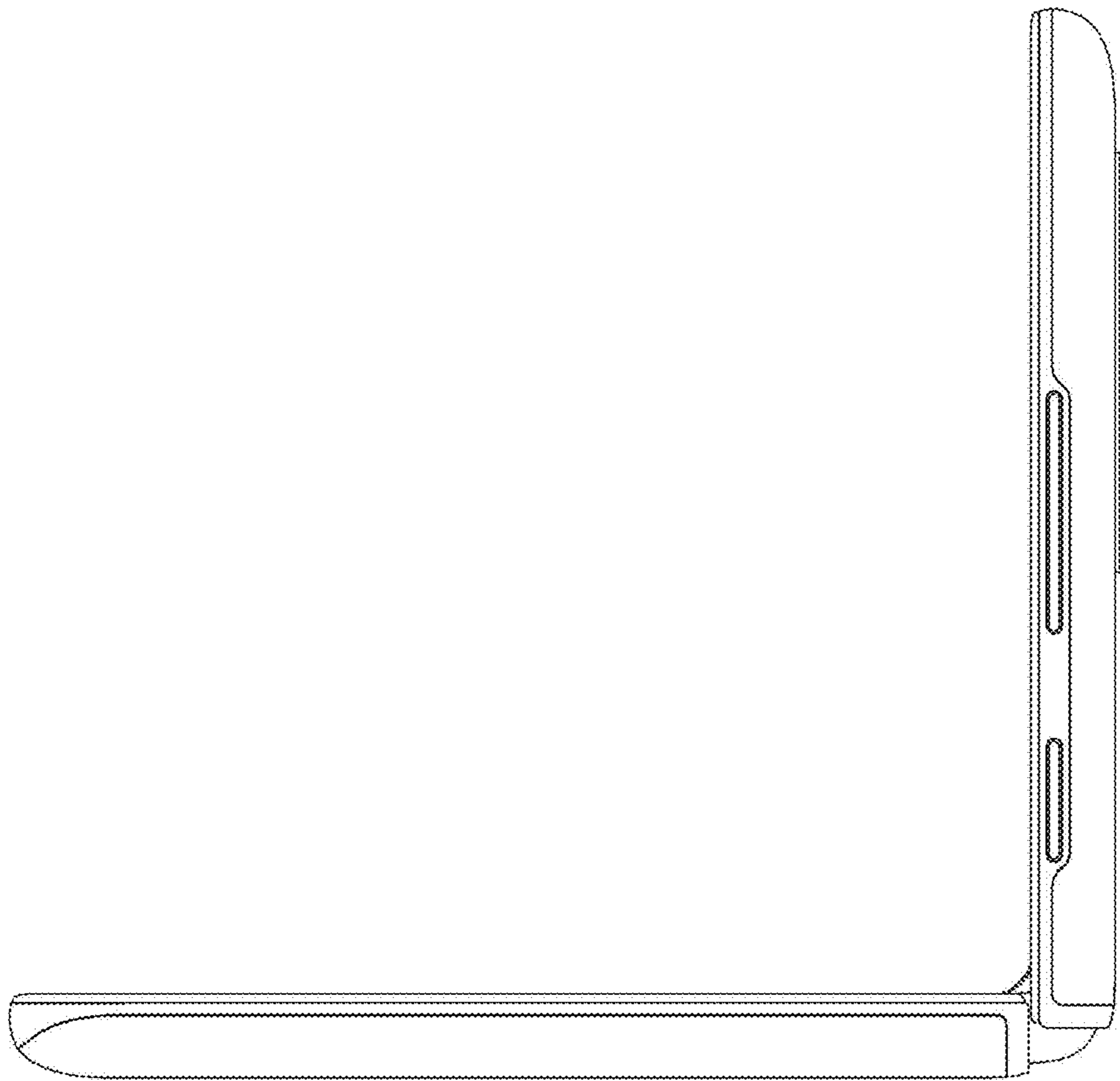


FIG. 20

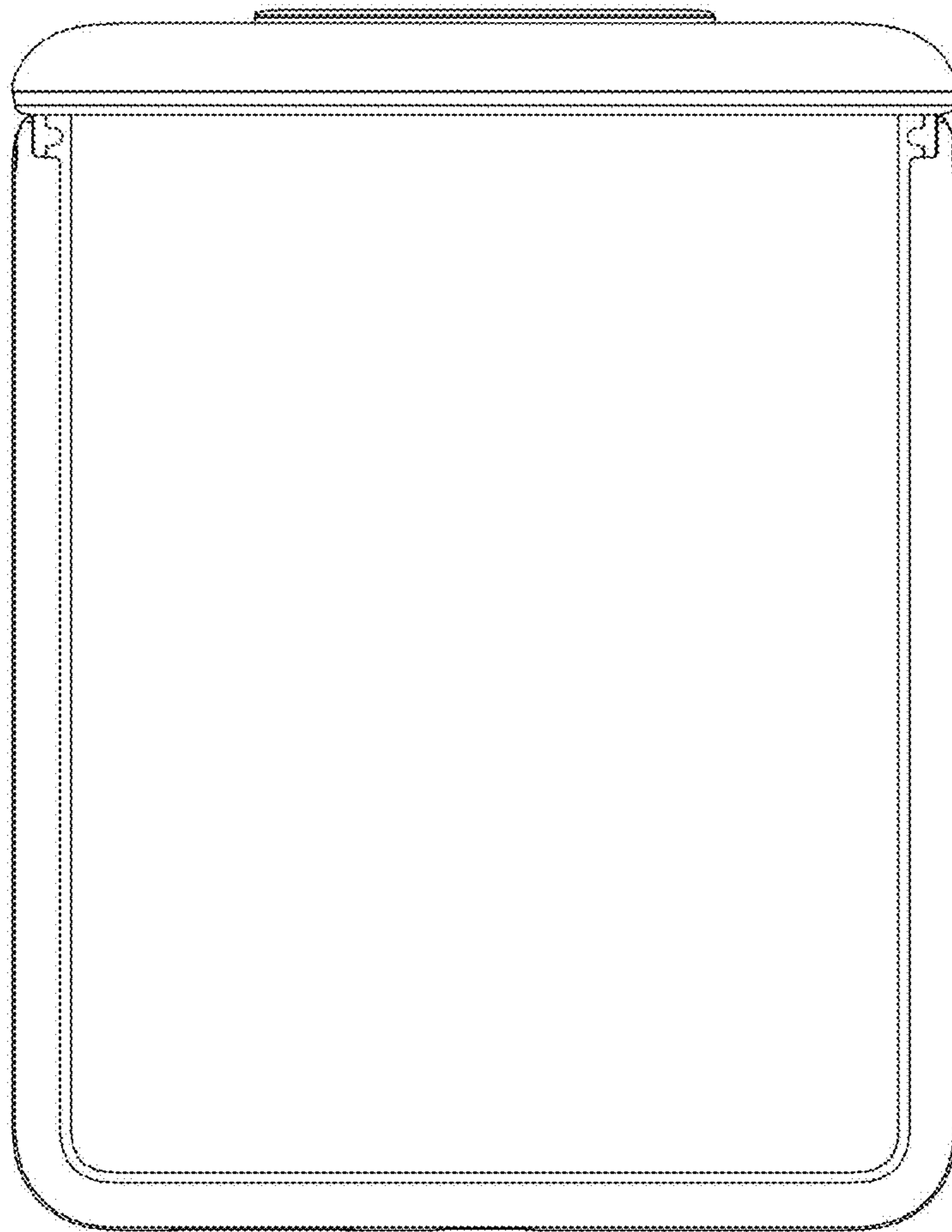


FIG. 21

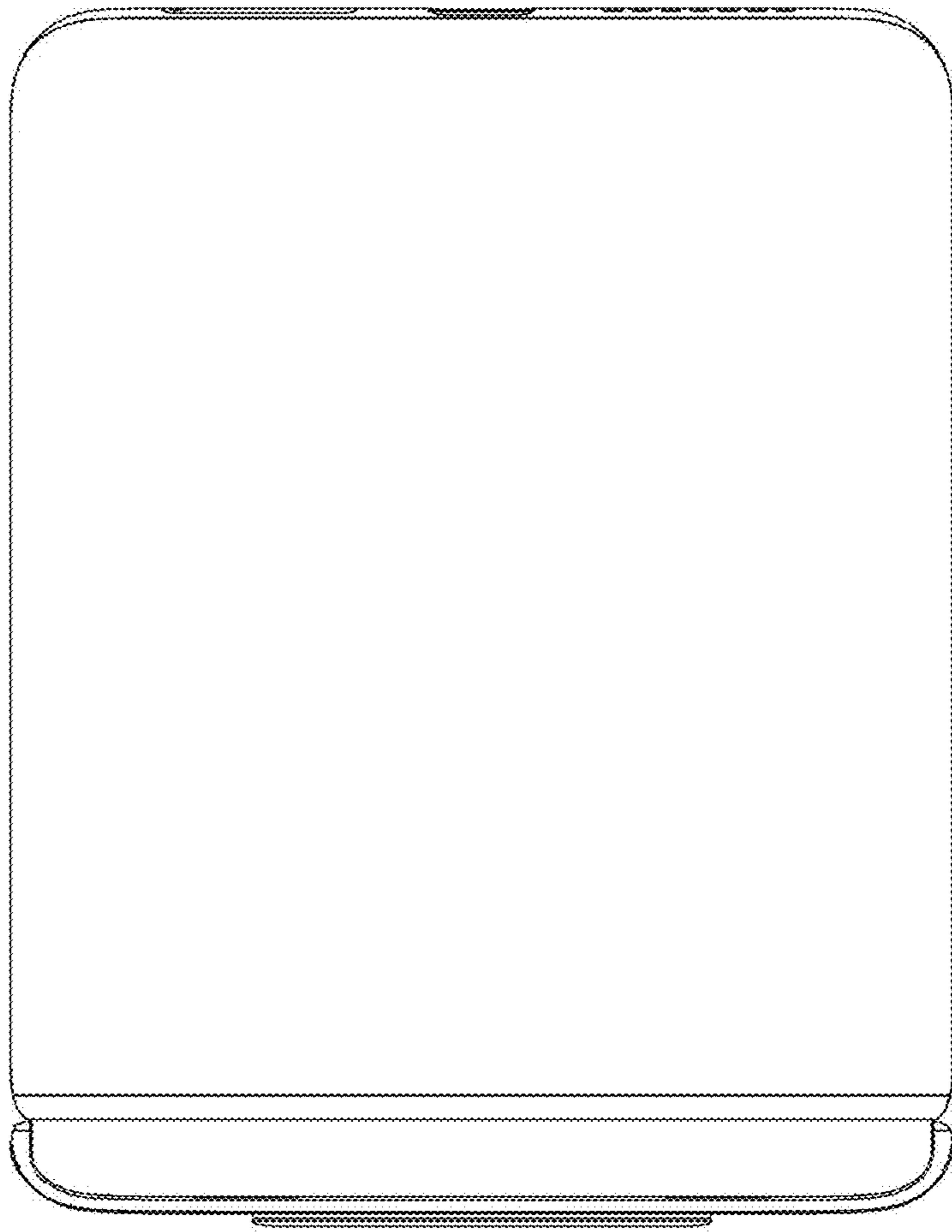


FIG. 22

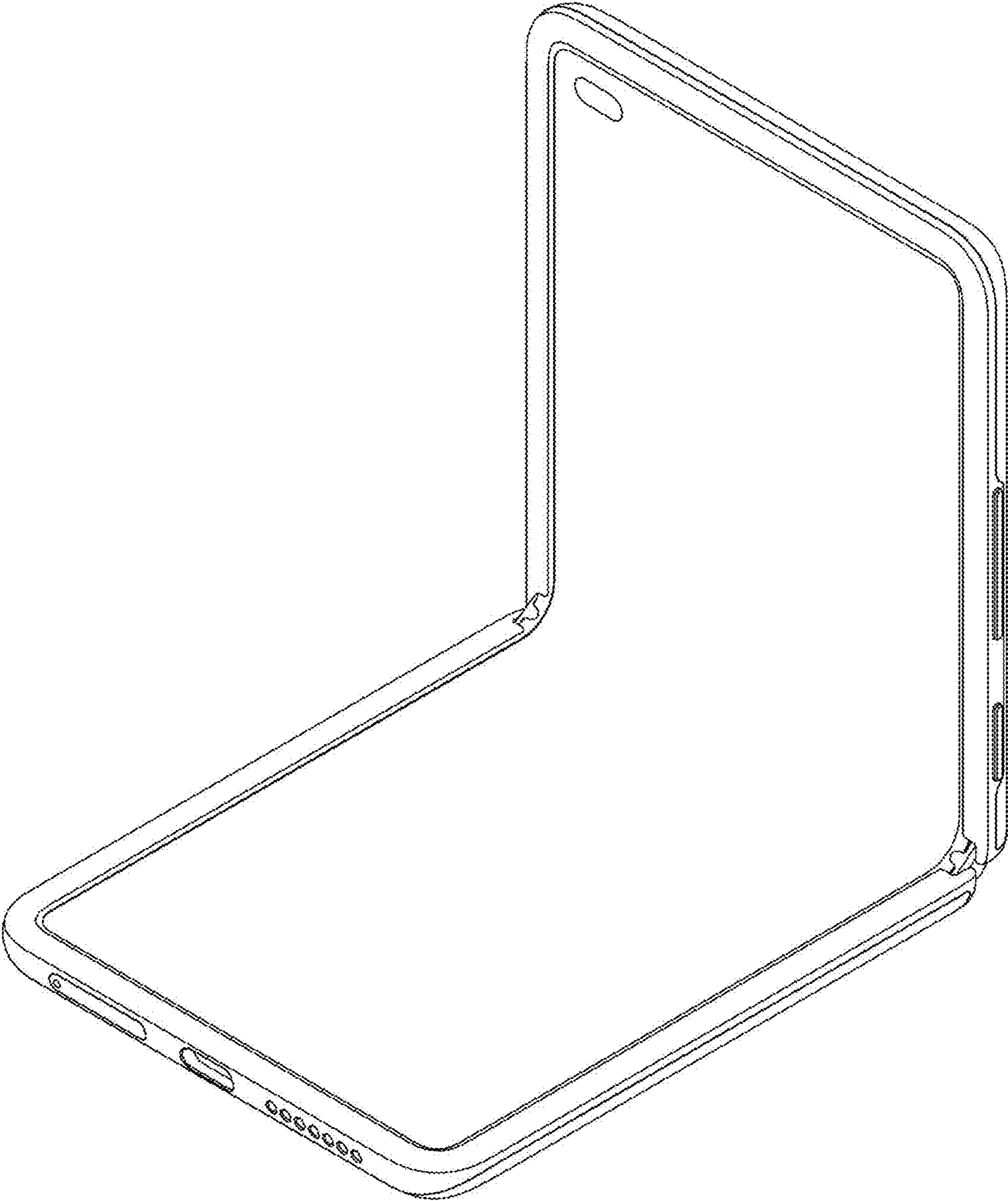


FIG. 23

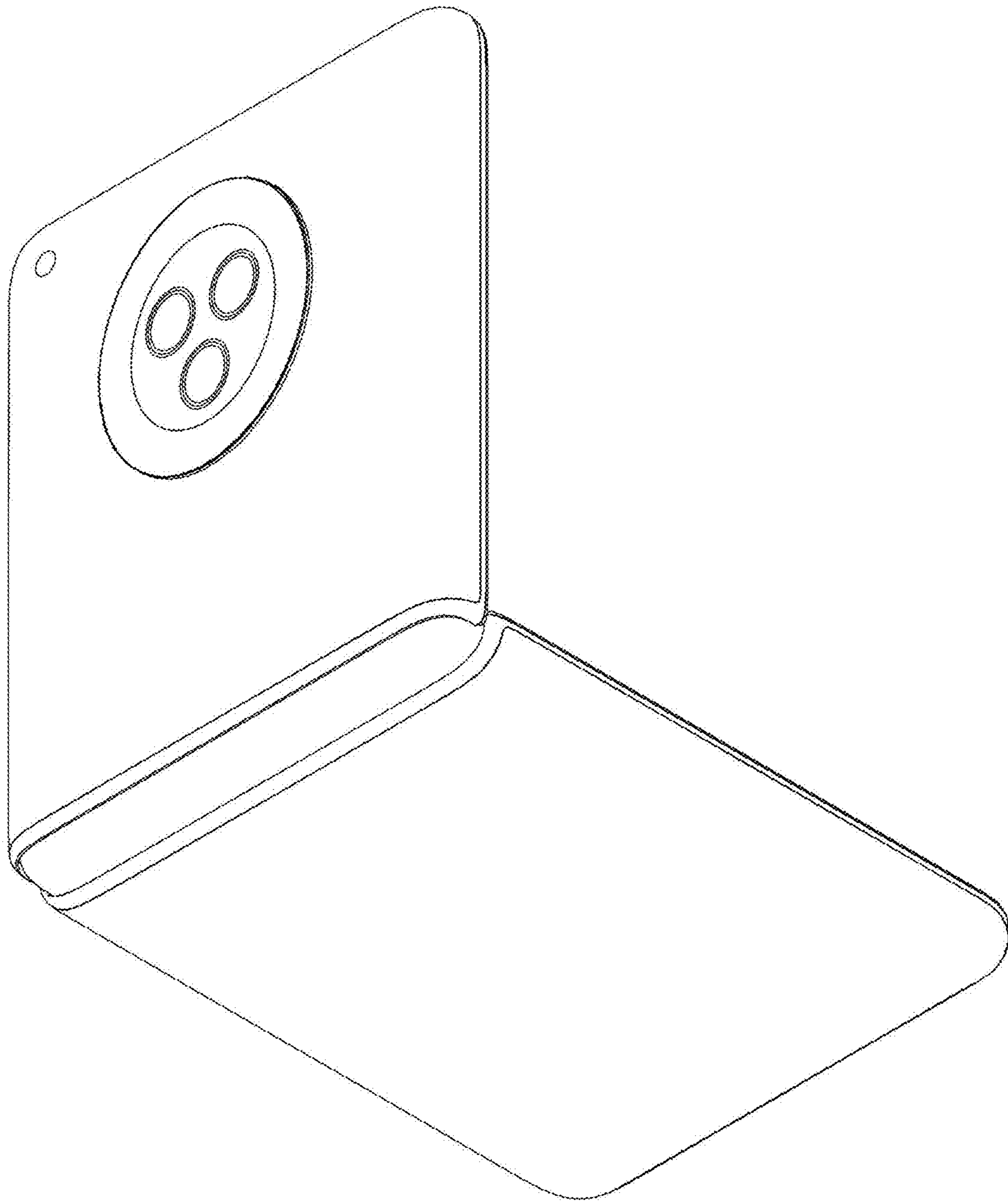


FIG. 24