



US00D964952S

(12) **United States Design Patent** (10) **Patent No.:** **US D964,952 S**
Xiao (45) **Date of Patent:** **** Sep. 27, 2022**

(54) **INTERPHONE**

(71) Applicant: **Qing Xiao**, Huizhou (CN)

(72) Inventor: **Qing Xiao**, Huizhou (CN)

(**) Term: **15 Years**

(21) Appl. No.: **29/790,646**

(22) Filed: **Dec. 6, 2021**

(51) **LOC (13) Cl.** **14-03**

(52) **U.S. Cl.**
USPC **D14/137**

(58) **Field of Classification Search**
USPC D14/137, 138 R, 138 AA, 138 AD;
D10/104.1
CPC .. H04B 1/3833; H04B 1/3827; H04B 1/3855;
H04B 2001/3861; H04M 1/0202; H04M
1/03; H04M 1/035

See application file for complete search history.

(56) **References Cited**

U.S. PATENT DOCUMENTS

D395,882 S *	7/1998	Oross	D14/137
D433,395 S *	11/2000	Wong	D14/137
D433,396 S *	11/2000	Wong	D14/137
D446,195 S *	8/2001	Chamberlain	D14/137
D446,780 S *	8/2001	Sedan	D14/137
D452,684 S *	1/2002	Sedan	D14/137
D576,128 S *	9/2008	Tran	D14/137
D632,269 S *	2/2011	Garra	D14/137

D686,184 S	7/2013	Takahata et al.	
D761,752 S	7/2016	Takahata	
D844,582 S	4/2019	Takahata	
D881,148 S *	4/2020	Wang	D14/137
D898,307 S *	10/2020	Yang	D10/104.1
D931,557 S *	9/2021	Xie	D10/104.1
D951,891 S *	5/2022	Wang	D14/137
2004/0051497 A1 *	3/2004	Richards	H02J 7/0024 320/103

* cited by examiner

Primary Examiner — Bridget L Eland

(74) *Attorney, Agent, or Firm* — Zhihua Han

(57) **CLAIM**

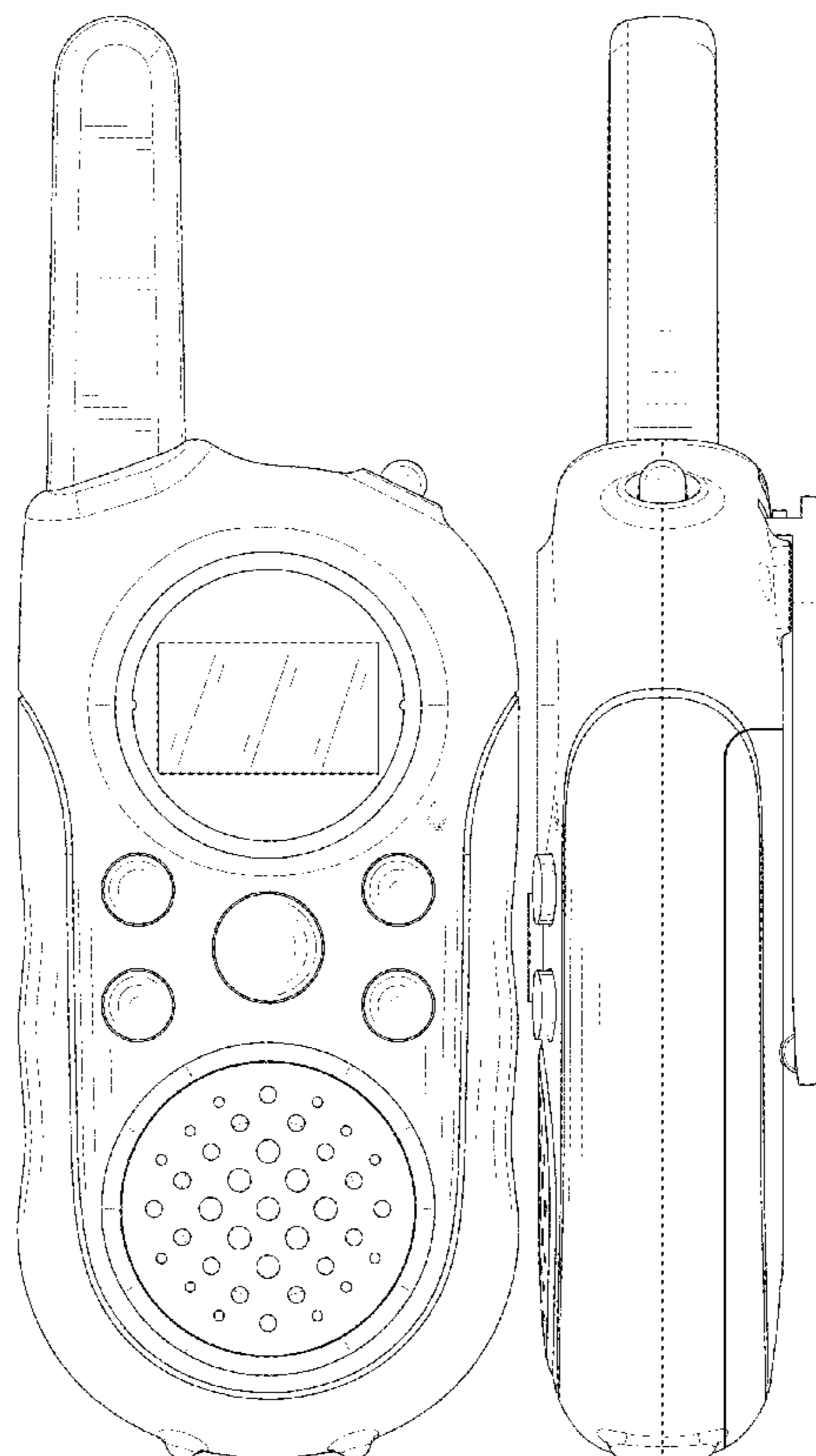
The ornamental design for an interphone, as shown and described.

DESCRIPTION

FIG. 1 is a first perspective view of an interphone showing my new design;
FIG. 2 is a second perspective view thereof;
FIG. 3 is a front view thereof;
FIG. 4 is a back view thereof;
FIG. 5 is a left side view thereof;
FIG. 6 is a right side view thereof;
FIG. 7 is a top view thereof; and,
FIG. 8 is a bottom view thereof.

The broken lines shown in the drawings depict portions of the interphone in which the design is embodied that form no part of the claimed design.

1 Claim, 8 Drawing Sheets



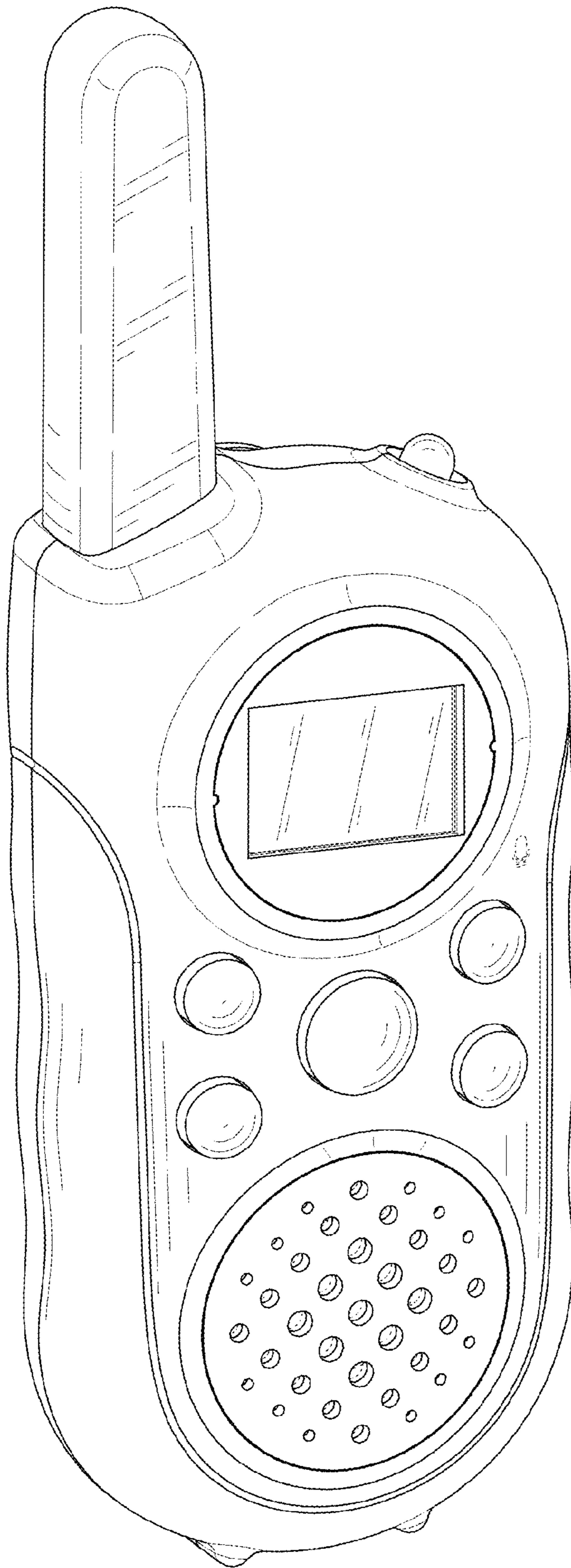


FIG. 1

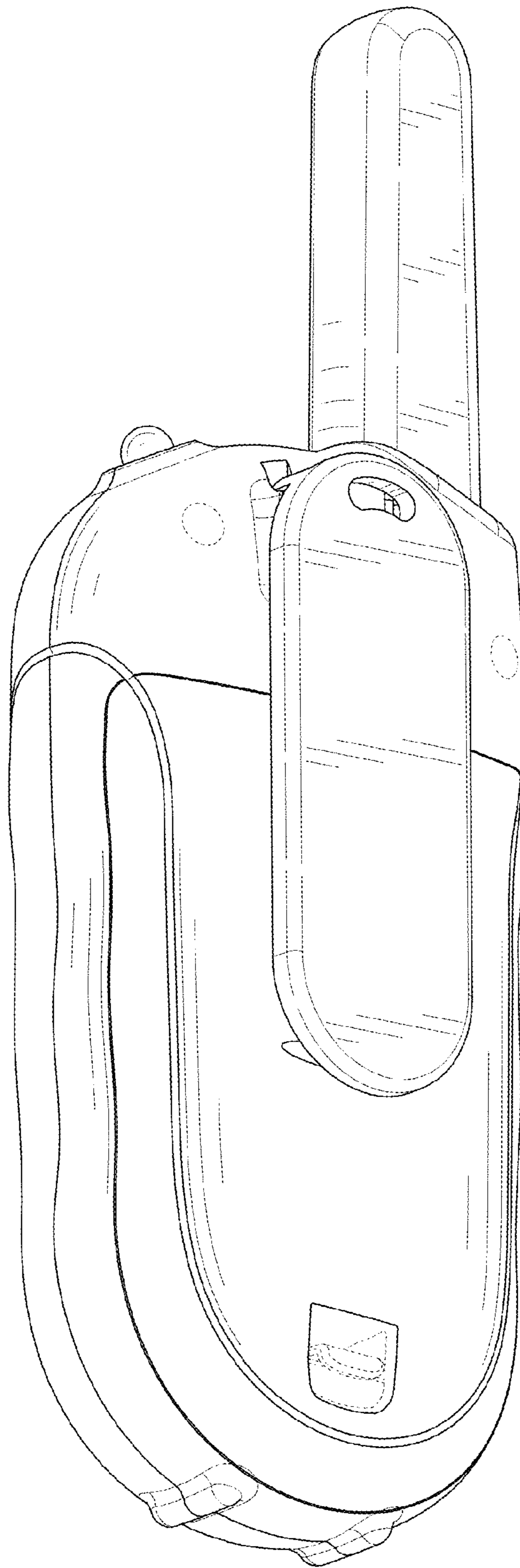


FIG. 2

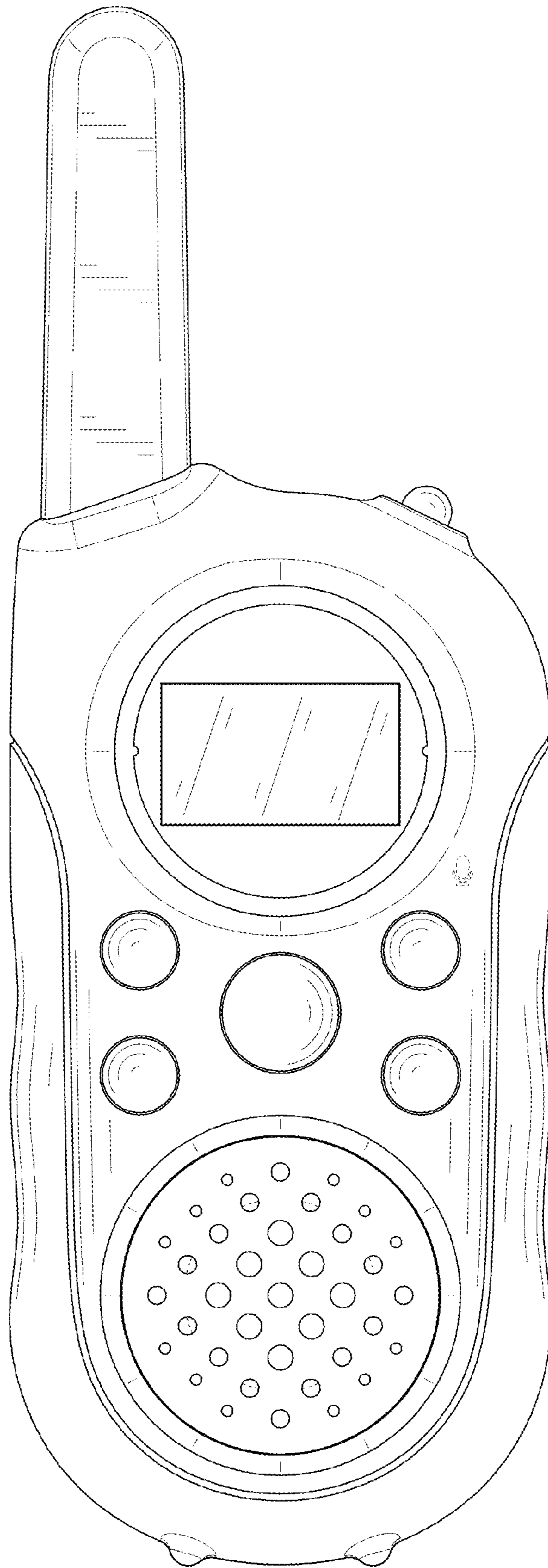


FIG. 3

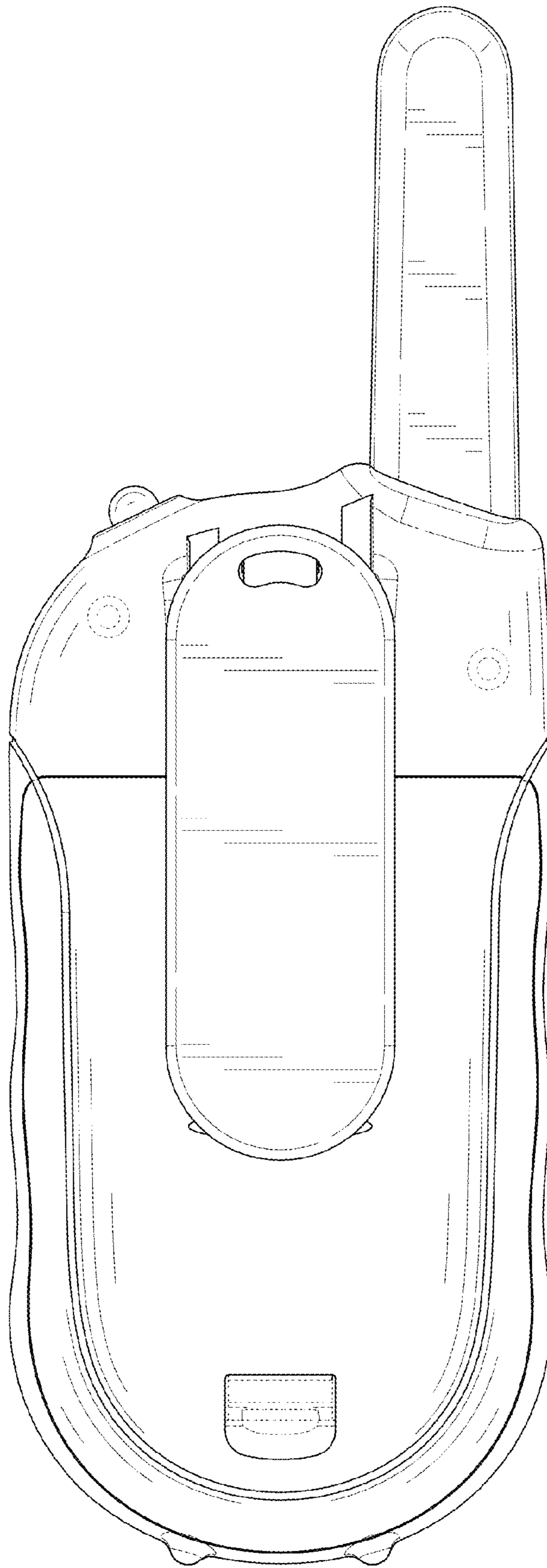


FIG. 4

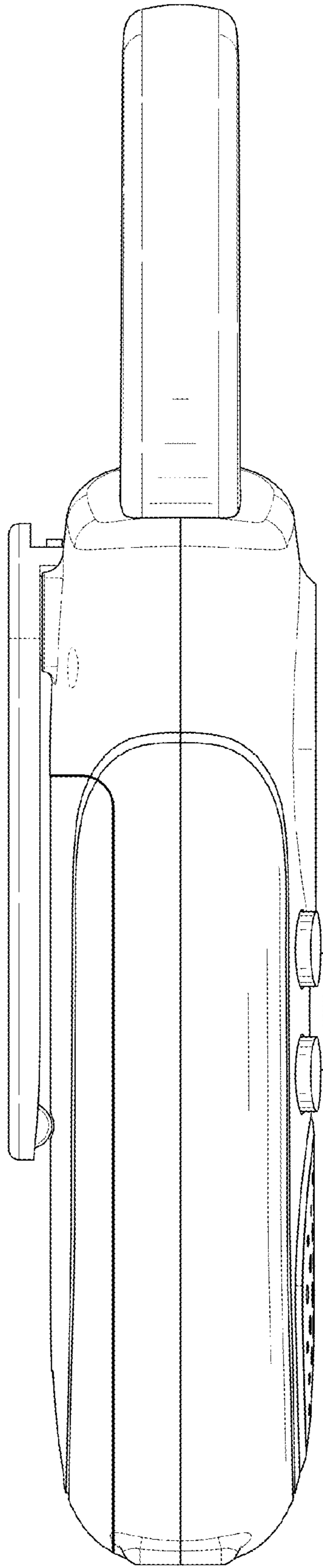


FIG. 5

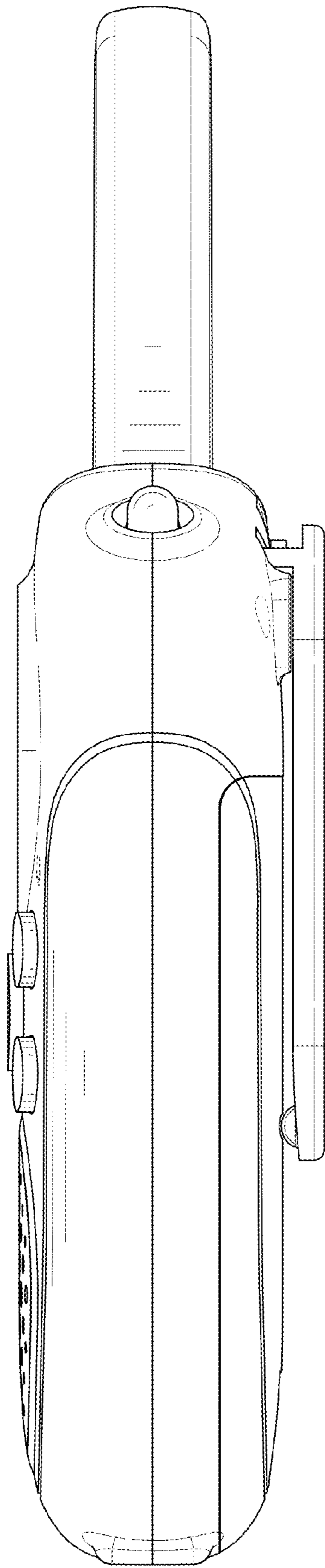


FIG. 6

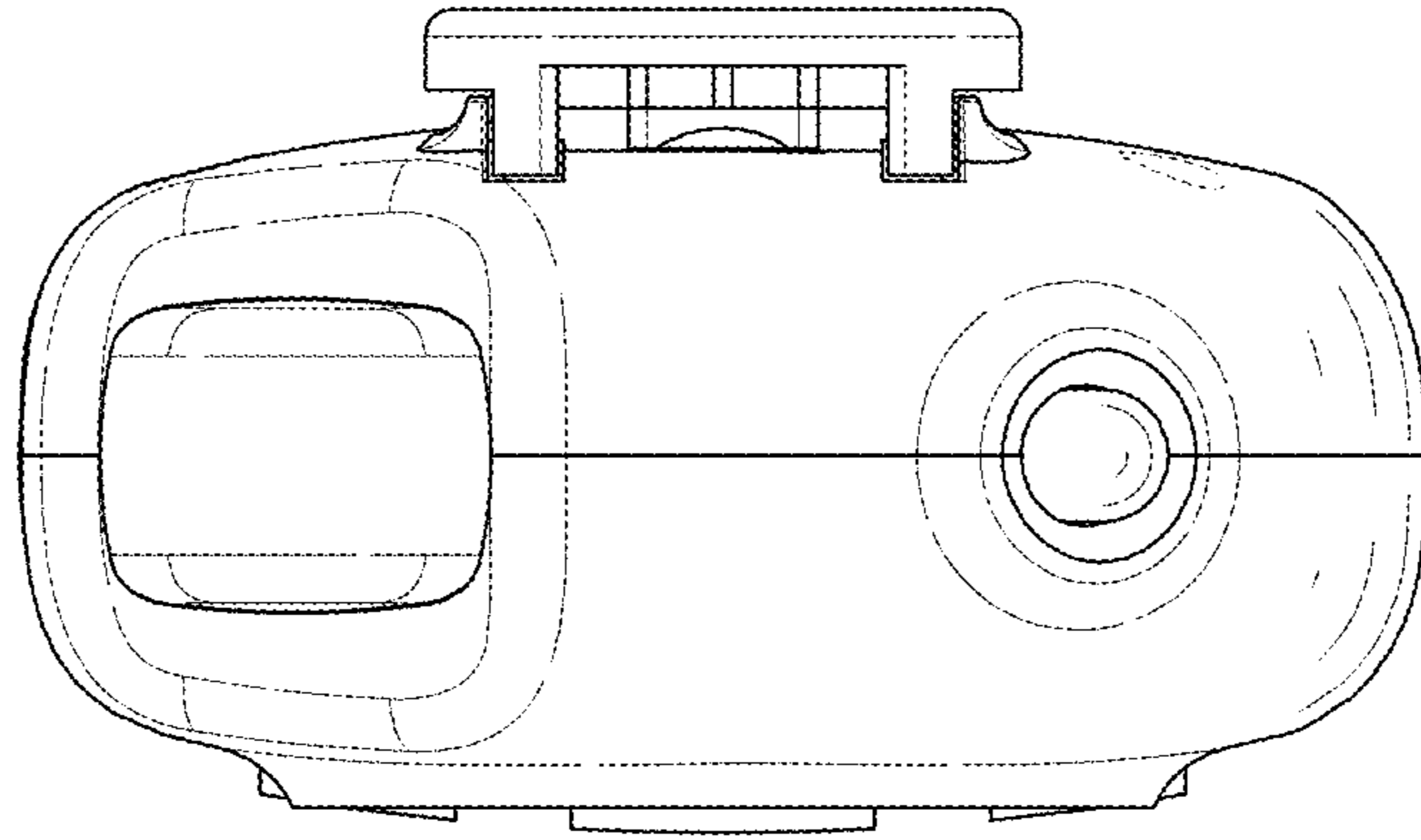


FIG. 7

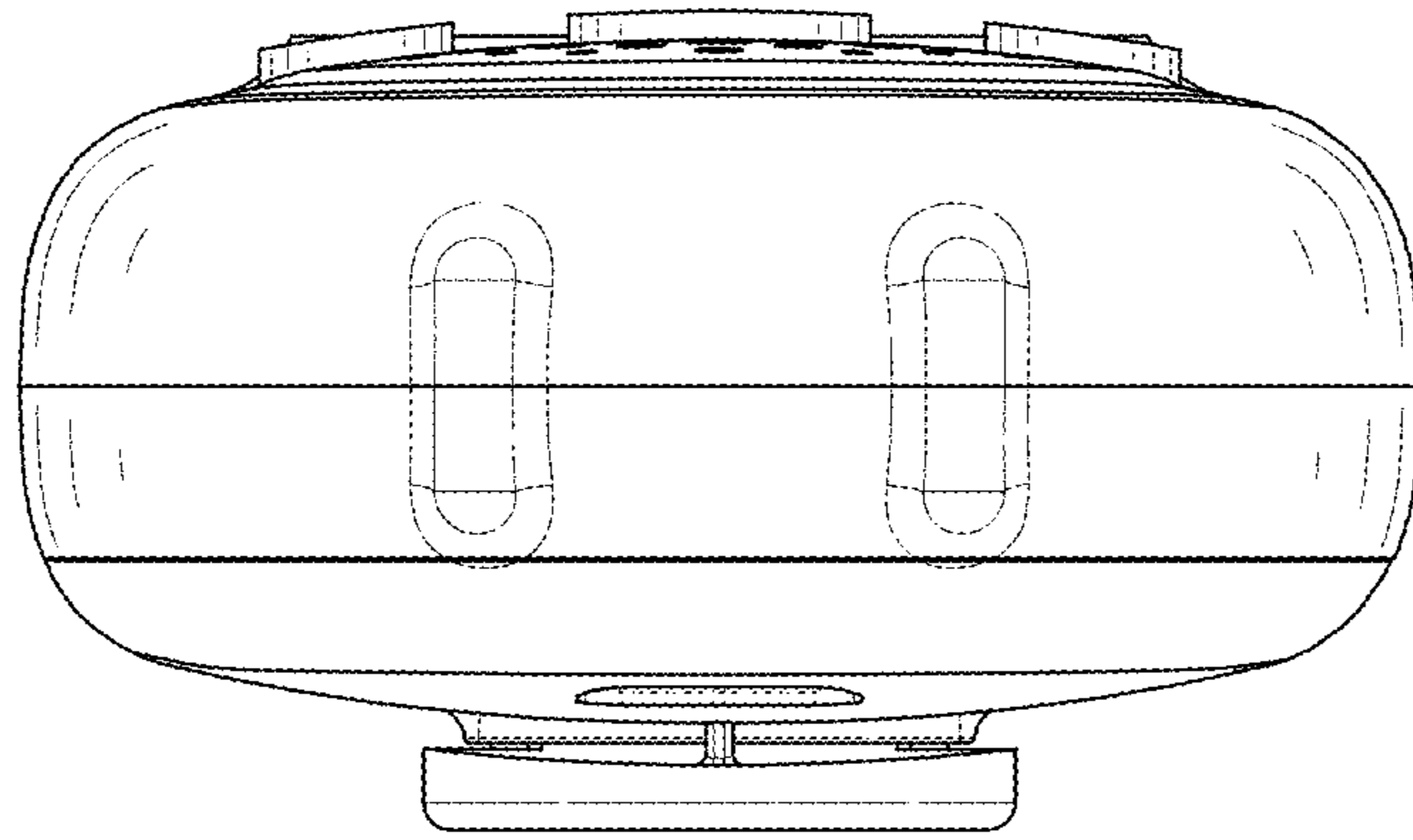


FIG. 8