

US00D964946S

(12) **United States Design Patent**
Zhuang

(10) **Patent No.:** **US D964,946 S**

(45) **Date of Patent:** **** Sep. 27, 2022**

(54) **MEDICAL CONTROLLER**

(71) Applicant: **TIMOTION TECHNOLOGY CO., LTD.**, New Taipei (TW)

(72) Inventor: **Bing-Sen Zhuang**, New Taipei (TW)

(73) Assignee: **TIMOTION TECHNOLOGY CO., LTD.**, New Taipei (TW)

(**) Term: **15 Years**

(21) Appl. No.: **29/797,174**

(22) Filed: **Jun. 29, 2021**

(51) **LOC (13) Cl.** **13-03**

(52) **U.S. Cl.**
USPC **D13/164**; D13/168

(58) **Field of Classification Search**
USPC D13/162, 164, 168; D14/218; D24/200
CPC G08C 17/02; G08C 19/00; G08C 19/12;
G08C 19/28; G08C 23/04; H04B 1/202;
H03J 9/00; H03J 9/02; H03J 9/04; H03J
9/06; H03J 1/0025; A47C 31/008; A61G
13/02
See application file for complete search history.

(56) **References Cited**

U.S. PATENT DOCUMENTS

D294,016	S	*	2/1988	Vance	D13/164
5,926,002	A	*	7/1999	Cavanaugh	H01H 9/0214 297/284.3
6,008,598	A	*	12/1999	Luff	A47C 31/008 318/16
D540,749	S	*	4/2007	Kaule	D13/168
D595,668	S	*	7/2009	Lasky	D13/168
D617,746	S	*	6/2010	Choi	D13/164
D673,061	S	*	12/2012	Wu	D10/49
D719,532	S	*	12/2014	Wu	D10/49
D740,763	S	*	10/2015	Wenji	D13/162
D802,542	S	*	11/2017	Christensen	D13/168
D868,744	S	*	12/2019	Yang	D14/218
D897,971	S	*	10/2020	Chen	D13/168

D907,586	S		1/2021	Lombardi et al.	
10,925,404	B2	*	2/2021	Rains A47C 7/54
D912,021	S	*	3/2021	Wei D14/230
D916,035	S	*	4/2021	Shi D14/218
D916,668	S	*	4/2021	Li D13/168
D919,601	S		5/2021	Chen	
D930,599	S	*	9/2021	Chen D13/171
D939,453	S	*	12/2021	Kennedy D13/168
2010/0213042	A1	*	8/2010	Smidt A47C 31/008 200/293

(Continued)

OTHER PUBLICATIONS

RiEye Mk2 Service manual, hand control-140-00319-00; Jul. 2018;2 pgs.;chrome-extension://efaidnbmnnnibpcajpcglefindmkaj/https://rinicompany.com/wp-content/uploads/2019/10/100-00105-0n-RiEye-Mk2S-Service-manual-GB-v2.pdf.*

(Continued)

Primary Examiner — Selina Sikder

(74) *Attorney, Agent, or Firm* — Chun-Ming Shih; HDLS IPR Services

(57) **CLAIM**

The ornamental design for a medical controller, as shown and described.

DESCRIPTION

FIG. 1 is a perspective view of a medical controller showing my new design;

FIG. 2 is a front view thereof;

FIG. 3 is a rear view thereof;

FIG. 4 is a left side view thereof;

FIG. 5 is a right side view thereof;

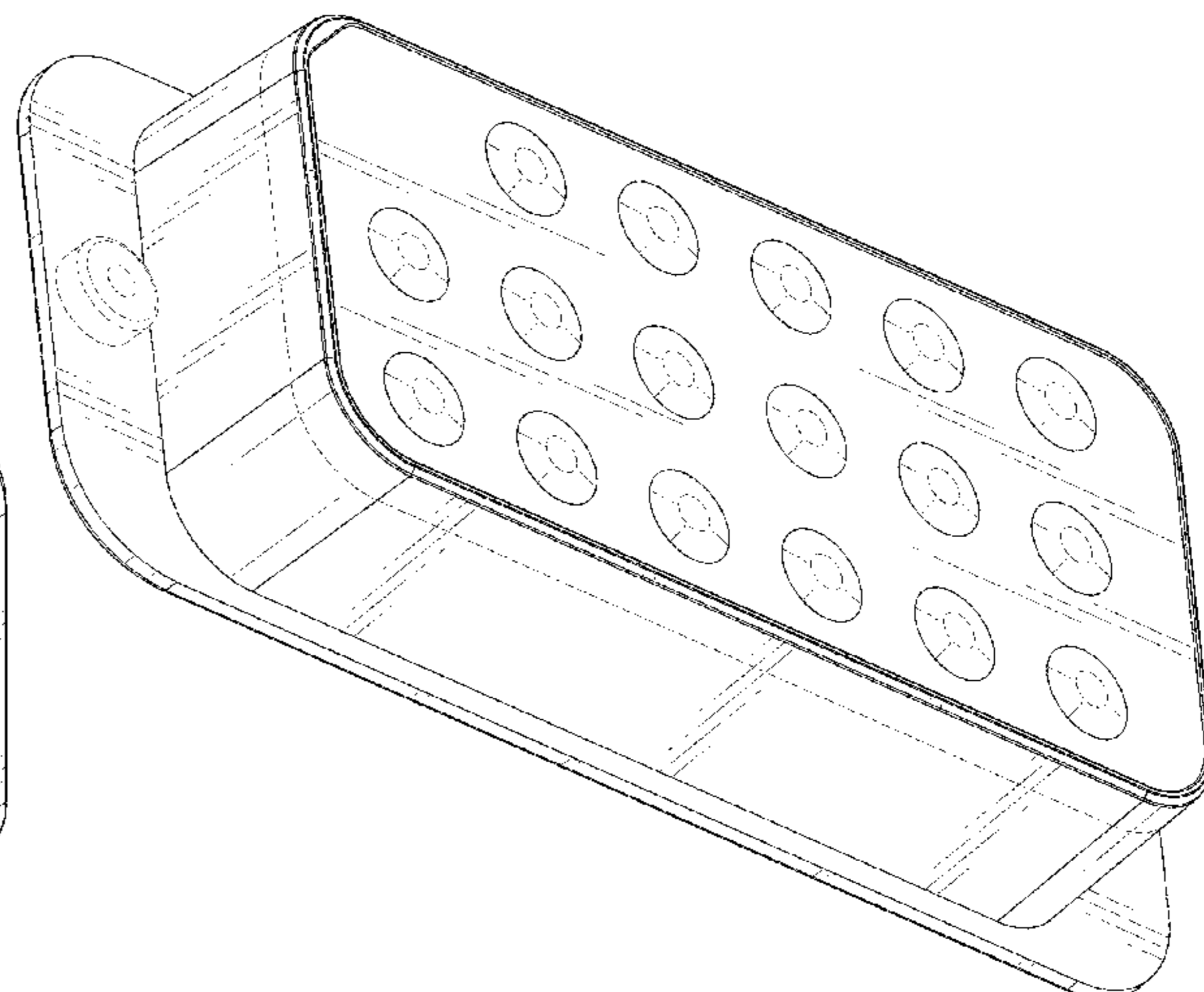
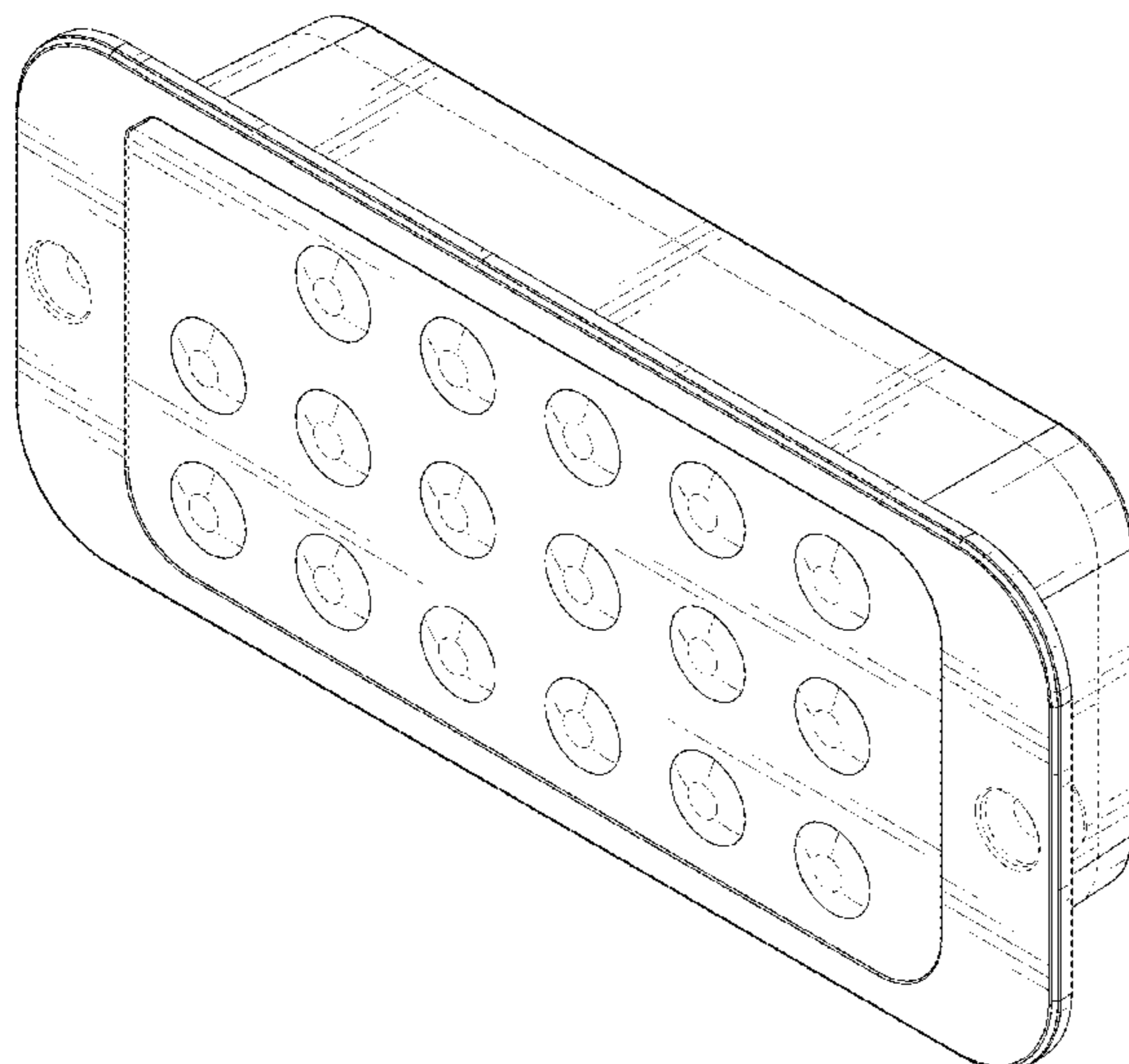
FIG. 6 is a top view thereof;

FIG. 7 is a bottom view thereof; and,

FIG. 8 is second perspective view showing the a medical controller.

The broken lines in the drawings illustrate portions of the medical controller that form no part of the claimed design.

1 Claim, 8 Drawing Sheets



(56)

References Cited

U.S. PATENT DOCUMENTS

2013/0198959 A1* 8/2013 Wu A61G 7/018
5/611
2020/0253379 A1* 8/2020 Song A47C 1/03211

OTHER PUBLICATIONS

Office Action dated Nov. 19, 2021 of the corresponding Taiwan design application No. 110303148.

* cited by examiner

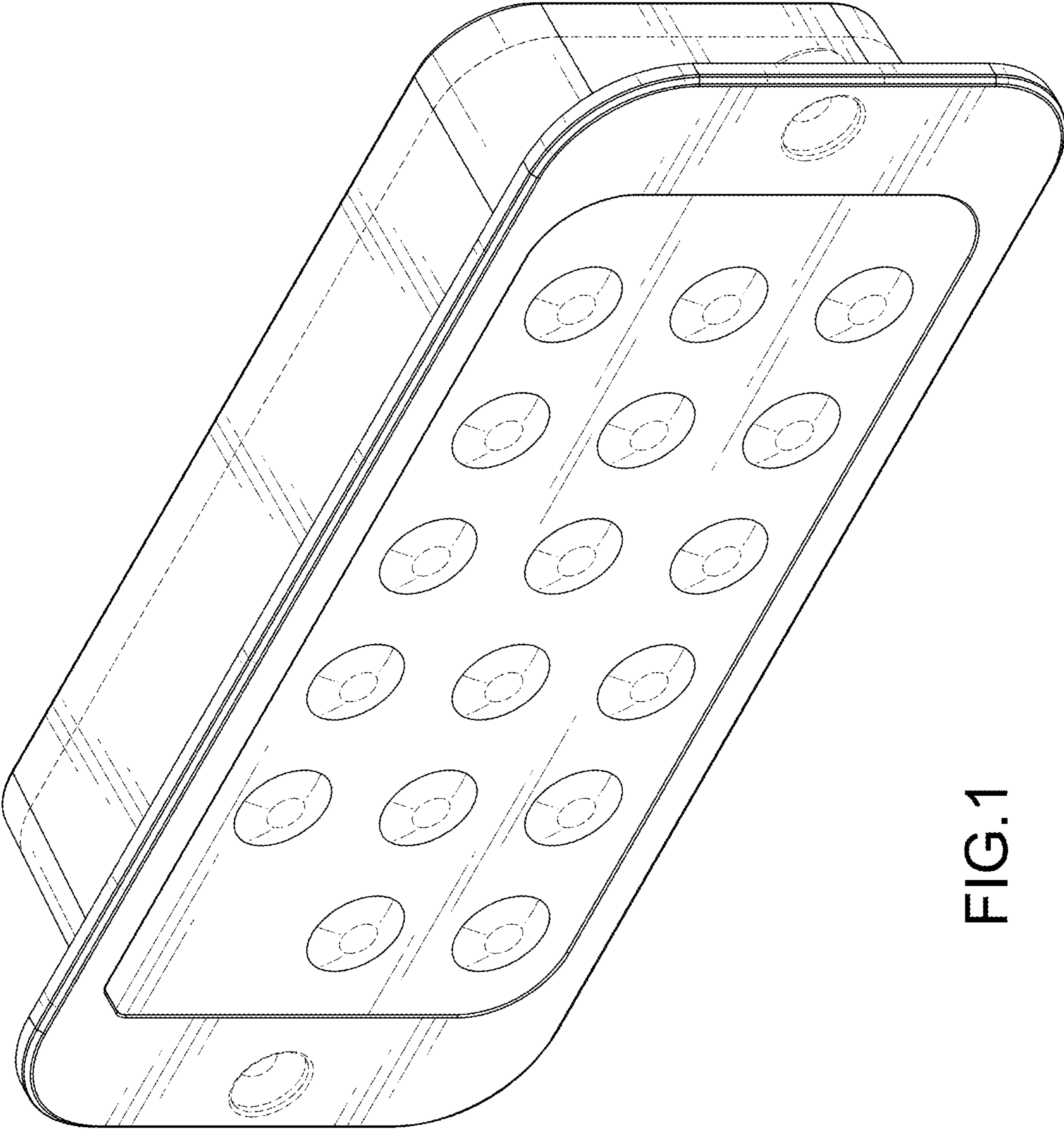


FIG.1

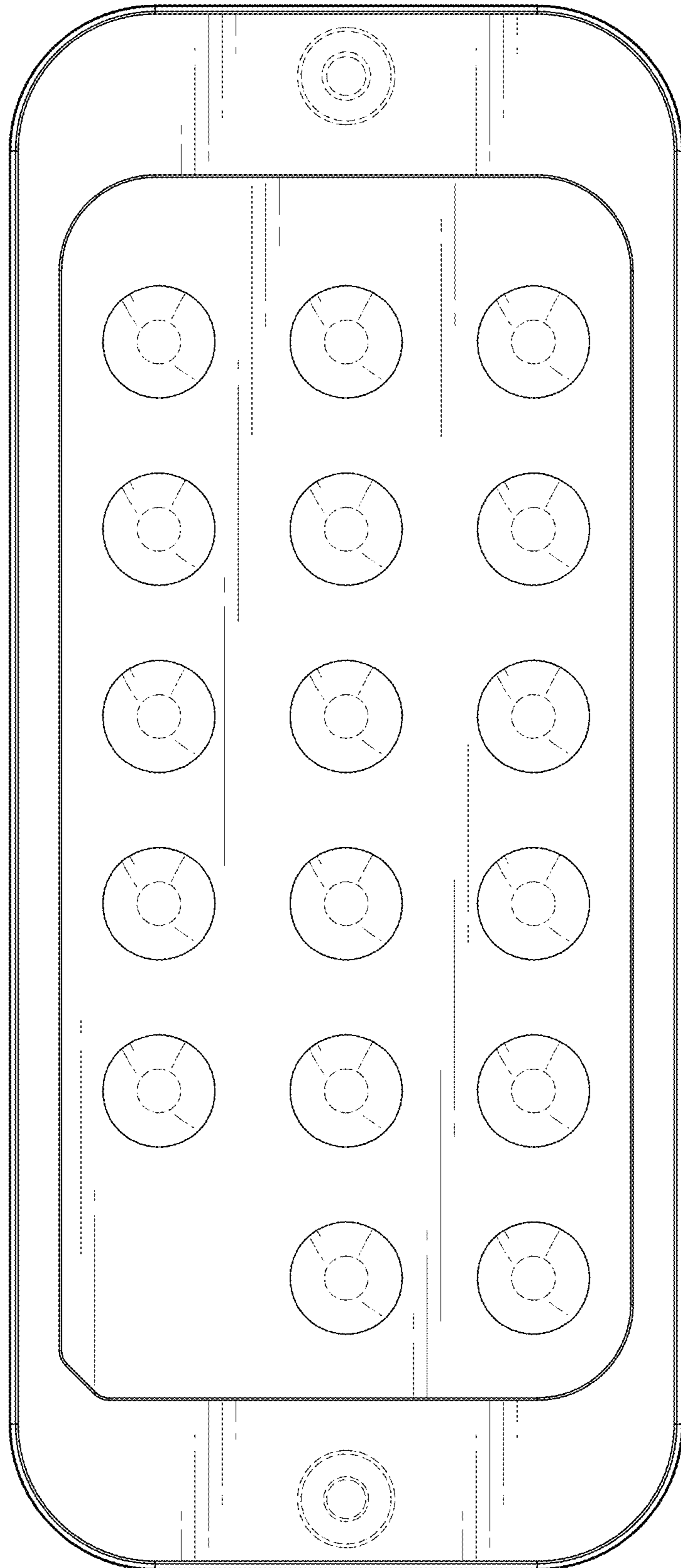


FIG.2

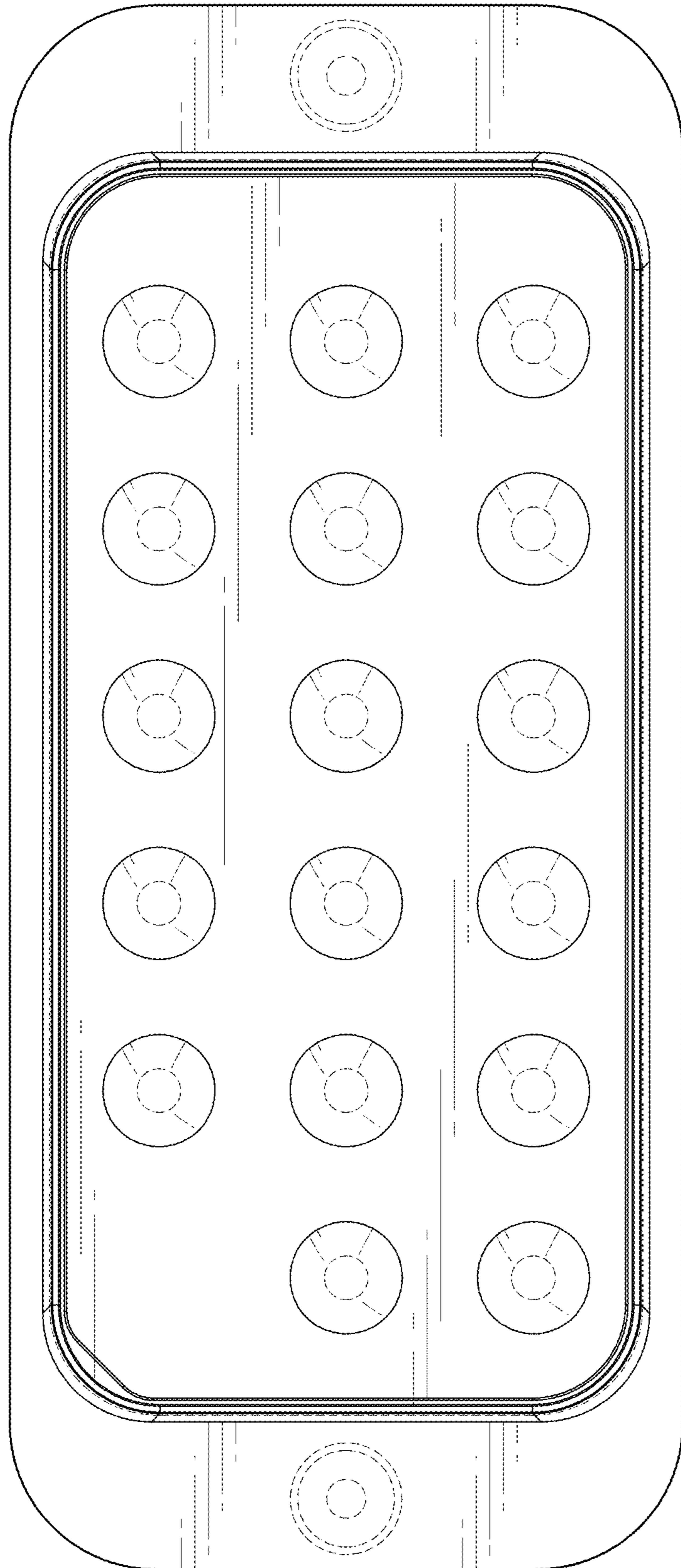


FIG.3

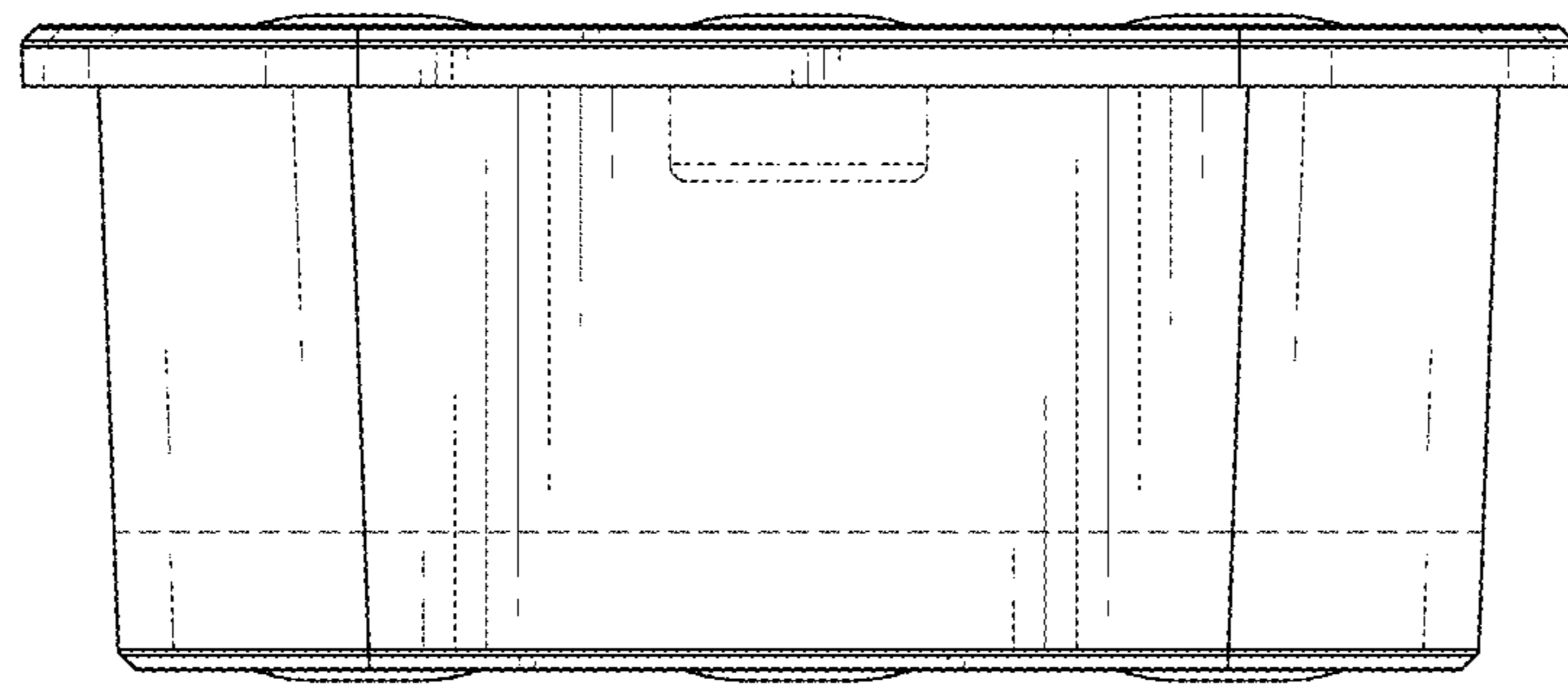


FIG.4

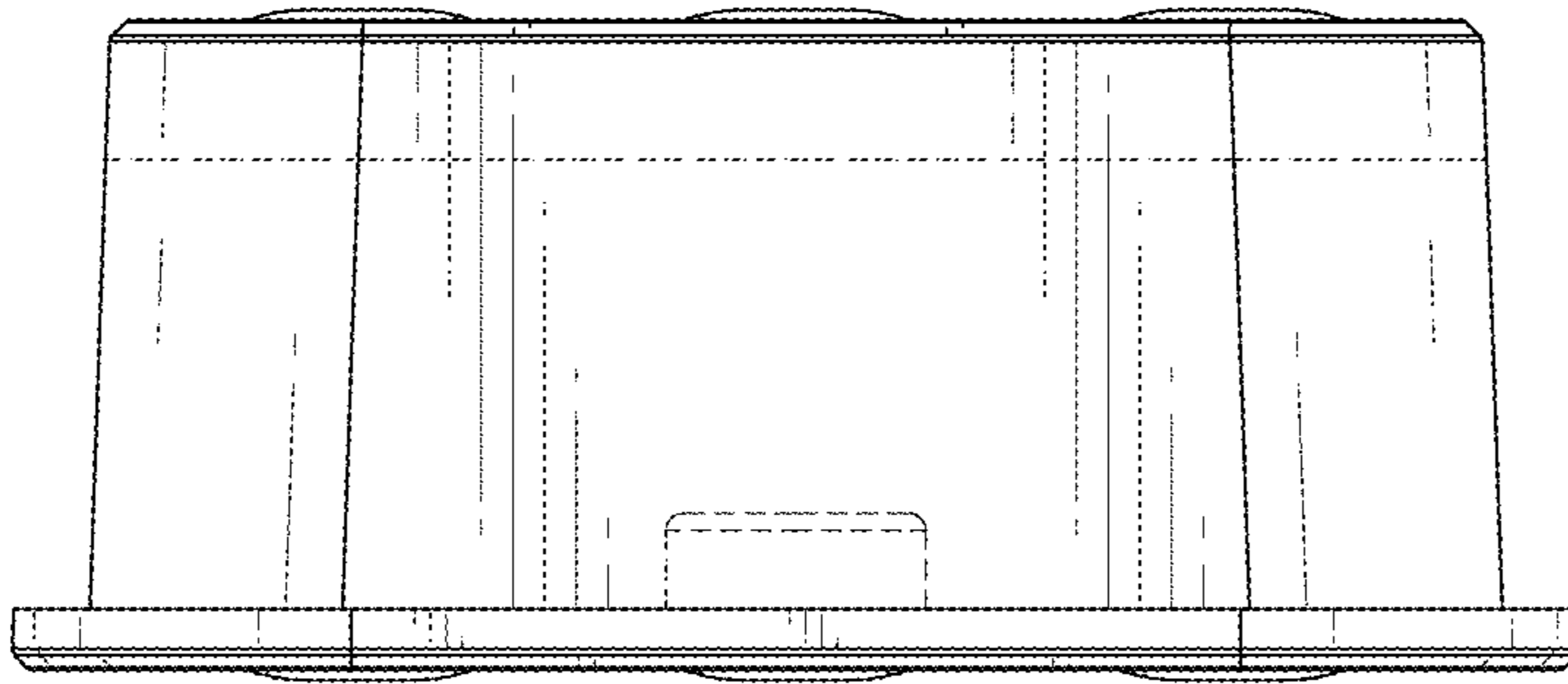


FIG.5

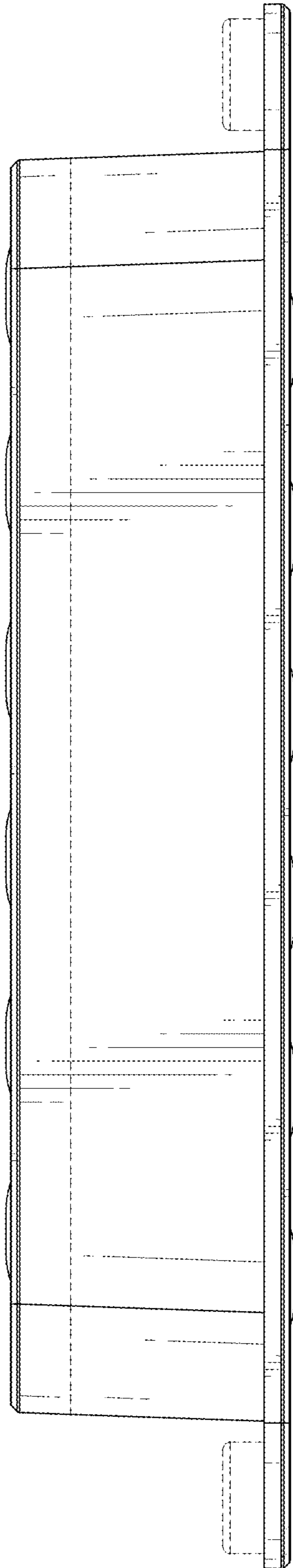


FIG.6

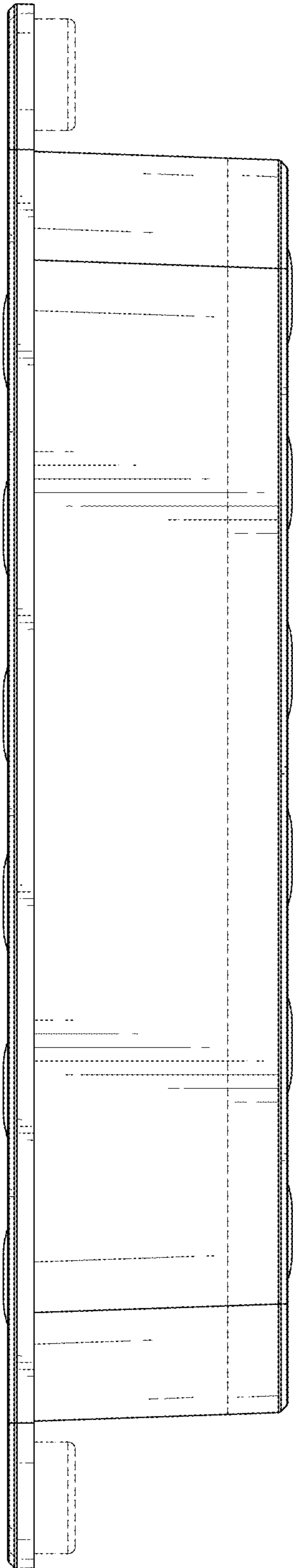


FIG.7

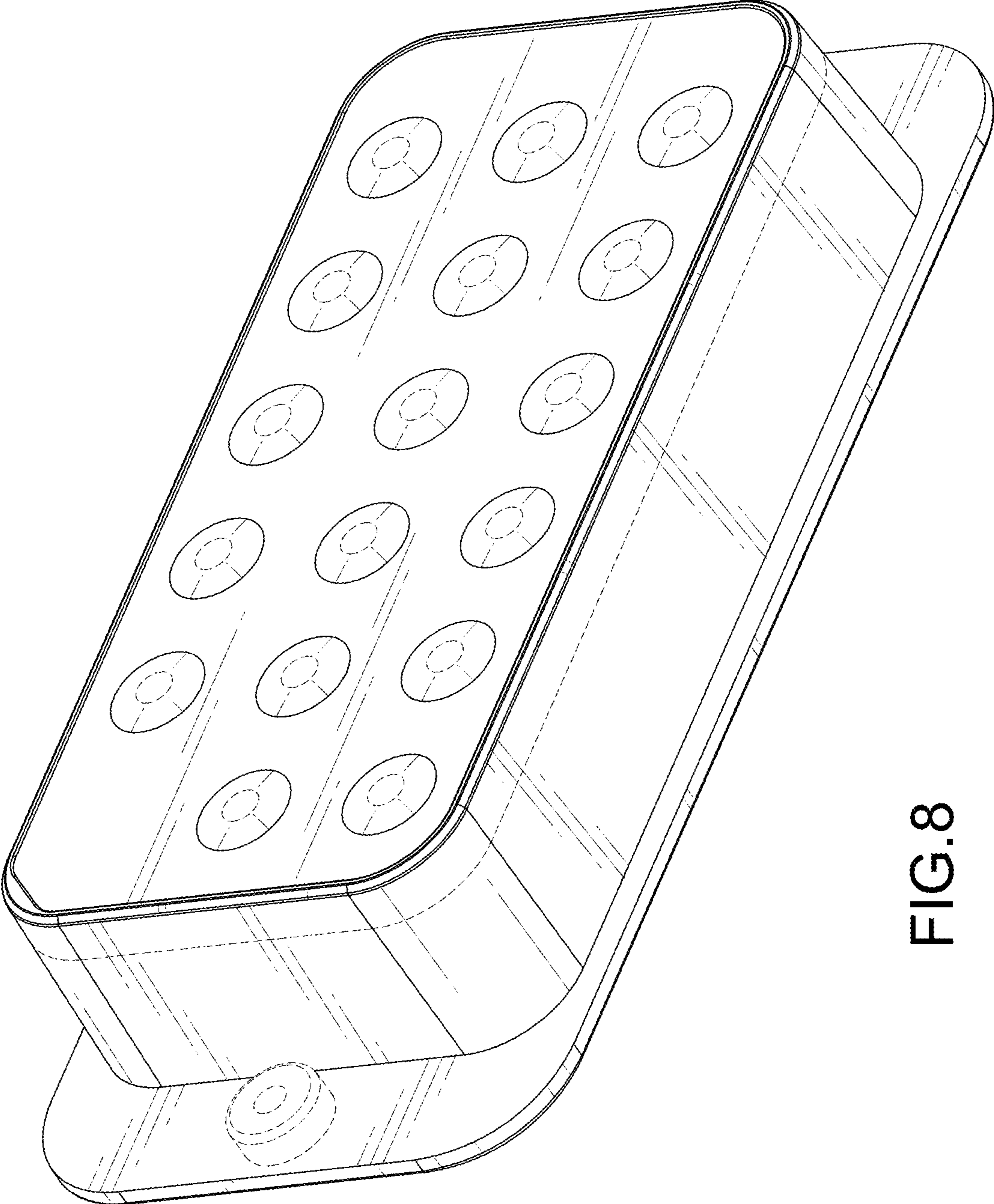


FIG.8