



US00D964945S

(12) **United States Design Patent** (10) **Patent No.:** **US D964,945 S**
Bell et al. (45) **Date of Patent:** **** Sep. 27, 2022**

(54) **CABLE TIE BUTTON**

FOREIGN PATENT DOCUMENTS

(71) Applicant: **ConcealFab Corporation**, Colorado Springs, CO (US)

AU	701177	B2	1/1999
CN	1144313	C	3/2004
CN	204295592	U	4/2015
CN	109004588	A	12/2018
CN	209467545	U	10/2019
CN	209743347	U	12/2019
CN	108909652	B	1/2020
EP	0602548	B1	8/1997
JP	H08504156	A	5/1996
JP	2005000445		2/2006

(72) Inventors: **Thomas Bell**, Colorado Springs, CO (US); **Jacob Lovelady**, Colorado Springs, CO (US)

(73) Assignee: **ConcealFab, Inc.**, Colorado Springs, CO (US)

(**) Term: **15 Years**

OTHER PUBLICATIONS

(21) Appl. No.: **29/833,347**

2-Piece Fixing Ties With Button Mount, for Round Holes, Hel-lermann Tyton, Article No. 156-02512.
Sta-Strap Tie, Cable; Self-Locking, Wesco Distribution Inc, Pitts-burgh.

(22) Filed: **Apr. 3, 2022**

(51) **LOC (13) Cl.** **13-03**

(52) **U.S. Cl.**
USPC **D13/155**

(58) **Field of Classification Search**
USPC D13/155, 110; D8/356
See application file for complete search history.

* cited by examiner

Primary Examiner — Jennifer O King
(74) *Attorney, Agent, or Firm* — Mehrman Law Office;
Michael J. Mehrman

(56) **References Cited**

(57) **CLAIM**

U.S. PATENT DOCUMENTS

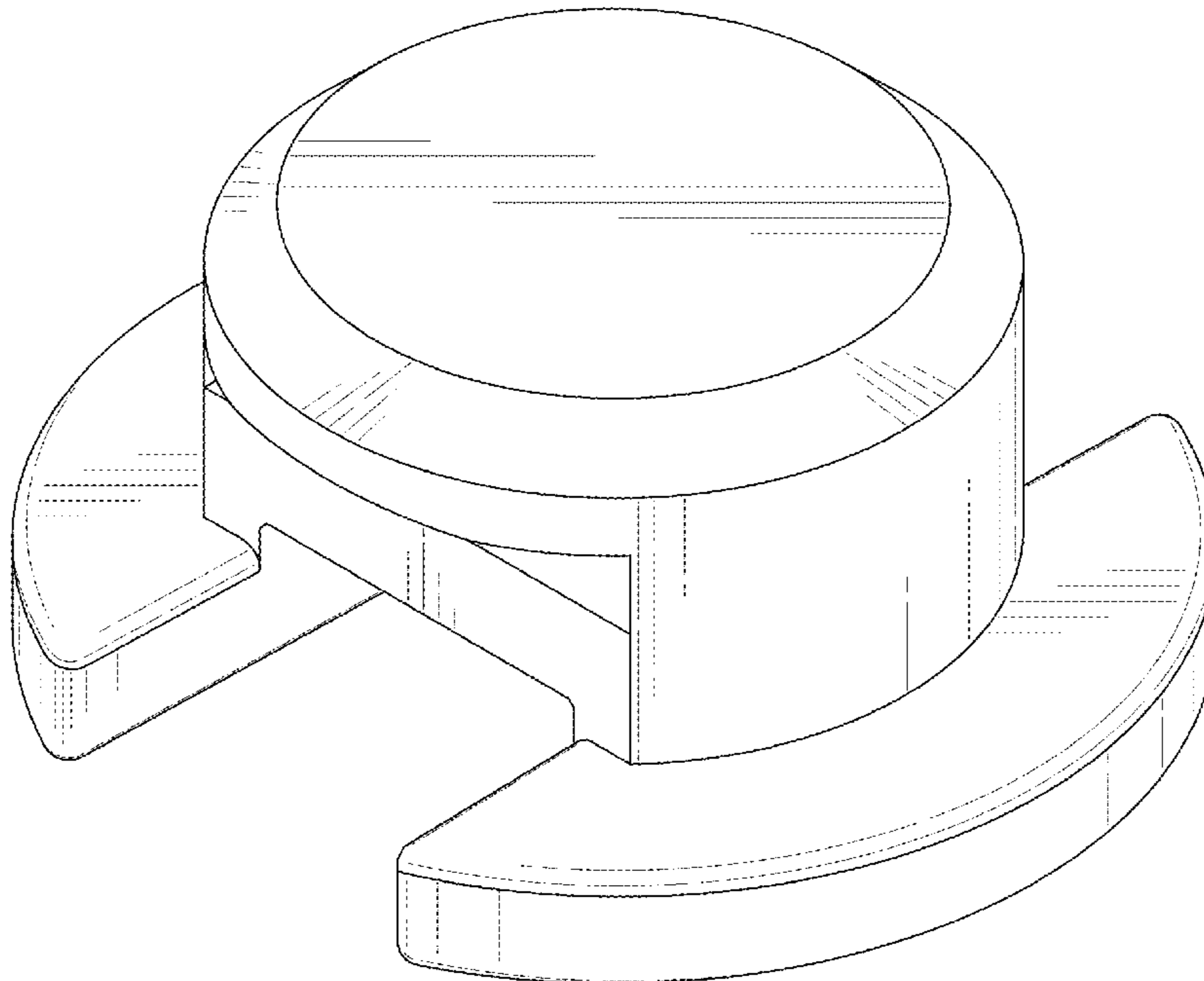
The ornamental design for a cable tie button, shown and described herein.

4,640,479	A *	2/1987	Shely	H02G 3/0641	16/2.2
5,332,179	A	7/1994	Kuffel et al.			
D561,566	S *	2/2008	Perez Delgado	D8/358	
D618,985	S *	7/2010	Sjoqvist	D8/356	
7,854,750	B2 *	12/2010	Bonutti	A61B 17/0487	606/232
D761,086	S *	7/2016	Zeidler	D8/356	
D842,078	S *	3/2019	Martino	D8/356	
D867,859	S *	11/2019	Herbert	D8/356	
D937,225	S *	11/2021	Choi	D13/155	
2013/0298381	A1	11/2013	Owen			

DESCRIPTION

FIG. 1 is a perspective view of a cable tie button, showing the new design;
FIG. 2 is a front elevational view thereof;
FIG. 3 is a side elevational view thereof;
FIG. 4 is a top view of thereof; and,
FIG. 5 is a bottom view thereof.

1 Claim, 5 Drawing Sheets



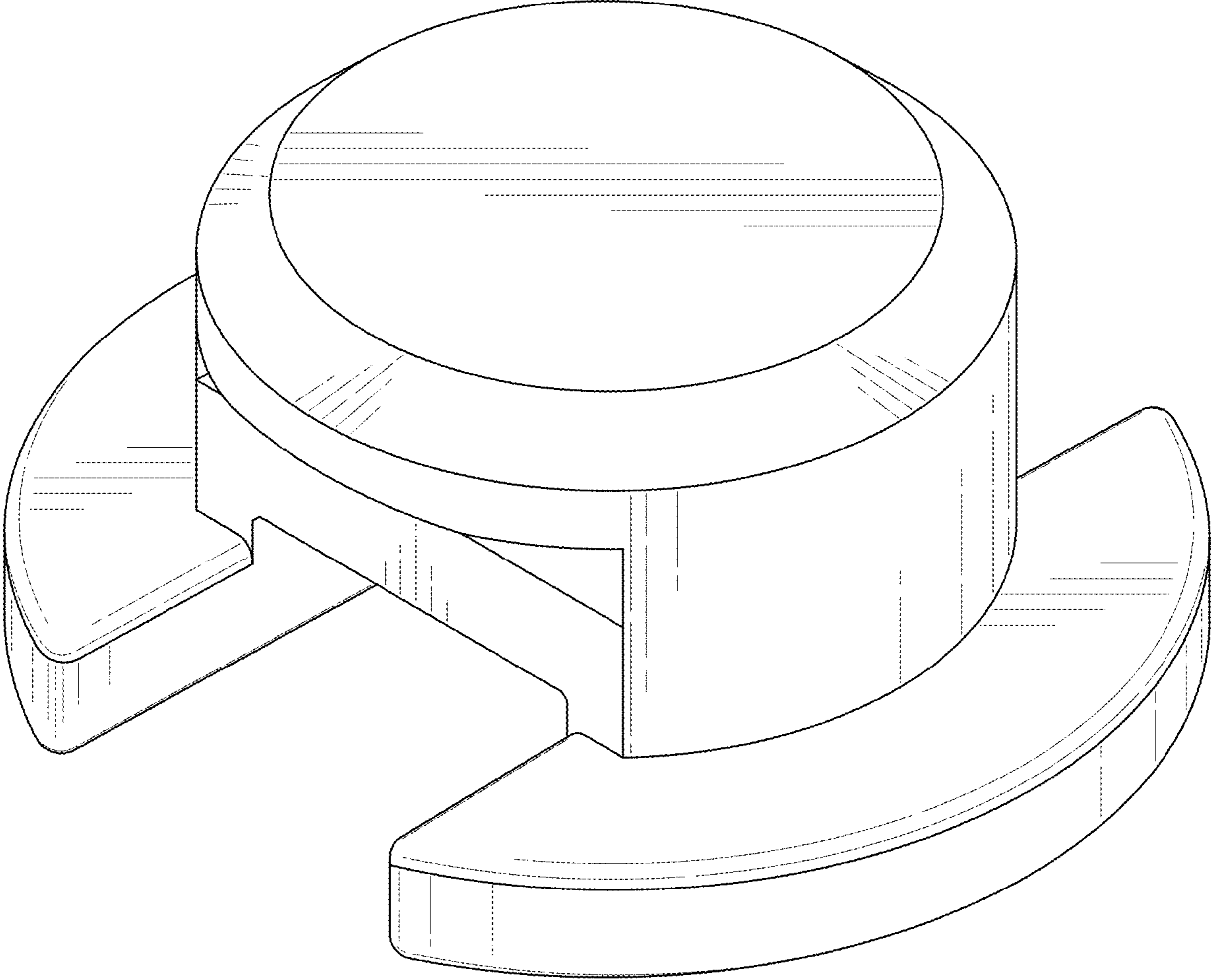


FIG. 1

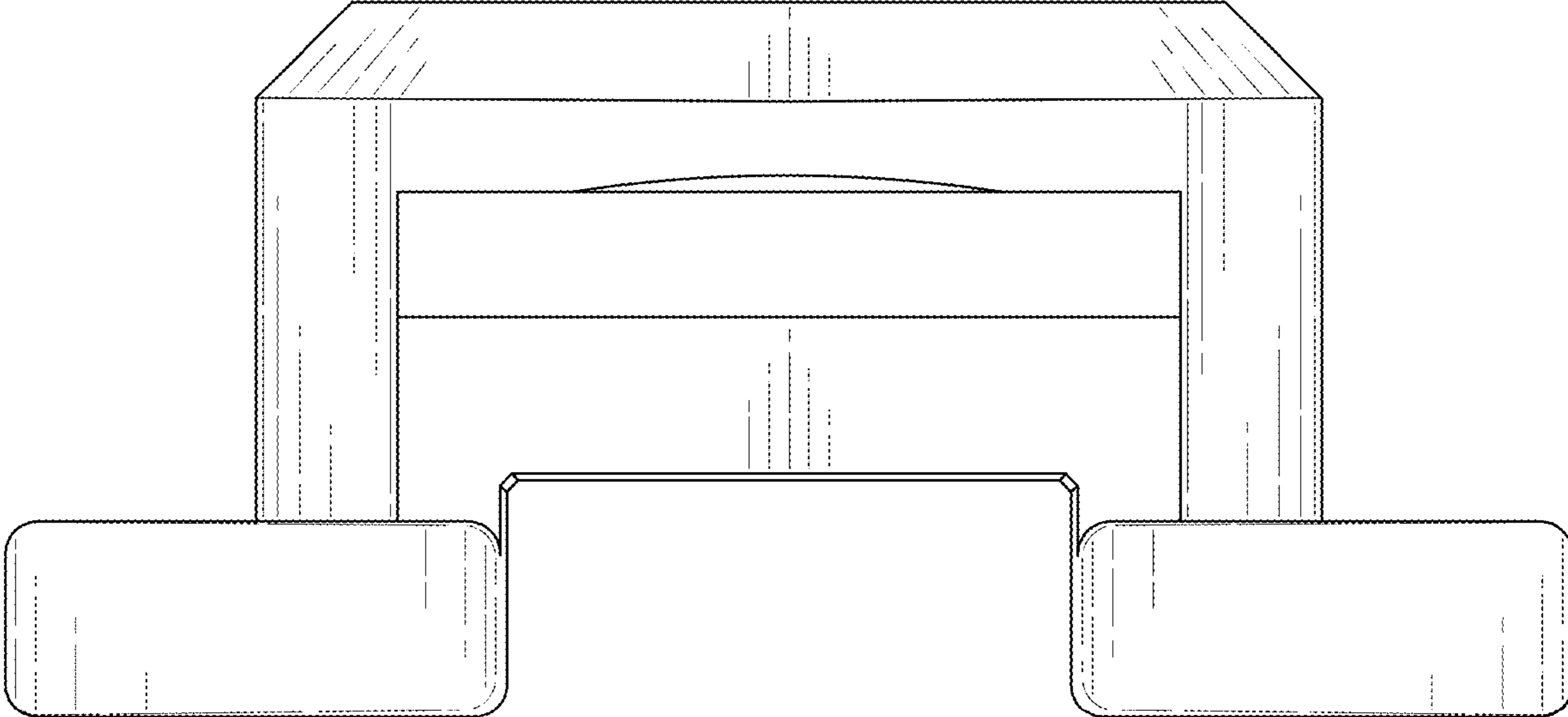


FIG. 2

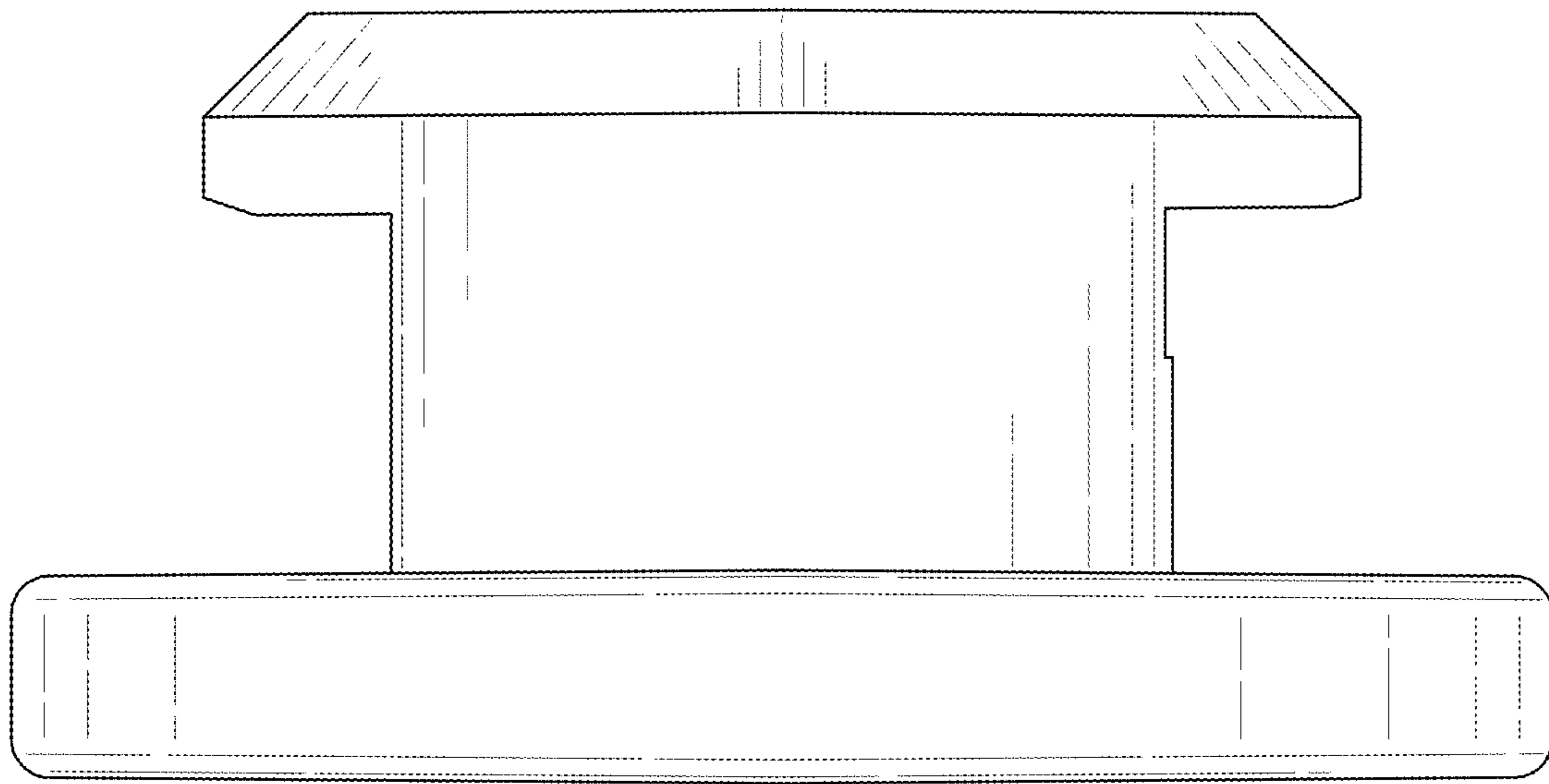


FIG. 3

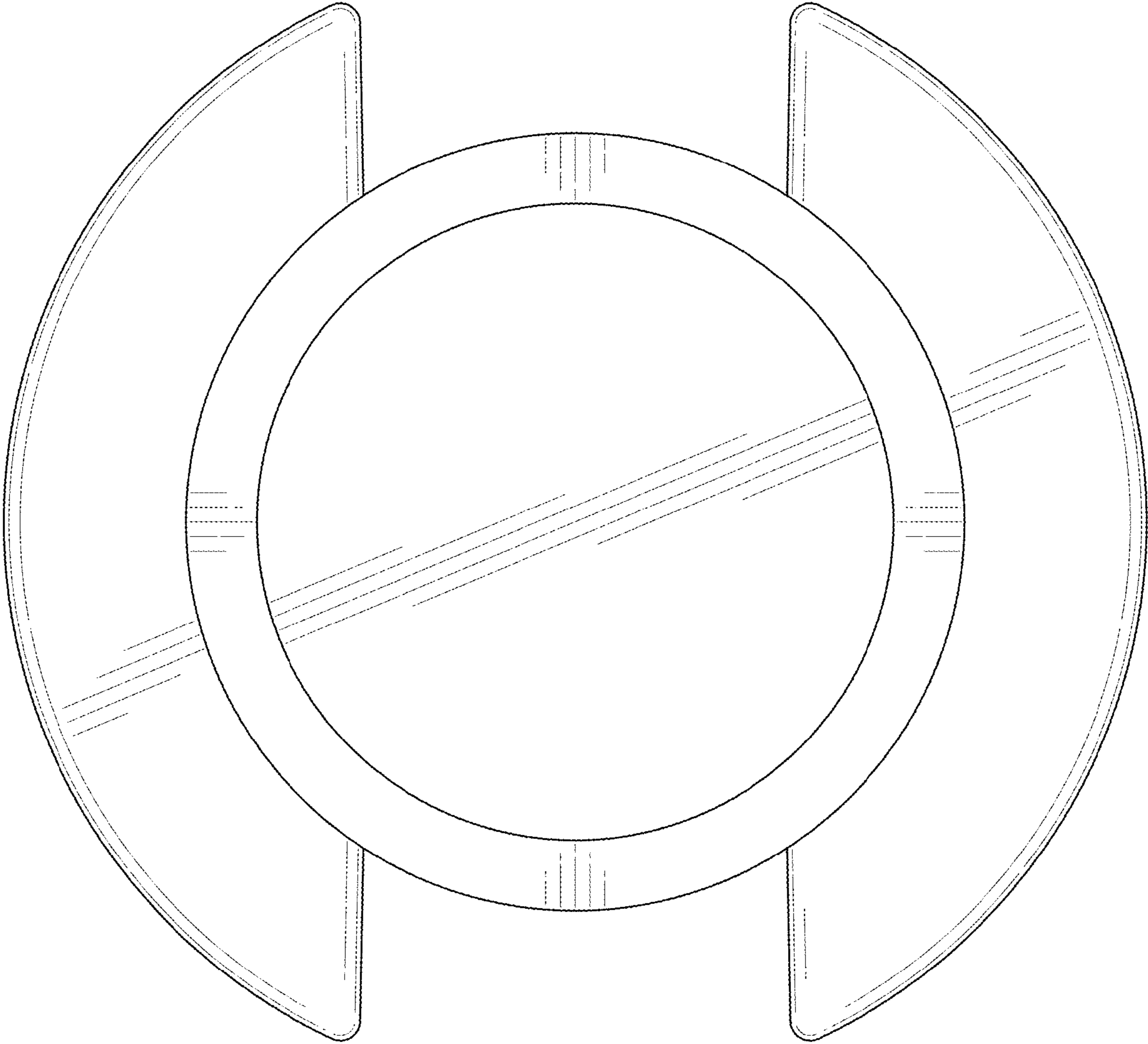


FIG. 4

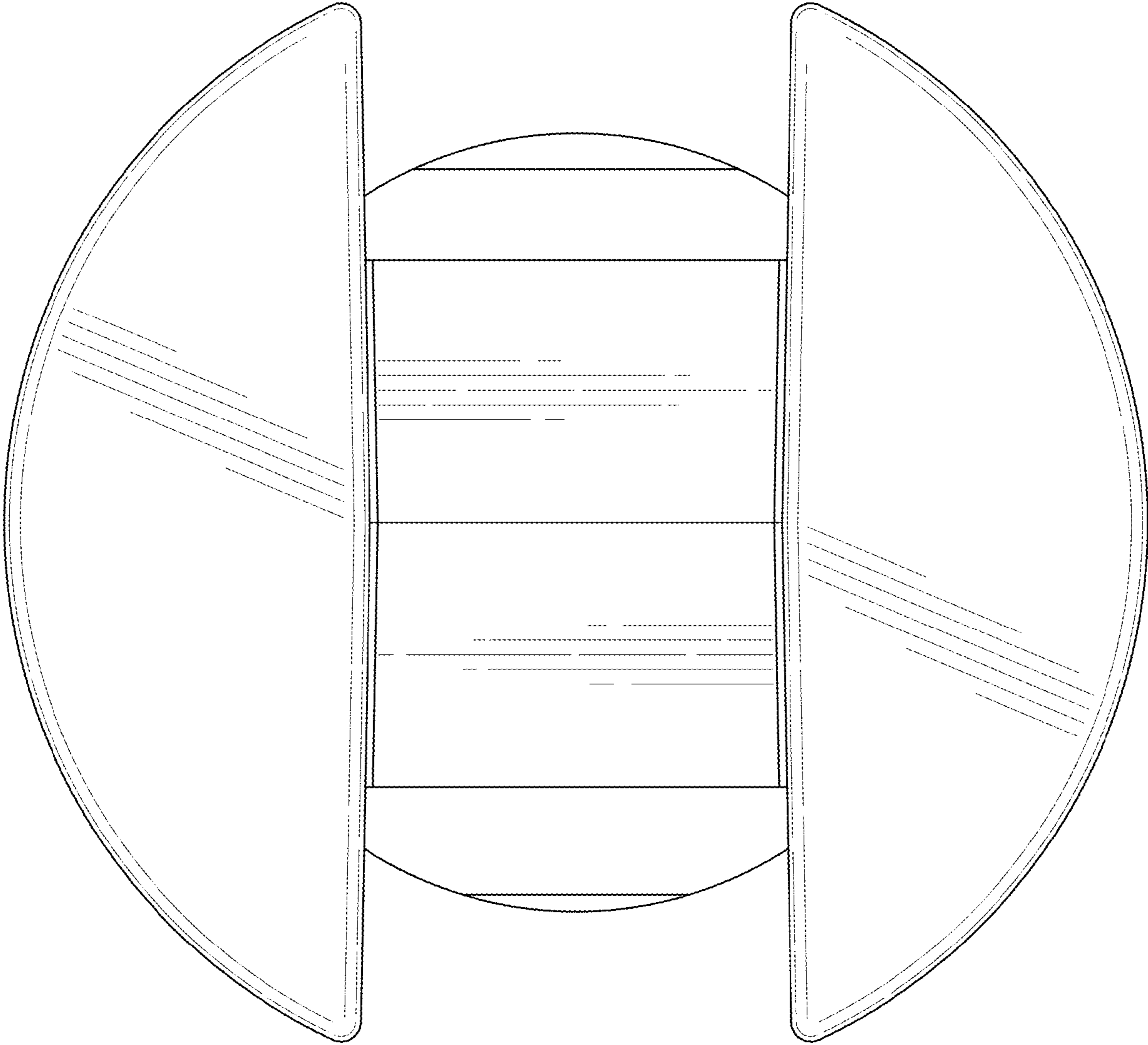


FIG. 5