

US00D964943S

(12) **United States Design Patent**
Xu

(10) **Patent No.:** **US D964,943 S**

(45) **Date of Patent:** **** Sep. 27, 2022**

(54) **ELECTRICAL CONNECTION BOX**

(71) Applicant: **MENGCHENG COUNTY YIYANG
E-COMMERCE CO., LTD.**, Bozhou
(CN)

(72) Inventor: **Yu Xu**, Bozhou (CN)

(73) Assignee: **MENGCHENG COUNTY YIYANG
E-COMMERCE CO., LTD.**, Bozhou
(CN)

(**) Term: **15 Years**

(21) Appl. No.: **29/785,995**

(22) Filed: **May 28, 2021**

(51) **LOC (13) Cl.** **13-03**

(52) **U.S. Cl.**
USPC **D13/152; D13/158**

(58) **Field of Classification Search**
USPC D13/101, 110, 118, 123, 152, 158-160,
D13/173, 184, 199
CPC B60R 16/02; B60R 16/023; H01R 29/00;
H02G 3/08; H02G 3/14; H05K 5/06
See application file for complete search history.

(56) **References Cited**

U.S. PATENT DOCUMENTS

D251,326 S *	3/1979	Kristofek	D13/184
D252,568 S *	8/1979	Comstock	D13/184
D562,765 S *	2/2008	Tsuzuki	D13/110
D736,105 S *	8/2015	Hoyt	D10/64
D771,574 S *	11/2016	Hultquist	D13/156
D797,671 S	9/2017	Andersson et al.		
9,979,170 B1 *	5/2018	Nakano	H02G 3/105
D840,944 S *	2/2019	Tejera-Sosa	D13/152
D871,352 S *	12/2019	Morelli	D13/158
D879,040 S	3/2020	Moule		

D920,939 S *	6/2021	Alfredsson	D13/184
2011/0278290 A1 *	11/2011	Higginson	B65D 43/0212 29/428
2019/0344730 A1 *	11/2019	Kakimi	H05K 5/0013

FOREIGN PATENT DOCUMENTS

JP	2014103821 A *	6/2014
JP	2018186648 A *	11/2018
JP	2019068562 A *	4/2019

OTHER PUBLICATIONS

4 Way Standard (Mini) Relay Box, dated Apr. 15, 2014, [online], [site visited Jul. 29, 2022]. Available from Internet, URL: <https://www.12voltplanet.co.uk/4-way-relay-box-4-and-5-terminal-relays.html> (Year: 2014).*

* cited by examiner

Primary Examiner — Shawn T Gingrich

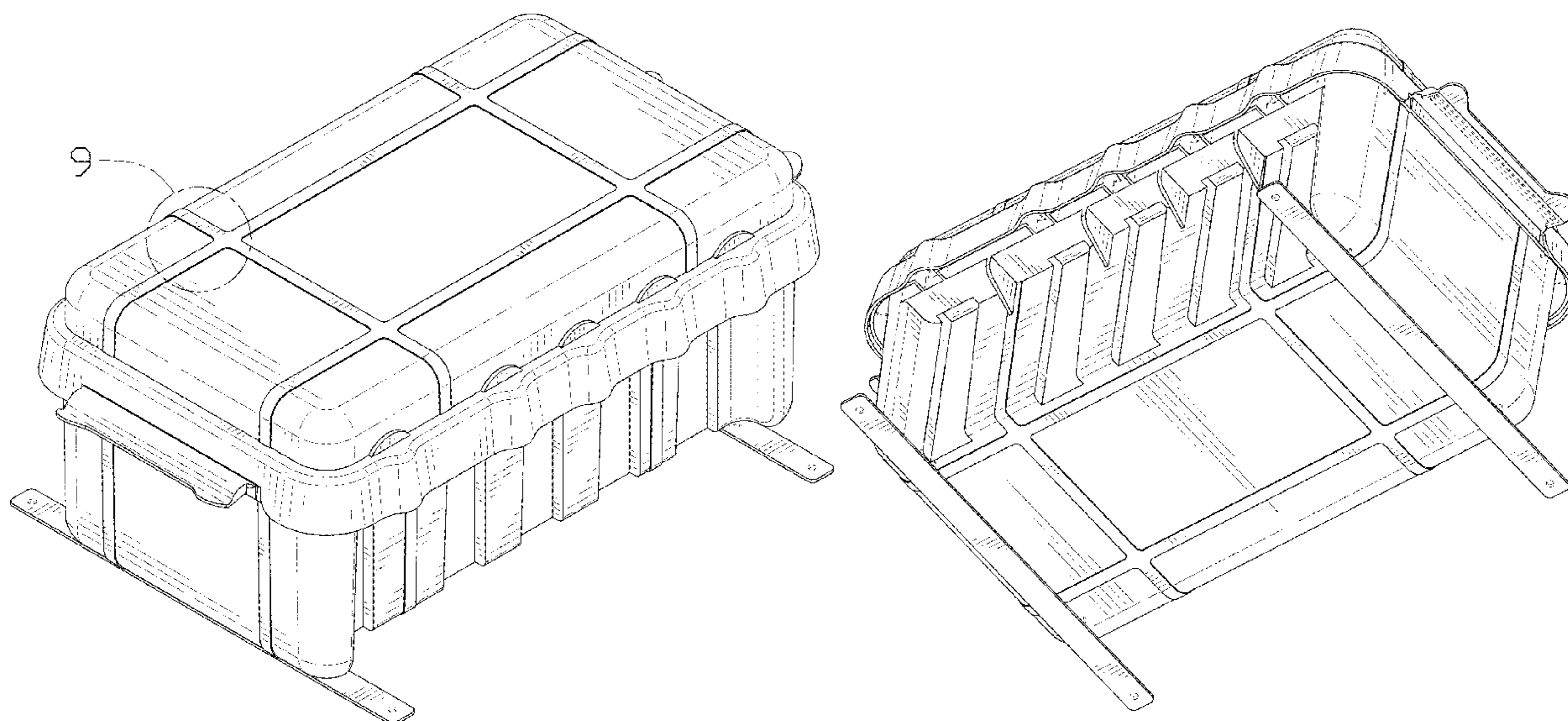
(57) **CLAIM**

The ornamental design for an electrical connection box, as shown and described.

DESCRIPTION

FIG. 1 is a perspective view of an electrical connection box showing my new design;
FIG. 2 is another perspective view thereof;
FIG. 3 is a front elevational view thereof;
FIG. 4 is a rear elevational view thereof;
FIG. 5 is a left side elevational view thereof;
FIG. 6 is a right side elevational view thereof;
FIG. 7 is a top plan view thereof;
FIG. 8 is a bottom plan view thereof; and,
FIG. 9 is an enlarged view of portion 9 shown in FIG. 1.
The broken lines in the drawings depict portions of the electrical connection box that form no part of the claimed design.

1 Claim, 9 Drawing Sheets



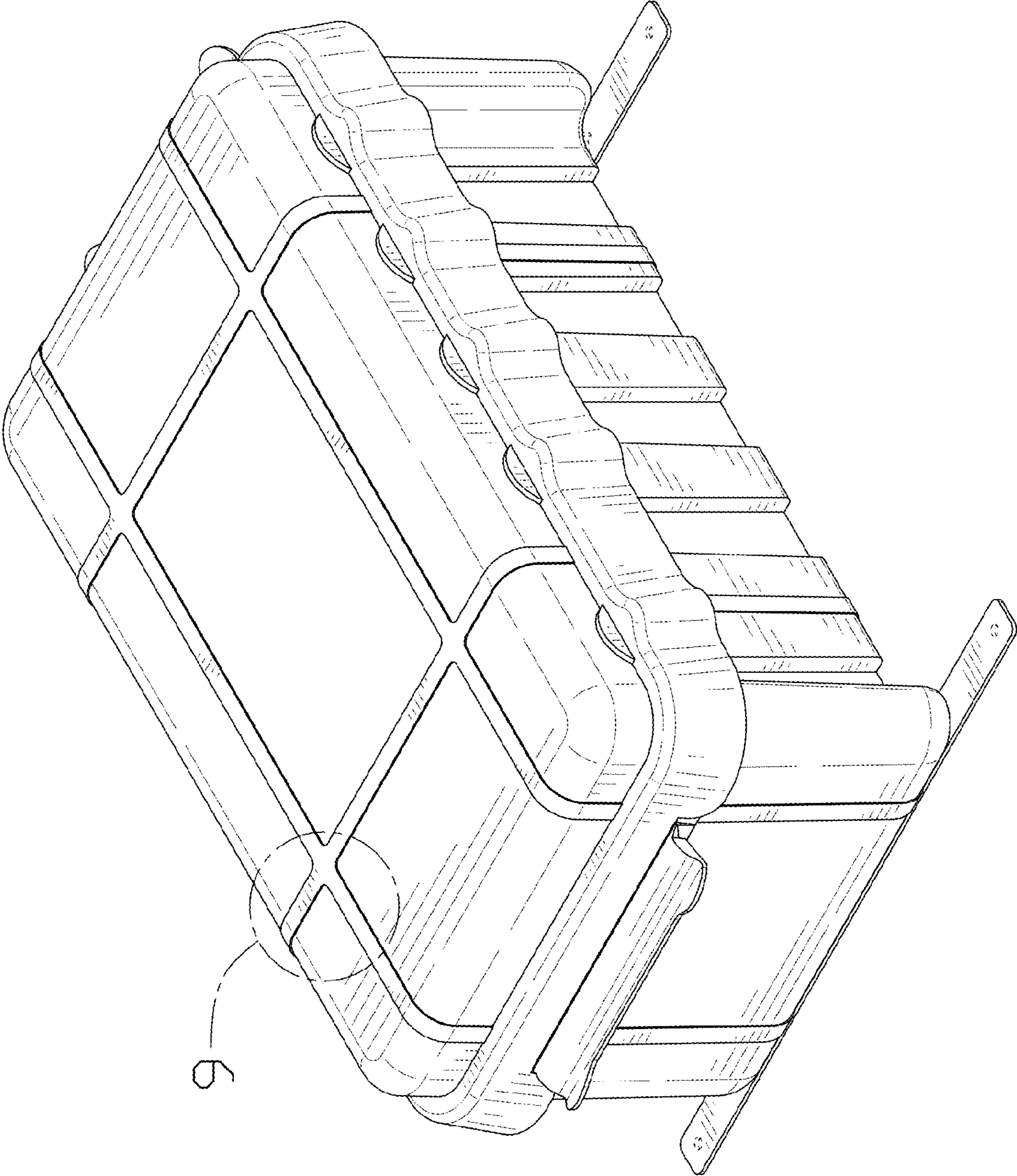


FIG. 1

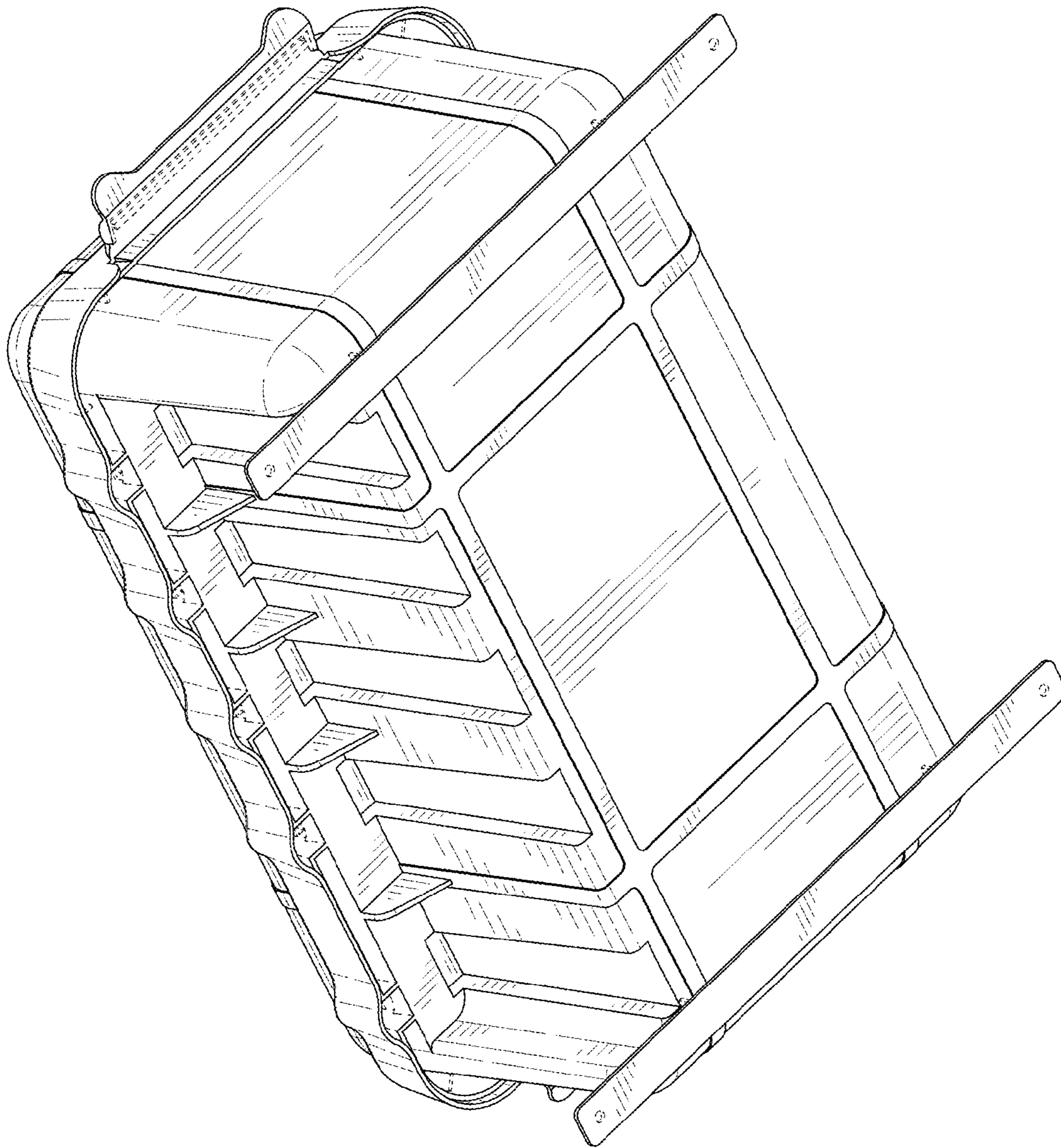


FIG. 2

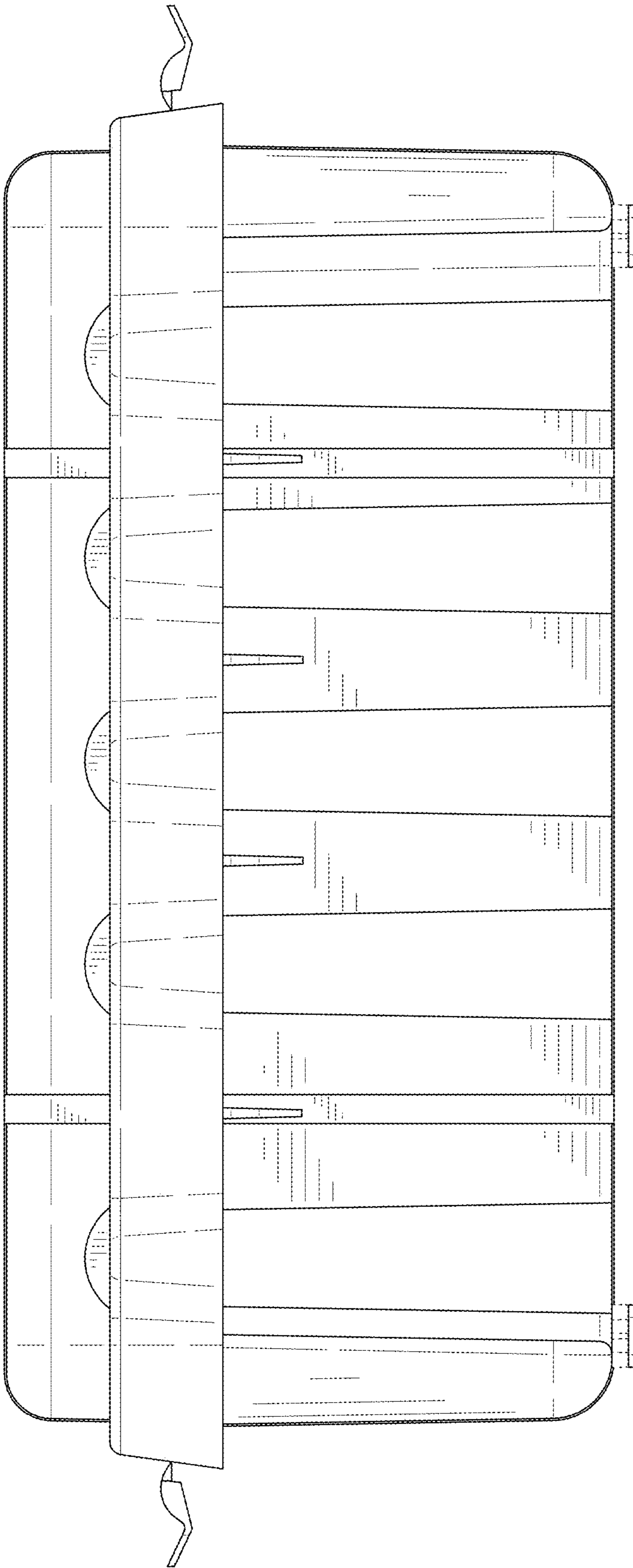


FIG. 3

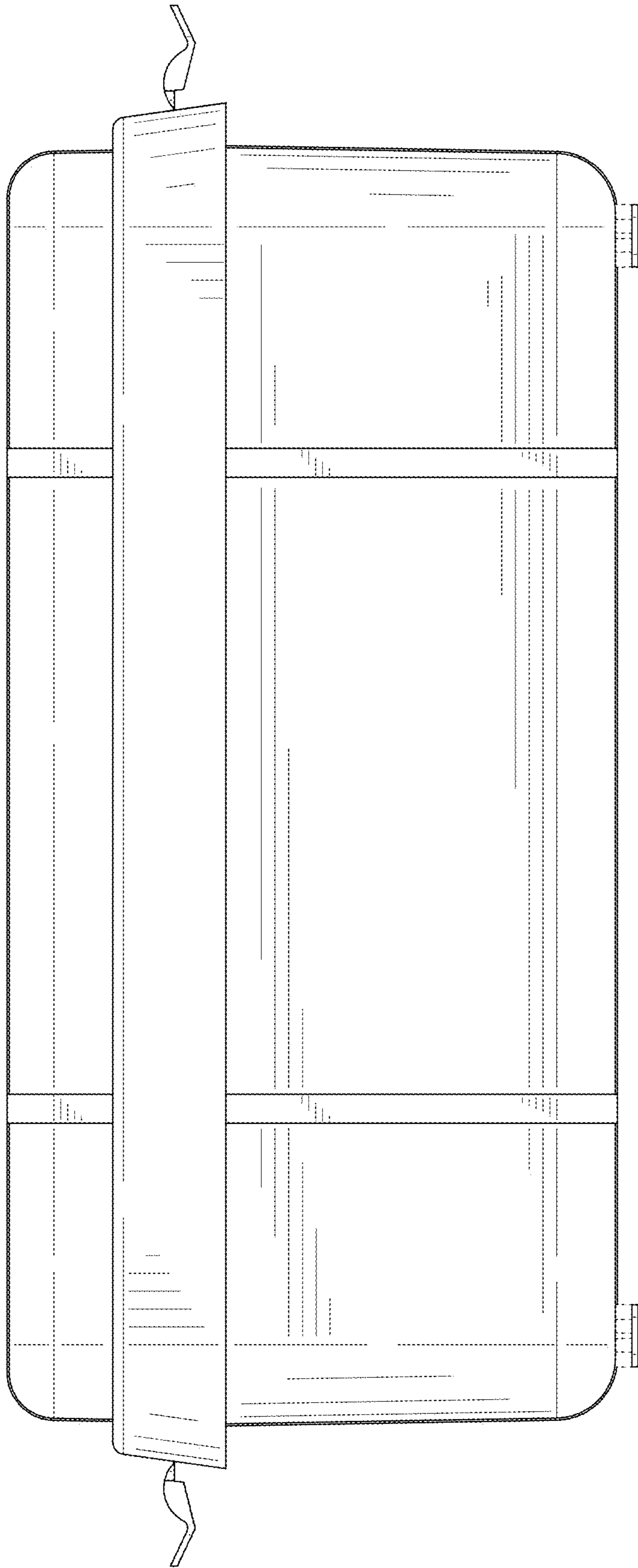


FIG. 4

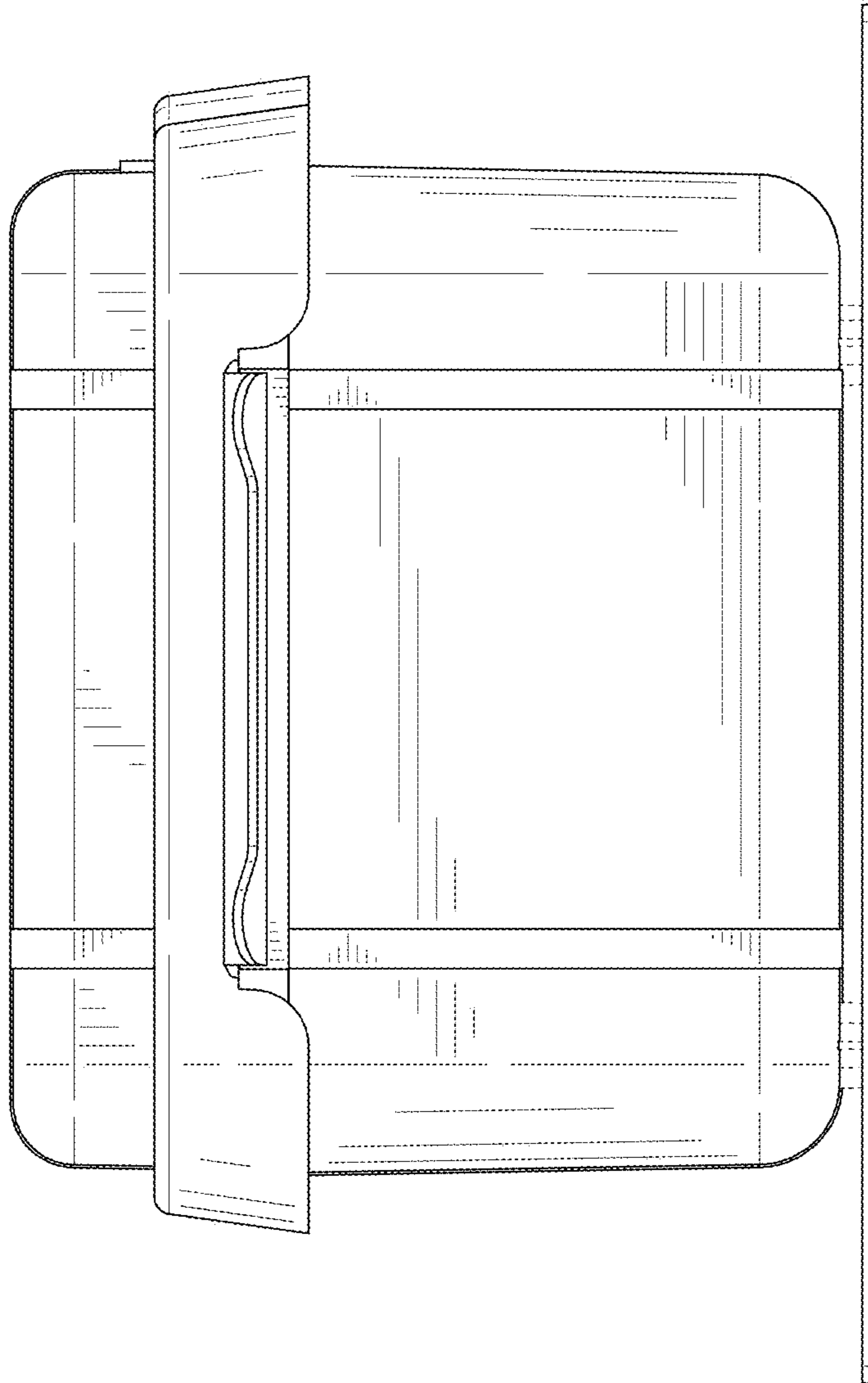


FIG. 5

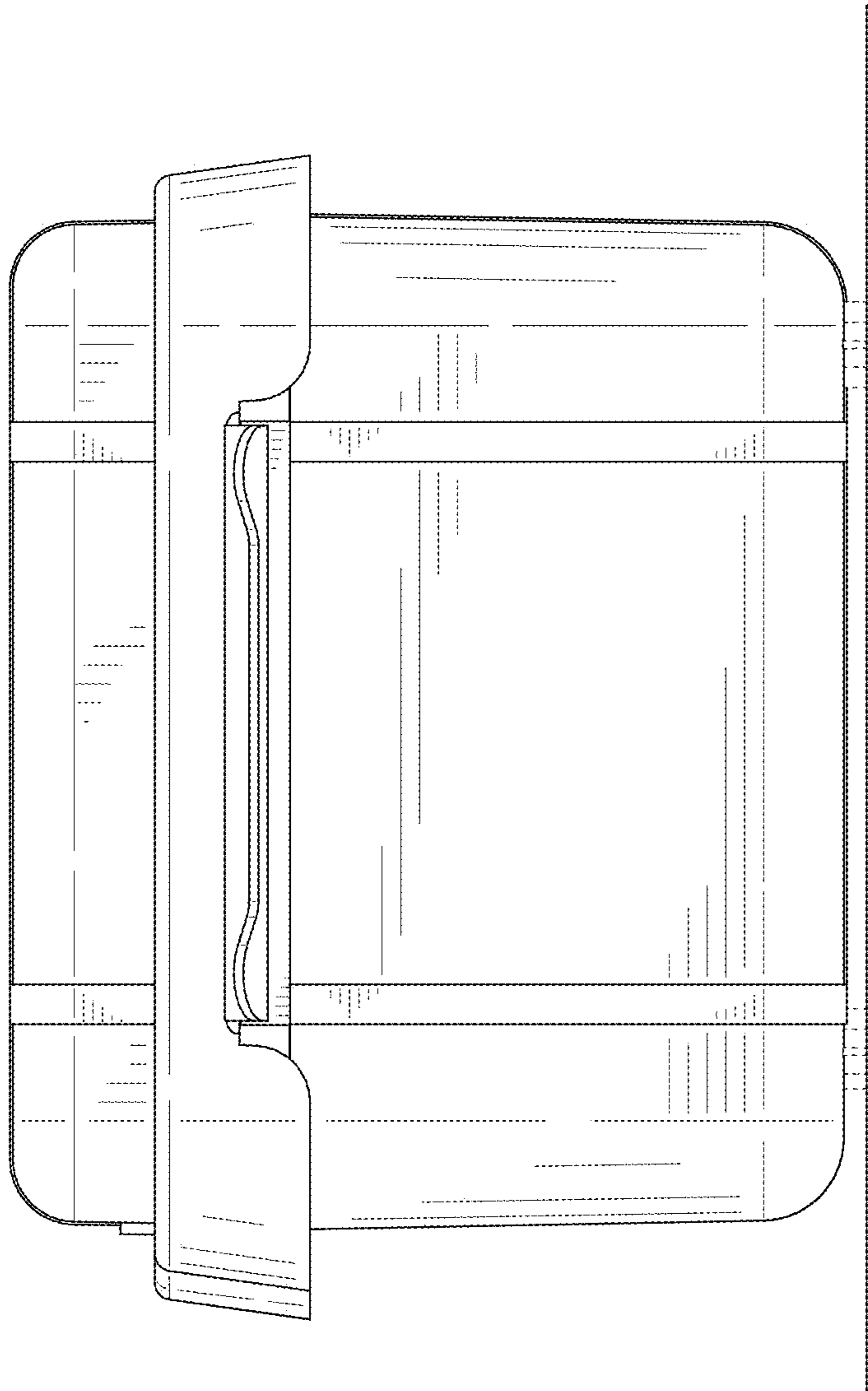


FIG. 6

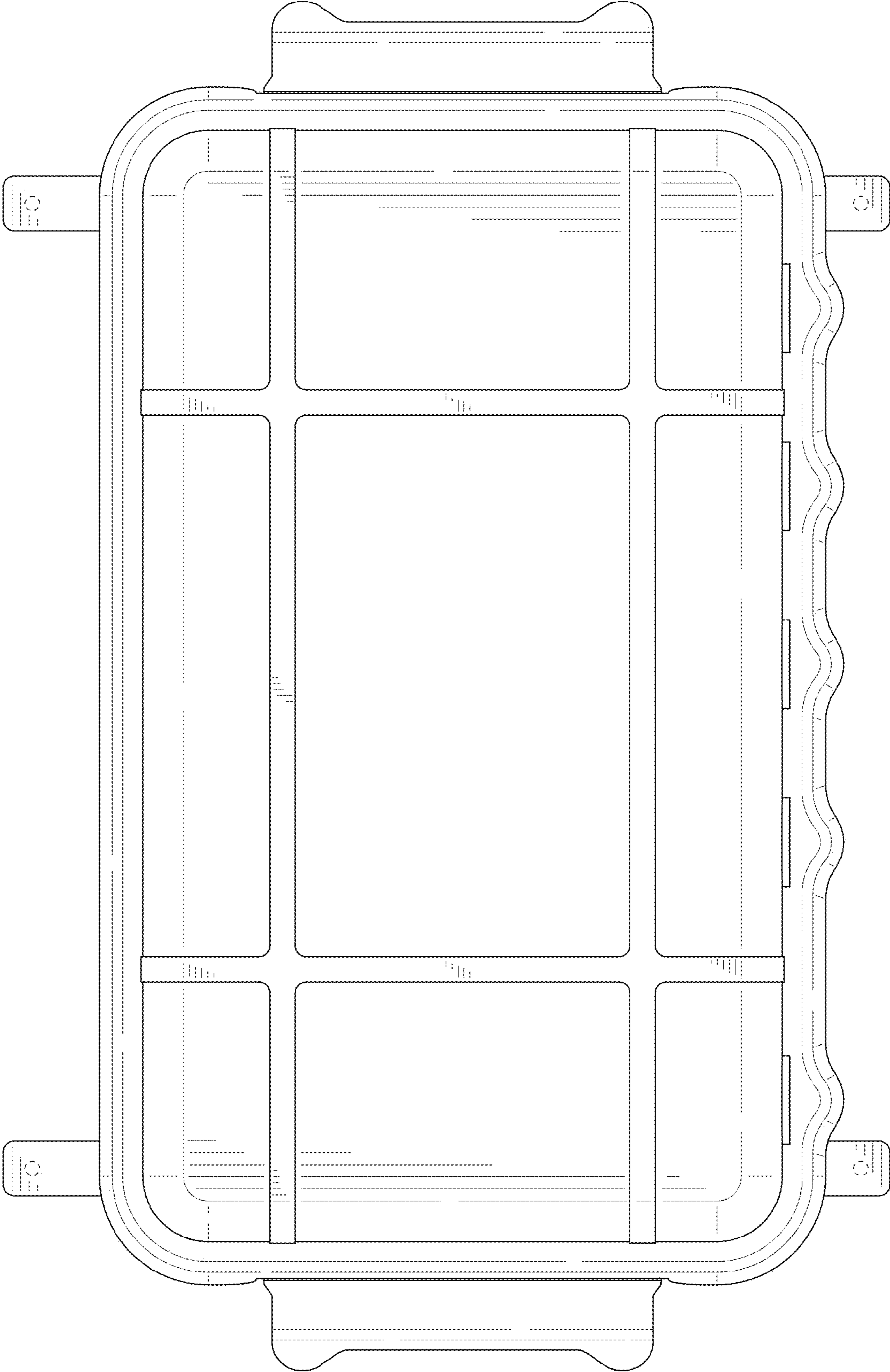


FIG. 7

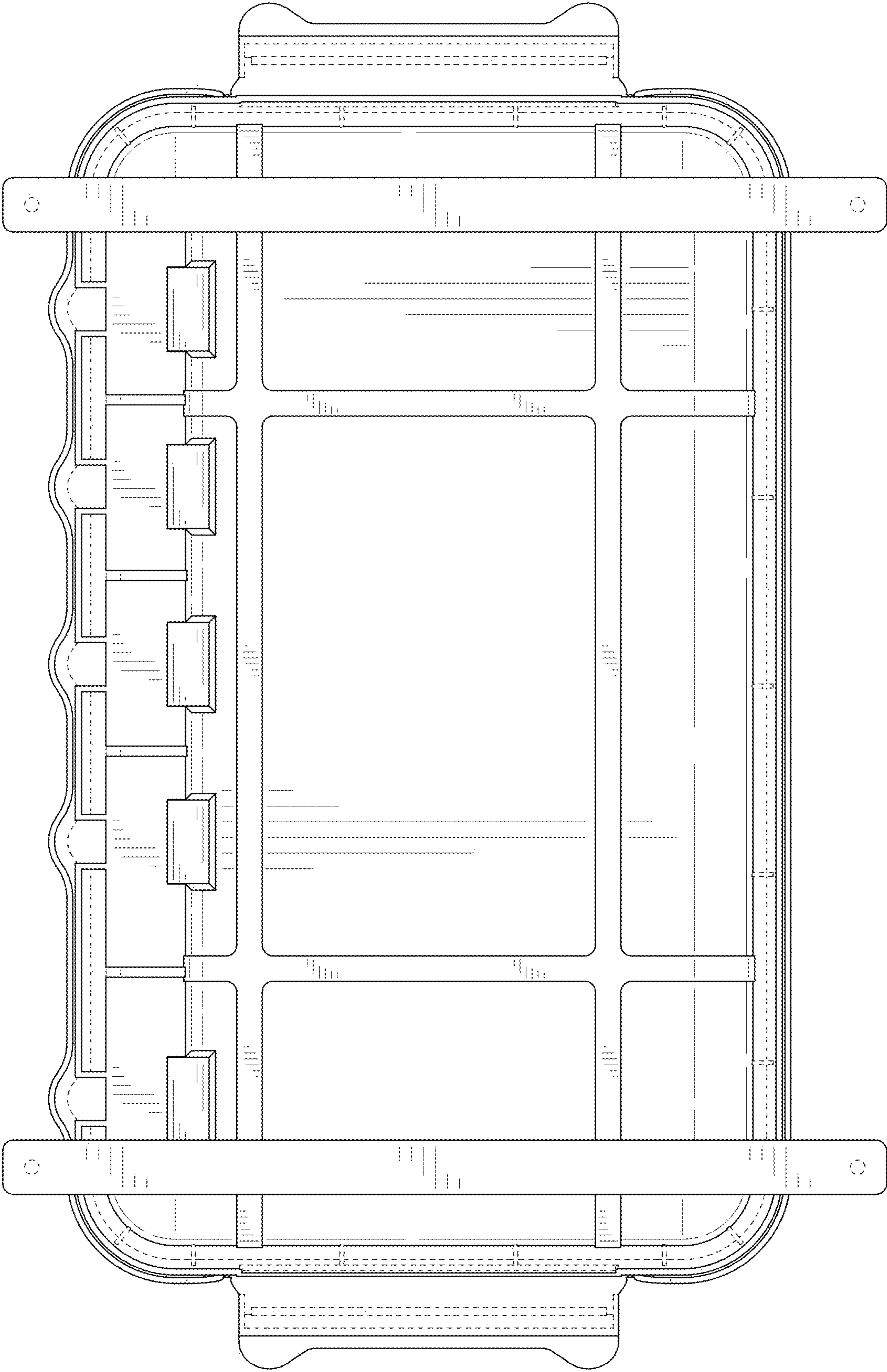


FIG. 8

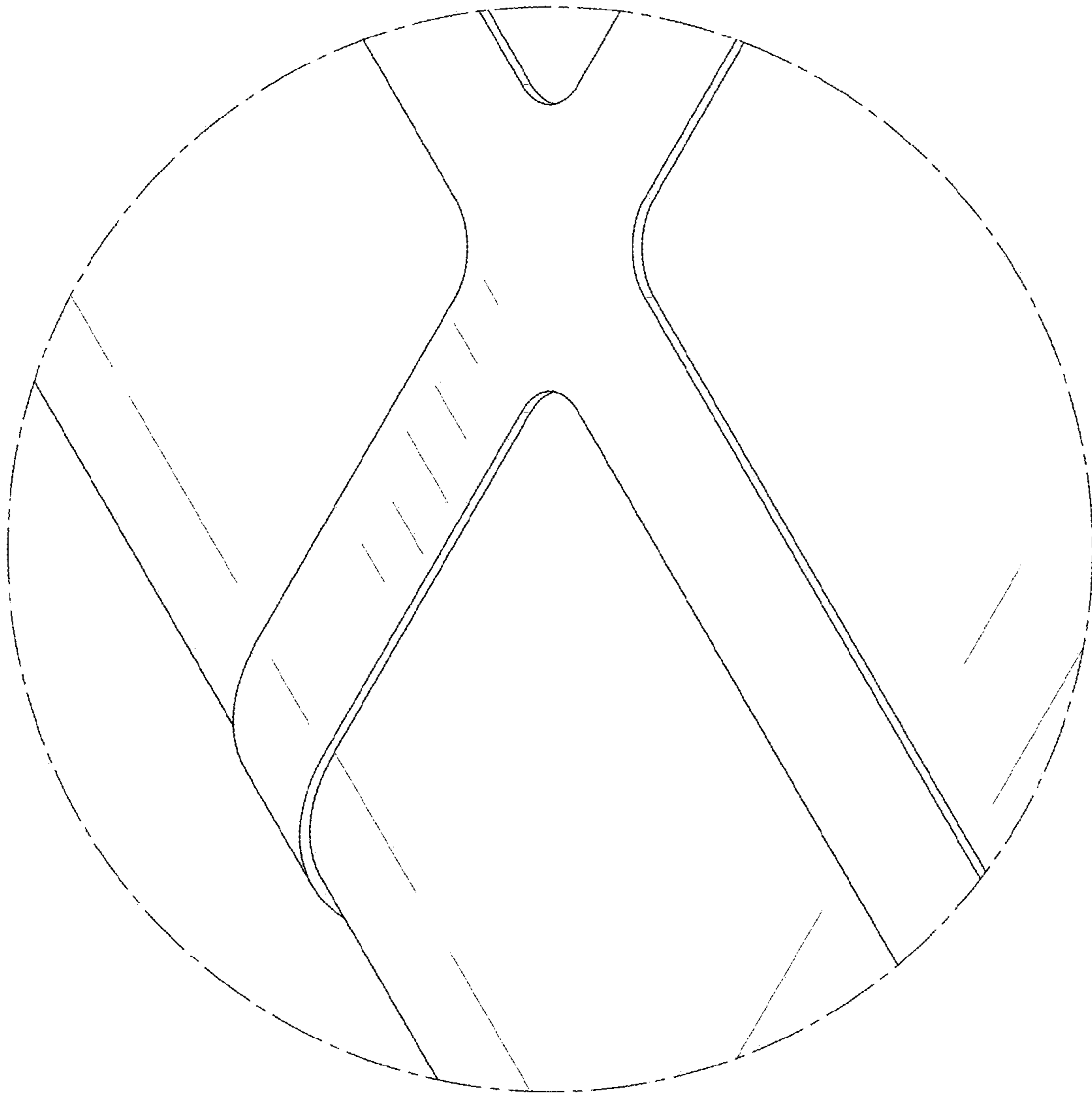


FIG. 9