



US00D964942S

(12) **United States Design Patent** (10) **Patent No.:** **US D964,942 S**  
**Zhang et al.** (45) **Date of Patent:** **\*\* Sep. 27, 2022**

(54) **ELECTRICAL CONNECTOR HOUSING WITH ASYMMETRIC RECTANGULAR HOT TERMINAL EDGE SLOTS**

D555,597 S 11/2007 Phung et al.  
D741,554 S 10/2015 Moreau et al.  
9,559,475 B1 1/2017 Shaeffer et al.  
D778,508 S 2/2017 Moreau et al.  
9,966,713 B1 5/2018 Shaeffer et al.  
D823,814 S 7/2018 Buck et al.  
D834,475 S 11/2018 Rode et al.  
D842,246 S \* 3/2019 Gan ..... D13/112  
D845,246 S \* 4/2019 Zhang ..... D13/147

(71) Applicant: **Eaton Intelligent Power Limited**,  
Dublin (IE)

(72) Inventors: **George Zhang**, Shanghai (CN); **Alex Zhuang**, Shanghai (CN); **Dai Vo**, McDonough, GA (US)

(73) Assignee: **Eaton Intelligent Power Limited**,  
Dublin (IE)

(\*\*) Term: **15 Years**

(21) Appl. No.: **29/749,731**

(22) Filed: **Sep. 9, 2020**

**Related U.S. Application Data**

(62) Division of application No. 29/680,061, filed on Feb. 13, 2019, now Pat. No. Des. 898,677, which is a division of application No. 29/572,225, filed on Jul. 26, 2016, now Pat. No. Des. 845,246.

(51) **LOC (13) Cl.** ..... **13-03**

(52) **U.S. Cl.**  
USPC ..... **D13/147**

(58) **Field of Classification Search**  
USPC ..... D13/103, 107, 110, 112, 118, 120, 121, D13/123, 133, 137.1, 145-147, 149-156, D13/158, 173, 177, 184, 199, 242; D14/240, 242, 432-435, 435.1, 436-438  
CPC ..... H01R 13/00; H01R 13/05; H01R 13/44; H01R 13/52; H01R 13/627; H01R 13/66; H01R 24/66; H01R 24/86; H01R 27/00; H01R 33/00; H01R 43/26  
See application file for complete search history.

(56) **References Cited**

**U.S. PATENT DOCUMENTS**

4,936,795 A 6/1990 Kawai et al.  
6,447,302 B1 9/2002 Davis

**OTHER PUBLICATIONS**

TE Connectivity. Rugged Fiber Optics for Harsh Environments. No date specified. [https://www.te.com/commerce/DocumentDelivery/DDEController?Action=srchtrv&DocNm=9-1773456-9\\_fiberoptics&DocType=DS&DocLang=EN](https://www.te.com/commerce/DocumentDelivery/DDEController?Action=srchtrv&DocNm=9-1773456-9_fiberoptics&DocType=DS&DocLang=EN) (Year: 0).\*

(Continued)

*Primary Examiner* — Darcey E Gottschalk  
(74) *Attorney, Agent, or Firm* — Myers Bigel, P.A.

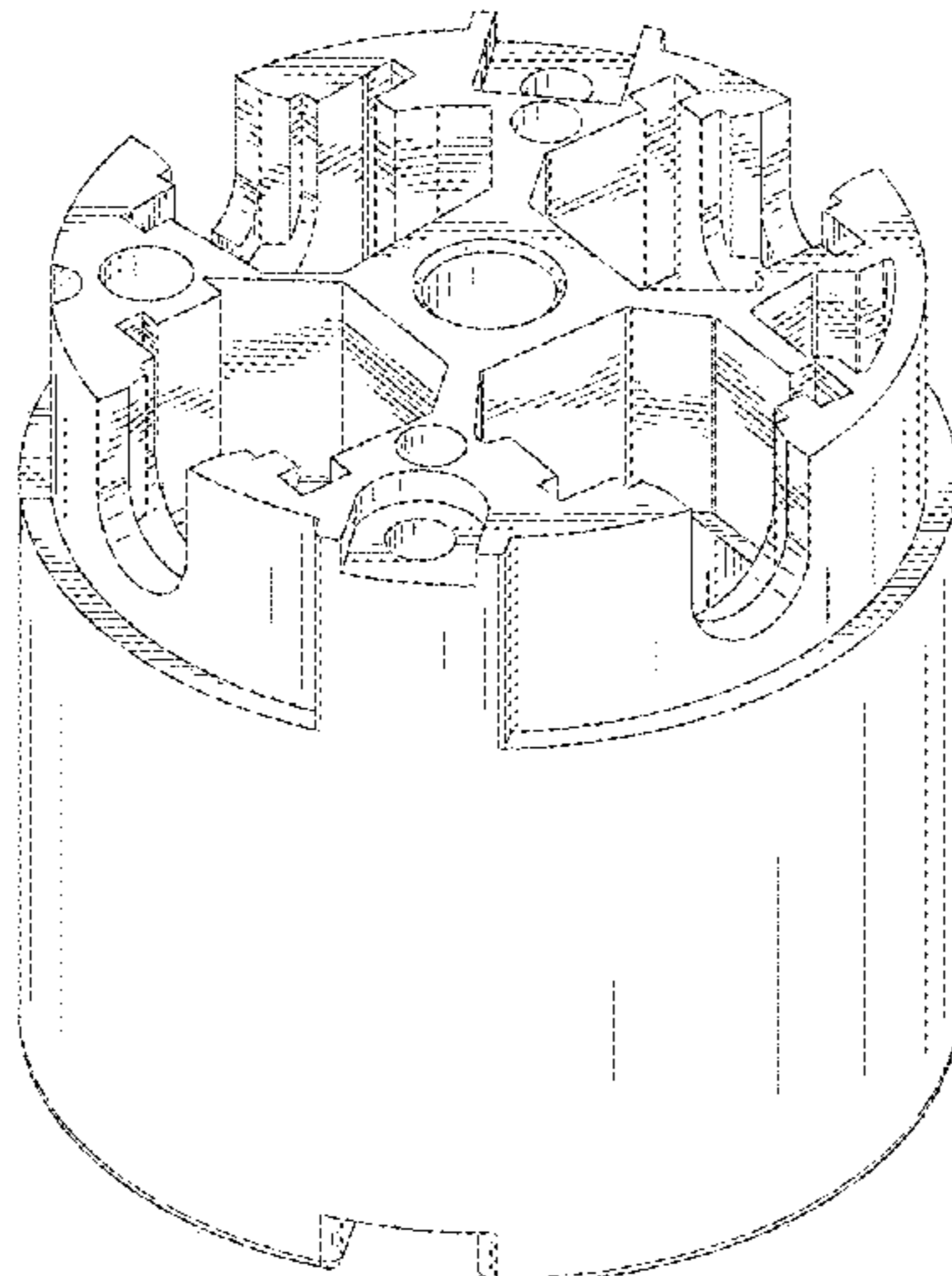
(57) **CLAIM**

The ornamental design for electrical connector housing with asymmetric rectangular hot terminal edge slots, as shown and described.

**DESCRIPTION**

FIG. 1 is a top, side perspective view of an electrical connector housing with asymmetric rectangular hot terminal edge slots showing our design; FIG. 2-FIG. 5 are different side views thereof; FIG. 6 is a top view thereof; and, FIG. 7 is a bottom view thereof. In FIG. 6, the circular broken line feature shows a portion of an electrical connector housing with asymmetric rectangular hot terminal edge slots that forms no part of the claim.

**1 Claim, 7 Drawing Sheets**



(56)

References Cited

U.S. PATENT DOCUMENTS

D845,250 S \* 4/2019 Covell ..... D13/154  
 10,297,956 B2 5/2019 Abouklassesem et al.  
 10,418,756 B2 9/2019 Fennen et al.  
 10,476,199 B2 11/2019 Kim et al.  
 10,541,501 B2 1/2020 Hutchison et al.  
 D876,360 S \* 2/2020 Obata ..... D13/133  
 D877,088 S 3/2020 Musser et al.  
 D880,074 S 3/2020 Proctor et al.  
 D884,648 S \* 5/2020 Gassner ..... D13/147  
 D898,677 S \* 10/2020 Zhang ..... D13/154  
 D900,751 S \* 11/2020 Smajda ..... D13/146  
 D900,755 S \* 11/2020 Kurita ..... D13/154  
 D901,398 S \* 11/2020 Danesh ..... D13/152  
 D915,292 S \* 4/2021 Corona ..... D13/147  
 D915,299 S \* 4/2021 Wu ..... D13/154  
 D922,332 S \* 6/2021 Medhin ..... D13/154  
 D927,430 S \* 8/2021 Cohen ..... D13/184

D943,532 S \* 2/2022 Zhang ..... D13/133  
 D945,369 S \* 3/2022 Zhang ..... D13/133  
 2011/0228563 A1 9/2011 Dhenaut et al.  
 2013/0137310 A1 5/2013 Genau  
 2014/0017910 A1 1/2014 Gerling  
 2017/0077634 A1 3/2017 Markefka  
 2020/0235488 A1 \* 7/2020 Lin ..... H01Q 21/0031  
 2020/0381854 A1 \* 12/2020 Zou ..... H01R 13/428  
 2021/0044051 A1 \* 2/2021 Regnier ..... H01R 13/04  
 2021/0159679 A1 \* 5/2021 Kidane ..... H02G 3/0456

OTHER PUBLICATIONS

Technical Data, Industrial grade straight blade quick grip devices,  
 www.arrowhart.com (3 pages) (Jan. 2014).  
 The Home Depot "Electrical Plugs & Connectors" No date specified.  
<https://www.homedepot.com/b/Electrical-Wiring-Devices-Light-Controls-Electrical-Plugs-Connectors/N-5yc1vZc336>.

\* cited by examiner

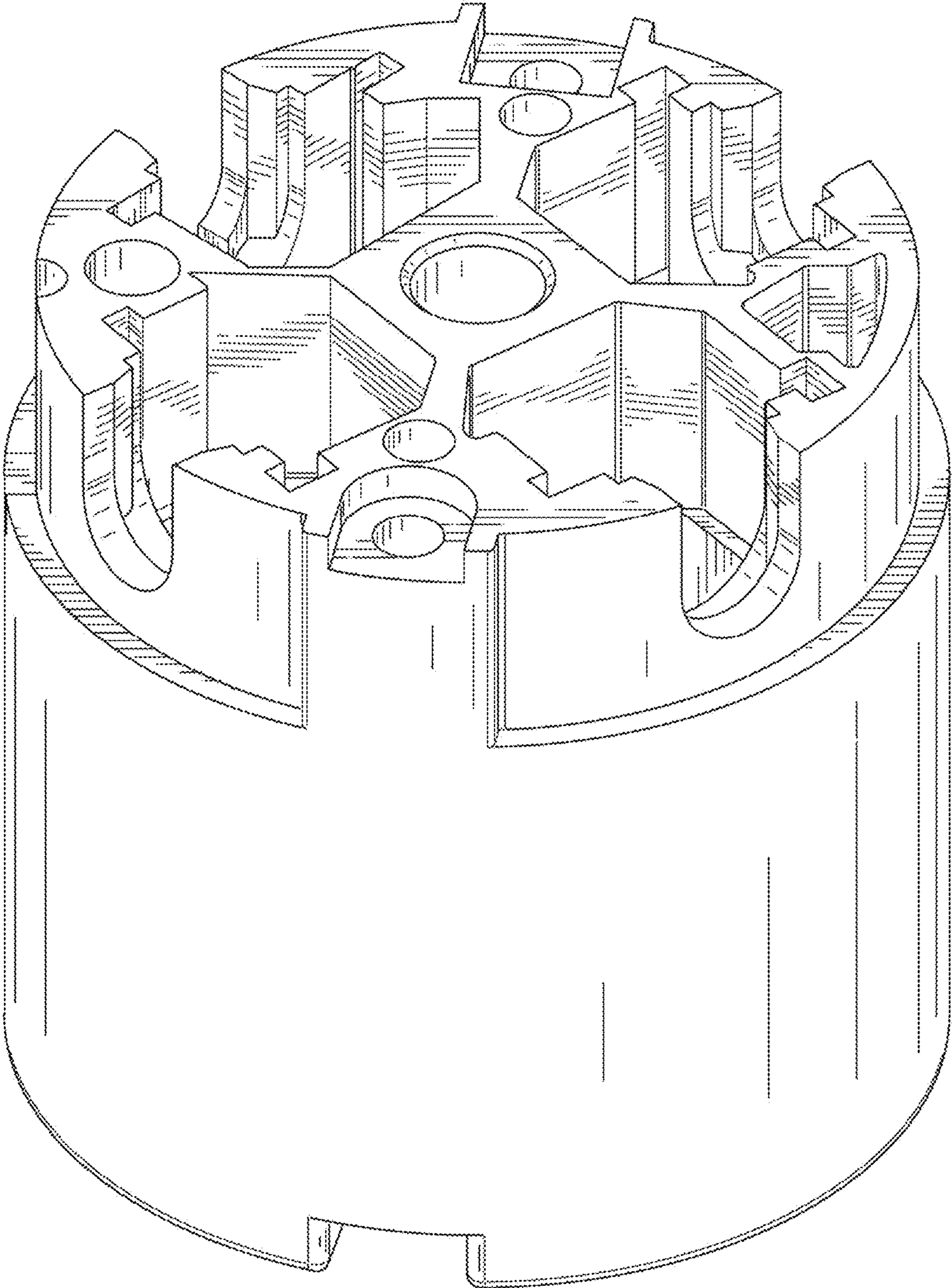


FIG. 1



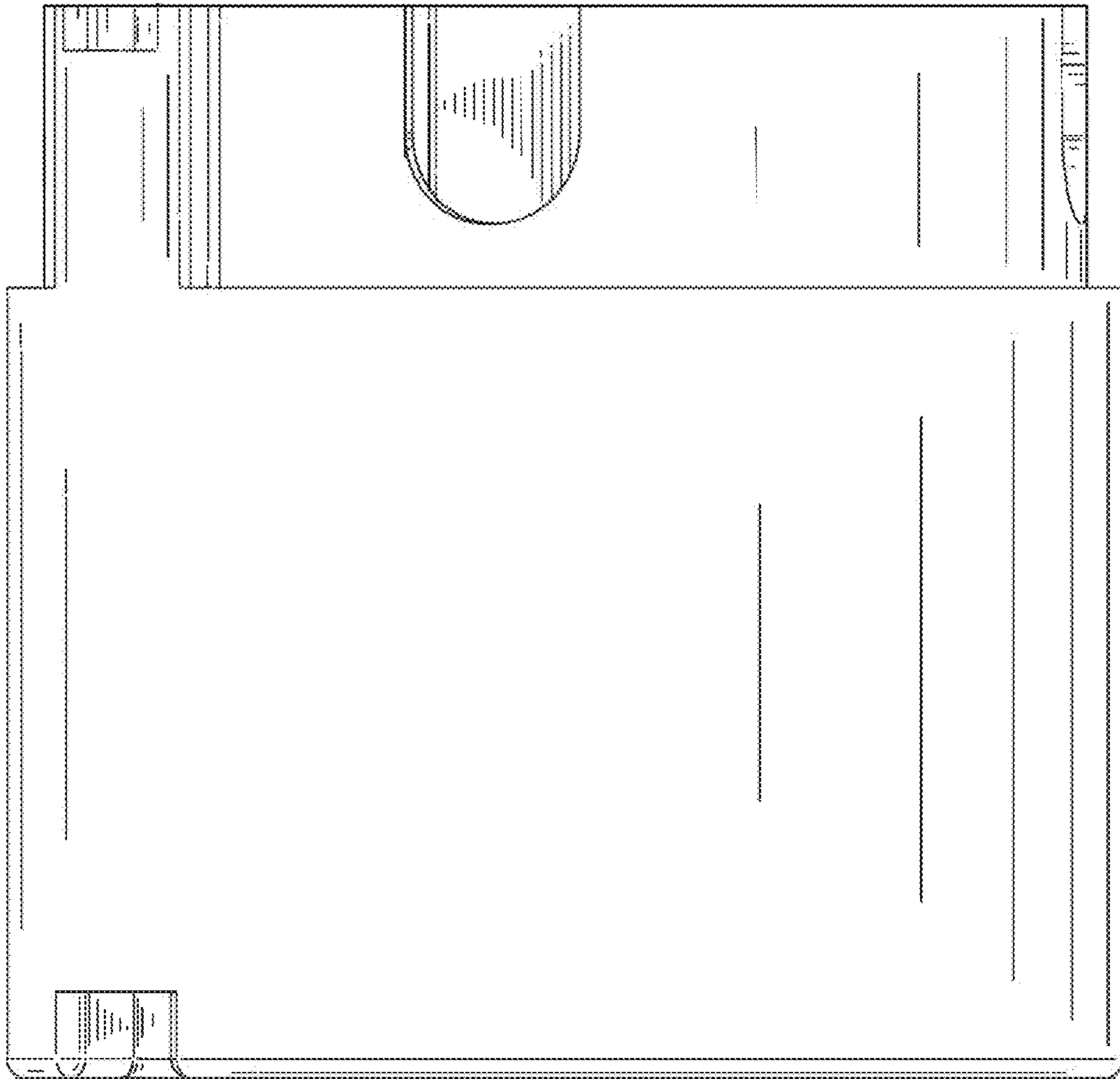


FIG. 2

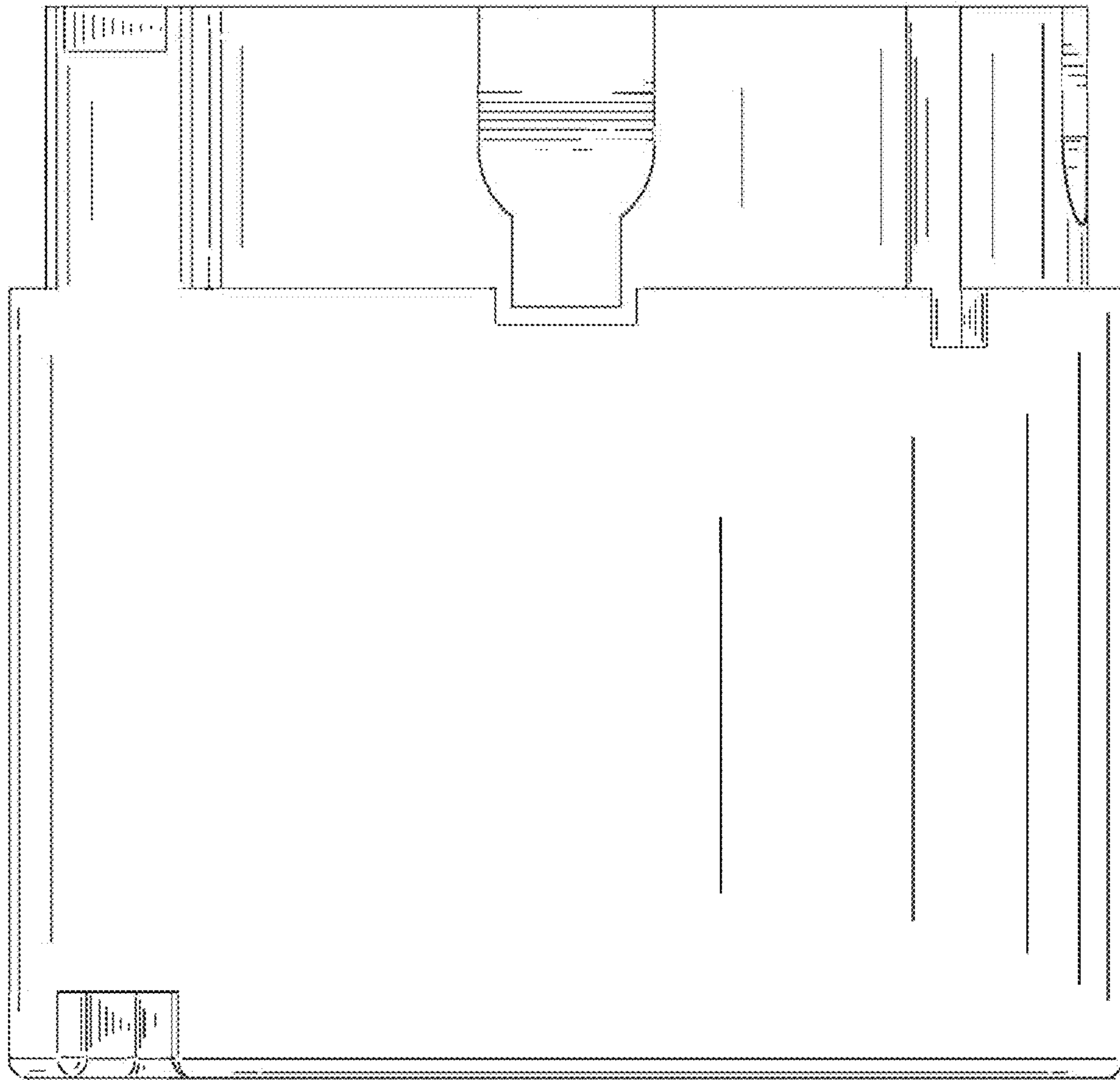


FIG. 3

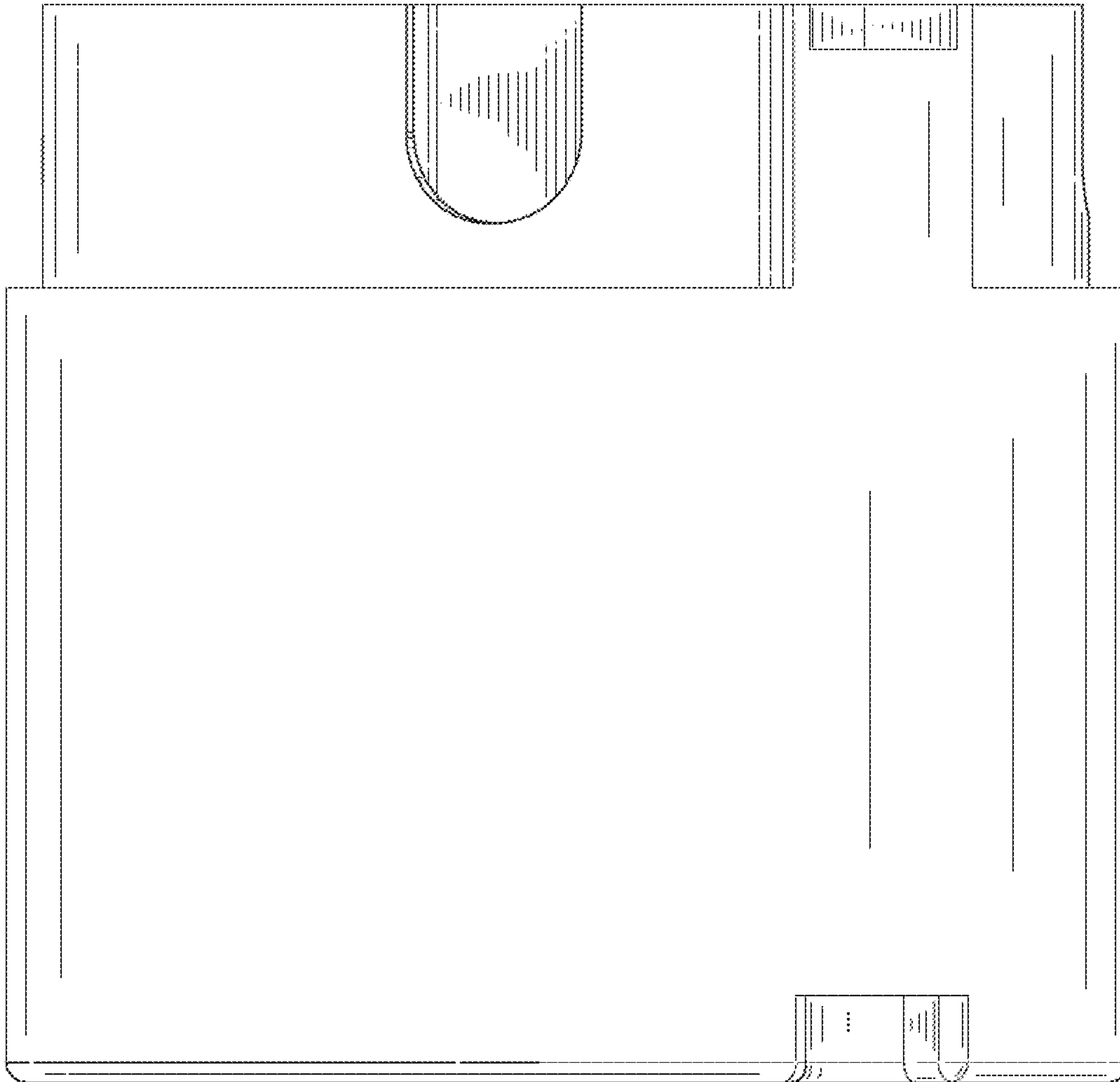


FIG. 4

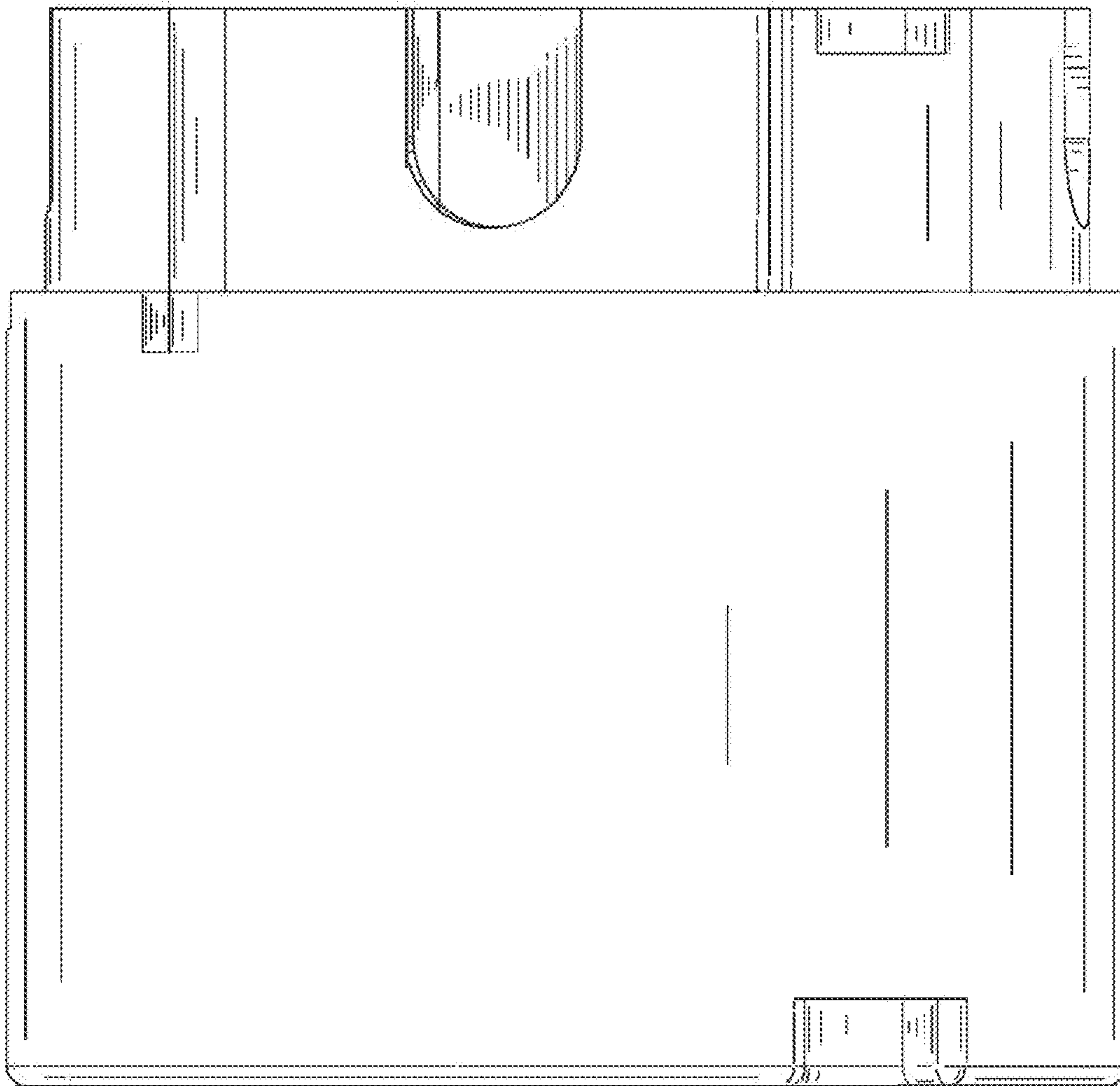


FIG. 5

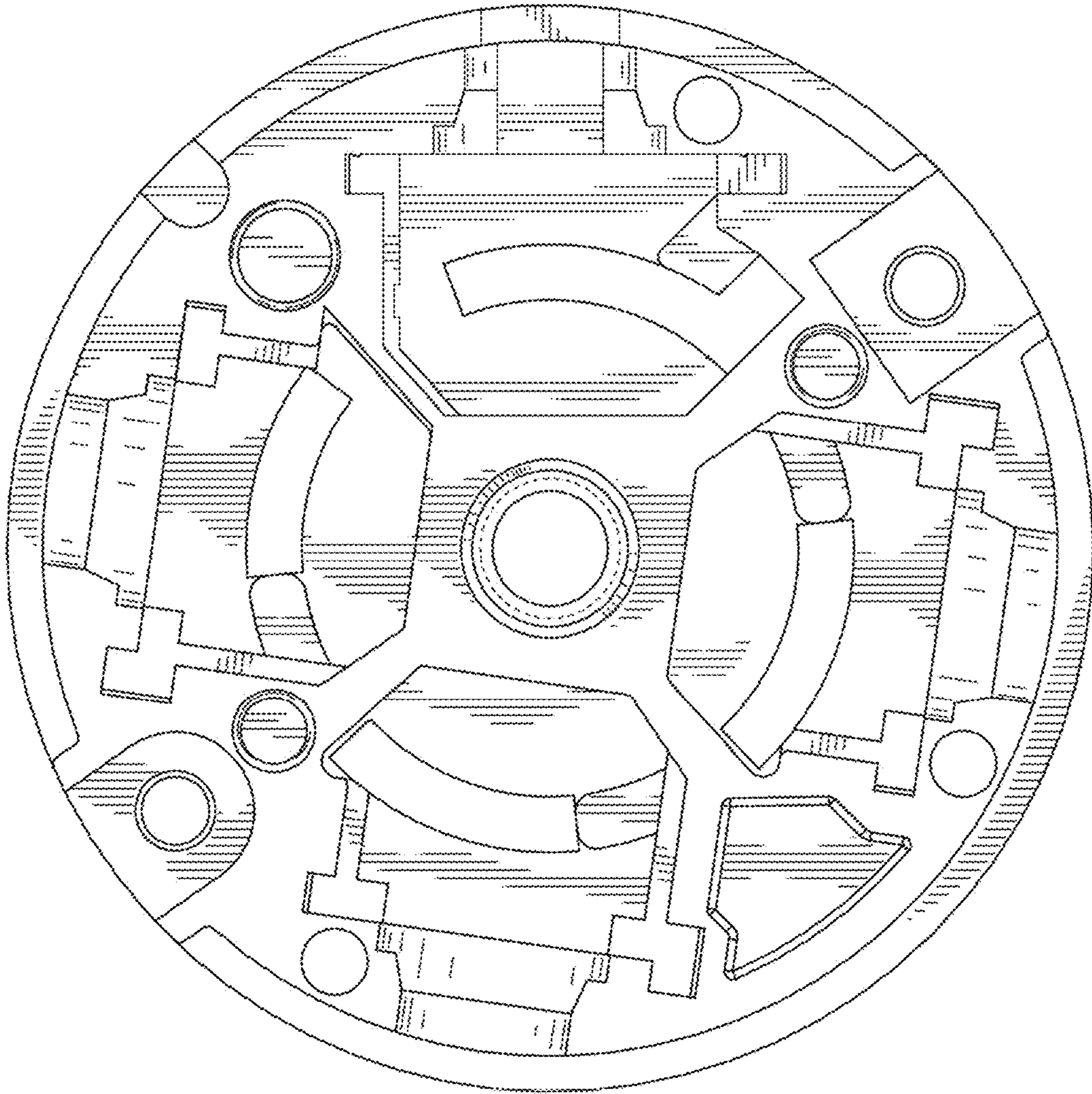


FIG. 6



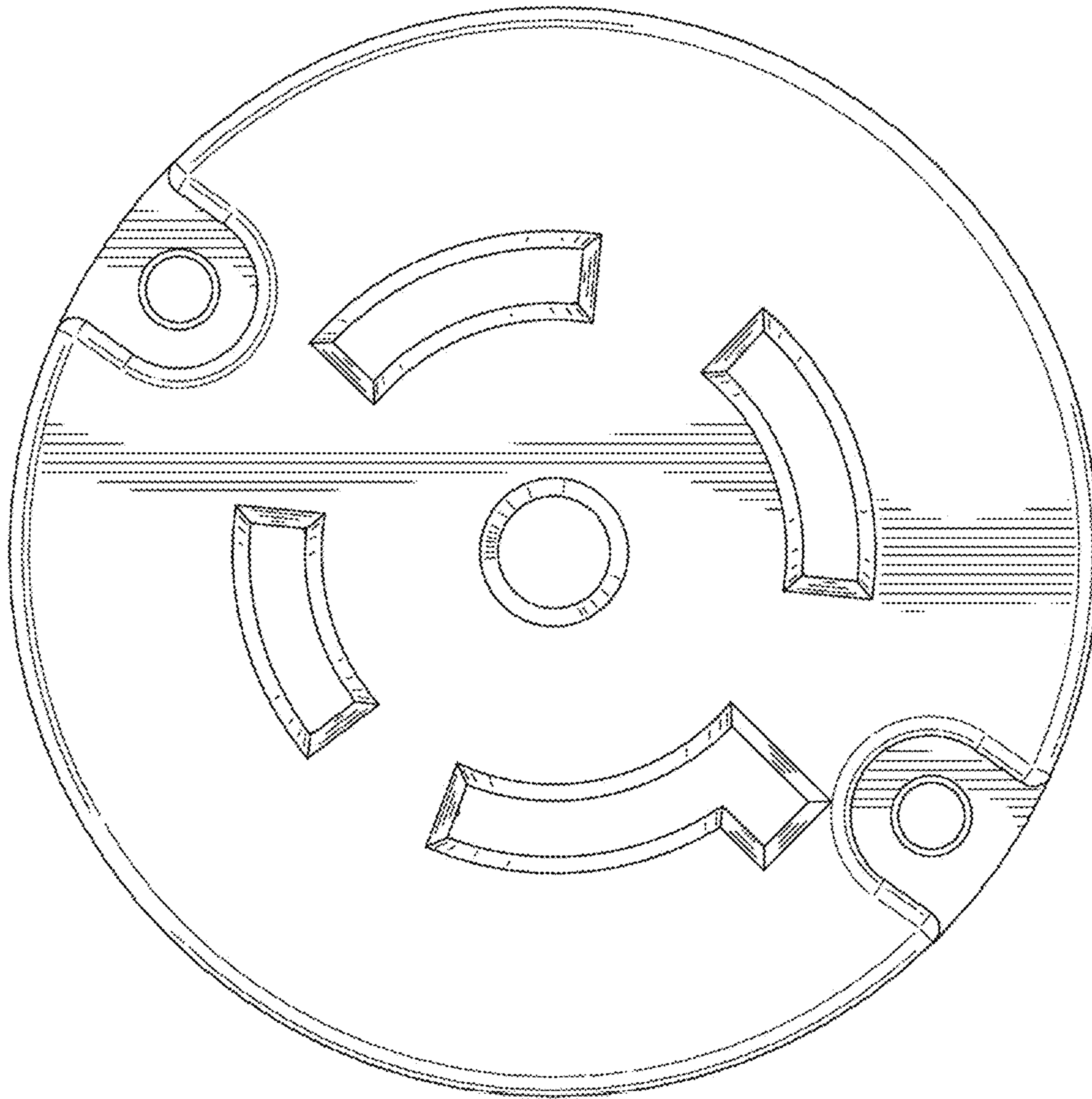


FIG. 7