



US00D964941S

(12) **United States Design Patent**
Chen

(10) **Patent No.: US D964,941 S**

(45) **Date of Patent: ** Sep. 27, 2022**

(54) **SOCKET**

(71) Applicant: **ANHAORUI ELECTRONICS CO., LIMITED**, Hong Kong (CN)

(72) Inventor: **Xinhe Chen**, Shenzhen (CN)

(73) Assignee: **ANHAORUI ELECTRONICS CO., LIMITED**, Hong Kong (CN)

(**) Term: **15 Years**

(21) Appl. No.: **29/831,222**

(22) Filed: **Mar. 18, 2022**

(51) **LOC (13) Cl. 13-03**

(52) **U.S. Cl.**
USPC **D13/139.8**

(58) **Field of Classification Search**
USPC D13/137.1, 137.2, 137.3, 137.4, 138.1,
D13/138.2, 139.1, 139.2, 139.3, 139.4,
D13/139.5, 139.6, 139.7, 139.8
CPC H01R 13/11; H01R 13/518; H01R 13/642;
H01R 13/652; H01R 25/003; H01R
25/006; H01R 43/26; H01H 71/62; H01H
73/14
See application file for complete search history.

(56) **References Cited**

U.S. PATENT DOCUMENTS

D644,180 S *	8/2011	Lee	D13/139.8
D673,503 S *	1/2013	Lee	D13/139.8
D705,732 S *	5/2014	Lee	D13/137.2
D770,976 S *	11/2016	Xu	D13/110
D796,445 S *	9/2017	Xu	D13/139.6
D871,344 S *	12/2019	Lyu	D13/139.8
D878,299 S *	3/2020	Lyu	D13/139.8
D878,300 S *	3/2020	Lyu	D13/139.8
D881,809 S *	4/2020	Lyu	D13/137.2
D881,821 S *	4/2020	Lyu	D13/139.8
D886,742 S *	6/2020	Lyu	D13/137.2
D894,839 S *	9/2020	Chen		
D899,375 S *	10/2020	Bao	D13/137.2

D900,748 S *	11/2020	Chen	D13/137.2
D908,631 S *	1/2021	Yu	D13/137.2
D911,968 S *	3/2021	Li		
D922,953 S *	6/2021	Mei	D13/139.8
D922,954 S *	6/2021	Mei	D13/139.8

(Continued)

FOREIGN PATENT DOCUMENTS

GB	6090783	*	5/2020
GB	6097887	*	8/2020
GB	6115167	*	9/2020

OTHER PUBLICATIONS

“Power Strip Surge Protector with USB, 8 Widely Outlets 4 USB Ports 5Ft Extension Cord with Flat Plug, 3 Sided Wall Outlets Extender USB Desktop Charging Station for Home Office Travel, 900J, ETL”, first available Nov. 13, 2021. Amazon.com [https://www.amazon.com/dp/B09HXFN9G3] (Year: 2021).*

(Continued)

Primary Examiner — Rosemary K Tarcza
Assistant Examiner — Seth David Kumpf

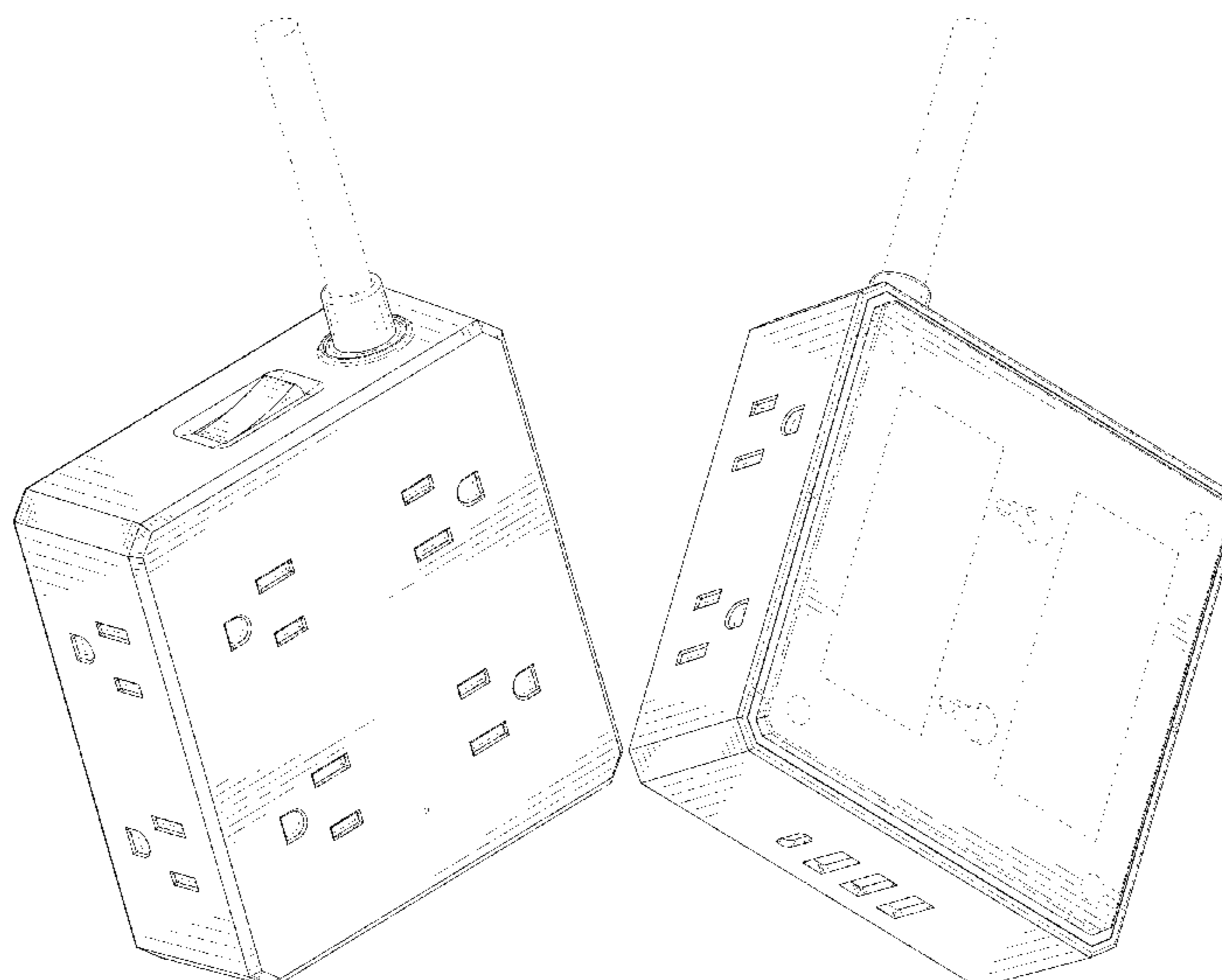
(57) **CLAIM**

The ornamental design for a socket, as shown and described.

DESCRIPTION

FIG. 1 is a perspective view of a socket showing my new design;
FIG. 2 is another perspective view thereof;
FIG. 3 is a front elevational view thereof;
FIG. 4 is a rear elevational view thereof;
FIG. 5 is a left side elevational view thereof;
FIG. 6 is a right side elevational view thereof;
FIG. 7 is a top plan view thereof; and,
FIG. 8 is a bottom plan view thereof.
The broken lines in the drawings depict portions of the socket that form no part of the claimed design.

1 Claim, 8 Drawing Sheets



(56)

References Cited

U.S. PATENT DOCUMENTS

D922,955 S * 6/2021 Chen D13/139.8
D924,809 S * 7/2021 Chen D13/137.2
D930,946 S * 9/2021 Chen D1/100
D941,774 S * 1/2022 Tao D13/139.6
D944,741 S * 3/2022 Chen D13/137.2
D947,781 S * 4/2022 Wei D13/137.2
D948,451 S * 4/2022 Wang D13/139.8
D948,452 S * 4/2022 Wu D13/139.8
D954,650 S * 6/2022 Amoss D13/137.2
D957,342 S * 7/2022 Zhou D13/137.2
D958,082 S * 7/2022 Lin D13/139.7

OTHER PUBLICATIONS

“Power Strip with 3 USB Ports, Tessan 5 ft Extension Cord Flat Plug with 4 Outlets, Overload Protection Indoor Desk Charging Station, Mountable Compact for Travel, Cruise Ship, and Dorm Essentials”, first available Oct. 30, 2019. Amazon.com [<https://www.amazon.com/dp/B07ZRDGF6Y>] (Year: 2019).*

“Power Strip with USB, Tessan Flat Plug Extension Cord Wall Mountable, Small Compact Size for Home Office, Gray”, first available Nov. 19, 2021. Amazon.com [<https://www.amazon.com/dp/B09M89L9FT>] (Year: 2021).*

“Surge Protector Power Strip, Hanycony 8 Wide Outlets with 4 USB Charging Ports, 3 Side Outlet Extender with 5Ft Braided Extension Cord, Flat Plug, Wall Mount, Desk Charging Station for Home Office ETL”, first available May 31, 2021. Amazon.com [<https://www.amazon.com/dp/B092J8LPWR>] (Year: 2021).*

* cited by examiner

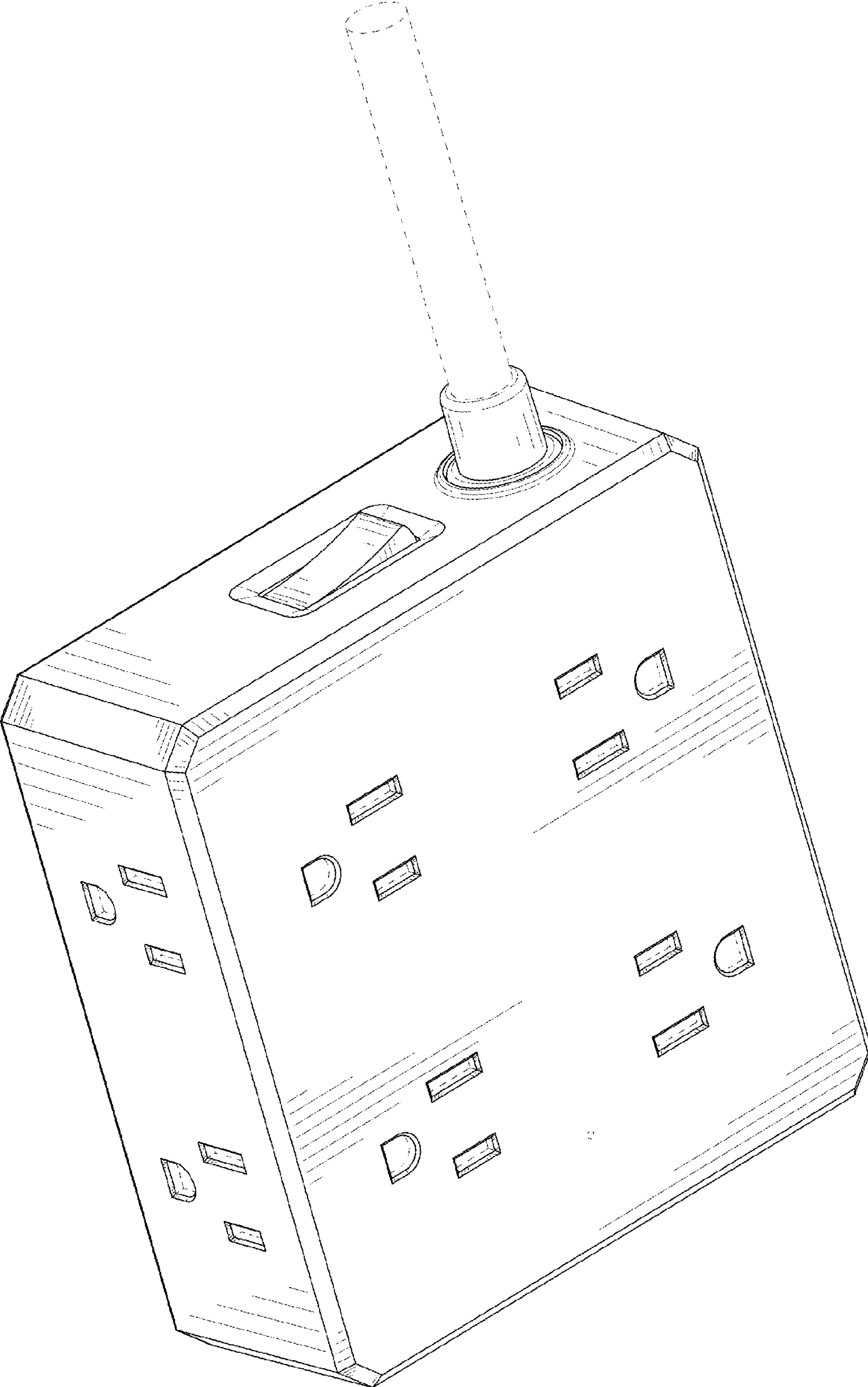


FIG. 1

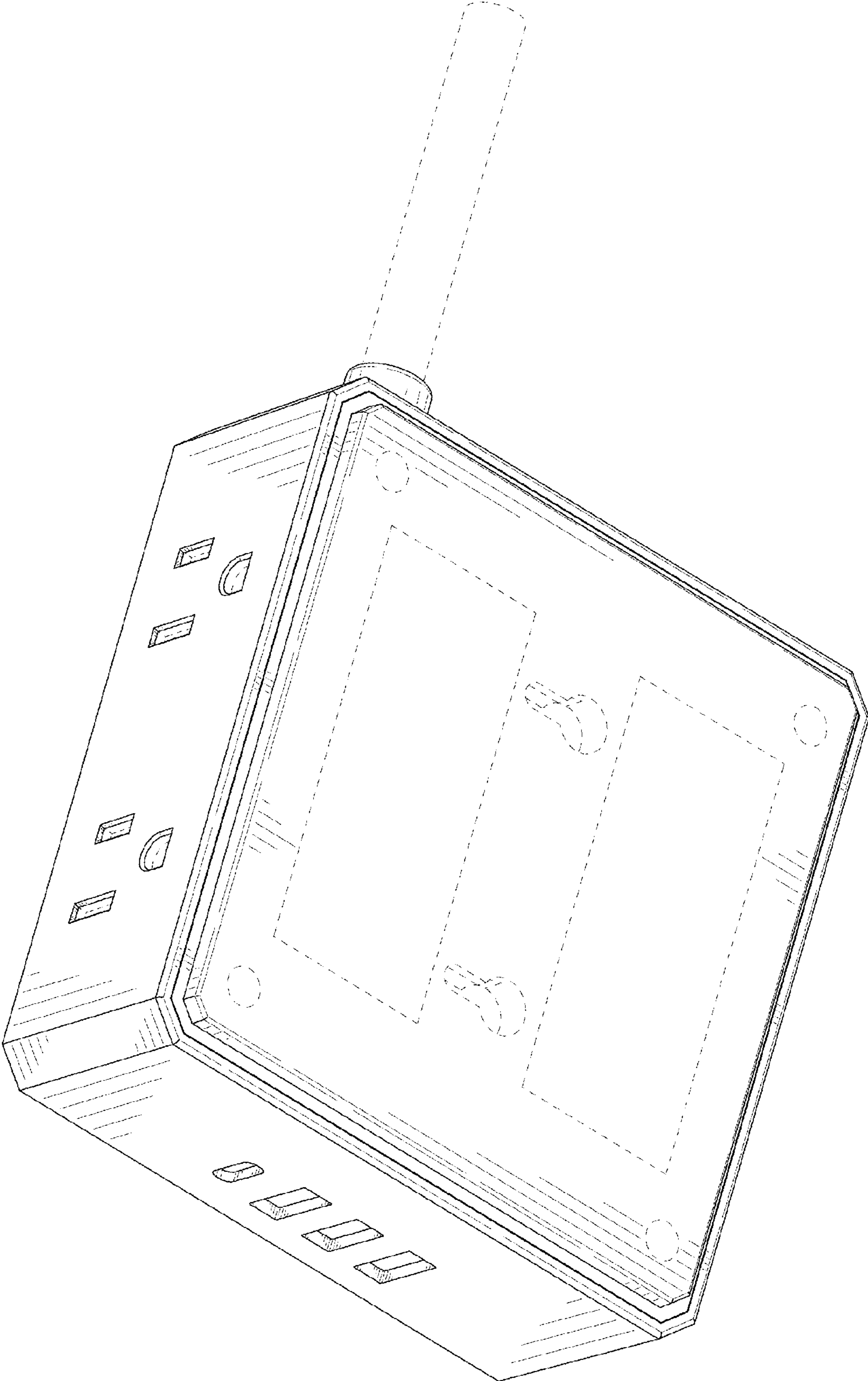


FIG. 2

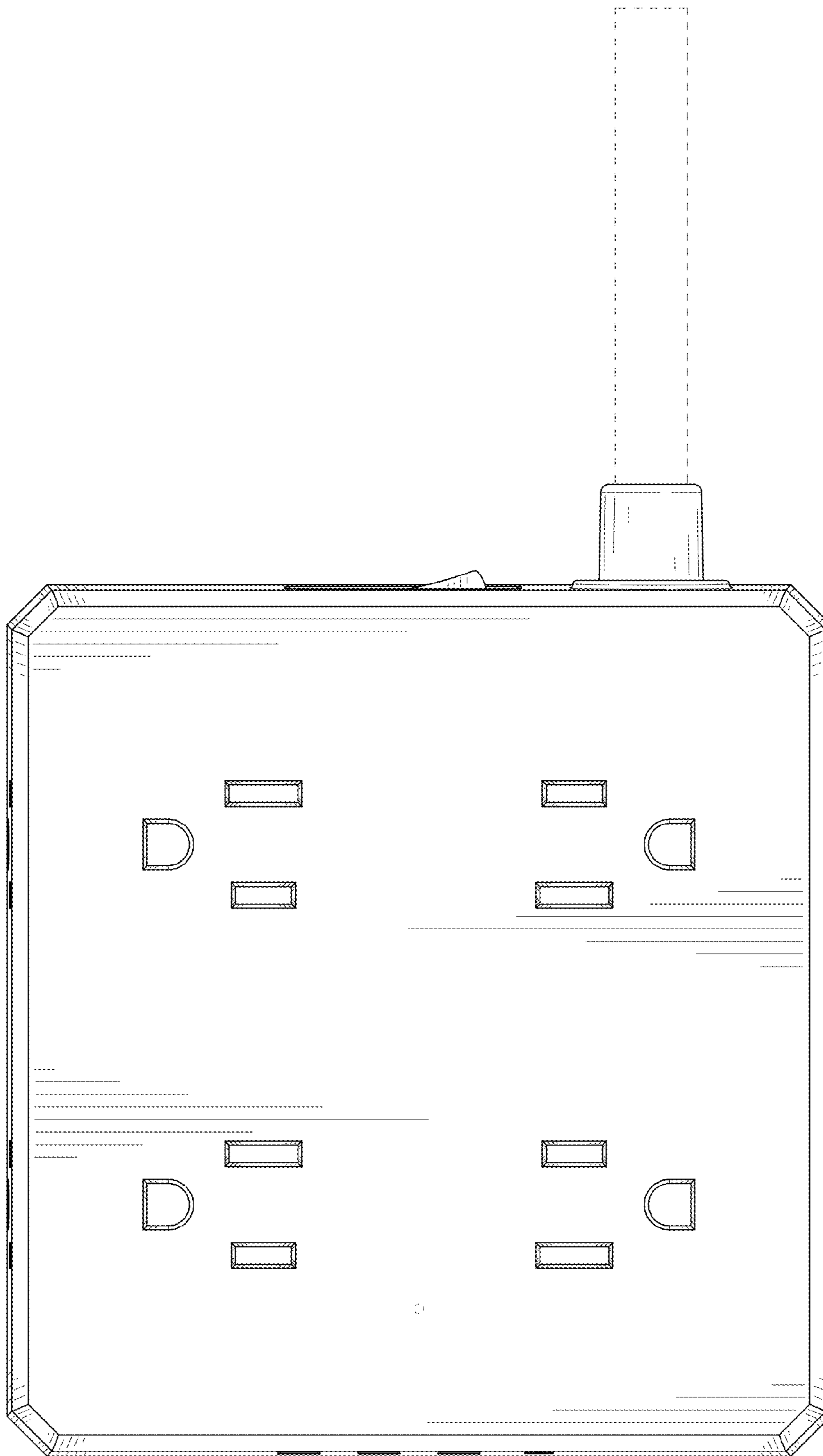


FIG. 3

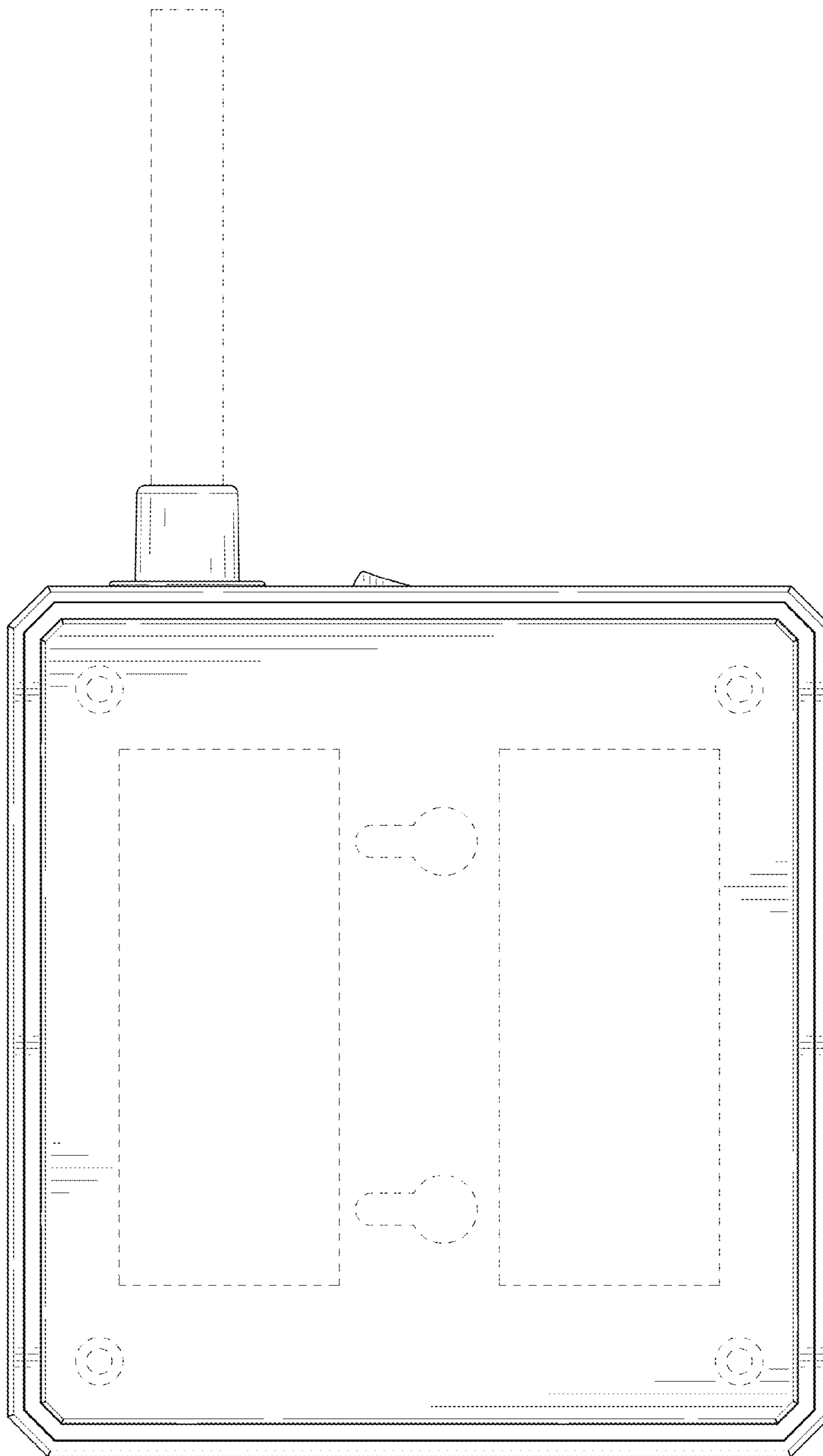


FIG. 4

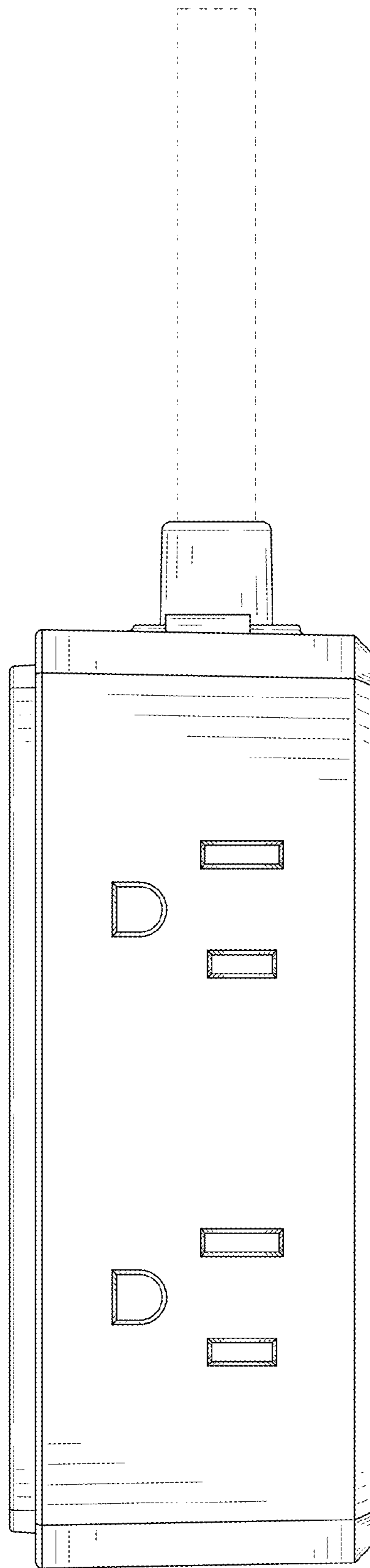


FIG. 5

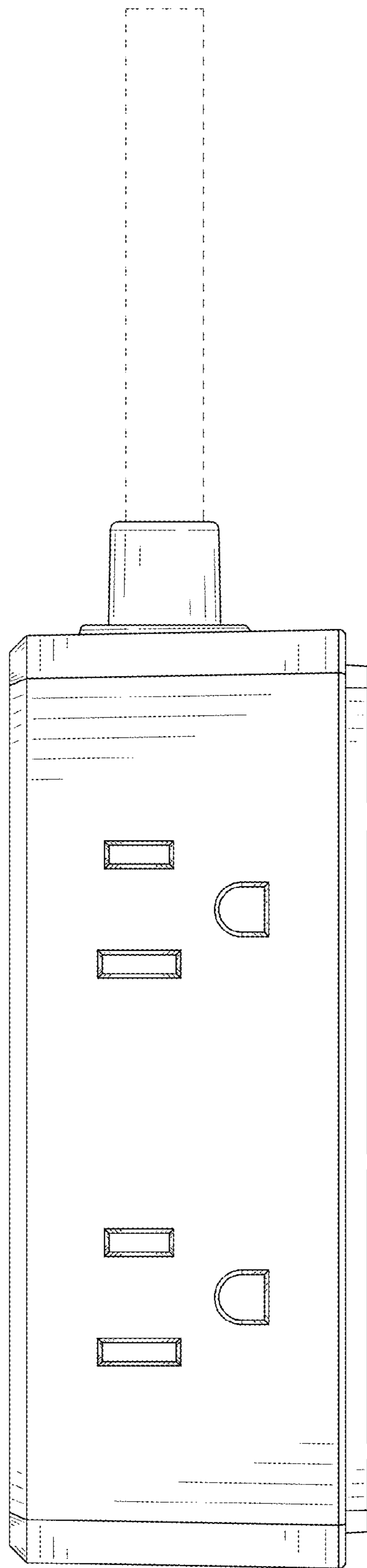


FIG. 6

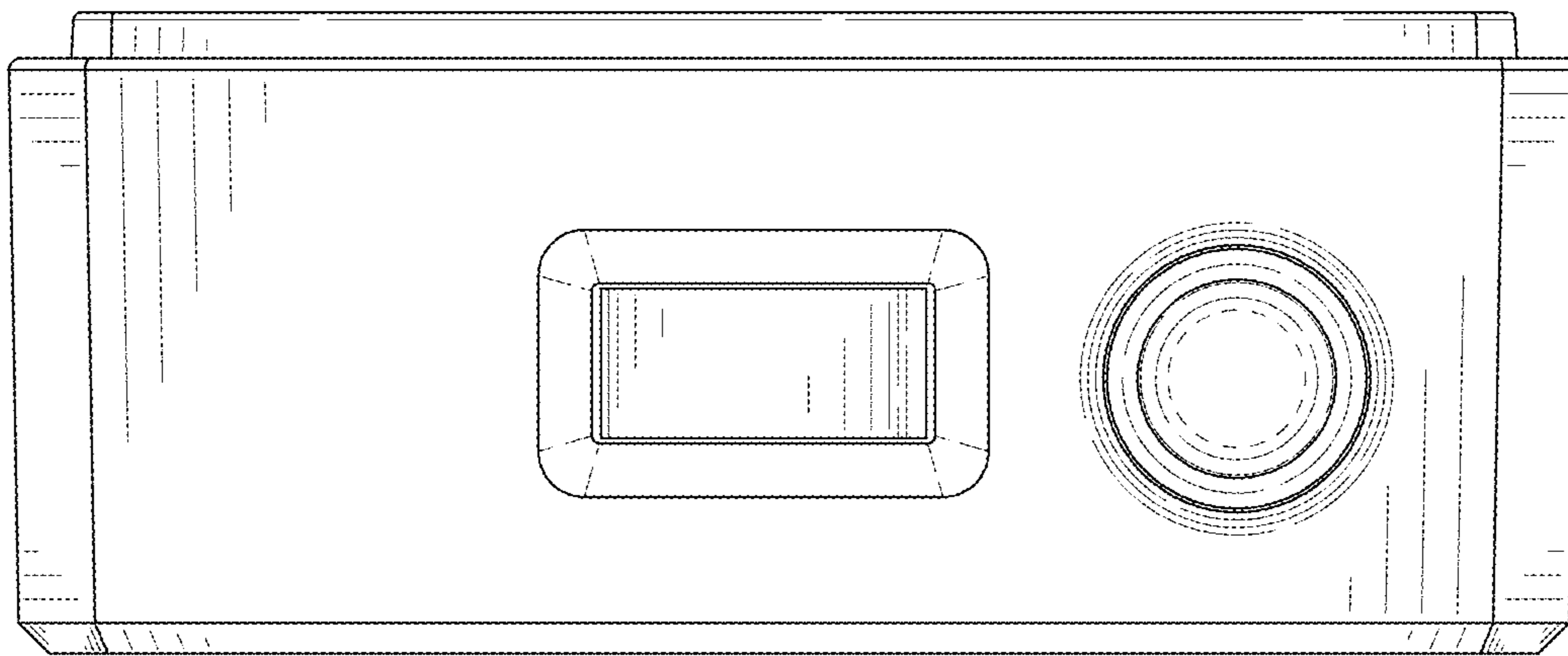


FIG. 7

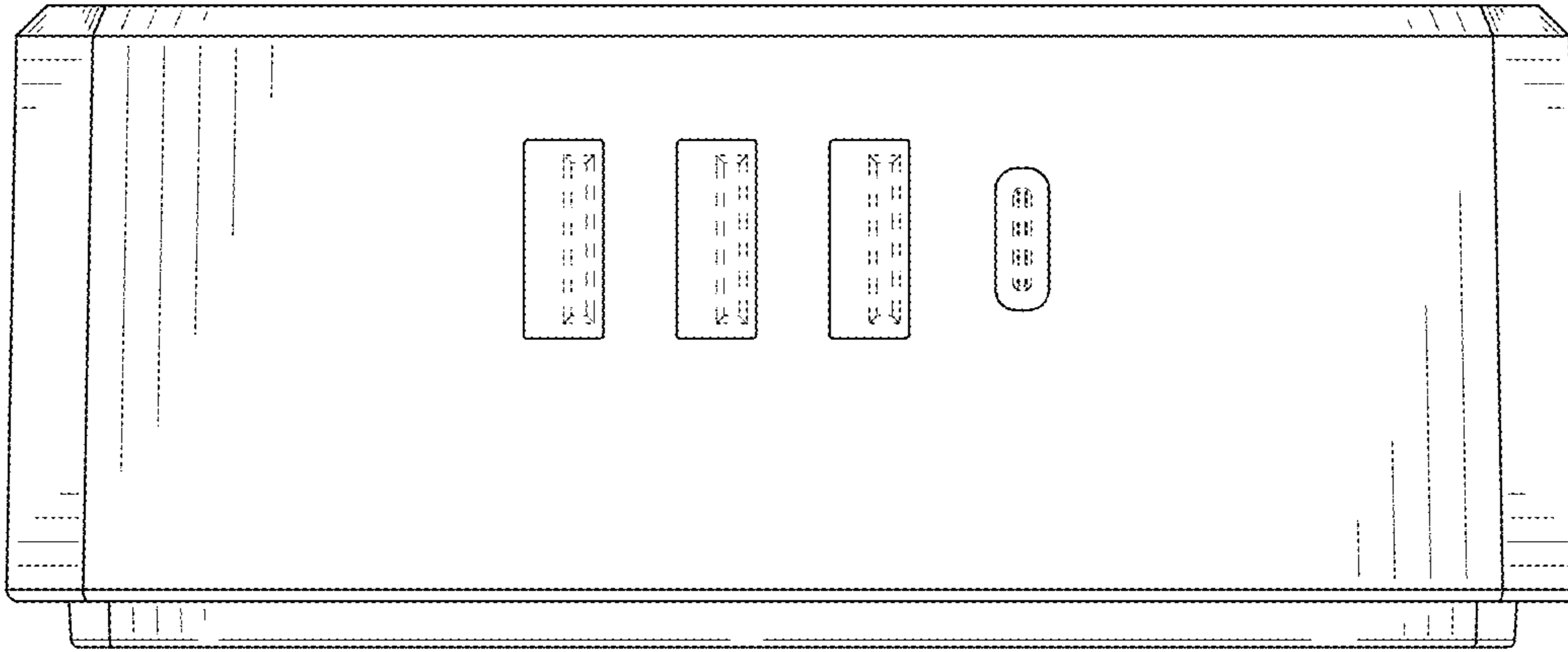


FIG. 8