



US00D964940S

(12) **United States Design Patent** (10) **Patent No.:** **US D964,940 S**
Lin (45) **Date of Patent:** **** Sep. 27, 2022**

(54) **SOCKET FOR EXTENSION CORD**

(71) Applicant: **Chia-Hua Lin**, New Taipei (TW)

(72) Inventor: **Chia-Hua Lin**, New Taipei (TW)

(**) Term: **15 Years**

(21) Appl. No.: **29/764,236**

(22) Filed: **Dec. 29, 2020**

(51) **LOC (13) Cl.** **13-03**

(52) **U.S. Cl.**
USPC **D13/137.4**

(58) **Field of Classification Search**

USPC D13/137.1, 137.2, 137.3, 137.4, 138.1,
D13/138.2, 139.1, 139.2, 139.3, 139.4,
D13/139.5, 139.6, 139.7, 139.8, 103, 107,
D13/108, 110, 119, 123, 133, 145, 152,
D13/153, 154, 156, 158, 160, 162, 177,
D13/184, 199

CPC H01R 13/00; H01R 13/03; H01R 13/04;
H01R 13/10; H01R 13/35; H01R 13/44;
H01R 13/453; H01R 13/4534; H01R
13/502; H01R 13/514; H01R 13/631;
H01R 13/639; H01R 13/6633; H01R
13/6666; H01R 13/6675; H01R 13/7135;
H01R 31/02; H01R 31/06; H01R 31/065

See application file for complete search history.

(56) **References Cited**

U.S. PATENT DOCUMENTS

D483,331 S	*	12/2003	Adachi	D13/139.7
D483,723 S	*	12/2003	Adachi	D13/139.7
D562,240 S	*	2/2008	Lee	D13/137.2
D566,654 S	*	4/2008	Ivanova	D13/139.7
D599,290 S	*	9/2009	Lee	D13/137.2
D614,134 S	*	4/2010	Chen	D13/137.2
D618,617 S	*	6/2010	Lee	D13/137.2
D651,977 S	*	1/2012	Lee	D13/139.1
D736,710 S	*	8/2015	Lin	D13/137.2
D789,891 S	*	6/2017	Eshelman	D13/137.2
D821,978 S	*	7/2018	Yu	D13/139.7

D851,598 S	*	6/2019	Liang	D13/139.7
D858,448 S	*	9/2019	Zhou	D13/137.4
D879,721 S	*	3/2020	Eshelman	D13/139.7

(Continued)

FOREIGN PATENT DOCUMENTS

CN 306704029 * 7/2021

OTHER PUBLICATIONS

“AmazonCommercial AC and USB Desktop Outlet, 1 Pack, White”, first available Mar. 30, 2021. Amazon.com [https://www.amazon.com/dp/B082Q1LC55] (Year: 2021).*

(Continued)

Primary Examiner — Rosemary K Tarcza

Assistant Examiner — Seth David Kumpf

(74) *Attorney, Agent, or Firm* — Chun-Ming Shih;
Lanway IPR Services

(57) **CLAIM**

The ornamental design for a socket for extension cord, as shown and described.

DESCRIPTION

FIG. 1 is a top front right side perspective view of a socket for extension cord, showing our new design;

FIG. 2 is a front view thereof;

FIG. 3 is a rear view thereof;

FIG. 4 is a left side view thereof;

FIG. 5 is a right side view thereof;

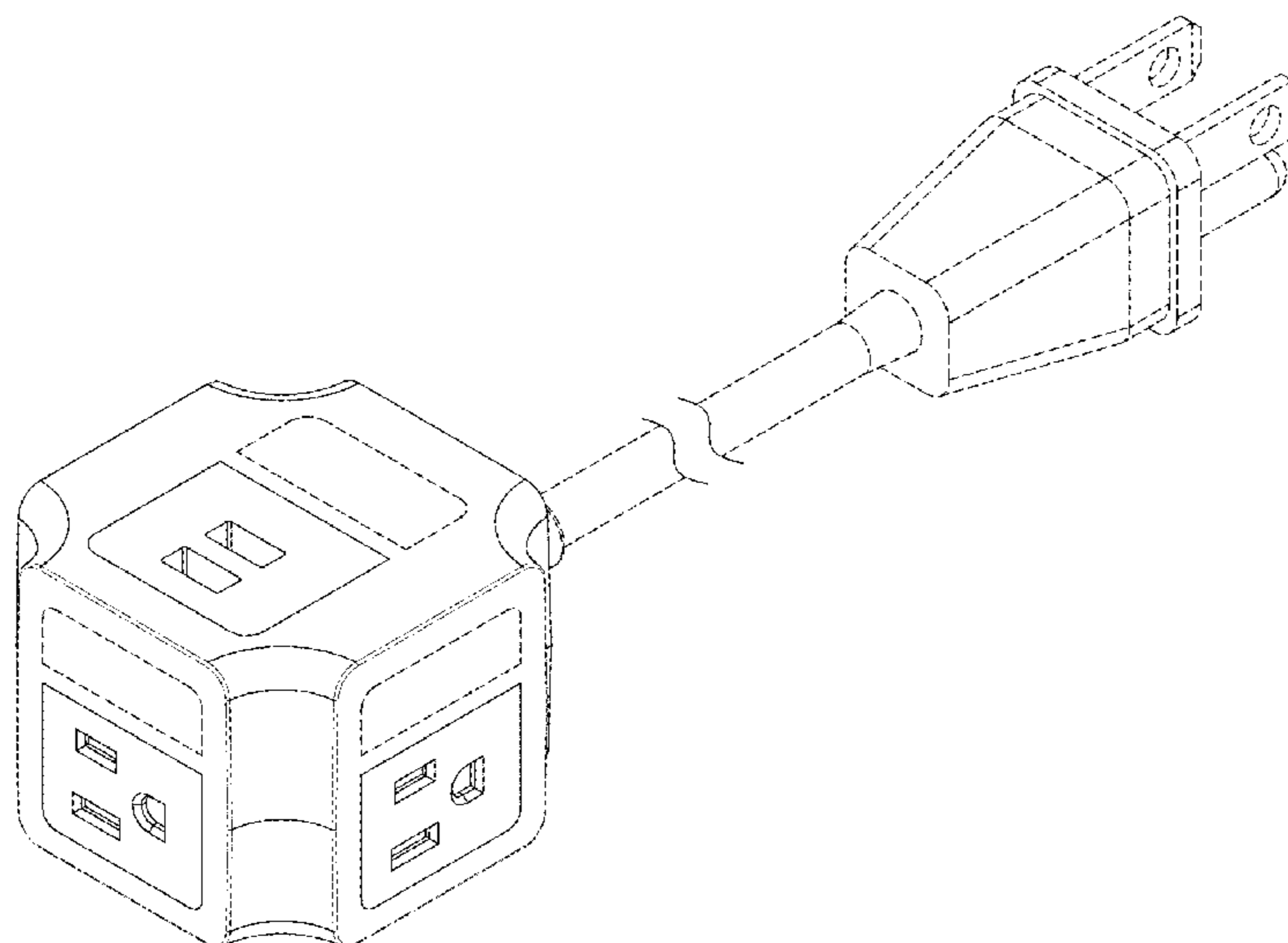
FIG. 6 is a top view thereof; and,

FIG. 7 is a bottom view thereof.

The socket for extension cord is shown with a symbolic break in its length. The appearance of any portion of the article between the break lines forms no part of the claimed design.

The broken lines depict portions of the socket for extension cord that form no part of the claimed design.

1 Claim, 7 Drawing Sheets



(56)

References Cited

U.S. PATENT DOCUMENTS

D881,820	S	*	4/2020	Li	D13/139.8
D894,839	S	*	9/2020	Chen	D13/139.7
D905,643	S	*	12/2020	Wu	D13/137.2
D908,094	S	*	1/2021	Yu	D13/139.7
D909,304	S	*	2/2021	Chen	D13/137.2
D909,308	S	*	2/2021	Shaopeng	D13/137.2
D910,571	S	*	2/2021	Tao	D13/137.2
10,965,073	B1	*	3/2021	Lin	H01R 27/02
D922,326	S	*	6/2021	Chen	D13/137.1
D929,942	S	*	9/2021	Lin	D13/137.2
D929,943	S	*	9/2021	Lin	D13/137.2
2004/0106312	A1	*	6/2004	Adachi	H01R 13/4532 439/138

OTHER PUBLICATIONS

“Maxlin Cable Heavy Duty Outlet Extender T-Shaped Adapter with 15 Amps 125V 50 Hz 1875 Watts 3 Plug Outlet Adapter UL Listed

3 Outlet Wall Adapter Wall Plug Extender Multi Outlet Adapter Black 2 Pack”, first available Oct. 30, 2019. Amazon.com [https://www.amazon.com/dp/B07ZQVLGV5] (Year: 2019).*

“GE home electrical GE 3 T-Shaped Adapter, Power Outlet Extender, Grounded Wall Tap, Heavy Duty, UL Listed, Black, 50872, 1 Pack”, first available Jul. 6, 2020. Amazon.com [https://www.amazon.com/dp/B08CF3RKRX] (Year: 2020).*

“Anker Power Strip with USB C, PowerExtend USB-C 3 Cube with 3 Outlets and 30W USB C, 5 ft Extension Cord, Power Delivery High-Speed Charging for iPhone 12/12Pro/12ProMax, Cruise Ship Travel Essential”, first available Dec. 23, 2020. Amazon.com [https://www.amazon.com/dp/B08R6TP9YR] (Year: 2020).*

“Superdanny ETL Listed 3-Outlet Grounding Adapter, Heavy Duty 3-Prong Power Extender, Wall Socket Grounded Power Tap, 392° F. Fire-Retardant Material for Industrial Household Appliances, Orange, 2 Pack”, first available Dec. 18, 2020. Amazon.com [https://www.amazon.com/dp/B08PBCJWX4] (Year: 2020).*

* cited by examiner

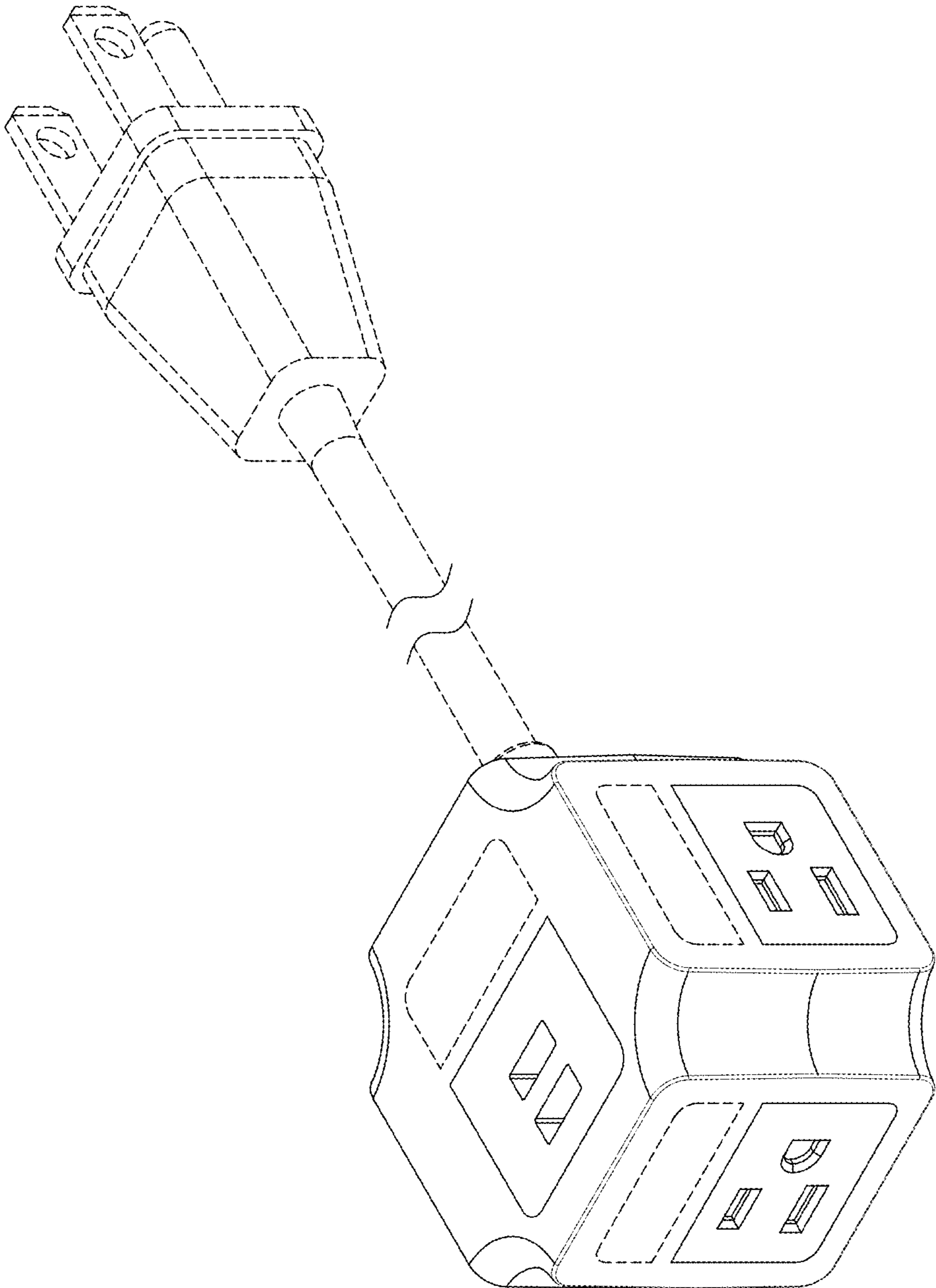


FIG. 1

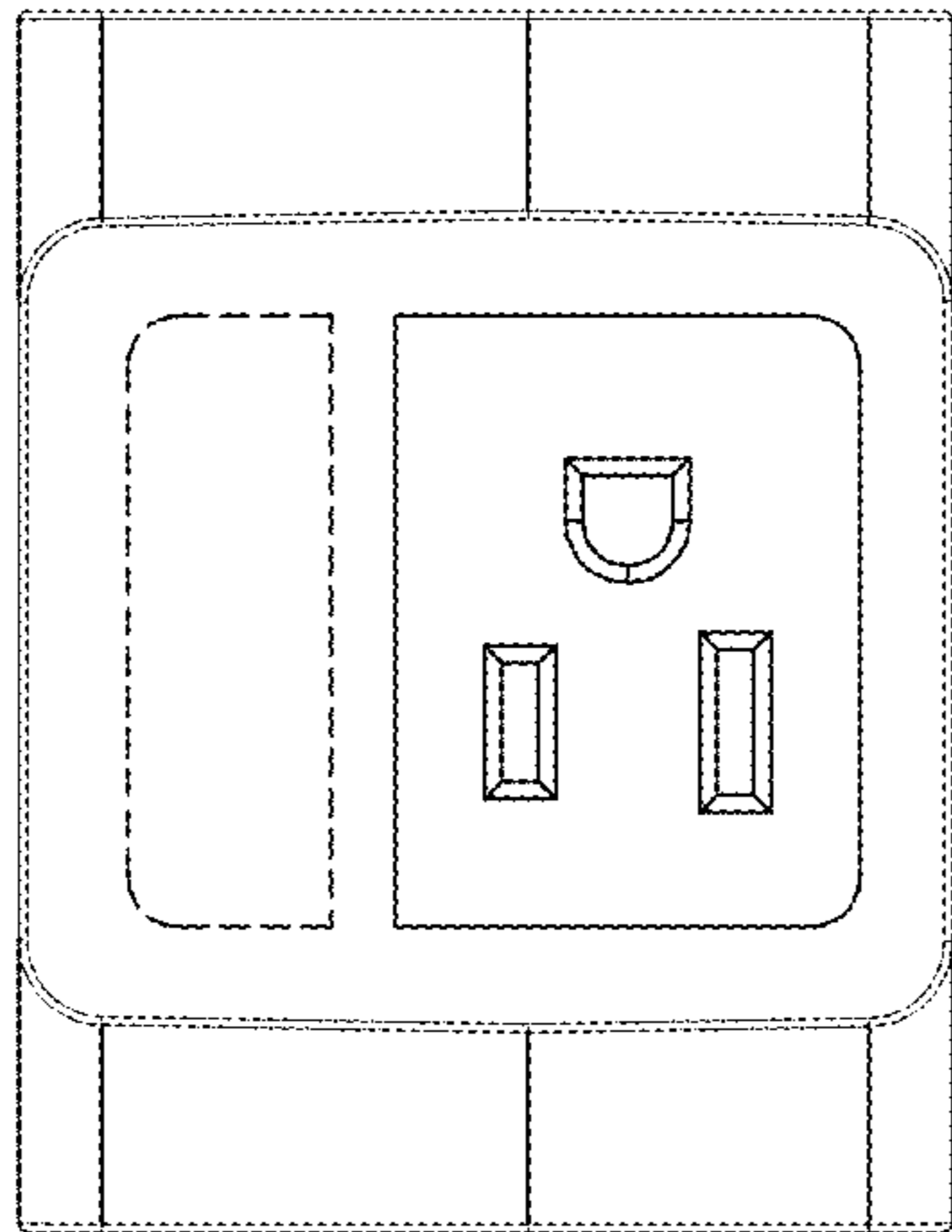


FIG. 2

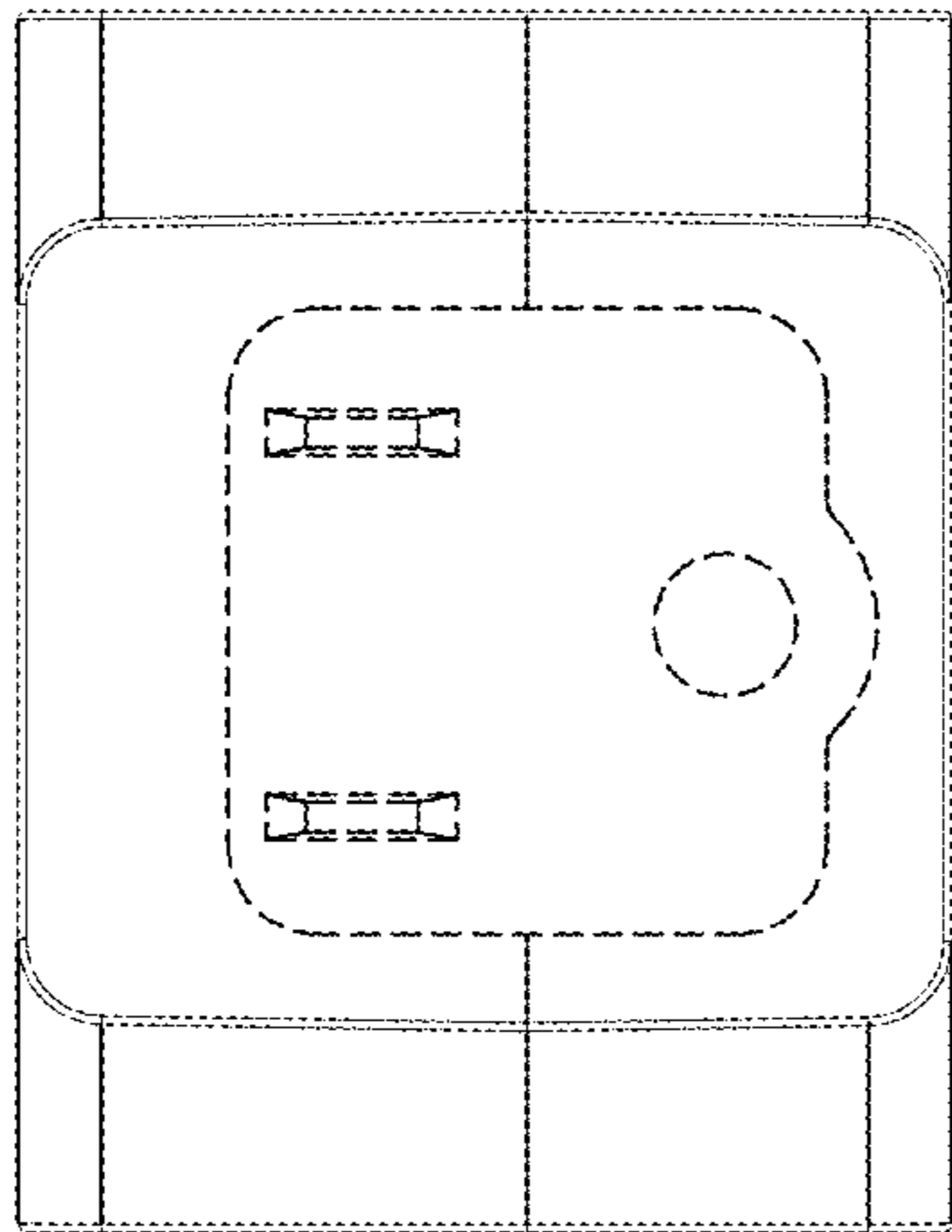


FIG. 3

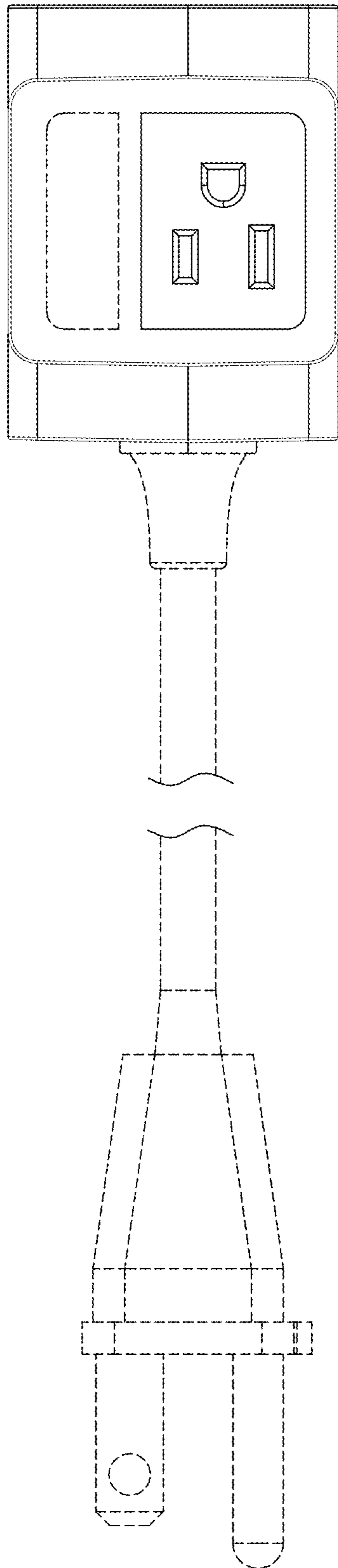


FIG. 4

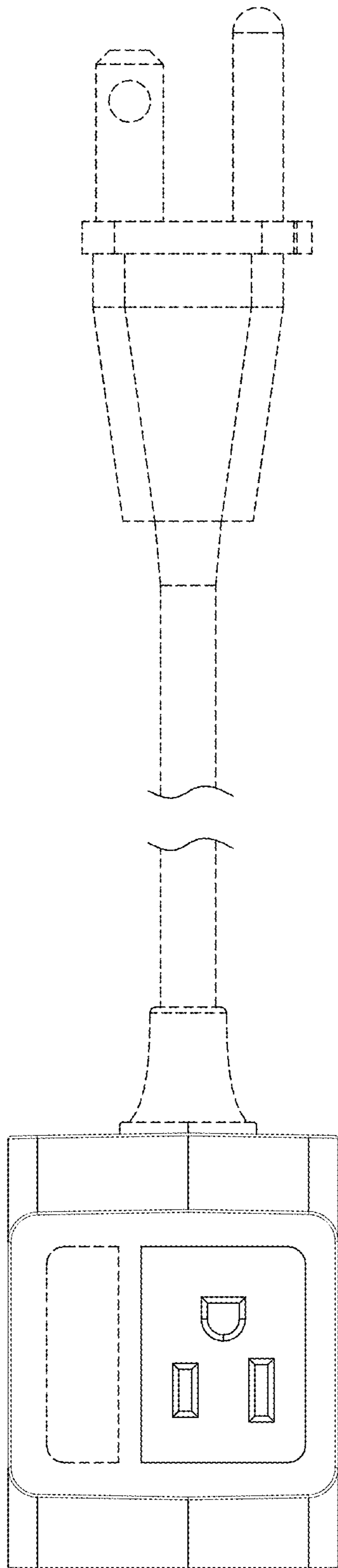


FIG. 5

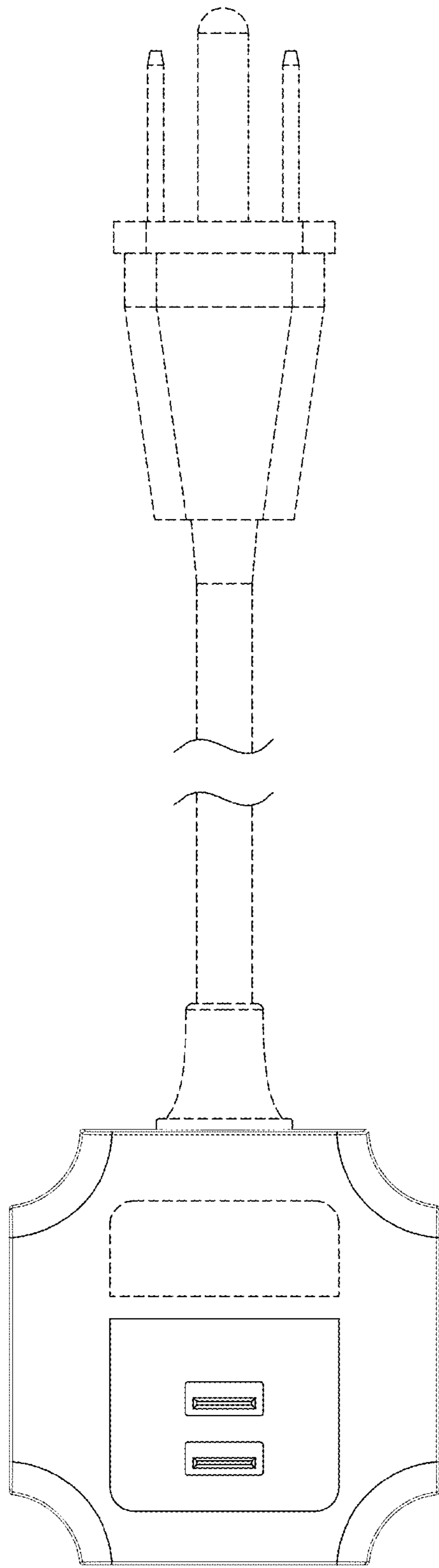


FIG. 6

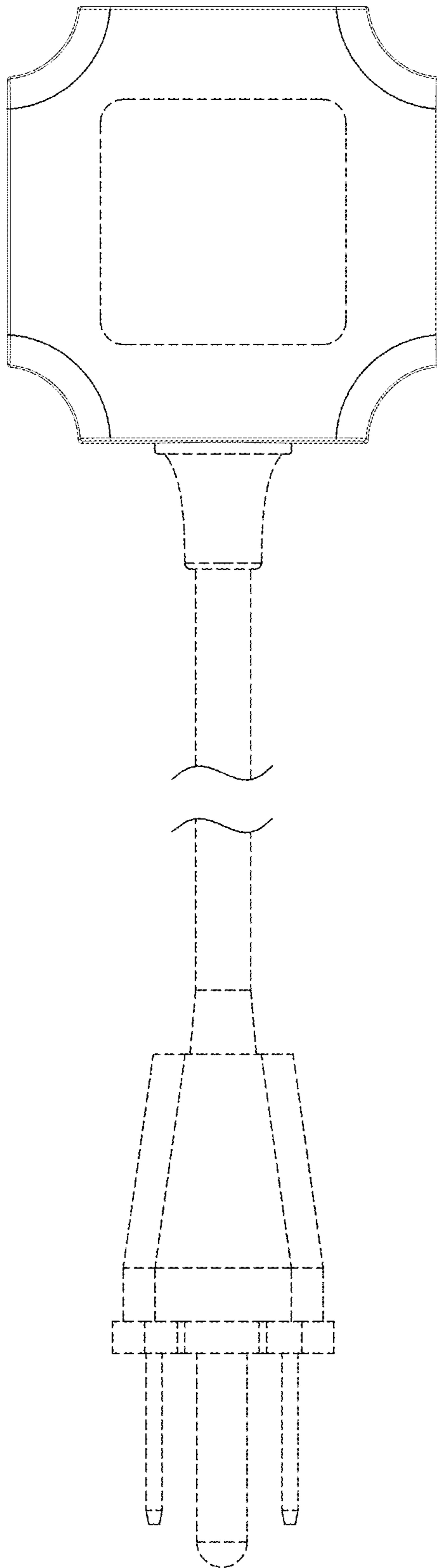


FIG. 7