



US00D964937S

(12) **United States Design Patent**  
**Liu**

(10) **Patent No.:** **US D964,937 S**

(45) **Date of Patent:** **\*\* Sep. 27, 2022**

(54) **COMBINED LAMP AND POWER STRIP**

(71) Applicant: **NINGBO HAISHUWENYIN  
TEXTILE CO., LTD, Ningbo (CN)**

(72) Inventor: **Shuguang Liu, Ningbo (CN)**

(73) Assignee: **NINGBO HAISHUWENYIN  
TEXTILE CO., LTD, Ningbo (CN)**

(\*\*) Term: **15 Years**

(21) Appl. No.: **29/820,952**

(22) Filed: **Dec. 26, 2021**

(51) **LOC (13) Cl.** ..... **13-03**

(52) **U.S. Cl.**  
USPC ..... **D13/137.1**

(58) **Field of Classification Search**  
USPC ..... D13/137.1, 137.2, 137.3, 137.4, 138.1,  
D13/138.2, 139.1, 139.2, 139.3, 139.4,  
D13/139.5, 139.6, 139.7, 139.8  
CPC .... H01R 13/11; H01R 13/518; H01R 13/642;  
H01R 13/652; H01R 25/003; H01R  
25/006; H01R 43/26; H01H 71/62; H01H  
73/14

See application file for complete search history.

(56) **References Cited**

**U.S. PATENT DOCUMENTS**

D734,253 S *	7/2015	Tinaphong	.....	H01R 13/70 D13/137.1
D801,276 S	10/2017	Lin		
D814,420 S *	4/2018	Chen	.....	D13/137.2
D878,300 S	3/2020	Lyu		
D881,809 S *	4/2020	Lyu	.....	D13/137.2
D886,742 S *	6/2020	Lyu	.....	D13/137.2
D924,807 S *	7/2021	Bao	.....	D13/137.2
D924,808 S *	7/2021	Bao	.....	D13/137.2
D947,781 S *	4/2022	Wei	.....	D13/137.2
D953,996 S *	6/2022	Zheng	.....	D13/137.2
D954,650 S *	6/2022	Amoss	.....	D13/137.2

D955,995 S *	6/2022	Zheng	.....	D13/137.2
D957,342 S *	7/2022	Zhou	.....	D13/137.2
2017/0290195 A1 *	10/2017	Jansen	.....	H02G 3/18

(Continued)

**FOREIGN PATENT DOCUMENTS**

CA	193423	*	4/2022
GB	3023659	*	2/2006
GB	6115167	*	1/2021

(Continued)

**OTHER PUBLICATIONS**

“USB Wall Charger, Surge Protector, QINLIANF 5 Outlet Extender with 4 USB Charging Ports (4.8A Total) 3-Sided 1680J Power Strip Multi Plug Outlets Wall Adapter Spaced for Home Travel Office (3U1C)”, first available Dec. 23, 2020. Amazon.com [https://www.amazon.com/dp/B08R6S1M1K] (Year: 2020).\*

(Continued)

*Primary Examiner* — Rosemary K Tarcza  
*Assistant Examiner* — Seth David Kumpf

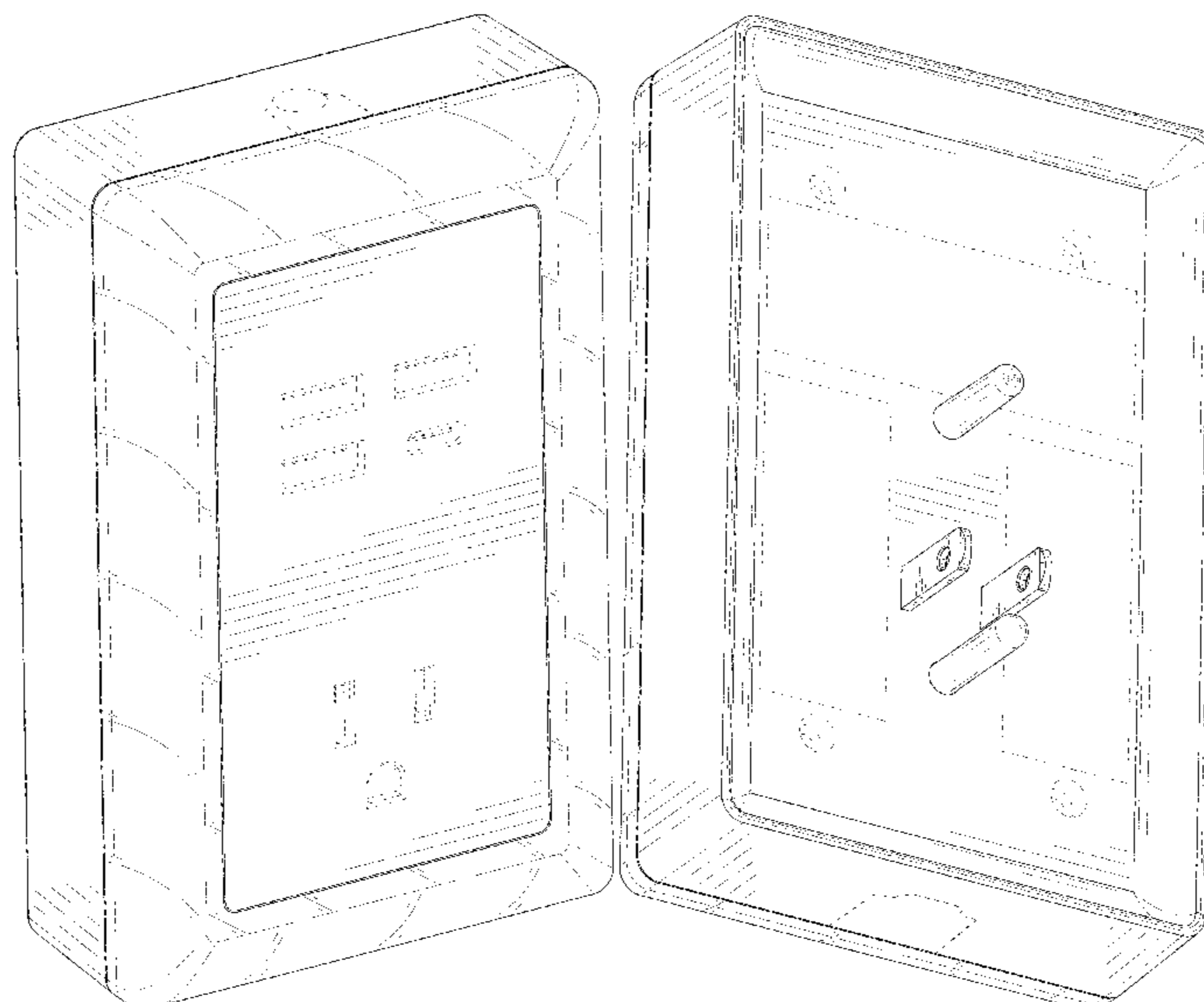
(57) **CLAIM**

The ornamental design for a combined lamp and power strip, as shown and described.

**DESCRIPTION**

FIG. 1 is a perspective view of a combined lamp and power strip showing my new design;  
FIG. 2 is another perspective view thereof;  
FIG. 3 is a front elevational view thereof;  
FIG. 4 is a rear elevational view thereof;  
FIG. 5 is a left side elevational view thereof;  
FIG. 6 is a right side elevational view thereof;  
FIG. 7 is a top plan view thereof; and,  
FIG. 8 is a bottom plan view thereof.  
The broken lines in the drawings depict portions of the combined lamp and power strip that form no part of the claimed design.

**1 Claim, 8 Drawing Sheets**



(56)

**References Cited**

U.S. PATENT DOCUMENTS

2022/0123539 A1\* 4/2022 Lin ..... H02G 3/14

FOREIGN PATENT DOCUMENTS

KR 300846962.0000 \* 3/2016  
KR 300846963.0000 \* 3/2016

OTHER PUBLICATIONS

“USB Wall Charger, Surge Protector, Nustsa Outlet Extender with Night Light, 4 USB Charger Ports( 4.2A Total) 1680J Power Strip, Wall Adapter Spaced for Home Travel Office (3U1C)”, first available Apr. 16, 2022. Amazon.com [<https://www.amazon.com/dp/B09Y2T3614>] (Year: 2022).\*

“Multi Plug Outlet, Surge Protector, POWRUI 6-Outlet Extender with 2 USB Charging Ports (2.4A Total) and Night Light, 3-Sided Power Strip with Adapter Spaced Outlets—White , ETL Listed”, first available Apr. 13, 2018. Amazon.com [<https://www.amazon.com/dp/B07CCGBB7M>] (Year: 2018).\*

“6-Hole Socket Extender, USB Wall Charger, Surge Protector, Multi-Plug Socket with Photosensitive Night Light, with 2 USB-A Charging Ports + 1 USB-C Charging Port, White”, first available Jun. 9, 2021. Amazon.com [<https://www.amazon.com/dp/B096YBFCWF>] (Year: 2021).\*

\* cited by examiner

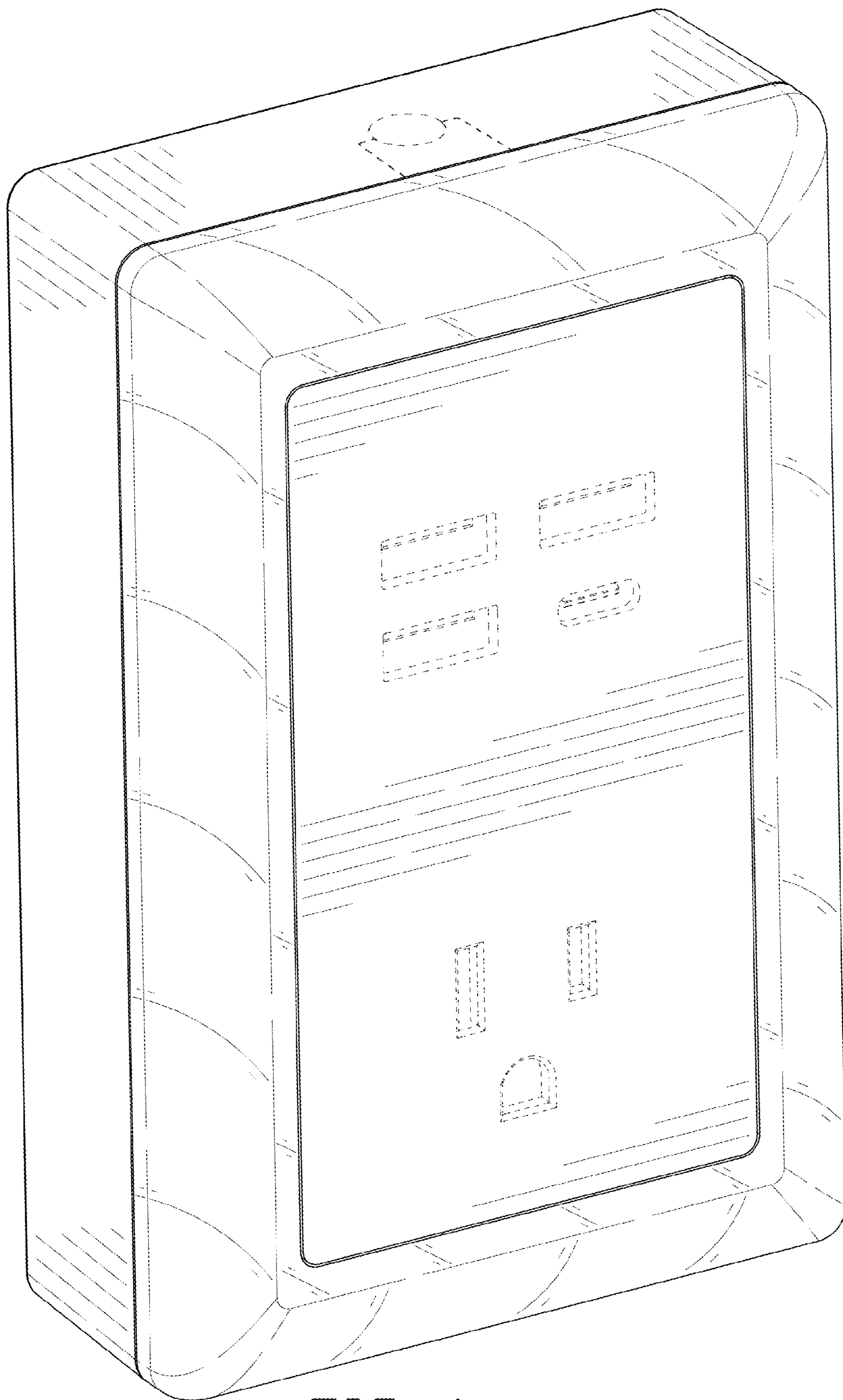


FIG. 1



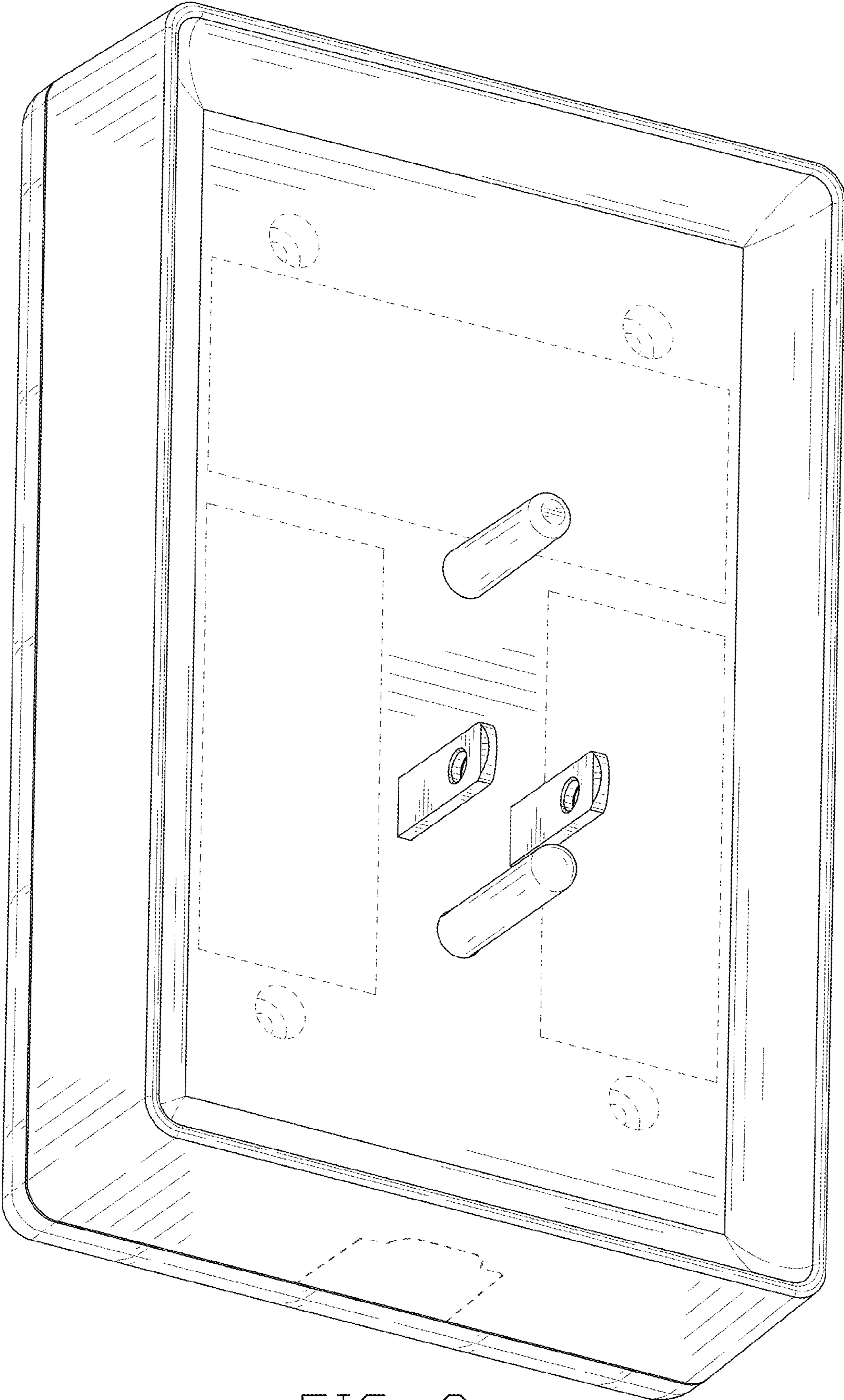


FIG. 2

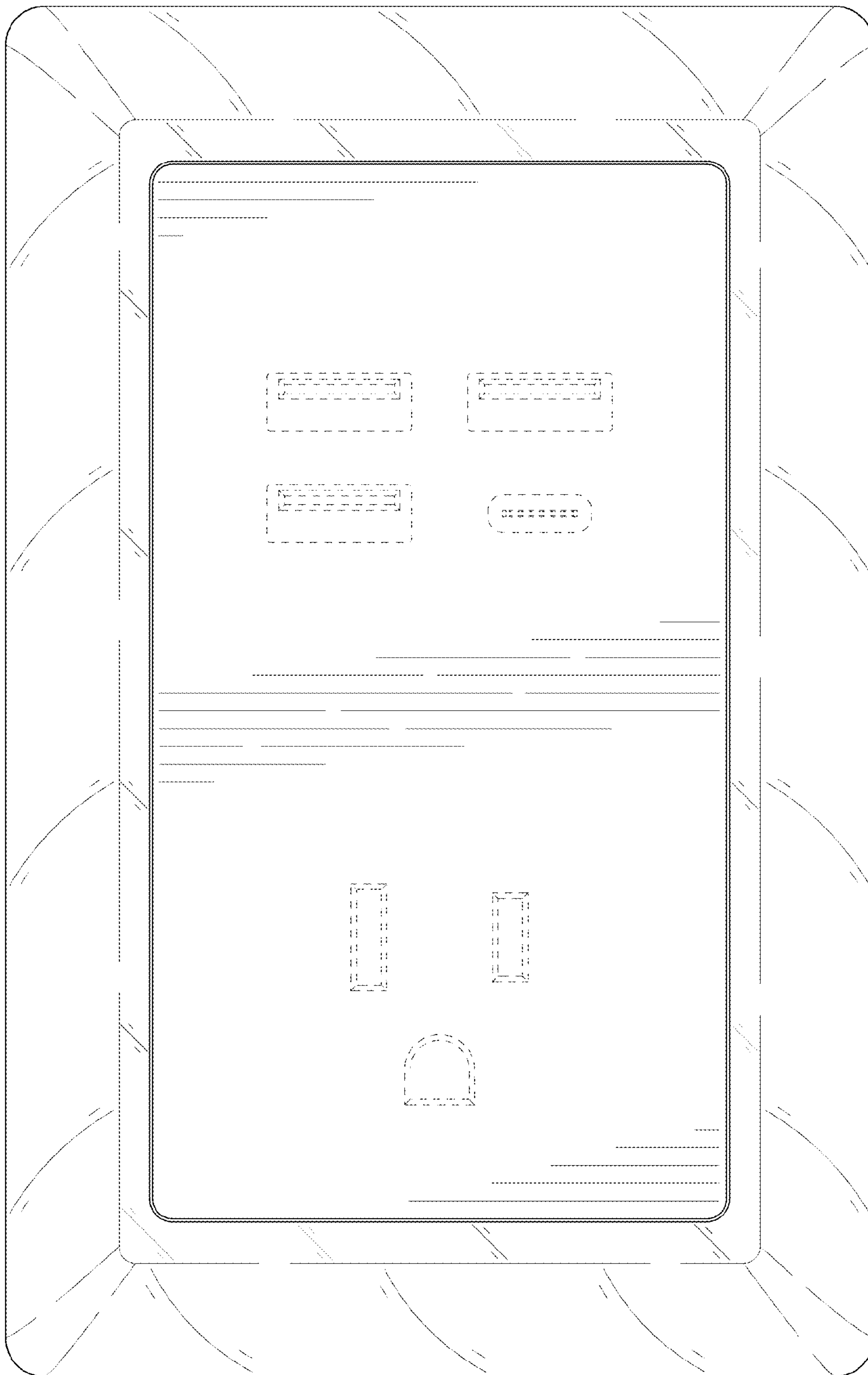


FIG. 3

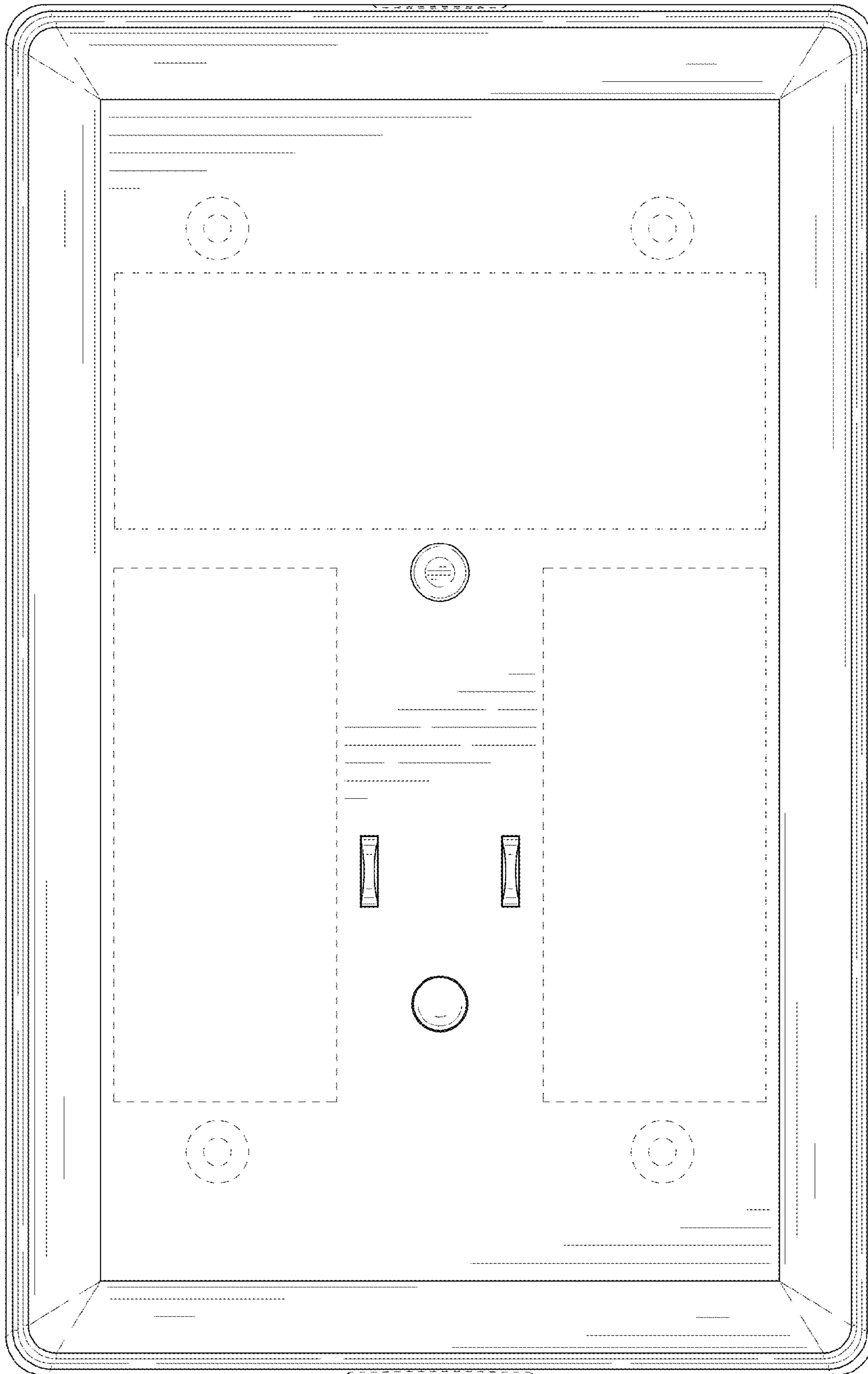


FIG. 4

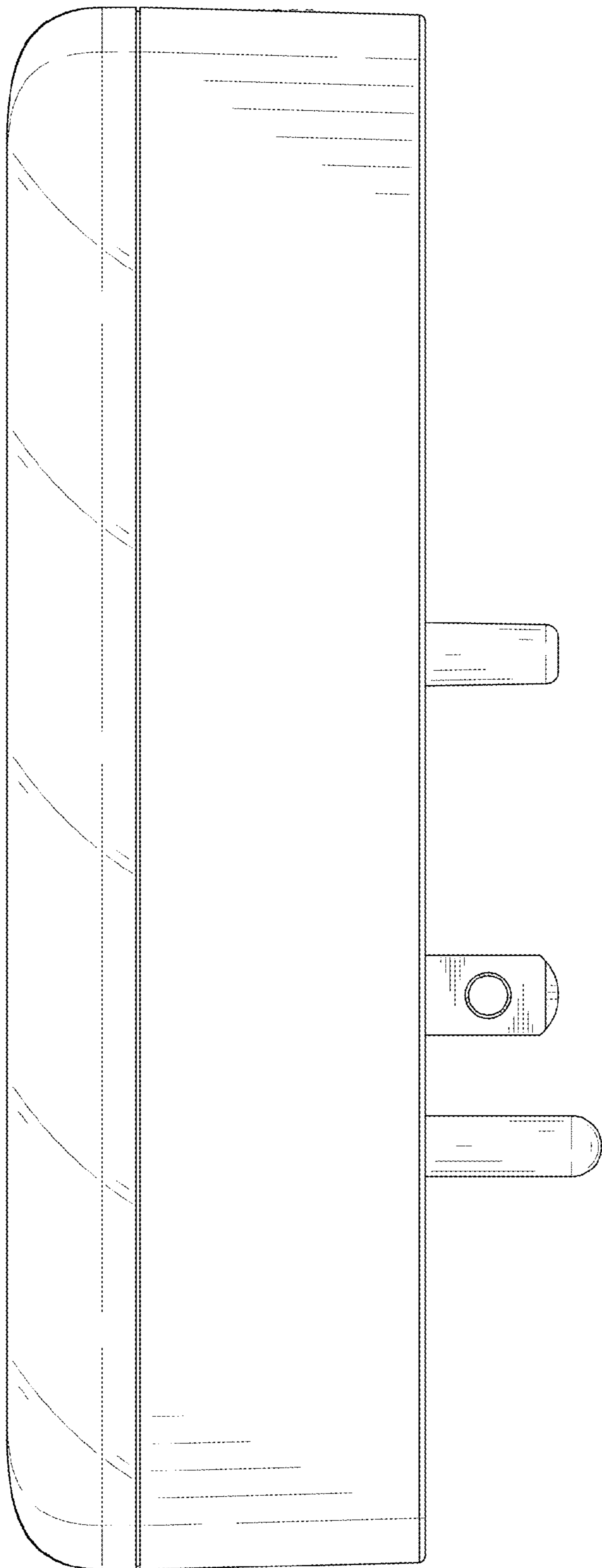


FIG. 5

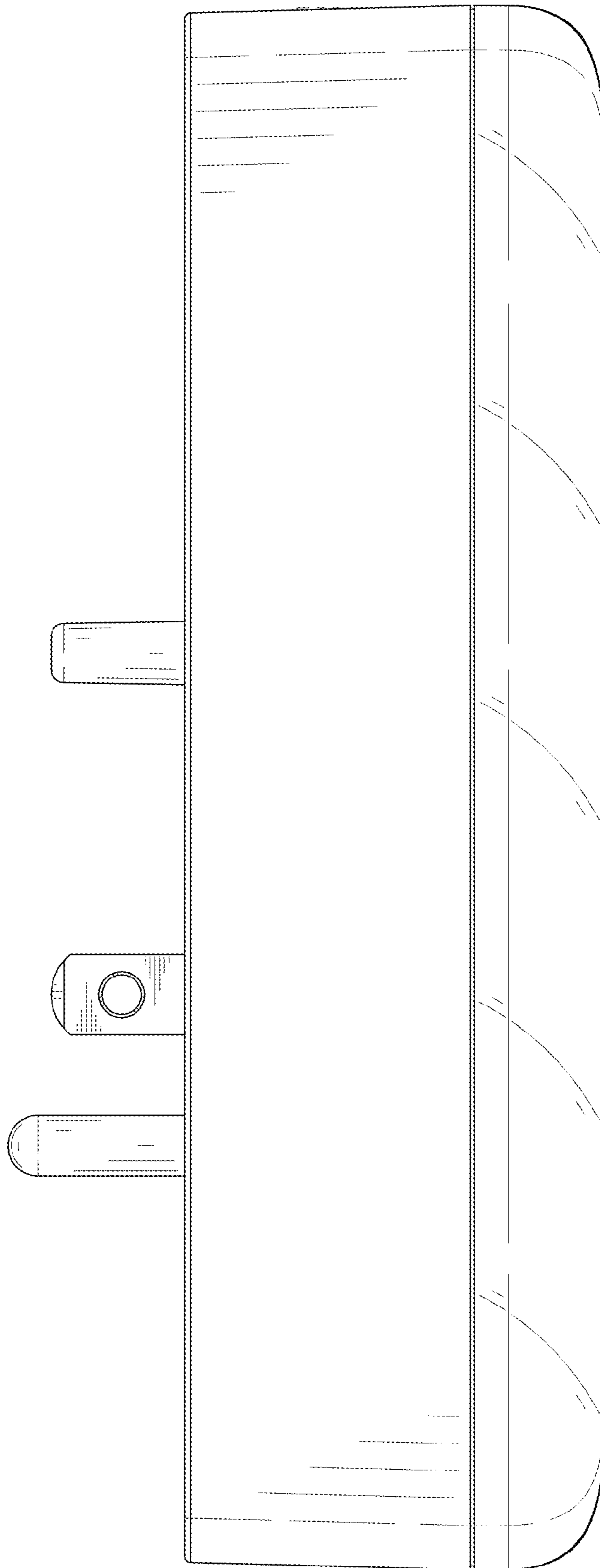


FIG. 6



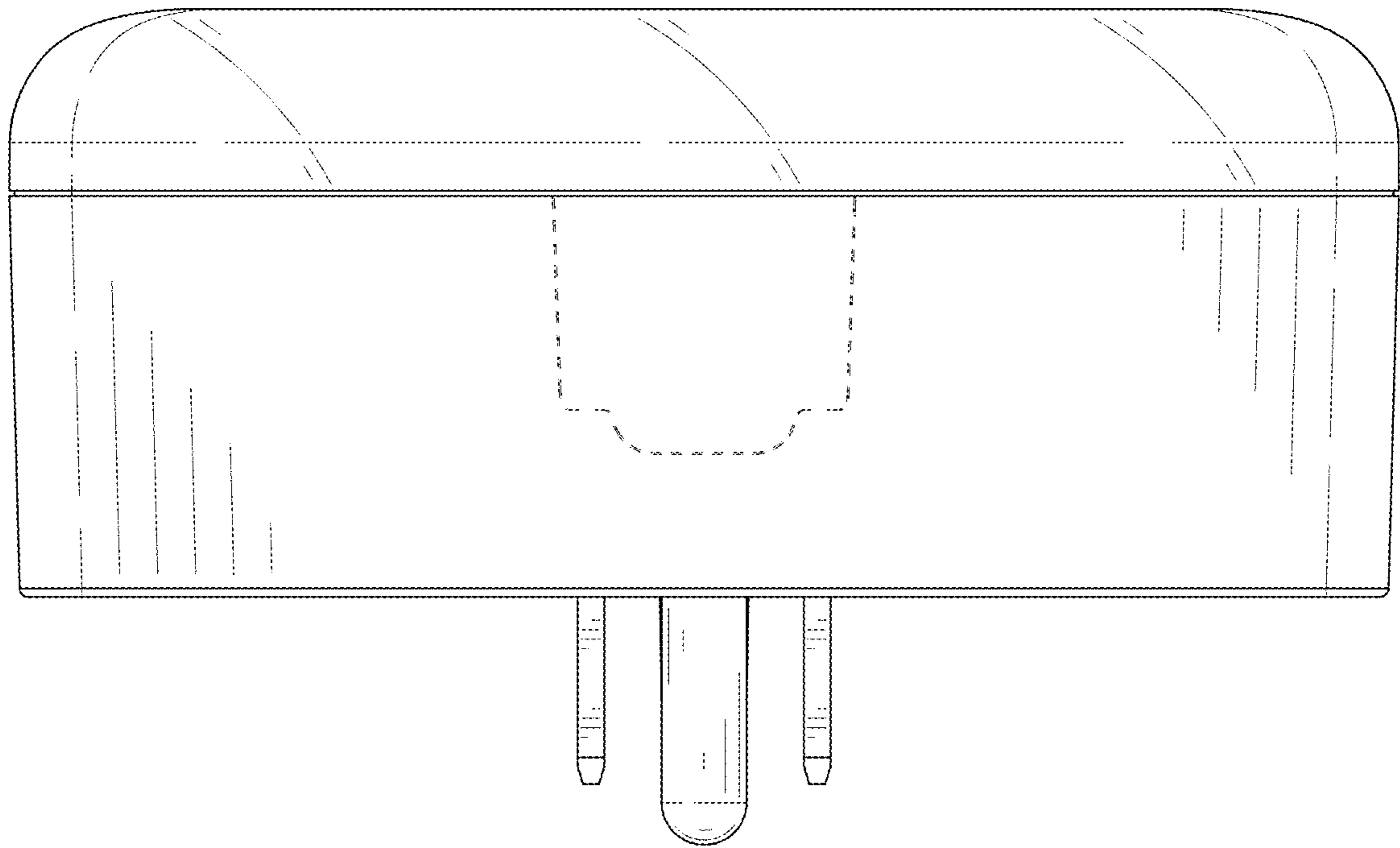


FIG. 7

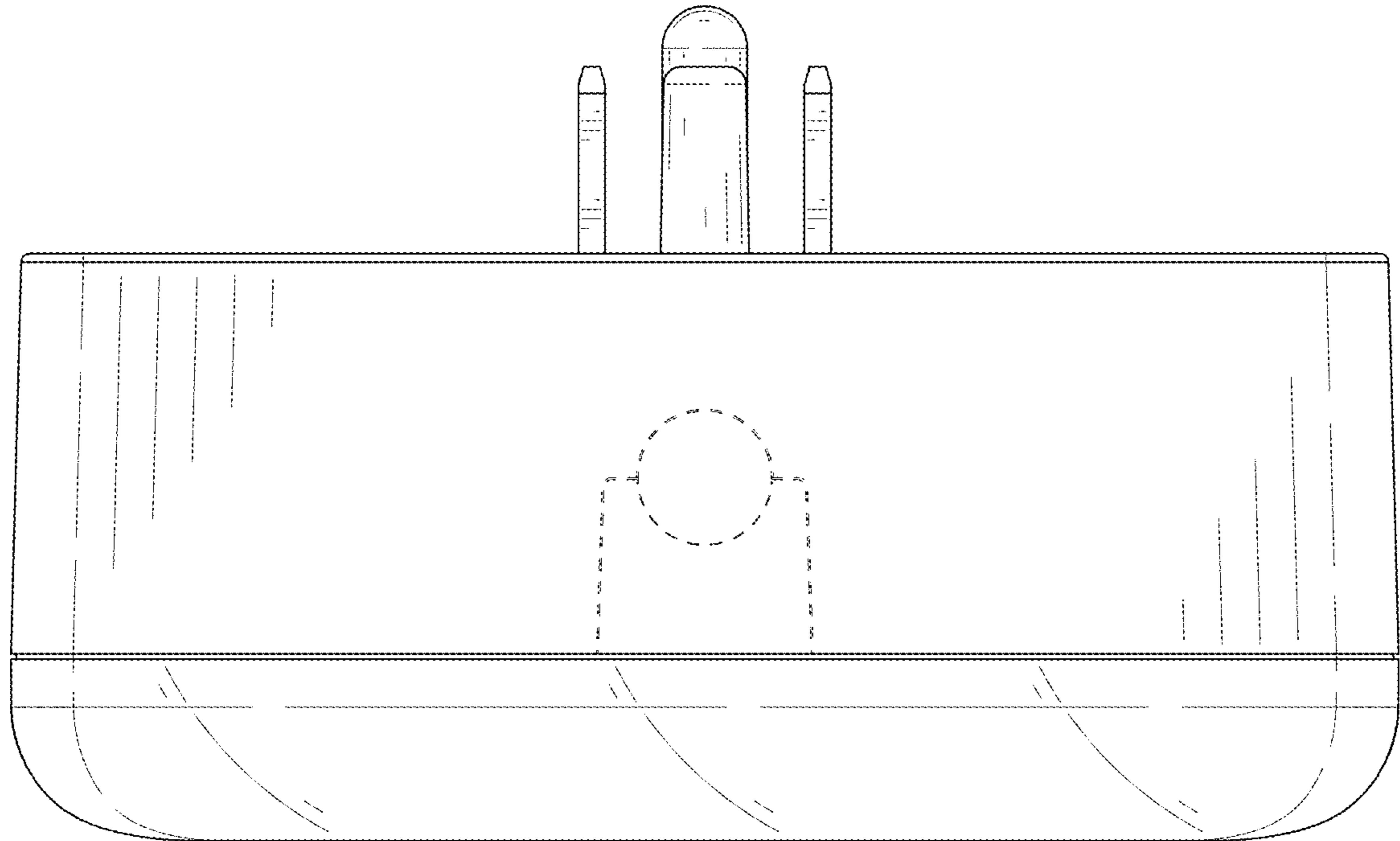


FIG. 8