

US00D964936S

(12) **United States Design Patent**  
**Zhong**

(10) **Patent No.:** **US D964,936 S**

(45) **Date of Patent:** **\*\* Sep. 27, 2022**

(54) **CONNECTOR**

(71) Applicant: **Shaohua Zhong**, Guangdong (CN)

(72) Inventor: **Shaohua Zhong**, Guangdong (CN)

(\*\*) Term: **15 Years**

(21) Appl. No.: **29/801,599**

(22) Filed: **Jul. 29, 2021**

(30) **Foreign Application Priority Data**

Jun. 8, 2021 (CN) ..... 202130352134.0

(51) **LOC (13) Cl.** ..... **13-03**

(52) **U.S. Cl.**  
USPC ..... **D13/133**; D13/146

(58) **Field of Classification Search**  
USPC ..... D13/123, 133, 146, 147, 149, 151, 154,  
D13/173, 184, 199  
CPC ..... H01R 13/405; H01R 13/56; H01R 13/58;  
H01R 13/631; H01R 13/639; H01R  
13/28; H01R 13/53; H01R 13/5825;  
H01R 13/627; H01R 13/72; H01R 24/00;  
H01R 24/86  
See application file for complete search history.

(56) **References Cited**

**U.S. PATENT DOCUMENTS**

- 3,323,097 A \* 5/1967 Tordoff ..... H01R 13/53  
337/201
- 3,539,972 A \* 11/1970 Silva ..... H01H 33/65  
439/185
- D244,610 S \* 6/1977 Gietzen ..... D13/133
- D355,641 S \* 2/1995 Down ..... D13/151
- D434,003 S \* 11/2000 Brisson ..... D13/133
- D480,050 S \* 9/2003 Darrow ..... D13/133
- 7,422,492 B2 \* 9/2008 Zugel ..... H01R 13/508  
439/954
- D580,360 S \* 11/2008 Vitito ..... D13/146
- D649,516 S \* 11/2011 Thauer ..... D13/147

- 8,152,551 B2 \* 4/2012 Zraik ..... H01R 24/40  
439/322
- 8,465,321 B2 \* 6/2013 Montena ..... H01R 9/0524  
439/579
- D703,142 S 4/2014 Hoshino et al.
- D787,446 S \* 5/2017 Cockerill ..... D13/146
- D816,616 S 5/2018 Corona
- D884,645 S 5/2020 Fukuyama
- D913,943 S 3/2021 Hasan

(Continued)

**FOREIGN PATENT DOCUMENTS**

CN 213401544 U \* 6/2021

**OTHER PUBLICATIONS**

ATO Circular Connector 2/3/4/5/6/7/8/9/10 Pin M16, dated Sep. 28, 2020, [online], [site visited Jul. 8, 2022]. Available from Internet, URL: <https://www.ato.com/circular-connector-2-to-10-pin-m16> (Year: 2020).\*

(Continued)

*Primary Examiner* — Shawn T Gingrich  
(74) *Attorney, Agent, or Firm* — JCIP Global Inc.

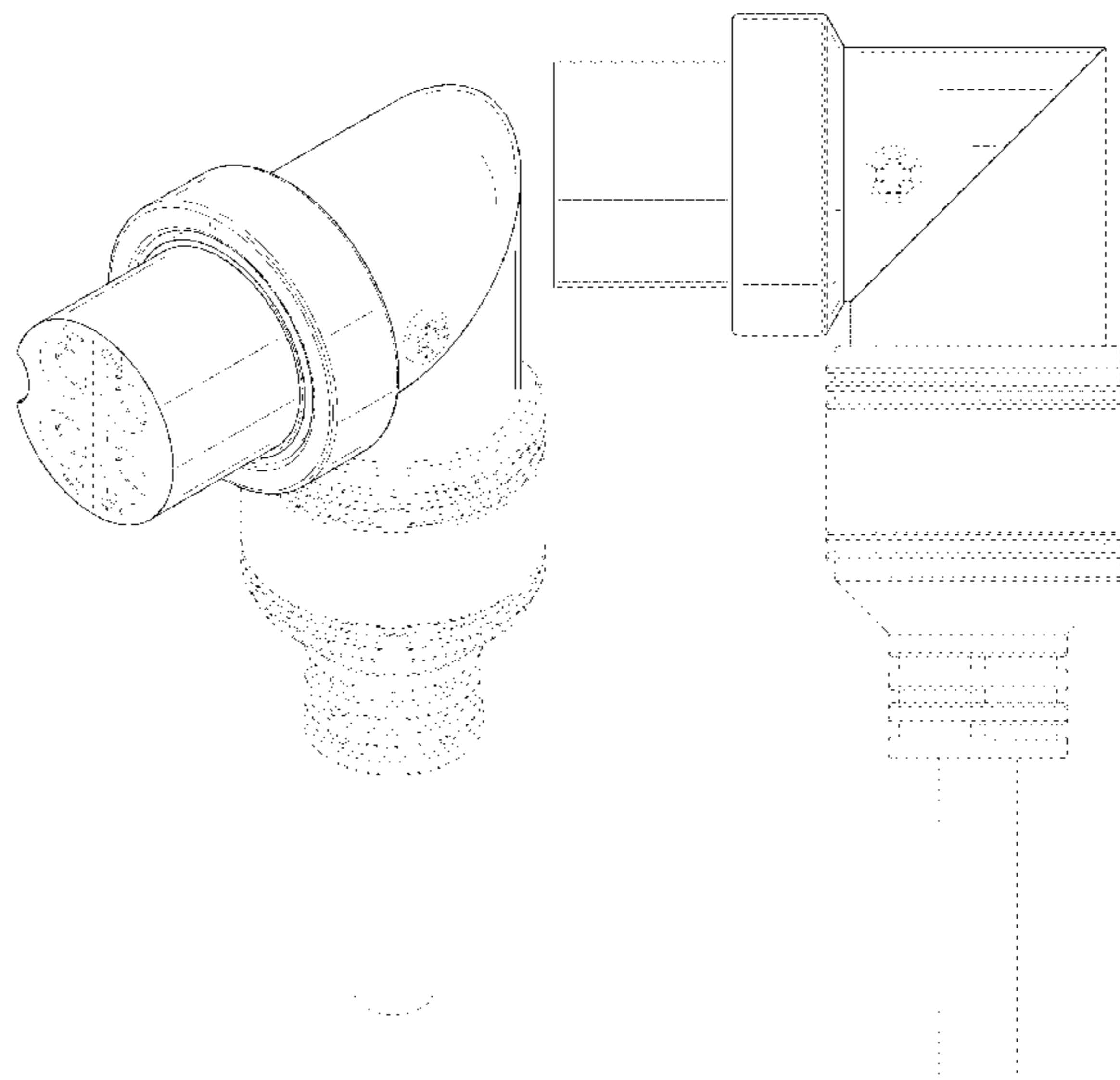
(57) **CLAIM**

The ornamental design for a connector, as shown and described.

**DESCRIPTION**

FIG. 1 is a perspective view of a connector showing my new design;  
FIG. 2 is a front view thereof;  
FIG. 3 is a rear view thereof;  
FIG. 4 is a left side view thereof;  
FIG. 5 is a right side view thereof;  
FIG. 6 is a top view thereof; and,  
FIG. 7 is a bottom view thereof.  
The broken line showing of portions of the connector in FIGS. 1-7 forms no part of the claimed design.

**1 Claim, 7 Drawing Sheets**



(56)

**References Cited**

U.S. PATENT DOCUMENTS

2011/0306247 A1\* 12/2011 Montena ..... H01R 9/0524  
439/660  
2015/0357739 A1\* 12/2015 Cherian ..... H01R 13/405  
439/736

OTHER PUBLICATIONS

Avion Studios Economy 5-Pin Right Angle XLR Plug , dated Sep. 19, 2017, [online], [site visited Jul. 8, 2022]. Available from Internet, URL: <https://www.avionstudios.com/rhodes/economy-5-pin-right-angle-xlr-plug-for-janus-preamp> (Year: 2017).\*

DGZZI 5Pairs GX16 4Pin Male Female Circular Aviation Connector, dated Mar. 13, 2019, [online], [site visited Jul. 8, 2022]. Available from Internet, URL: <https://www.amazon.com/DGZZI-5Pairs-Circular-Aviation-Connector/dp/B07PQF2RDL> (Year: 2019).\*

Baumer Female connector M16, 8-pin 4-wire angled, 3 m cable voltage supply, dated Apr. 3, 2019, [online], [site visited Jul. 8, 2022]. Available from Internet, URL: <https://www.baumer.com/ca/en/p/28348> (Year: 2019).\*

\* cited by examiner

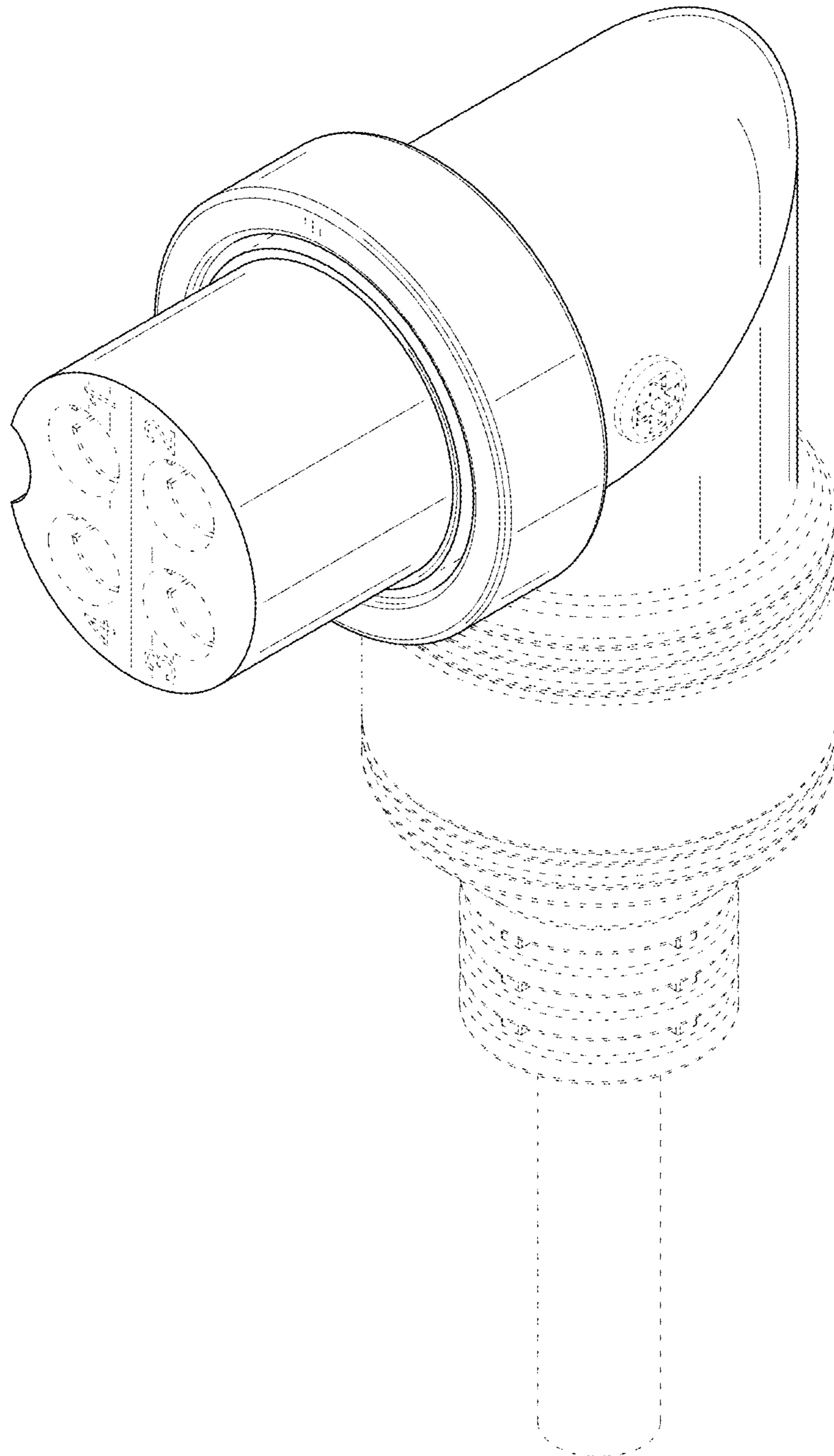


FIG. 1

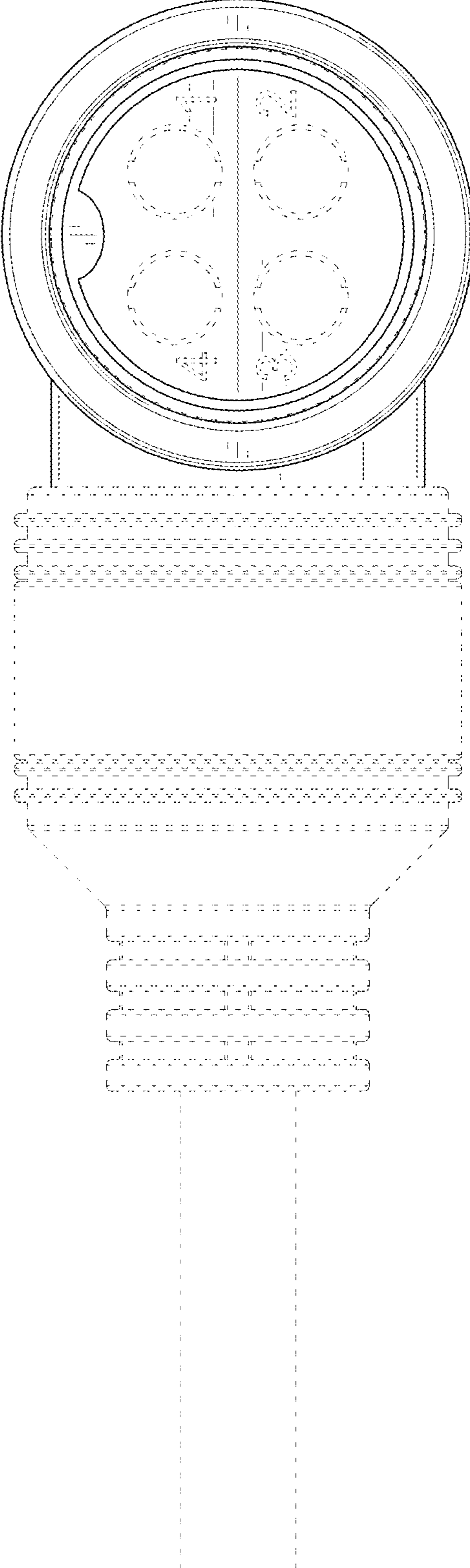


FIG. 2

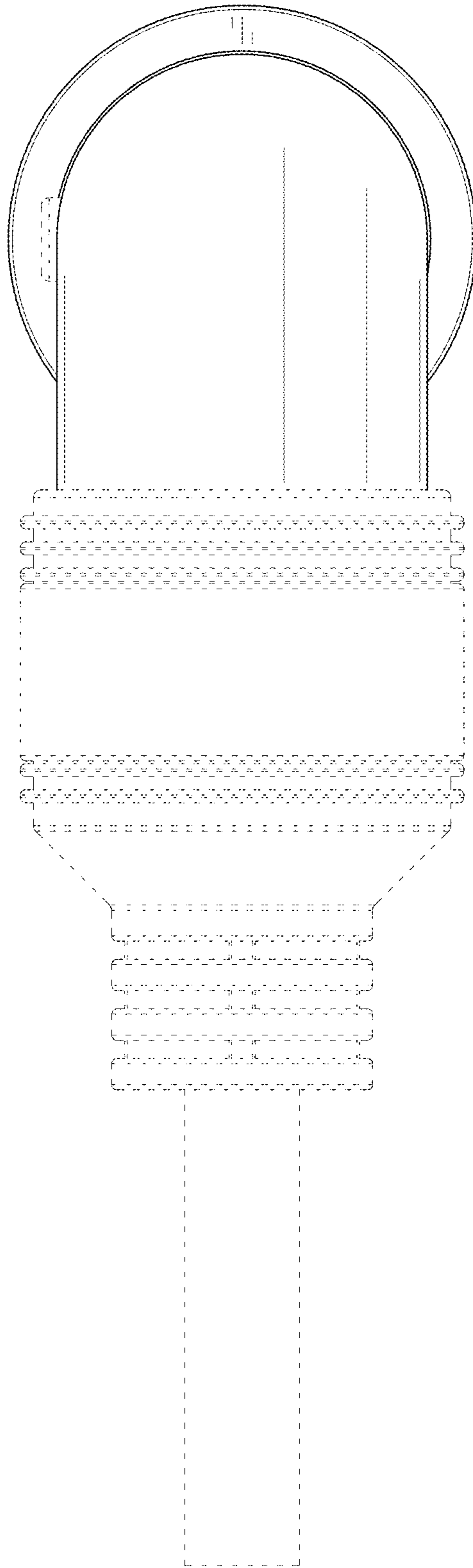


FIG. 3

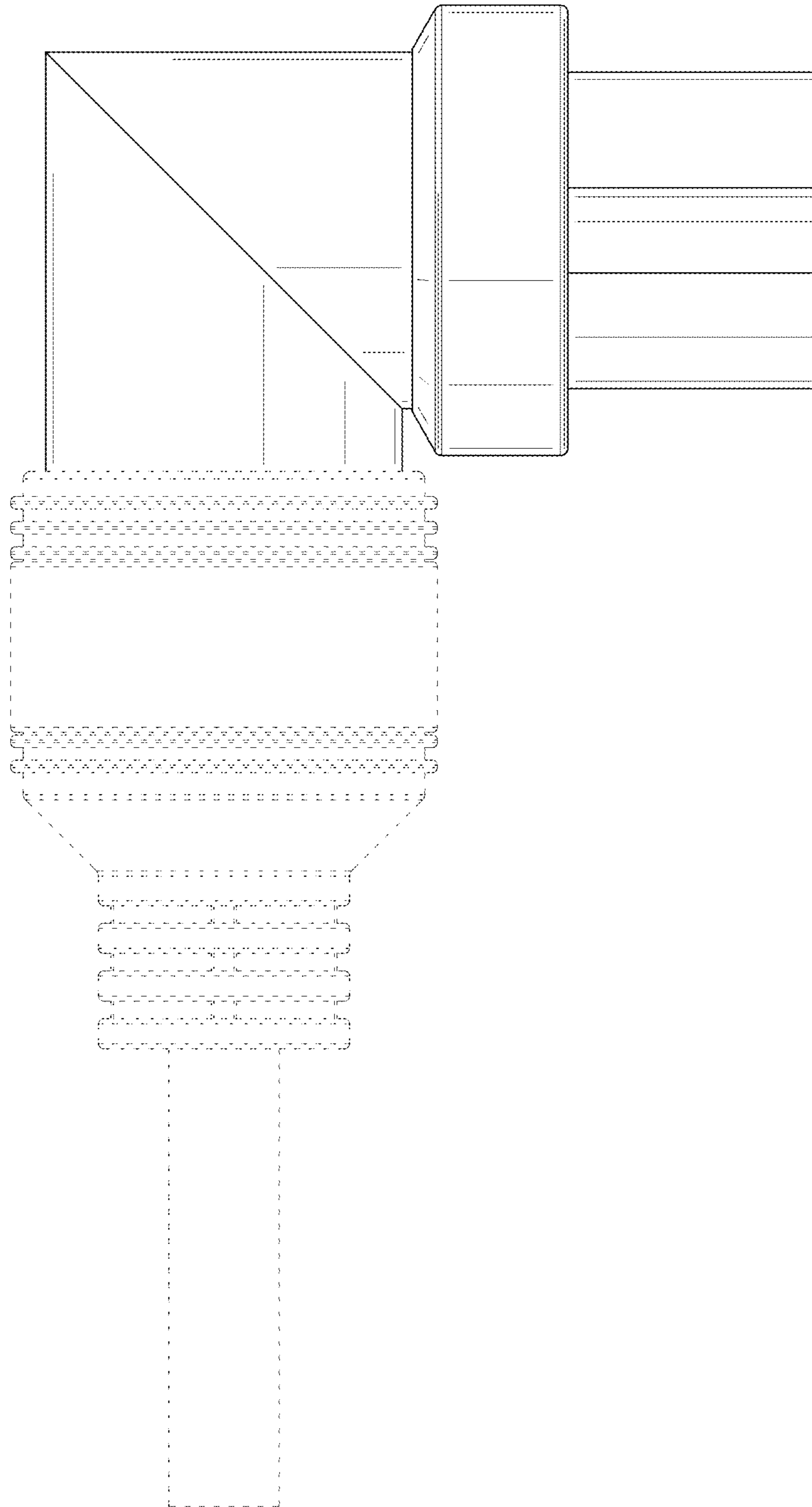


FIG. 4

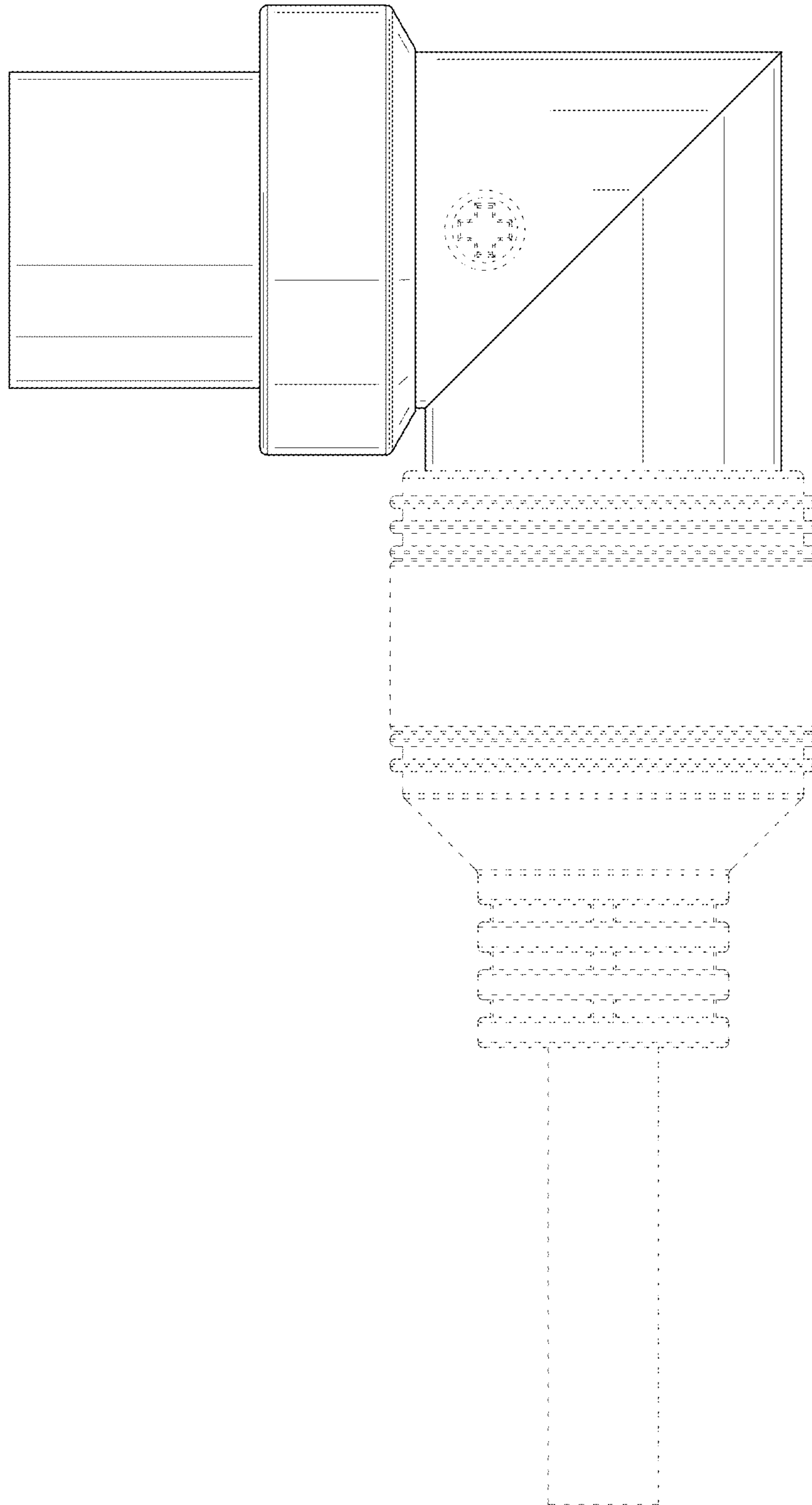


FIG. 5

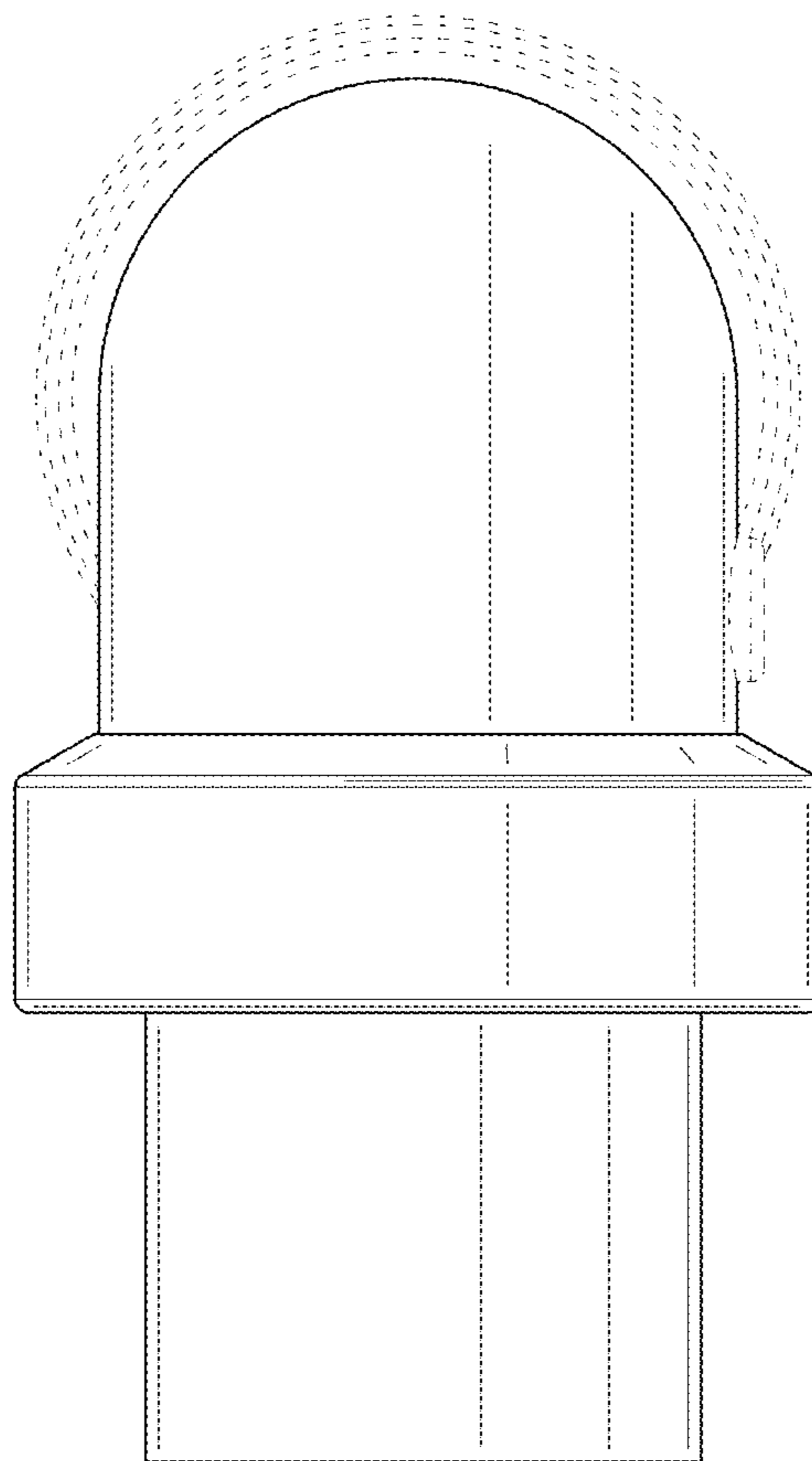


FIG. 6



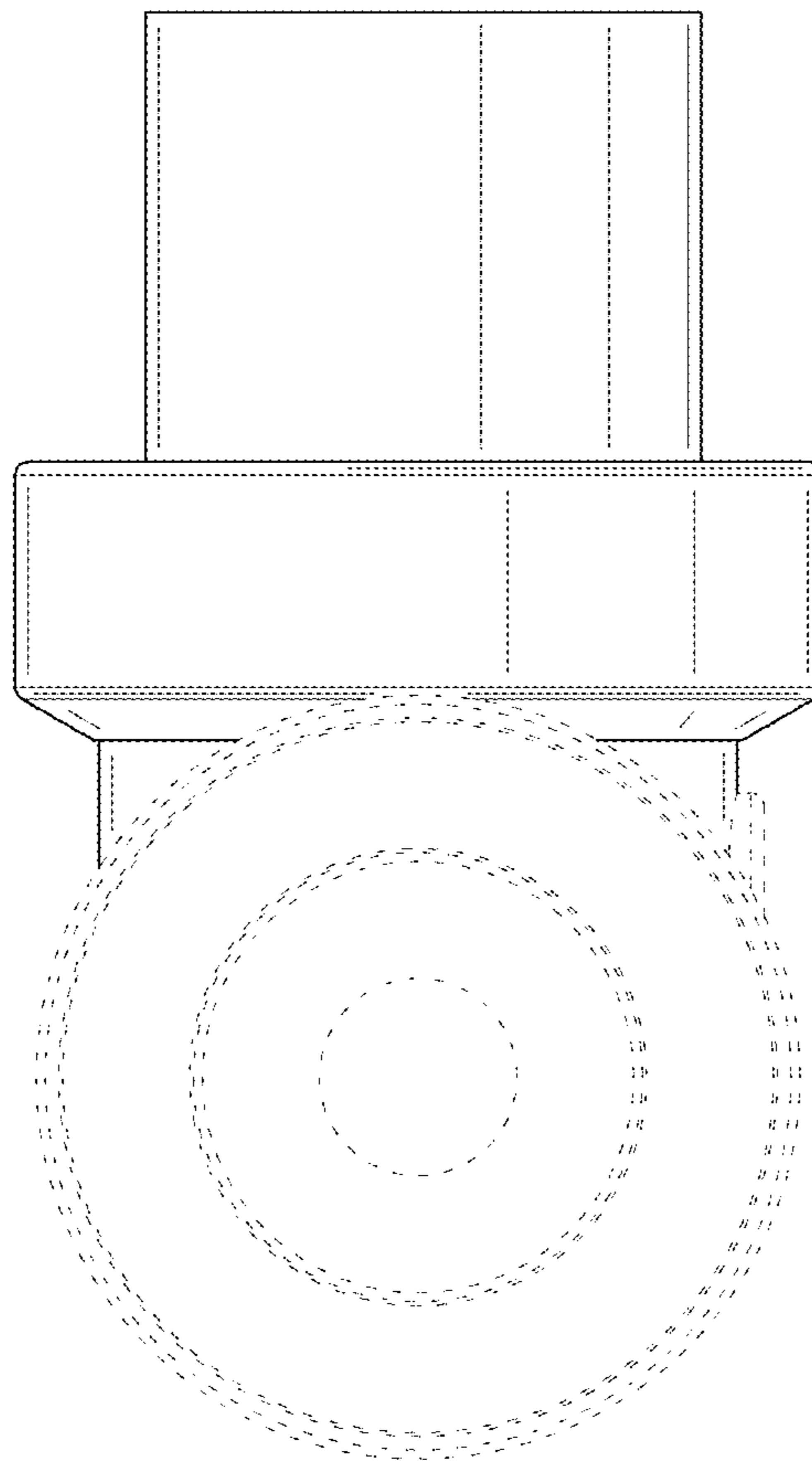


FIG. 7