

US00D964934S

(12) **United States Design Patent**
Wan

(10) **Patent No.:** **US D964,934 S**

(45) **Date of Patent:** **** Sep. 27, 2022**

(54) **BATTERY BOX CONTROLLER**

(71) Applicant: **Ye Wan**, Shenzhen (CN)

(72) Inventor: **Ye Wan**, Shenzhen (CN)

(**) Term: **15 Years**

(21) Appl. No.: **29/780,471**

(22) Filed: **Apr. 25, 2021**

(51) **LOC (13) Cl.** **13-02**

(52) **U.S. Cl.**
USPC **D13/119**

(58) **Field of Classification Search**
USPC D13/102–110, 118–119, 184, 199;
D14/356, 432

CPC Y02E 60/10; Y02E 60/50; H01M 10/44;
H01M 10/46; H01M 10/465; H01M
10/482; H01M 10/4257; H01M 10/12;
H01M 10/623; H01M 10/6235; H01M
2200/30; H01M 2250/30; H01M 2250/40;
H01M 2250/20; H01M 2220/30; H01M
50/10; H01M 50/136; H01M 50/56;
H01M 50/1385; H01M 4/0433; H01M
6/505; H02J 7/00; H02J 7/0003; H02J
7/0013; H04B 1/3888; A45C 2011/002;
H04M 1/0283

See application file for complete search history.

(56) **References Cited**

U.S. PATENT DOCUMENTS

D777,104 S * 1/2017 Liu D13/119
D821,968 S * 7/2018 Zhao D13/103

D853,320 S * 7/2019 Guo D13/103
D881,812 S * 4/2020 Yang D13/103
D885,326 S * 5/2020 Zhang D13/103
D890,087 S * 7/2020 Xiao D13/103
D906,967 S * 1/2021 Xiao D13/168
D911,925 S * 3/2021 Xie D13/103
D911,930 S * 3/2021 Xie D13/103
D912,616 S * 3/2021 He D13/103
D933,590 S * 10/2021 Wu D13/103
D942,394 S * 2/2022 Wang D13/119
D942,948 S * 2/2022 Song D13/119

* cited by examiner

Primary Examiner — Nathaniel D. Buckner

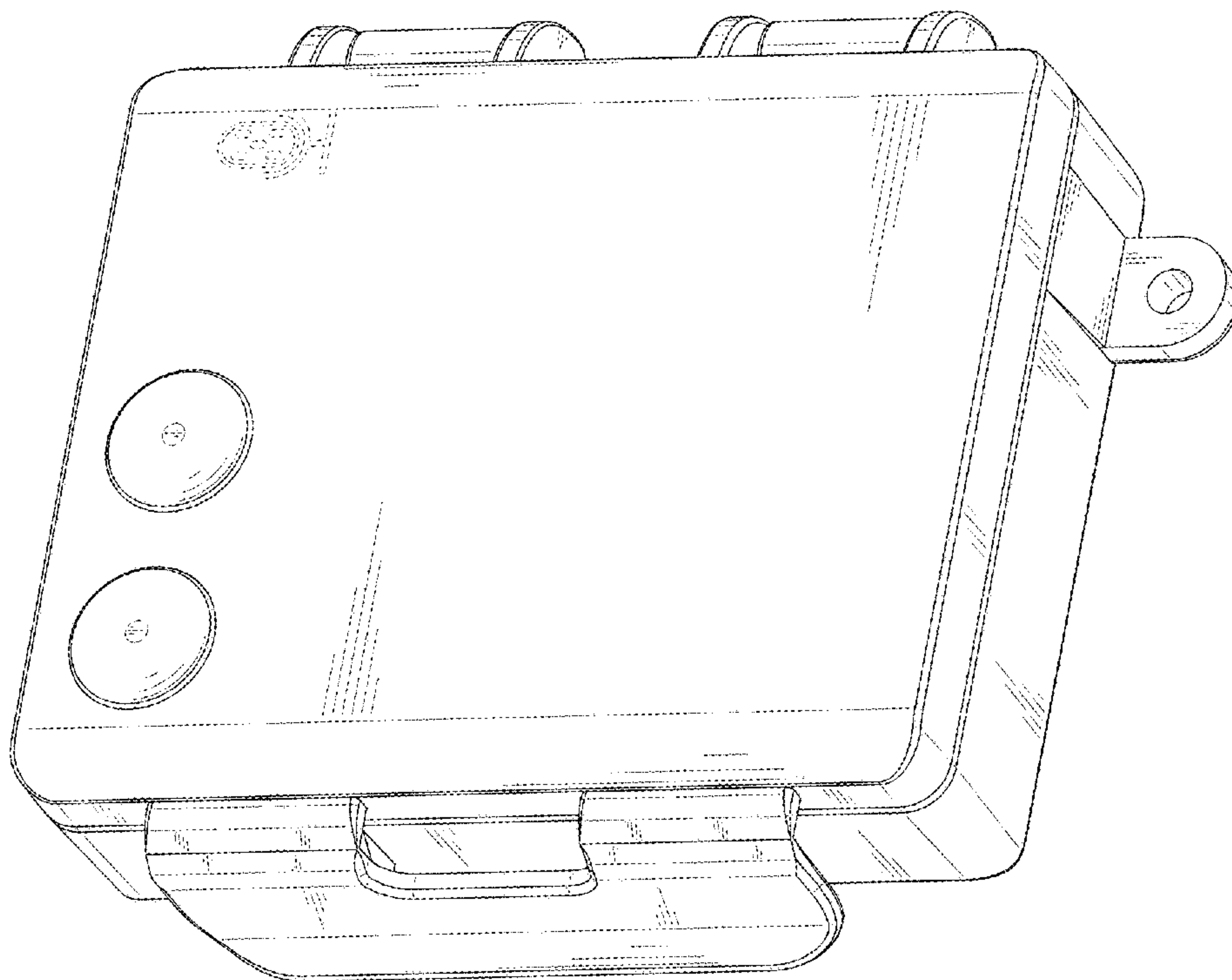
(57) **CLAIM**

The ornamental design for a battery box controller, as shown and described.

DESCRIPTION

FIG. 1 is a perspective view of a battery box controller showing my new design;
FIG. 2 is another perspective view thereof;
FIG. 3 is a front elevational view thereof;
FIG. 4 is a rear elevational view thereof;
FIG. 5 is a left side elevational view thereof;
FIG. 6 is a right side elevational view thereof;
FIG. 7 is a top plan view thereof; and,
FIG. 8 is a bottom plan view thereof.
The broken lines in the drawings depict portions of the battery box controller that form no part of the claimed design.

1 Claim, 8 Drawing Sheets



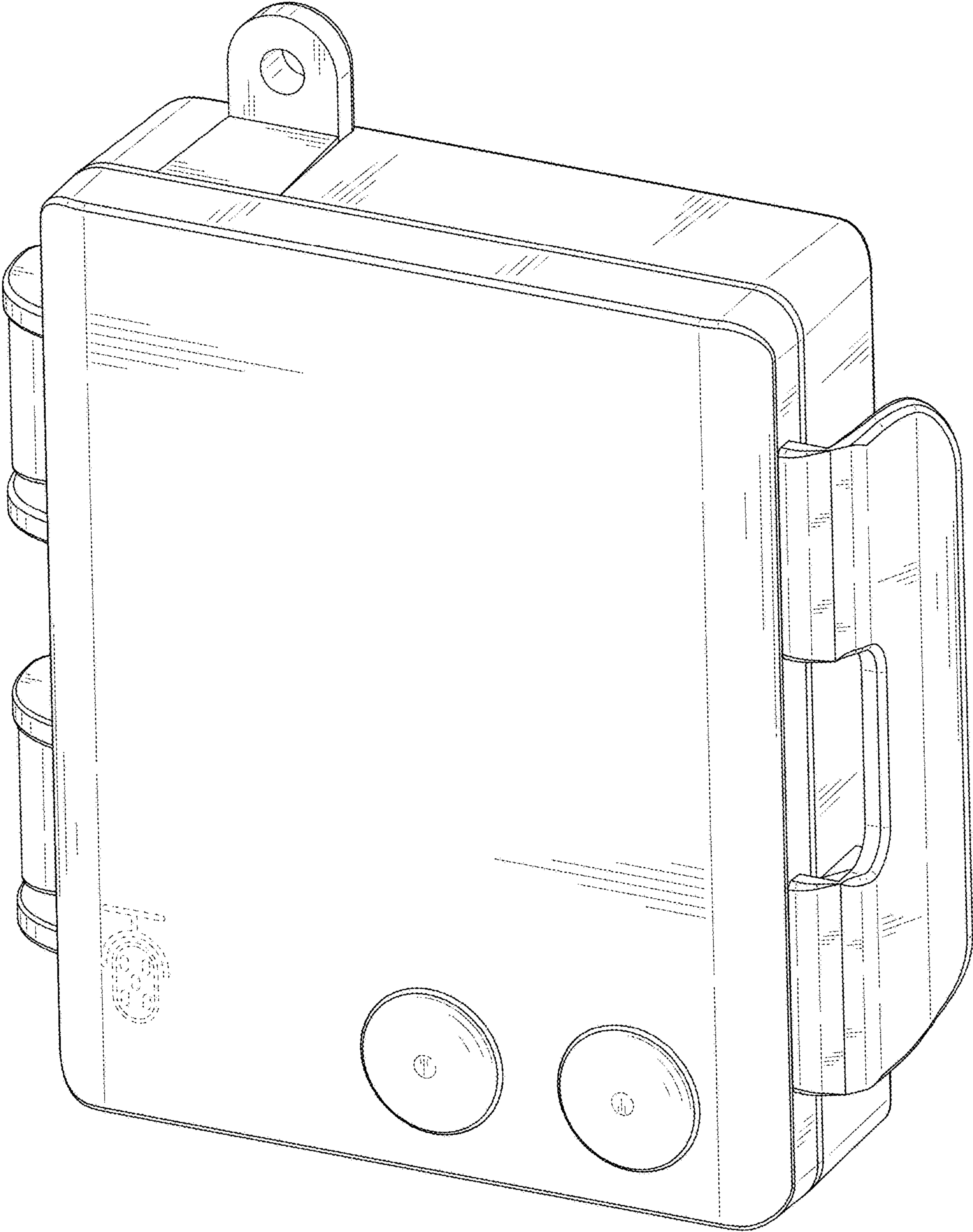


FIG. 1

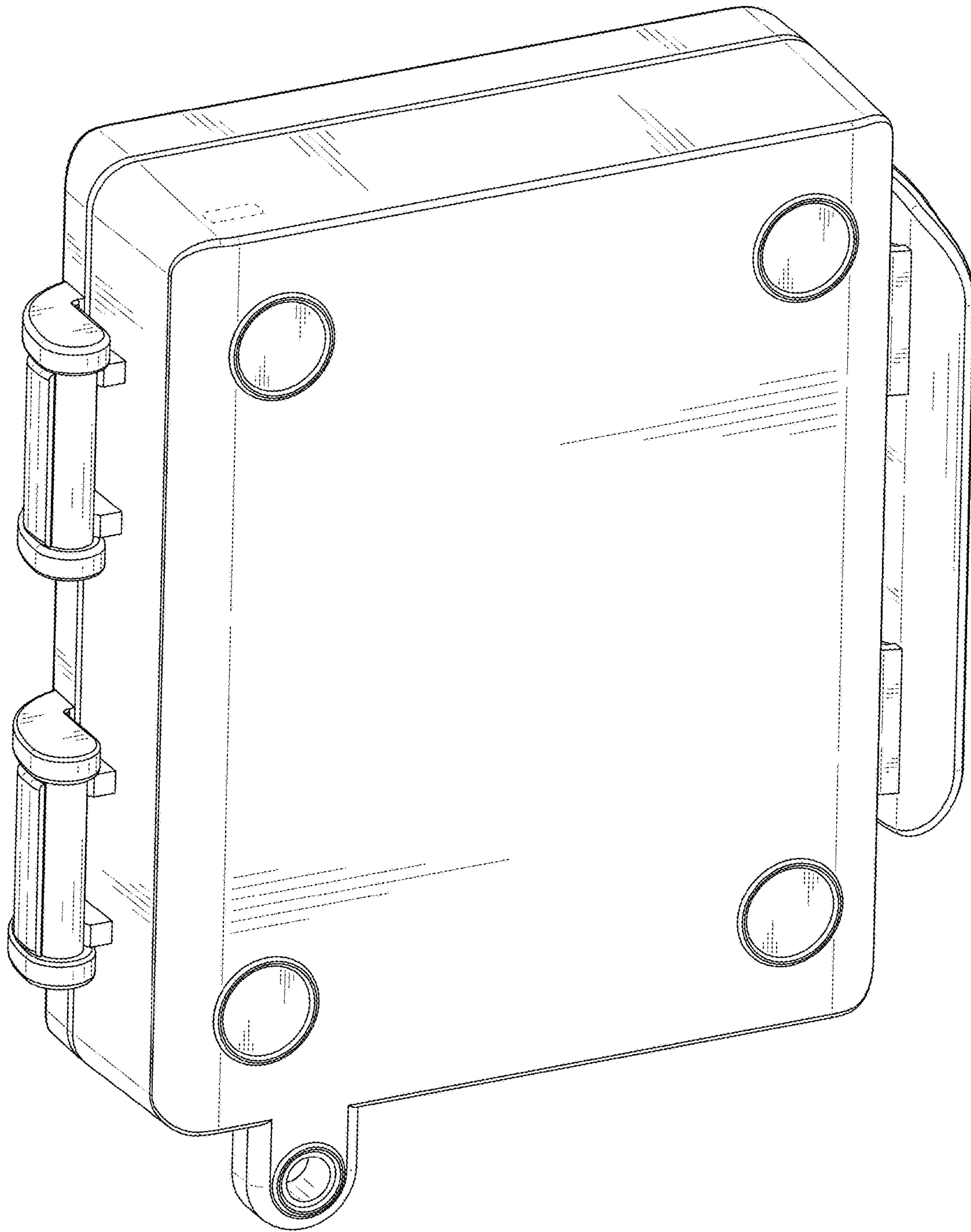


FIG. 2

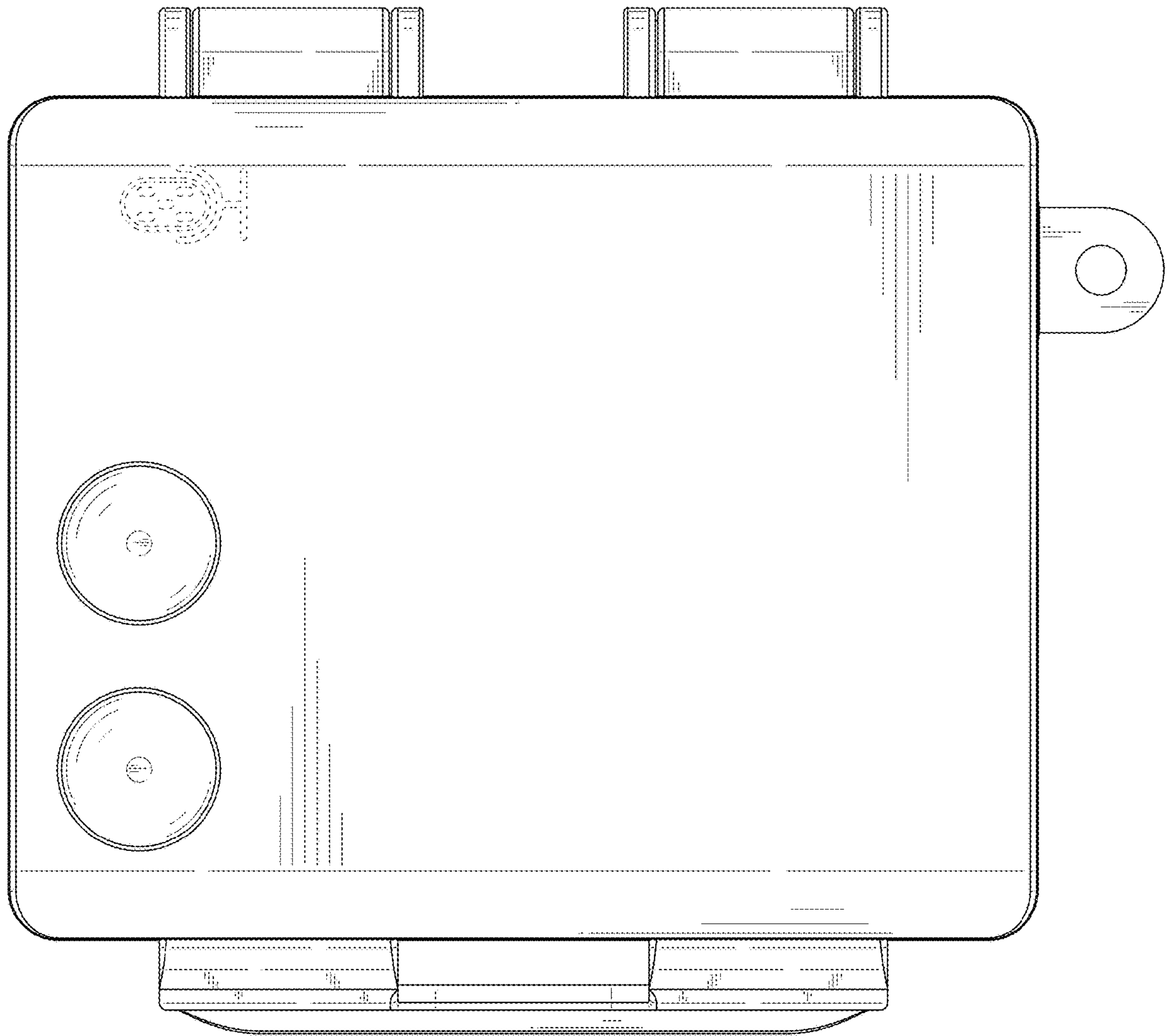


FIG. 3

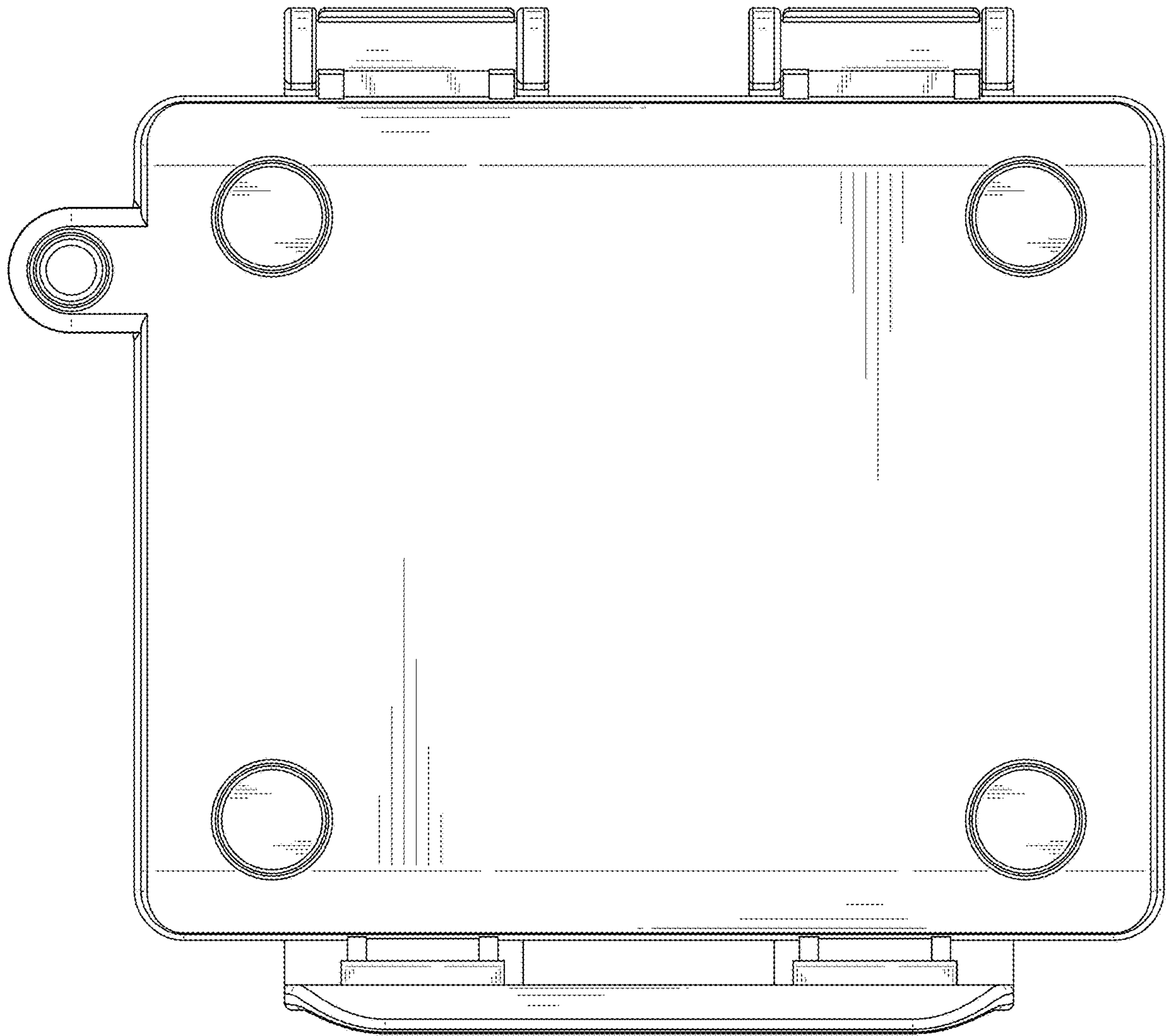


FIG. 4

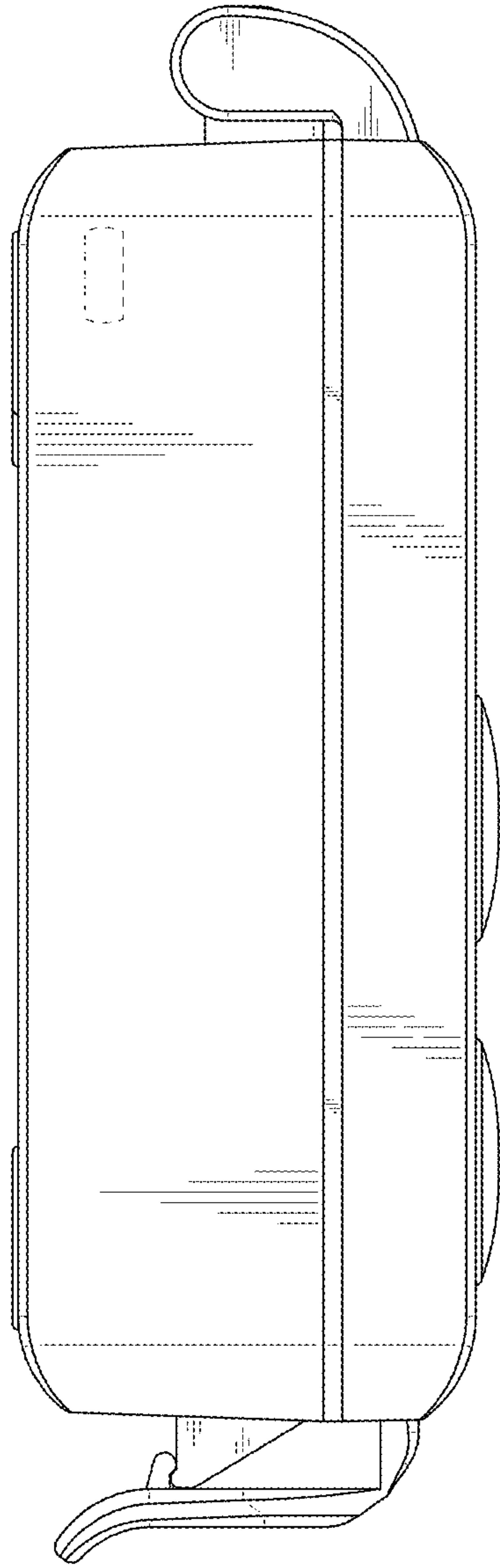


FIG. 5

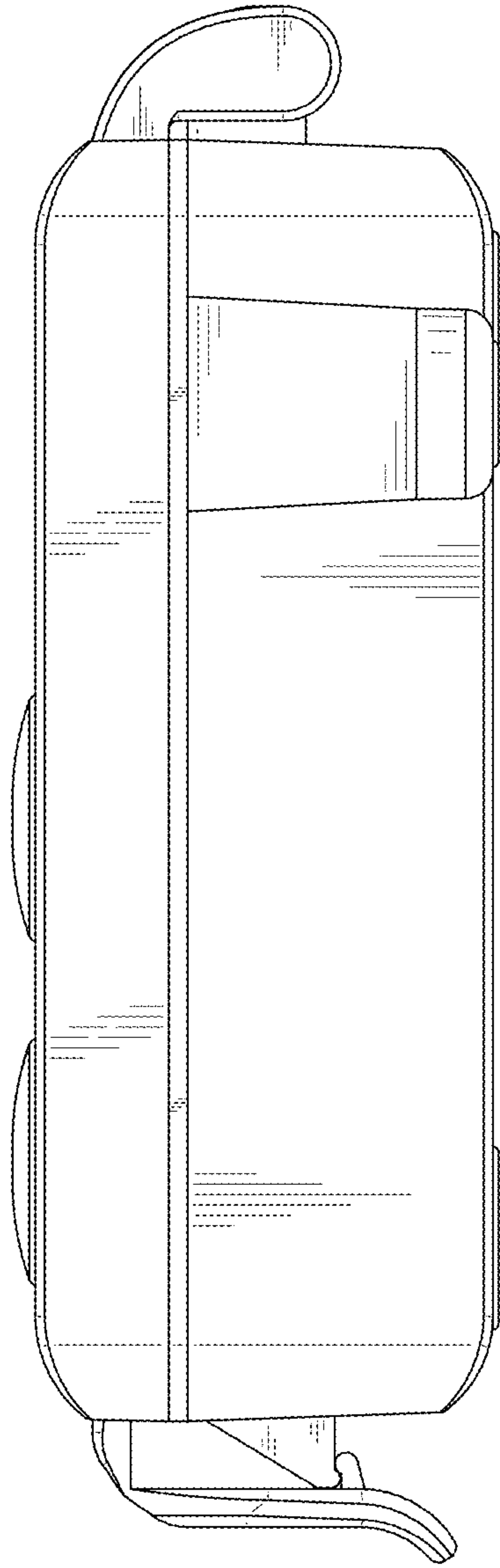


FIG. 6

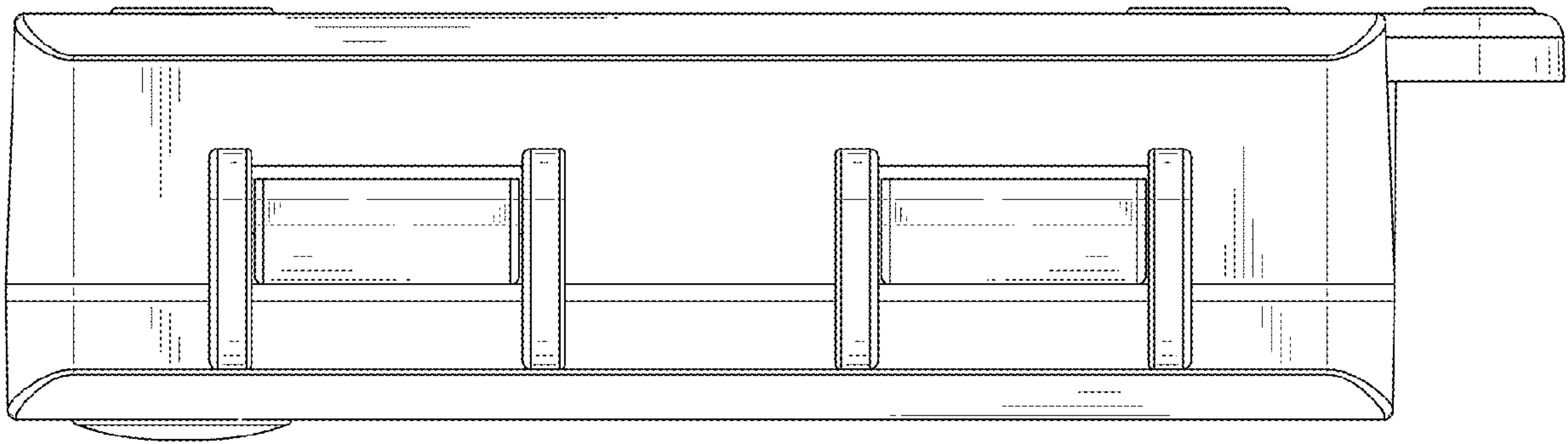


FIG. 7

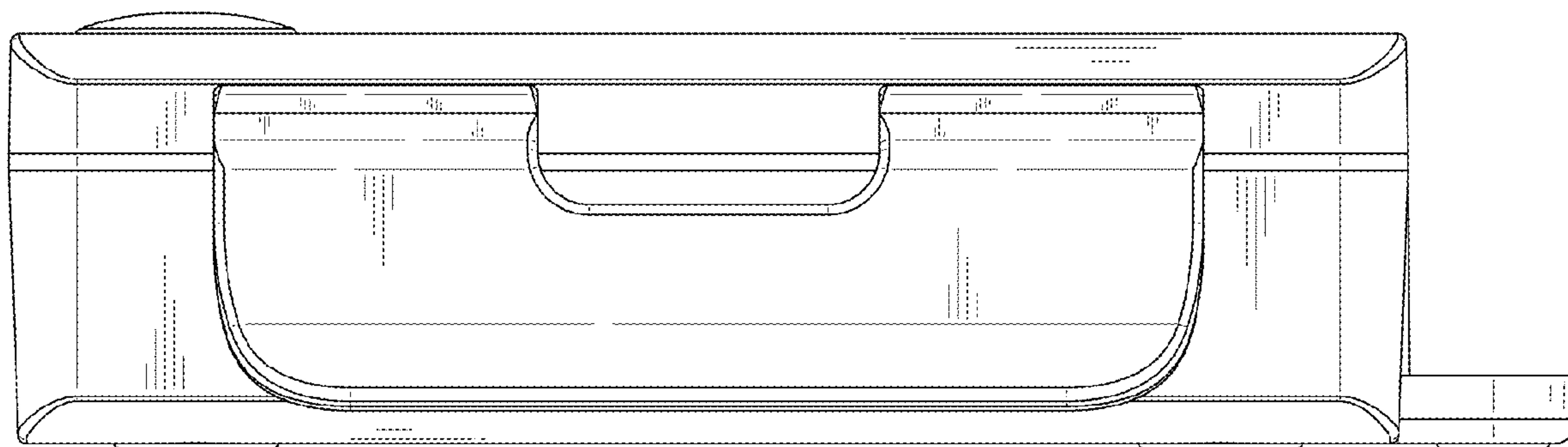


FIG. 8