



US00D964933S

(12) **United States Design Patent** (10) **Patent No.:** **US D964,933 S**
Li (45) **Date of Patent:** **** Sep. 27, 2022**

(54) **POWER PLUG**

(71) Applicant: **LINHAI QIGUANG LIGHTING CO., LTD.**, Taizhou (CN)

(72) Inventor: **Yue Li**, Linhai (CN)

(73) Assignee: **LINHAI QIGUANG LIGHTING CO., LTD.**, Taizhou (CN)

(**) Term: **15 Years**

(21) Appl. No.: **29/816,895**

(22) Filed: **Nov. 25, 2021**

(51) **LOC (13) Cl.** **13-02**

(52) **U.S. Cl.**
USPC **D13/110**

(58) **Field of Classification Search**

USPC D13/107, 108, 110, 137.1, 137.2, 137.3, D13/137.4, 138.1, 138.2, 139.1, 139.2, D13/139.3, 139.4, 139.5, 139.6, 139.7, D13/139.8, 146, 151, 152, 153, 154, 158, D13/159, 160, 161, 162, 162.1, 163, 164, D13/165, 166, 167, 168, 169, 171, 172, D13/173, 174, 175, 176, 177, 178, 179, D13/184, 199
CPC H01R 13/00; H01R 13/03; H01R 13/04; H01R 13/10; H01R 13/35; H01R 13/44; H01R 13/46; H01R 13/453; H01R 13/4534; H01R 13/502; H01R 13/506; H01R 13/514; H01R 13/518; H01R 13/6272; H01R 13/631; H01R 13/639; H01R 13/652; H01R 13/665; H01R 13/6633; H01R 13/6666; H01R 13/6675; H01R 13/7135; H01R 31/02; H01R 31/06; H01R 31/065; H01R 25/00; H01R 25/006; H01R 9/00; H01R 11/00; H01R 35/04; H01R 2201/06; H01H 2207/00; H01H 2207/022; H01H 2203/00; H05K 5/00; H05K 5/03; H02G 3/088

See application file for complete search history.

(56) **References Cited**

U.S. PATENT DOCUMENTS

D94,143 S * 12/1934 Hill D13/137.1
D127,010 S * 5/1941 Judisch D13/137.1
D258,429 S * 3/1981 Buckler D13/138.1

(Continued)

FOREIGN PATENT DOCUMENTS

CN 307369413 * 5/2022
CN 307377061 * 5/2022

OTHER PUBLICATIONS

“Waterproof Led Fairy String Lights Garland Meteor Shower Lights Christmas Decorations Lights”, first accessed Jun. 9, 2022. Alibaba.com [https://www.alibaba.com/product-detail/Waterproof-Led-Fairy-String-Lights-Garland_1600383966741.html?spm=a2700.shop_plgr-41413.13.530c2cc%E2%80%A6] (Year: 2022).*

(Continued)

Primary Examiner — Rosemary K Tarcza

Assistant Examiner — Seth David Kumpf

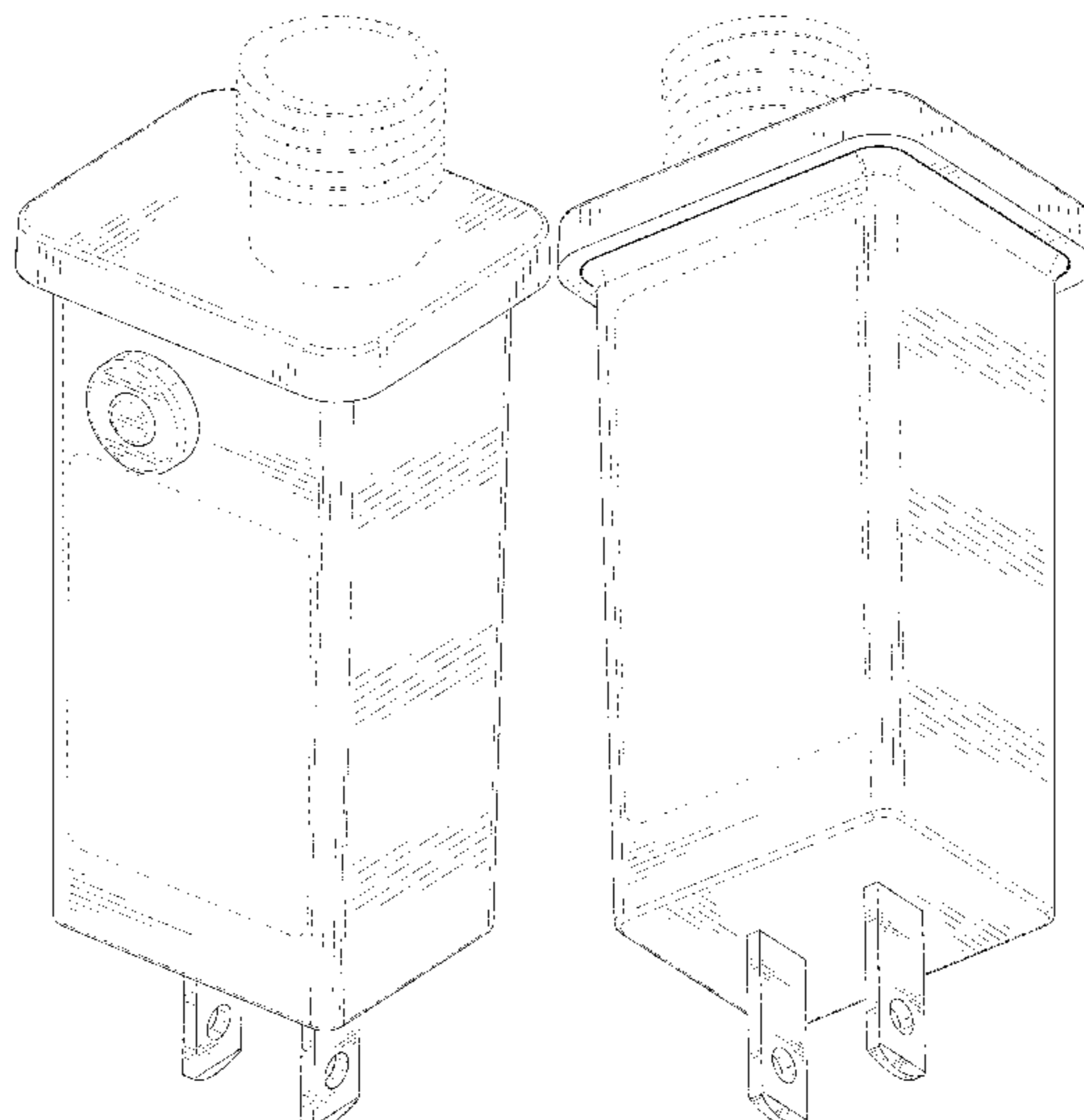
(57) **CLAIM**

The ornamental design for a power plug, as shown and described.

DESCRIPTION

FIG. 1 is a perspective view of a power plug showing my new design;
FIG. 2 is another perspective view thereof;
FIG. 3 is a front elevational view thereof;
FIG. 4 is a rear elevational view thereof;
FIG. 5 is a left side elevational view thereof;
FIG. 6 is a right side elevational view thereof;
FIG. 7 is a top plan view thereof; and,
FIG. 8 is a bottom plan view thereof.
The broken lines in the drawings depict portions of the power plug that form no part of the claimed design.

1 Claim, 8 Drawing Sheets



(56)

References Cited

U.S. PATENT DOCUMENTS

D295,622 S * 5/1988 Good D13/137.3
 D315,141 S * 3/1991 Hames D13/160
 D367,262 S * 2/1996 Lux D13/137.3
 D434,378 S * 11/2000 Ullmann D13/138.1
 D640,631 S * 6/2011 Smith D13/138.1
 8,047,873 B1 * 11/2011 Wang H01R 13/5202
 439/589
 D687,778 S * 8/2013 Utz D13/133
 RE46,006 E * 5/2016 Uekihara D13/110
 D829,662 S 10/2018 Kusano et al.
 D910,557 S * 2/2021 Huang D13/110
 D922,321 S 6/2021 Wu
 D952,561 S * 5/2022 Huang D13/110
 2019/0081431 A1 * 3/2019 Heyman H01R 31/065
 2019/0280524 A1 * 9/2019 Wan H01R 13/70
 2021/0143573 A1 * 5/2021 Zhang H01R 13/521

OTHER PUBLICATIONS

“Outdoor Waterproof IP65 christmas Leather line lights 100m 800 LED wedding Holiday decoration fairy copper wire string lights”, first accessed Jun. 9, 2022. Alibaba.com [https://www.alibaba.com/product-detail/Outdoor-Waterproof-IP65-christmas-Leather-line_1600380751731.html] (Year: 2022).*

“Color Changing Garland Window Curtain Christmas Party Lighting Festival Decoration String Light”, first accessed Jun. 9, 2022. Alibaba.com [https://www.alibaba.com/product-detail/Color-Changing-Garland-Window-Curtain-Christmas_1600383655808.html] (Year: 2022).*

“Amazon Hot Sale Ramadan Christmas Lights 10m 100led 33ft 8 Modes Holiday Lighting Decoration Fairy Led Star String Lights”, first accessed Jun. 9, 2022. Alibaba.com [https://www.alibaba.com/product-detail/Amazon-Hot-Sale-Ramadan-Christmas-Lights_60688891148.html] (Year: 2022).*

* cited by examiner

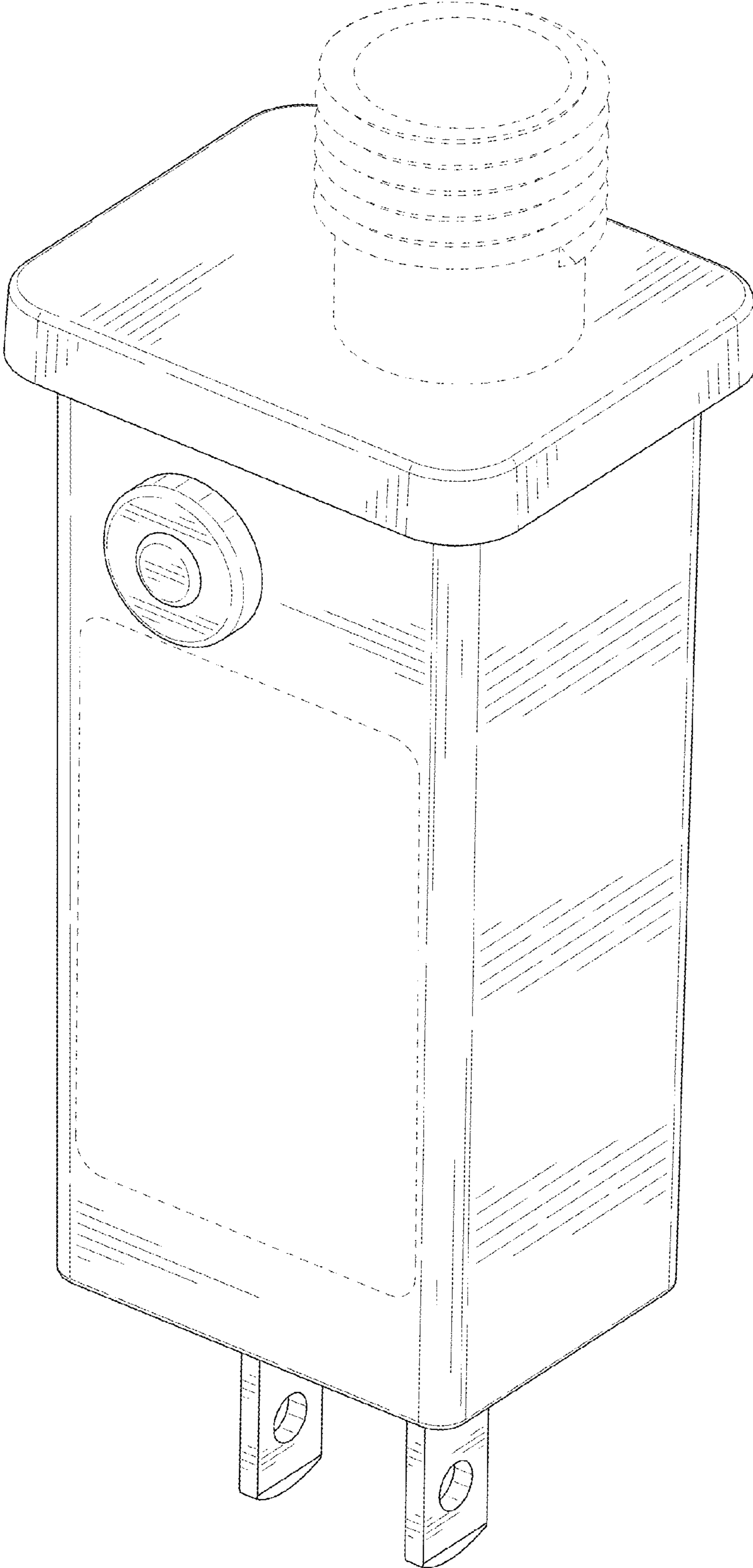


FIG. 1

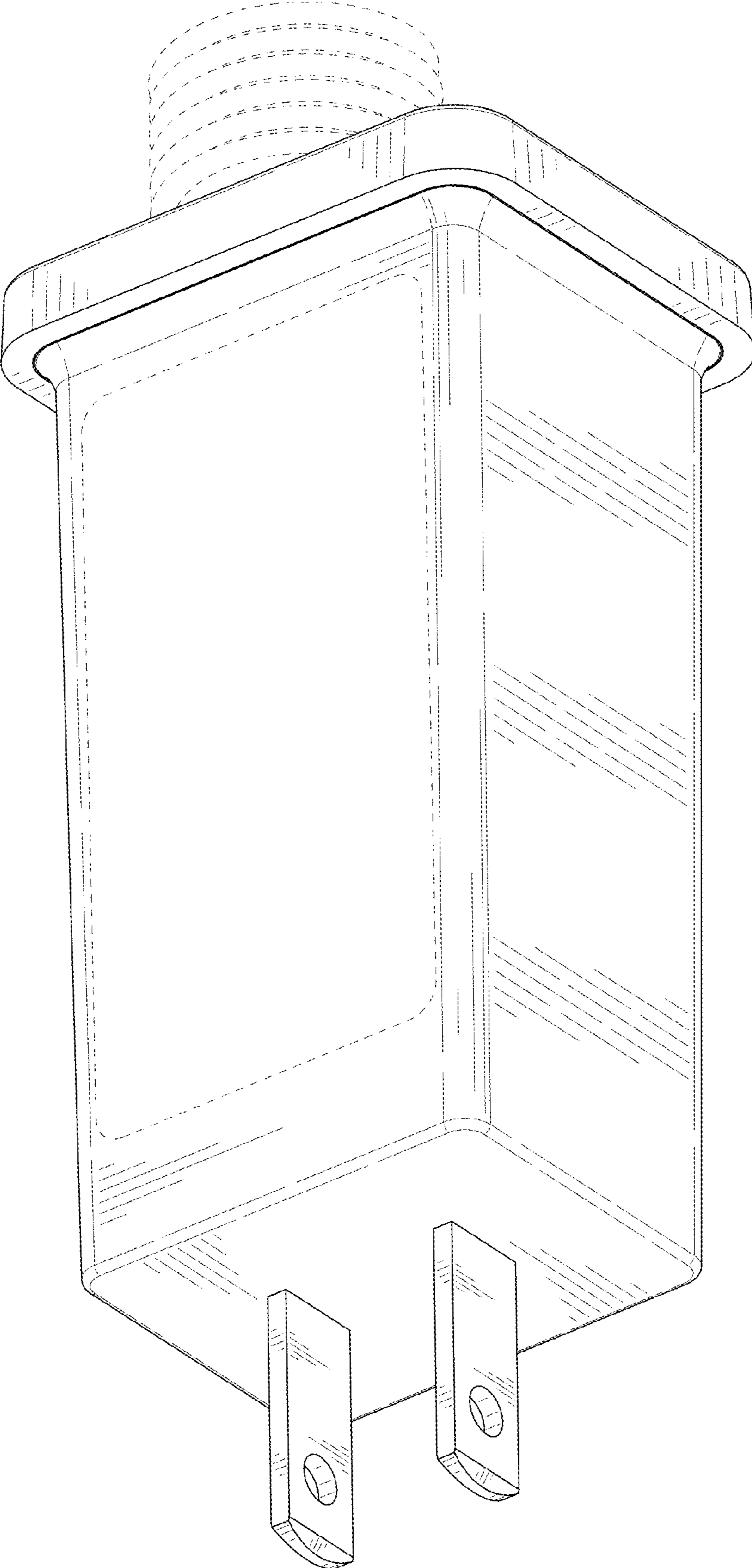


FIG. 2

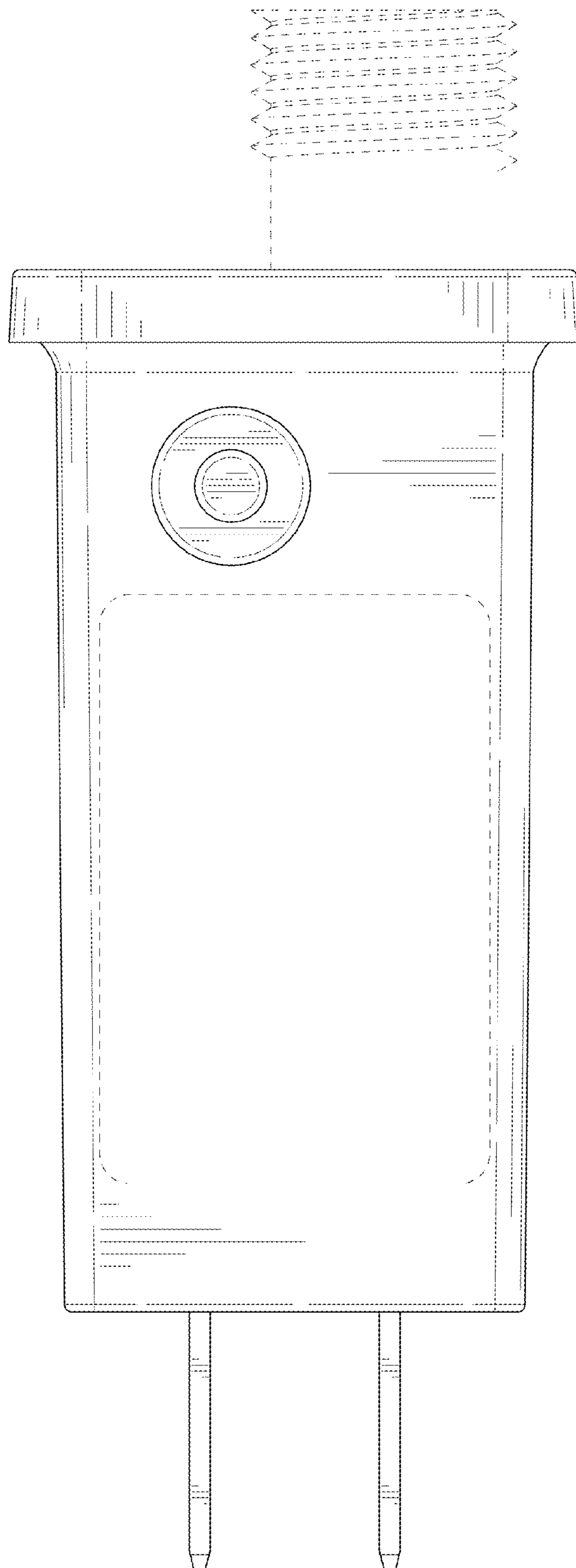


FIG. 3

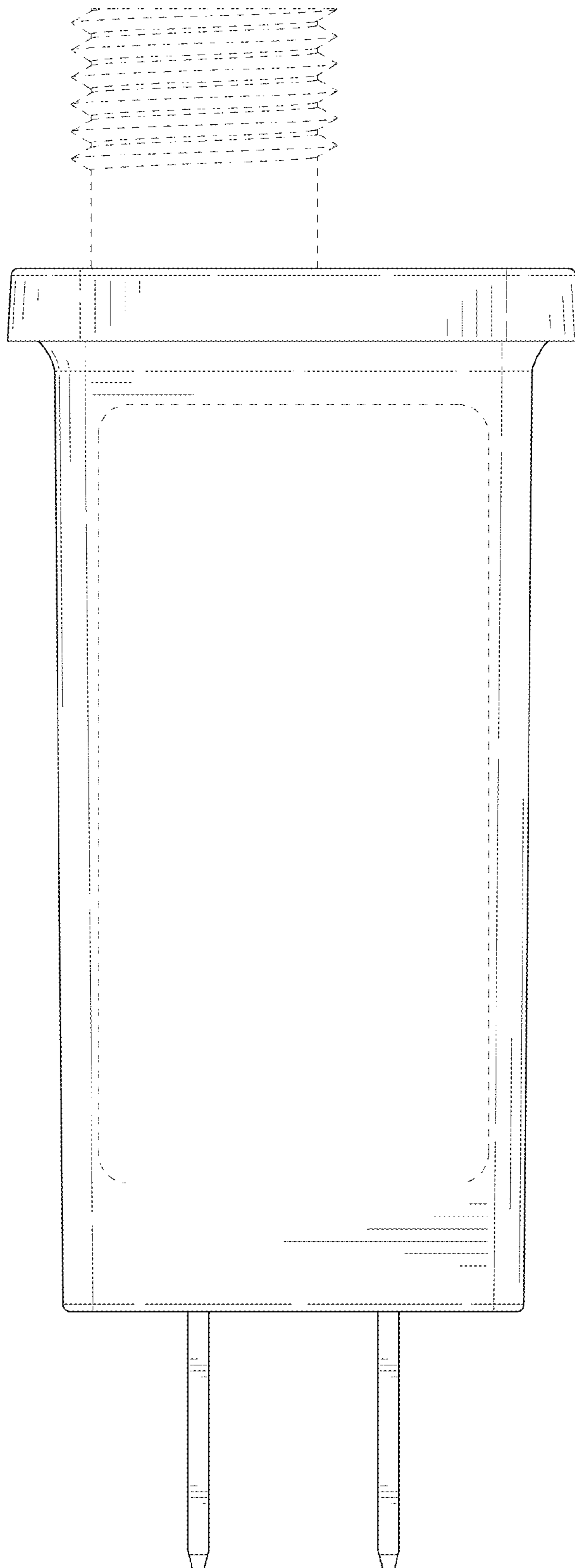


FIG. 4

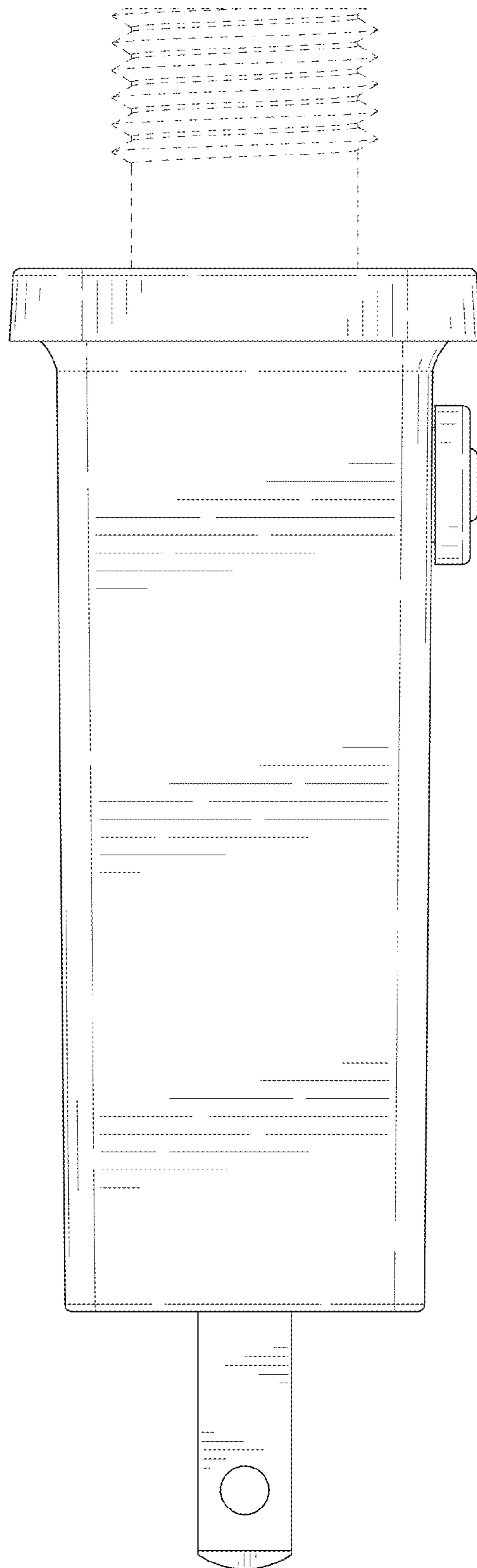


FIG. 5

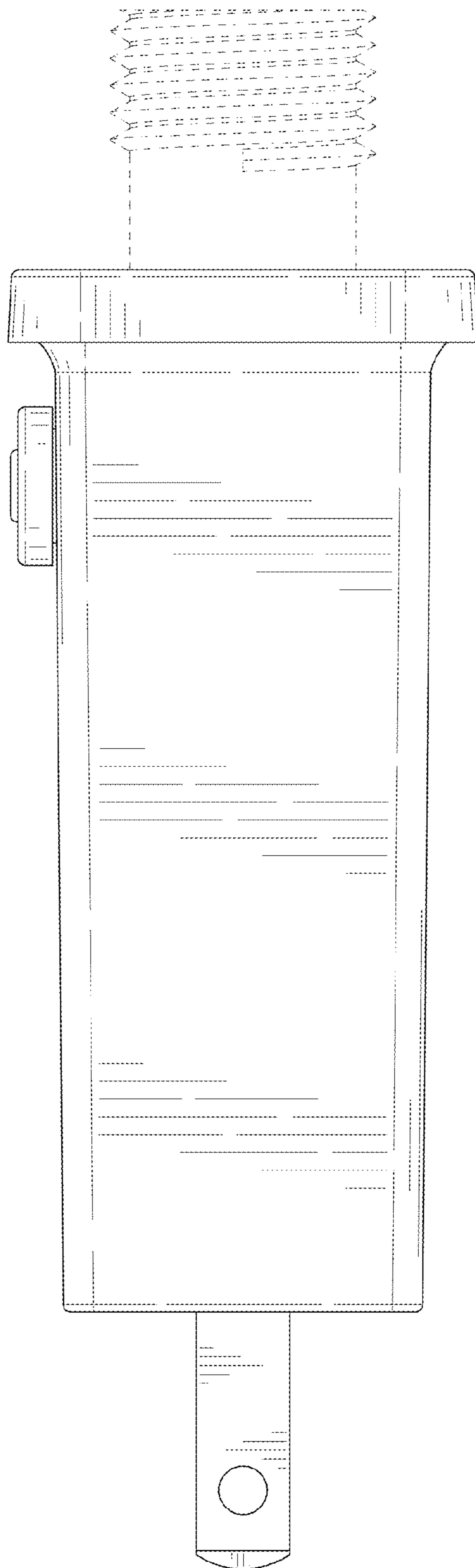


FIG. 6

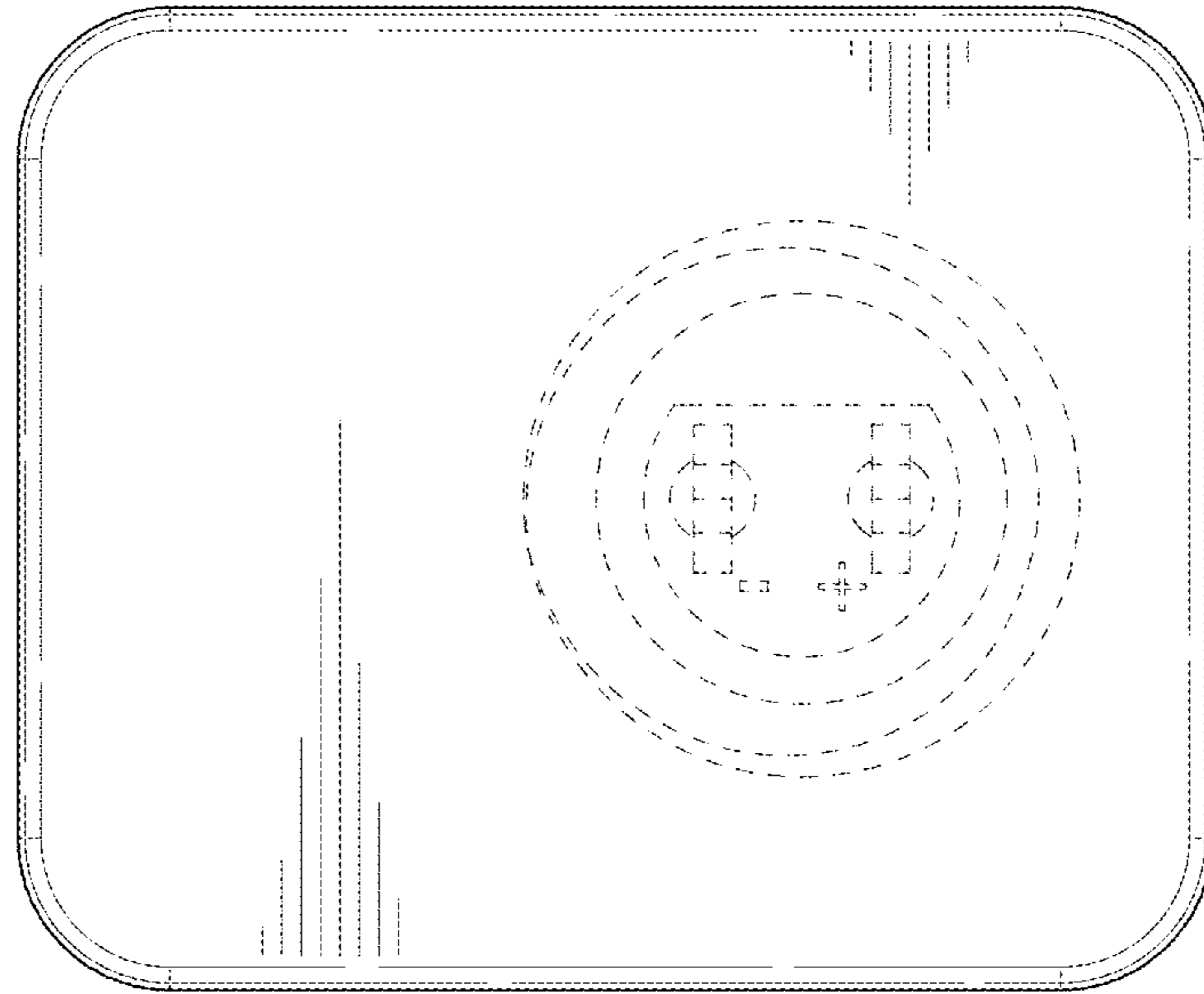


FIG. 7

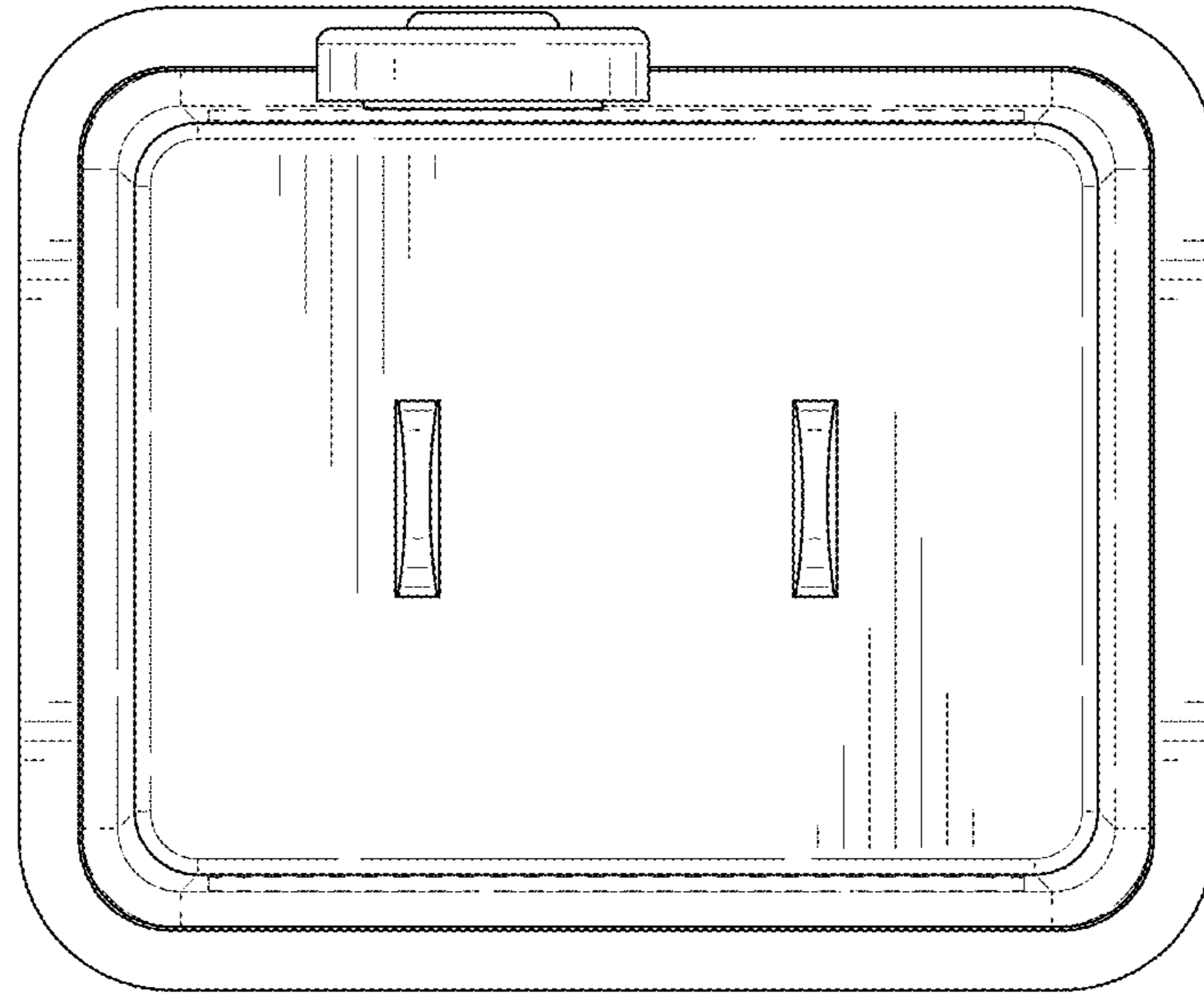


FIG. 8