



US00D964931S

(12) **United States Design Patent** (10) **Patent No.:** **US D964,931 S**
Yi (45) **Date of Patent:** **** Sep. 27, 2022**

(54) **WIRELESS CHARGER**

(71) Applicant: **Guanyu (Dongguan) Intelligent Technology Co., Ltd.**, Dongguan (CN)

(72) Inventor: **Shoufeng Yi**, Yichun (CN)

(**) Term: **15 Years**

(21) Appl. No.: **29/802,214**

(22) Filed: **Aug. 3, 2021**

(51) **LOC (13) Cl.** **13-02**

(52) **U.S. Cl.**
USPC **D13/108**; D10/15

(58) **Field of Classification Search**
USPC D13/103, 107, 108, 118, 119, 184, 199;
D10/2, 15; D14/251, 252, 253, 432, 433,
D14/434, 439, 447
CPC H02J 15/00; H02J 7/0027; H01M 10/00
See application file for complete search history.

(56) **References Cited**

U.S. PATENT DOCUMENTS

D348,397 S *	7/1994	Davis	D10/15
D876,965 S *	3/2020	Long	D10/2
D887,354 S *	6/2020	Urasini	D13/108
D892,733 S *	8/2020	Koshel	D13/108
D893,417 S *	8/2020	Wang	D13/108
D897,955 S *	10/2020	Kim	D13/108
D913,221 S *	3/2021	Druce	D13/108
D922,948 S	6/2021	Wang et al.		
D936,575 S *	11/2021	Feng	D13/108
D936,578 S *	11/2021	Zhu	D13/108
D940,654 S *	1/2022	Lin	D13/108
D943,515 S *	2/2022	Hwangbo	D13/107
2009/0102419 A1 *	4/2009	Gwon	H02J 50/005 320/108
2010/0041333 A1 *	2/2010	Ungari	H02J 7/00 455/66.1

FOREIGN PATENT DOCUMENTS

EM 008628903-0001 * 8/2021

OTHER PUBLICATIONS

“Logitech BASE charging station”. Found online May 17, 2022 at amazon.de. Reference dated Aug. 30, 2015. Retrieved from <https://www.amazon.de/-/en/939-001471-Connector-technology-10-5-inch-12-9-inch/dp/B01IW64JWS>. (Year: 2015).*

“Olight L Dock Kit”. Found online Apr. 7, 2021 at amazon.com. Reference dated Apr. 23, 2019. Retrieved from <https://www.amazon.com/OLIGHT-Dock-Works-Seeker-Compatible/dp/B07QWSDRZD>. (Year: 2019).*

“SleepHalo”. Found online Apr. 18, 2022 at facebook.com. Reference dated Jan. 13, 2021. Retrieved from https://www.facebook.com/sleephalo/posts/101128381968264?_tn_=-R. (Year: 2021).*

* cited by examiner

Primary Examiner — Kendra Leslie Hamilton

Assistant Examiner — Amanda Christensen

(57) **CLAIM**

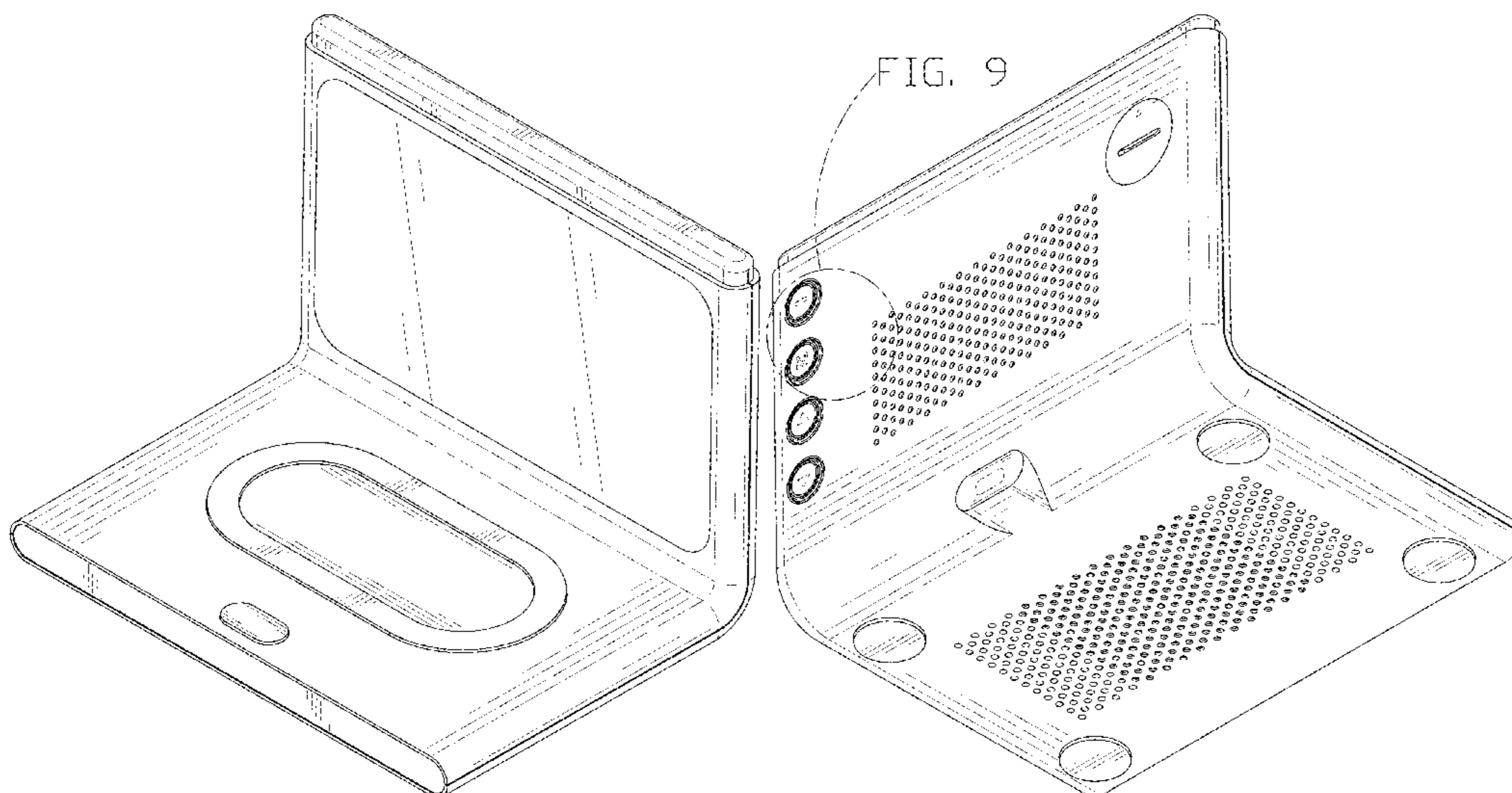
The ornamental design for a wireless charger, as shown and described.

DESCRIPTION

FIG. 1 is a front and top perspective view of a wireless charger, showing my new design;
FIG. 2 is a rear and bottom perspective view thereof;
FIG. 3 is a front elevation view thereof;
FIG. 4 is a rear elevation view thereof;
FIG. 5 is a left side elevation view thereof;
FIG. 6 is a right side elevation view thereof;
FIG. 7 is a top plan view thereof;
FIG. 8 is a bottom plan view thereof; and,
FIG. 9 is an enlarged view of a portion labeled, ‘FIG. 9’ in FIG. 2.

The broken lines in the drawings depict portions of the wireless charger that form no part of the claimed design.

1 Claim, 9 Drawing Sheets



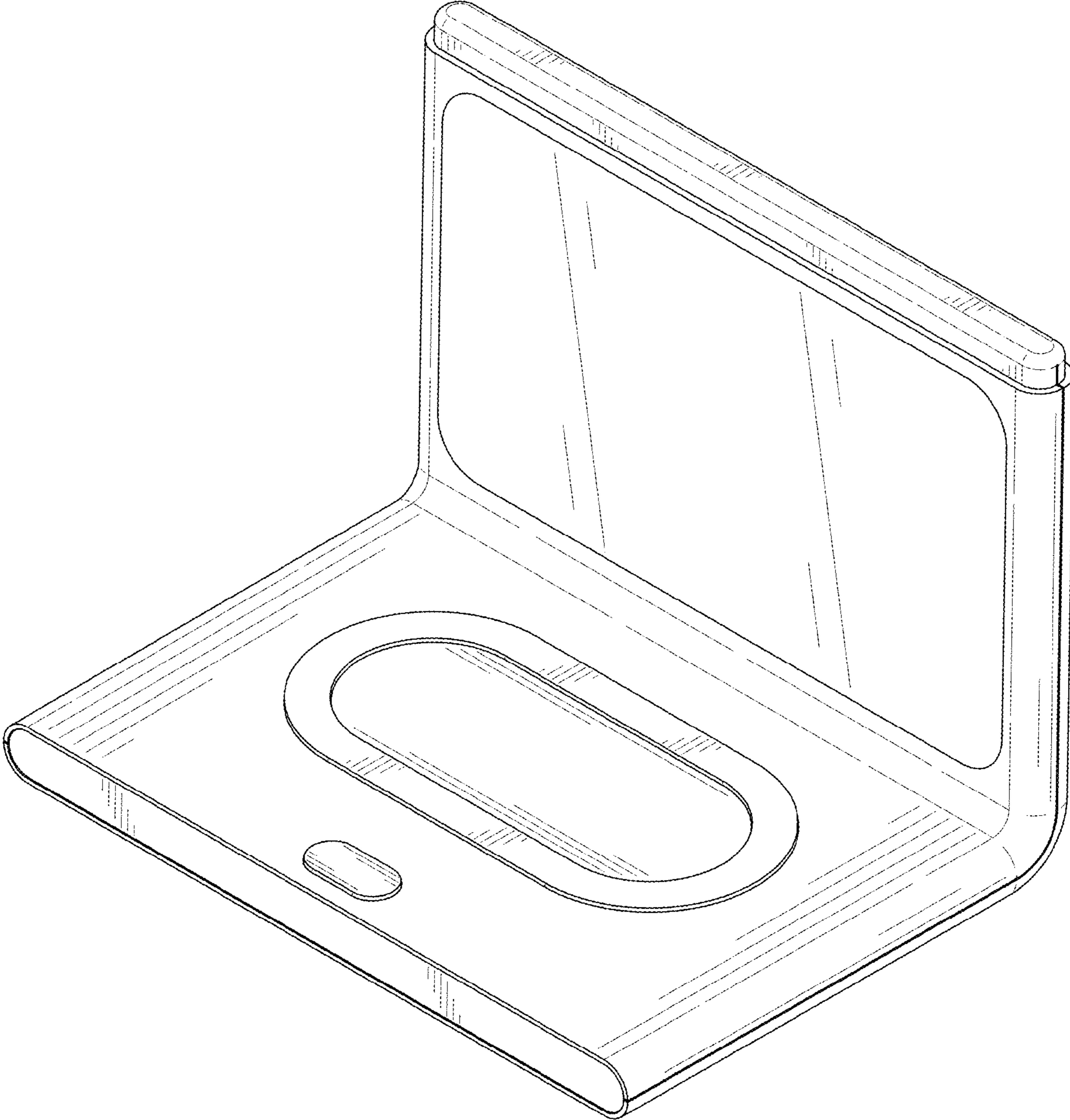


FIG. 1

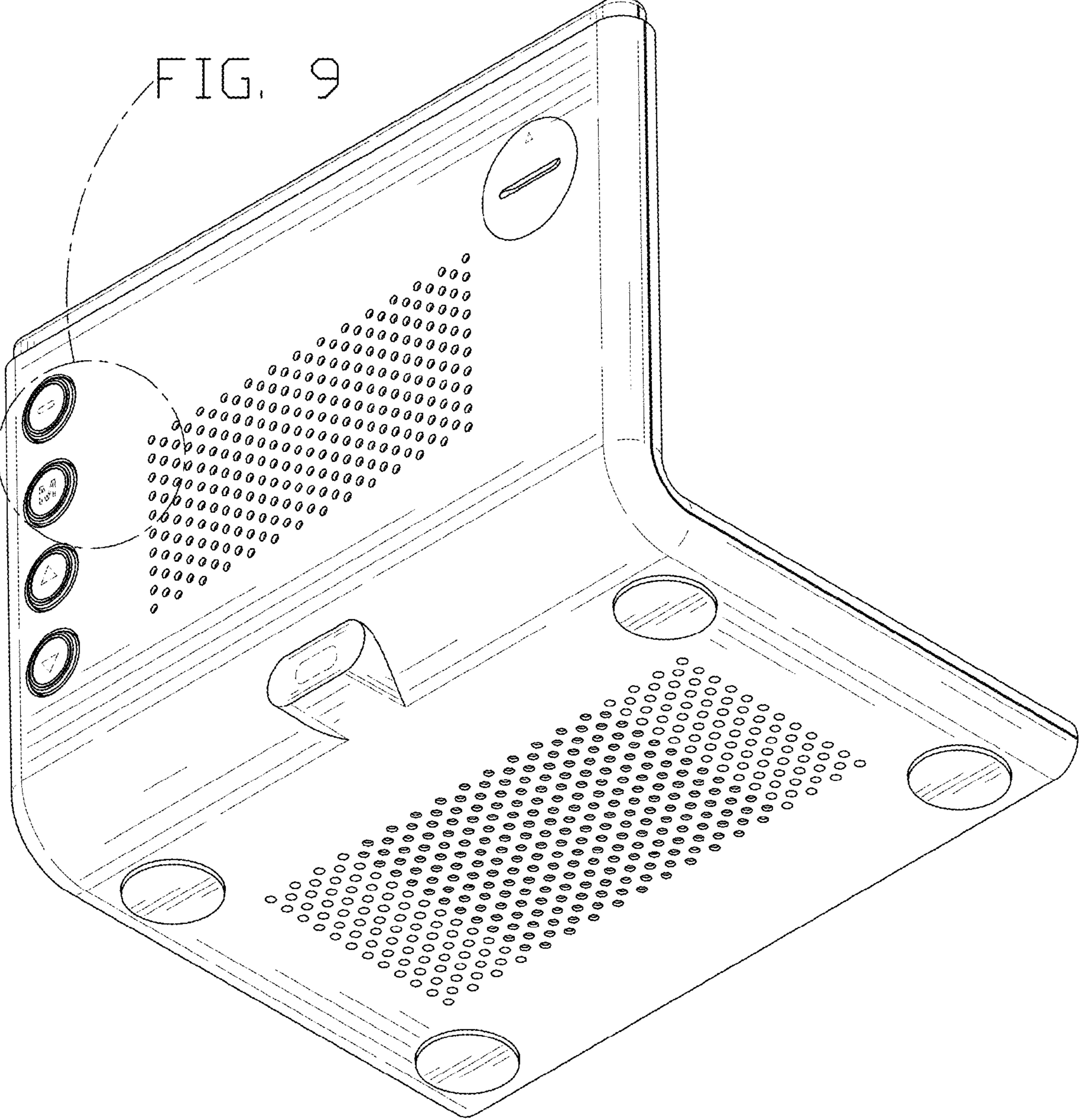


FIG. 9

FIG. 2

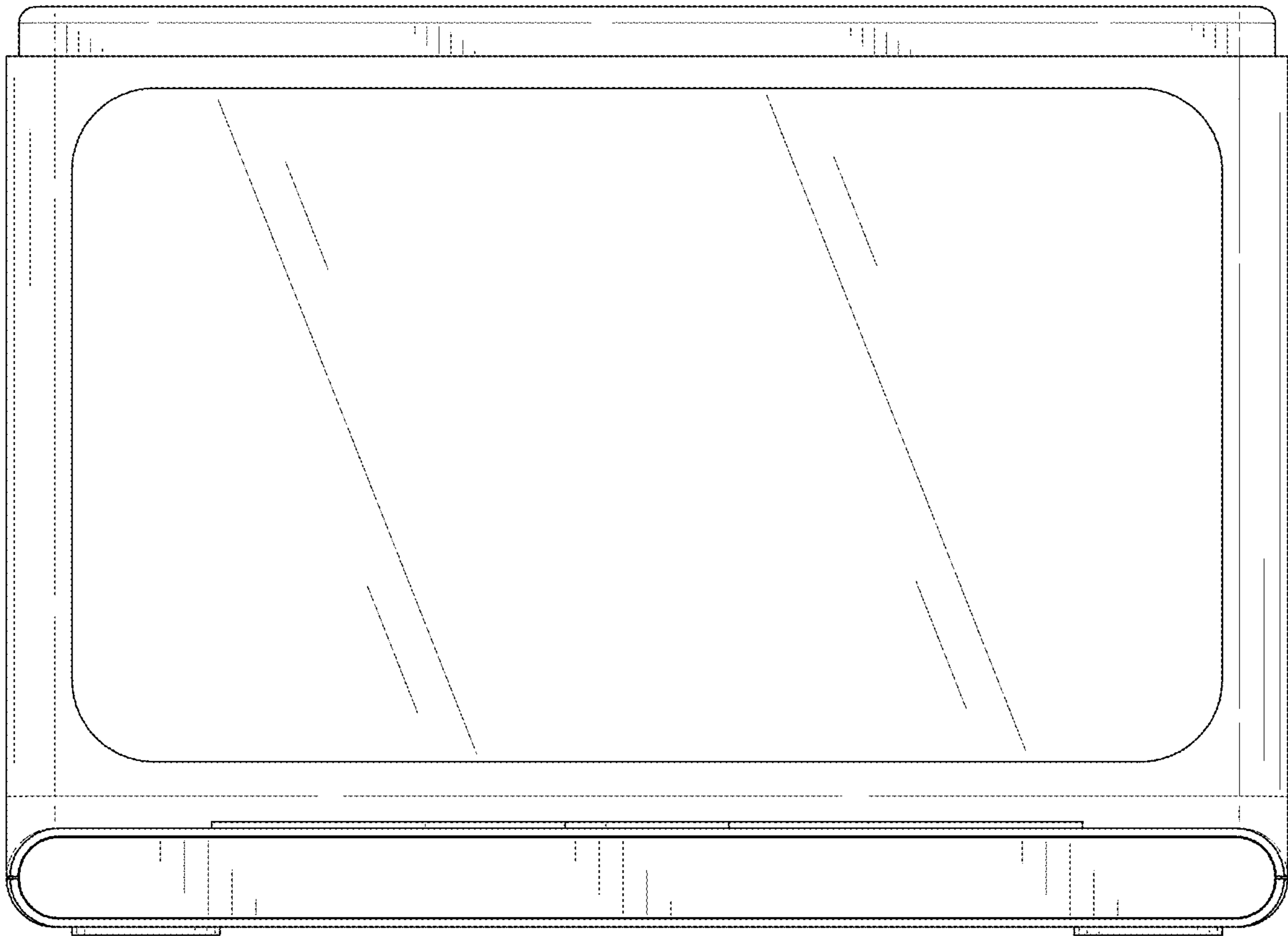


FIG. 3

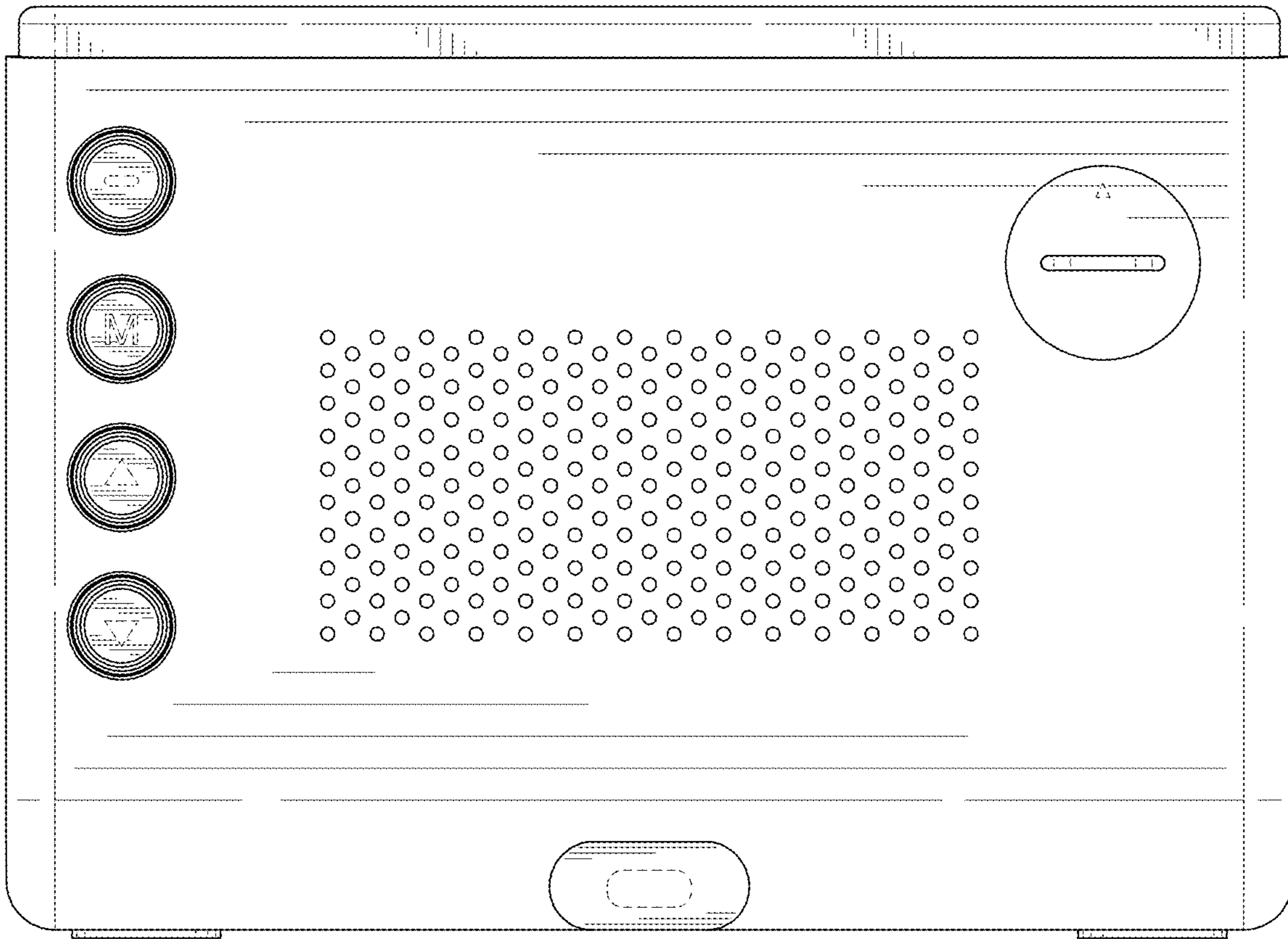


FIG. 4

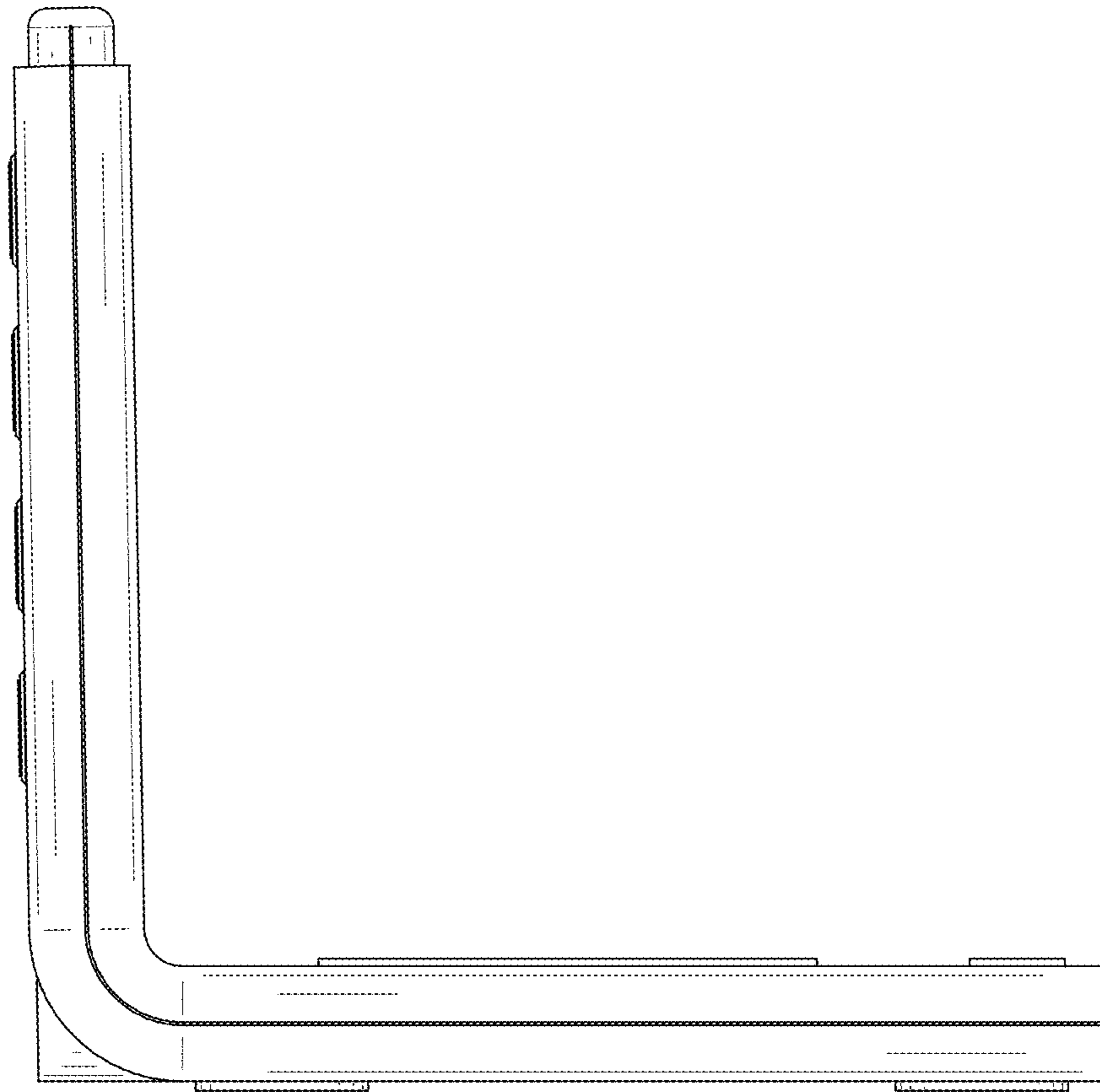


FIG. 5

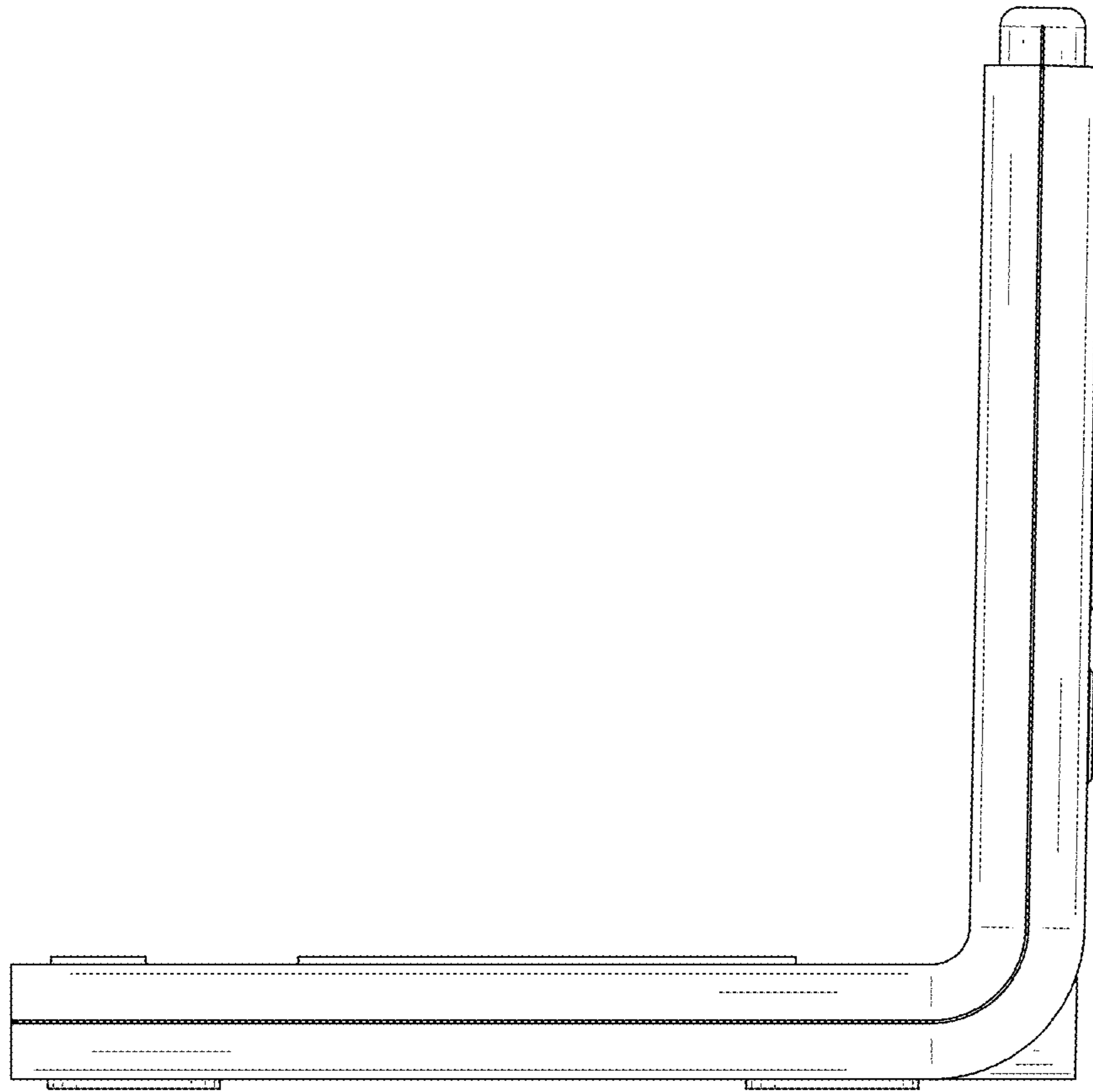


FIG. 6

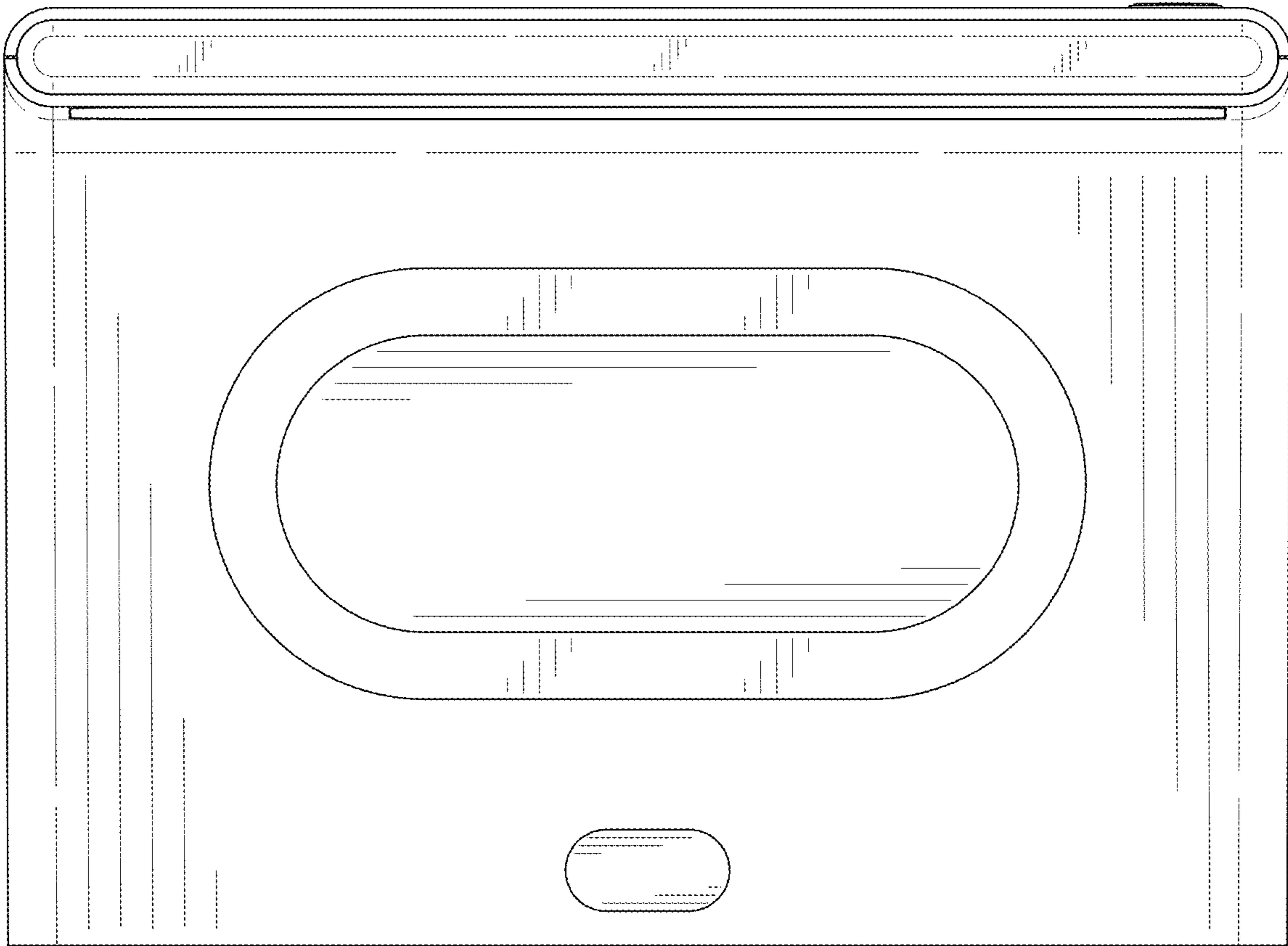


FIG. 7

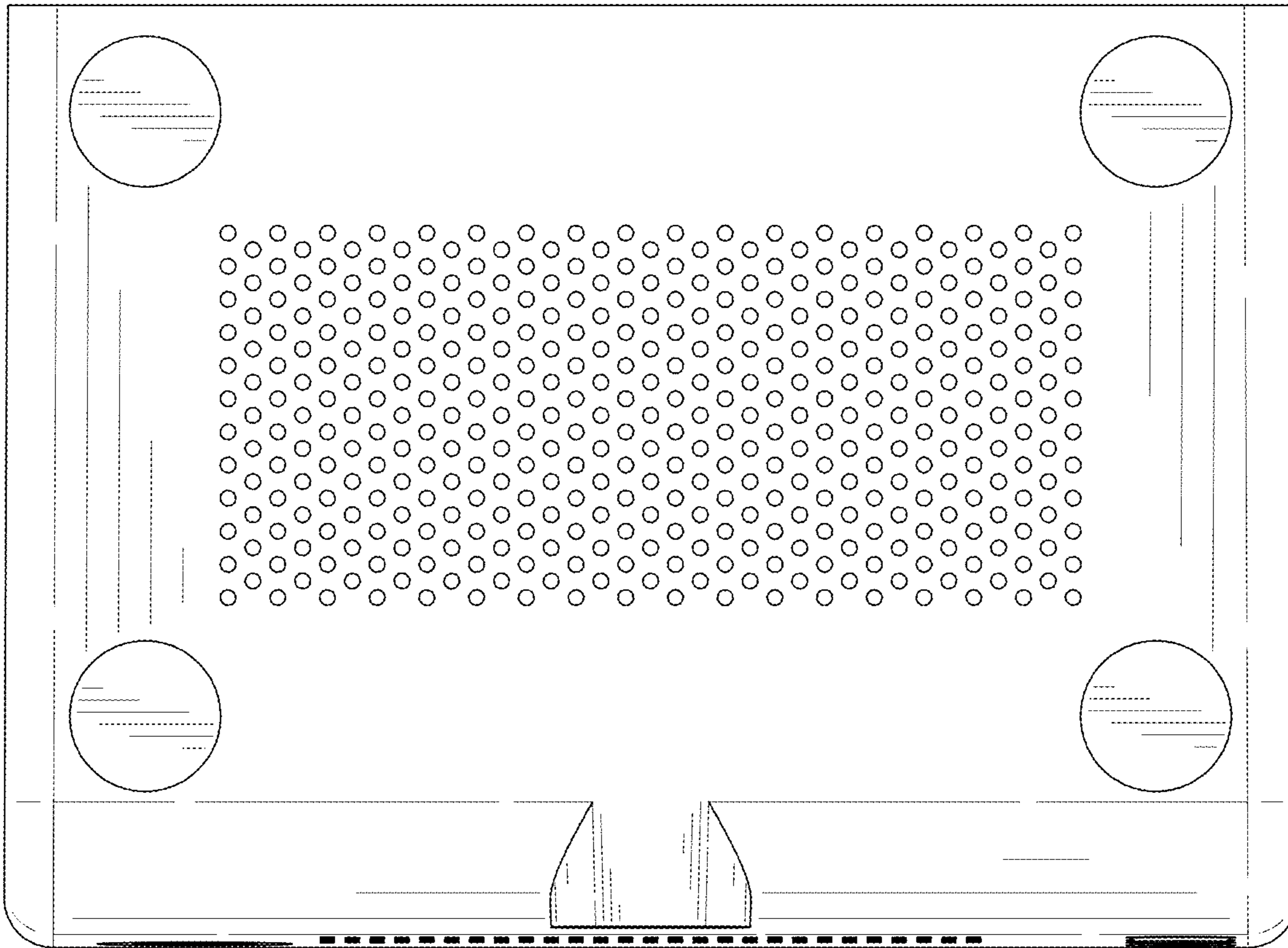


FIG. 8

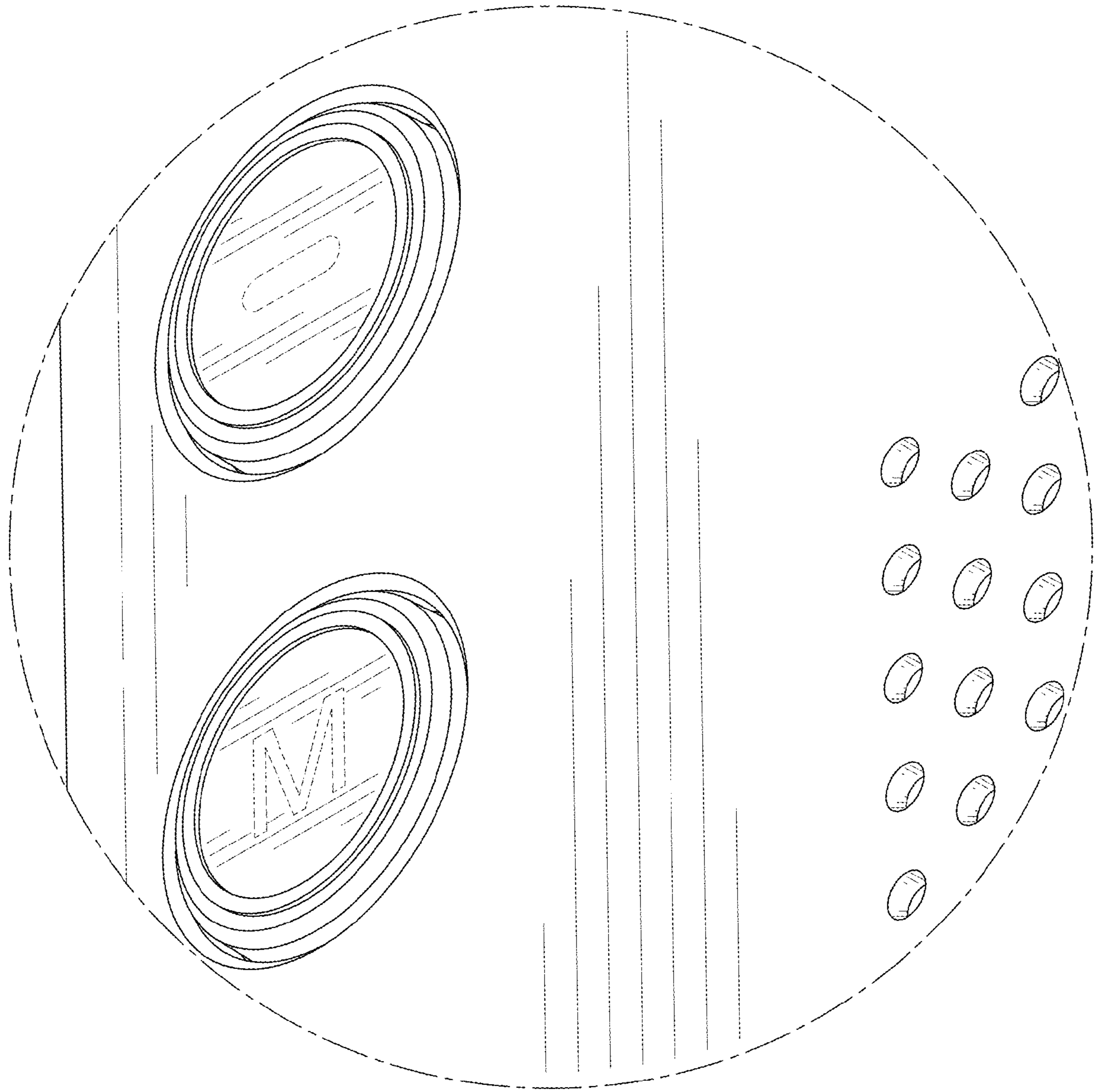


FIG. 9