

US00D964929S

(12) **United States Design Patent**
Maeda et al.

(10) **Patent No.:** **US D964,929 S**
(45) **Date of Patent:** **** Sep. 27, 2022**

(54) **MICROPHONE CHARGER**

(71) Applicant: **Audio-Technica Corporation**, Tokyo (JP)

(72) Inventors: **Kenji Maeda**, Tokyo (JP); **Sean Bryson**, Tokyo (JP)

(73) Assignee: **Audio-Technica Corporation**, Tokyo (JP)

(**) Term: **15 Years**

(21) Appl. No.: **29/754,626**

(22) Filed: **Oct. 13, 2020**

(30) **Foreign Application Priority Data**

Apr. 16, 2020 (JP) 2020-007862

(51) **LOC (13) Cl.** **13-02**

(52) **U.S. Cl.**
USPC **D13/108**; D14/229

(58) **Field of Classification Search**
USPC D13/103, 107, 108, 118, 119; D14/217,
D14/225, 227, 229, 432, 433, 434, 439,
D14/447

CPC H02J 7/00047; H02J 7/0049; H02J 50/05
See application file for complete search history.

(56) **References Cited**

U.S. PATENT DOCUMENTS

D278,703 S *	5/1985	Chiodo	D13/107
D341,593 S *	11/1993	Chang	D14/229
D359,474 S *	6/1995	Palatov	D13/108
D476,659 S *	7/2003	Ying	D14/434
D490,053 S *	5/2004	Shum	D13/107
D579,408 S *	10/2008	Benyameen	D13/107
D638,790 S *	5/2011	Daniel	D13/108
D723,458 S *	3/2015	Martinez	D13/108
D908,616 S *	1/2021	Bonilla	D13/108
D929,323 S *	8/2021	Oba	D13/108

2007/0244471 A1*	10/2007	Malackowski	H01M 10/425 606/1
2011/0121783 A1*	5/2011	Boyles	H02J 7/0045 320/113
2013/0328523 A1*	12/2013	Ota	H02J 7/0045 320/107

OTHER PUBLICATIONS

“Anton Bauer Quad Battery Charger”. Found online May 3, 2022 at bhphotovideo.com. Reference dated May 15, 2015. Retrieved from https://www.bhphotovideo.com/c/product/1113015-REG/anton_bauer_8475_0126_lp4_quad_gold_mount_battery.html/reviews. (Year: 2015).*

“Shure Microflex Wireless System”. Found online May 3, 2022 at youtube.com. Reference dated Oct. 23, 2019. Retrieved from <https://www.youtube.com/watch?v=Kci59sQ1-Zo>. (Year: 2019).*

“Dolgin Engineering Battery Charger”. Found online Apr. 7, 2021 at bhphotovideo.com. Reference dated Aug. 20, 2008. Retrieved from https://www.bhphotovideo.com/c/product/1255791-REG/dolgin_engineering_tc400_son_u_four_position_charger_with_diagnostics.html/reviews. (Year: 2008).*

* cited by examiner

Primary Examiner — Kendra Leslie Hamilton

Assistant Examiner — Amanda Christensen

(74) *Attorney, Agent, or Firm* — WC&F IP

(57) **CLAIM**

The ornamental design for a microphone charger, as shown and described.

DESCRIPTION

FIG. 1 is a front perspective view of a microphone charger, showing our new design;

FIG. 2 is a rear perspective view thereof;

FIG. 3 is a front view thereof;

FIG. 4 is a rear view thereof;

FIG. 5 is a top plan view thereof;

FIG. 6 is a bottom plan view thereof;

FIG. 7 is a left side view thereof; and,

FIG. 8 is a right side view thereof.

1 Claim, 6 Drawing Sheets

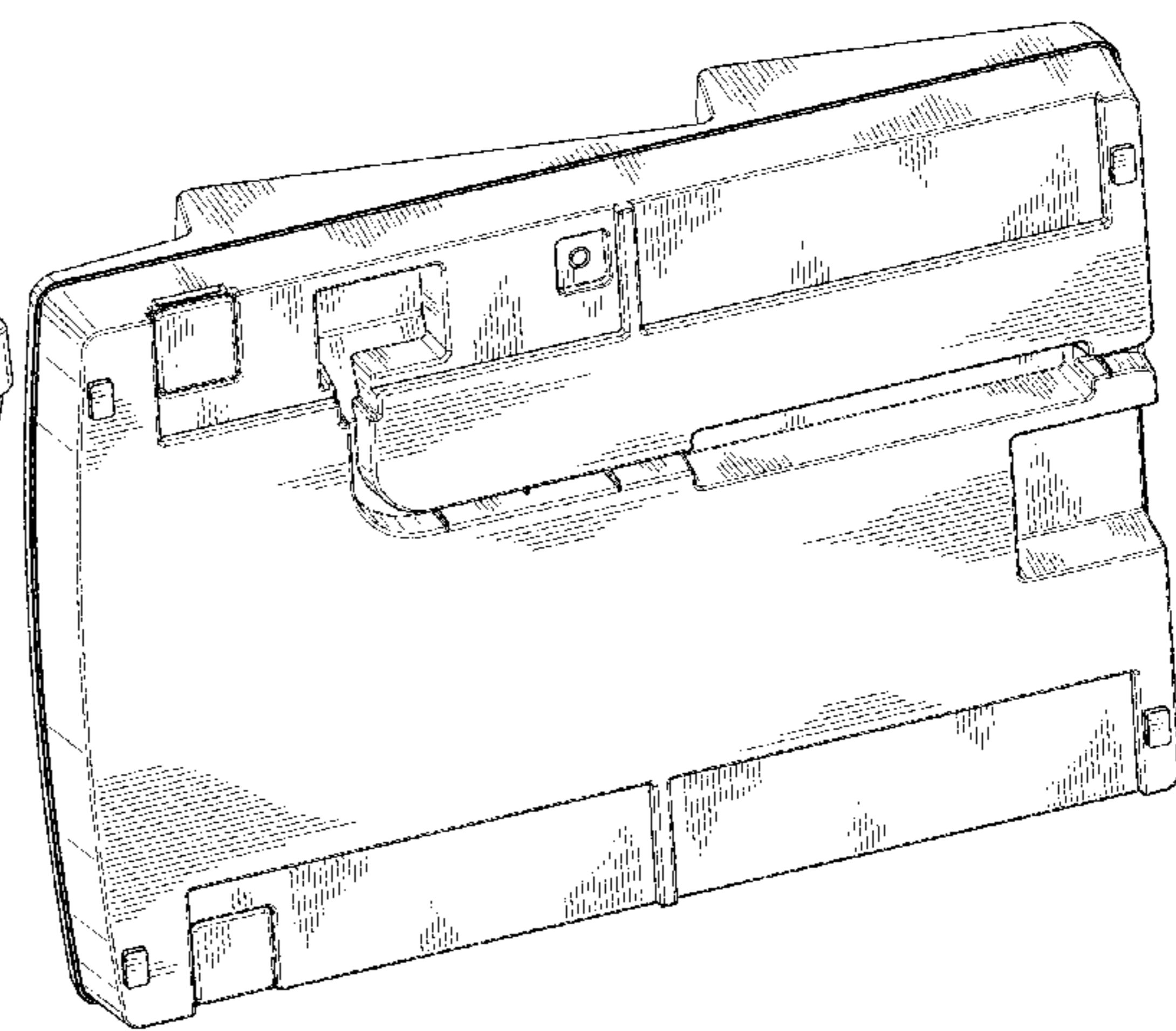
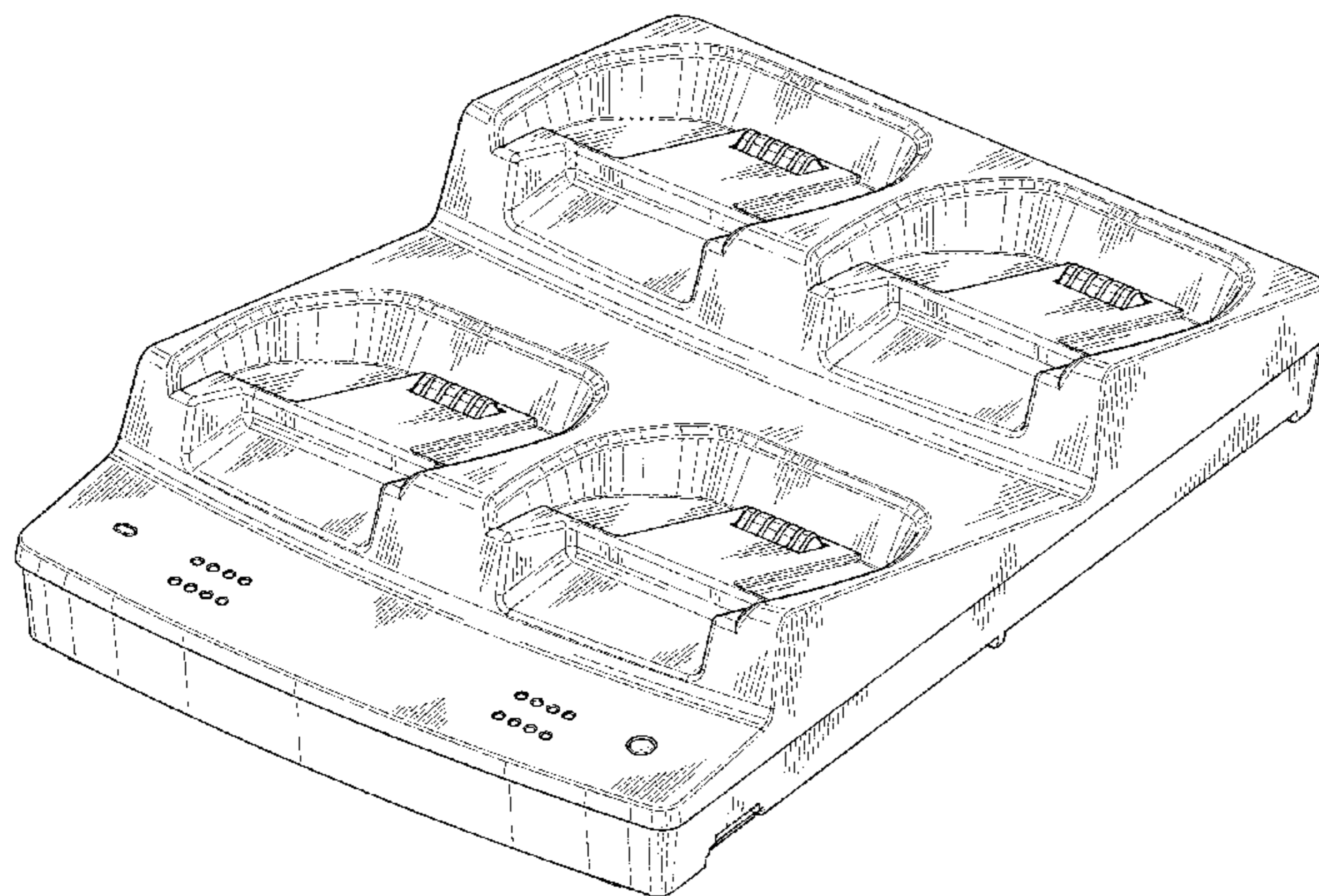


FIG. 1

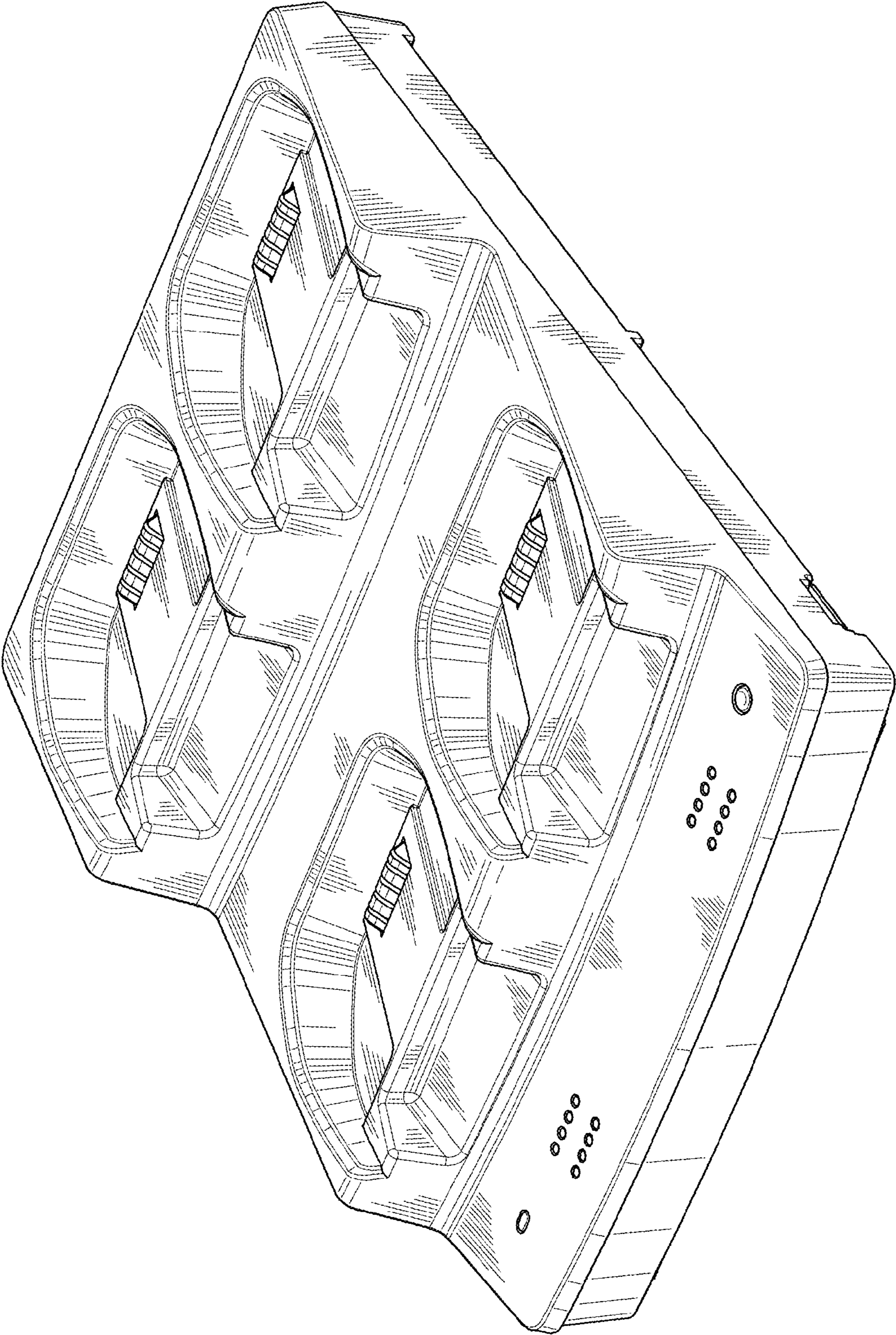


FIG. 2

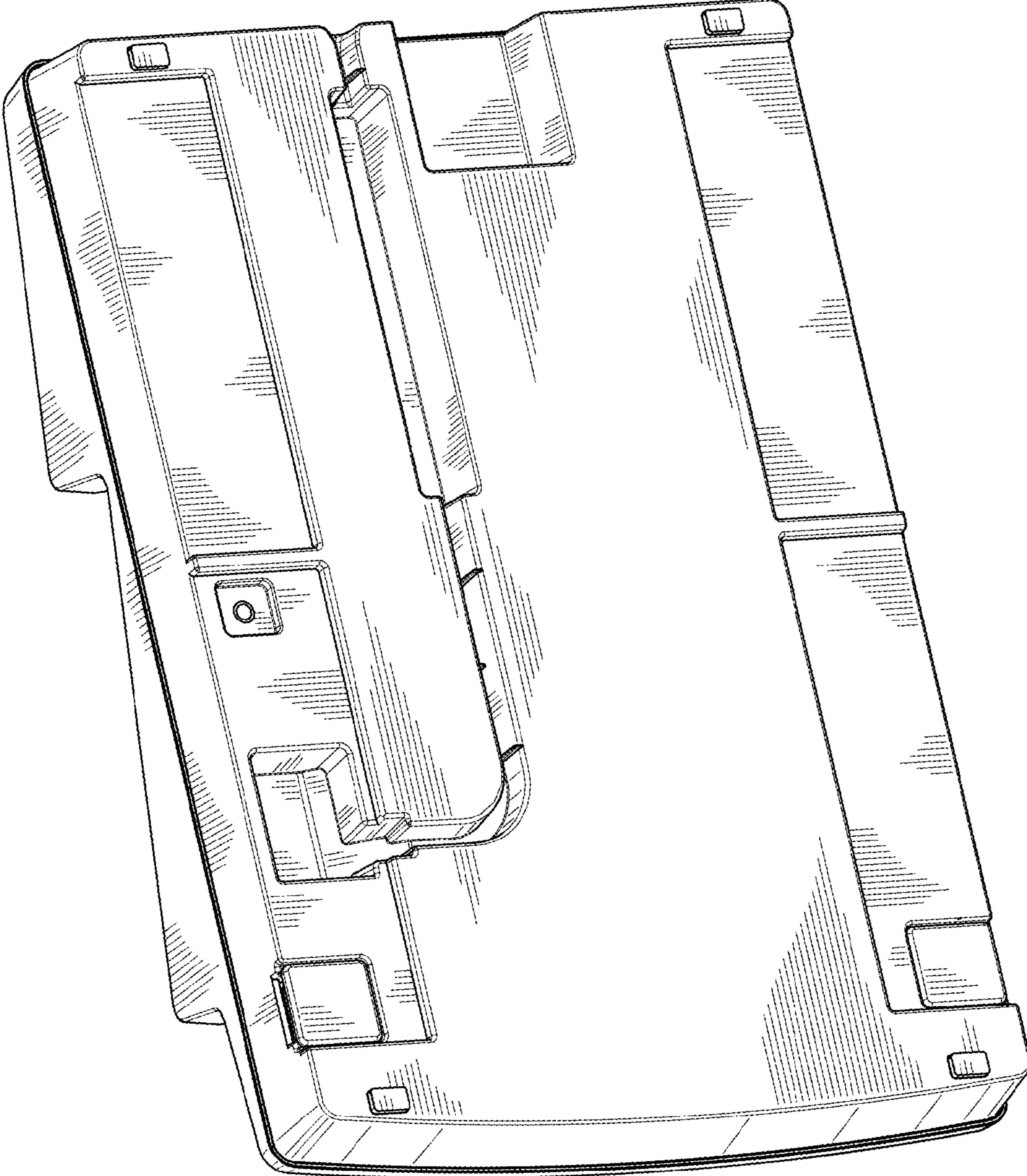


FIG. 3

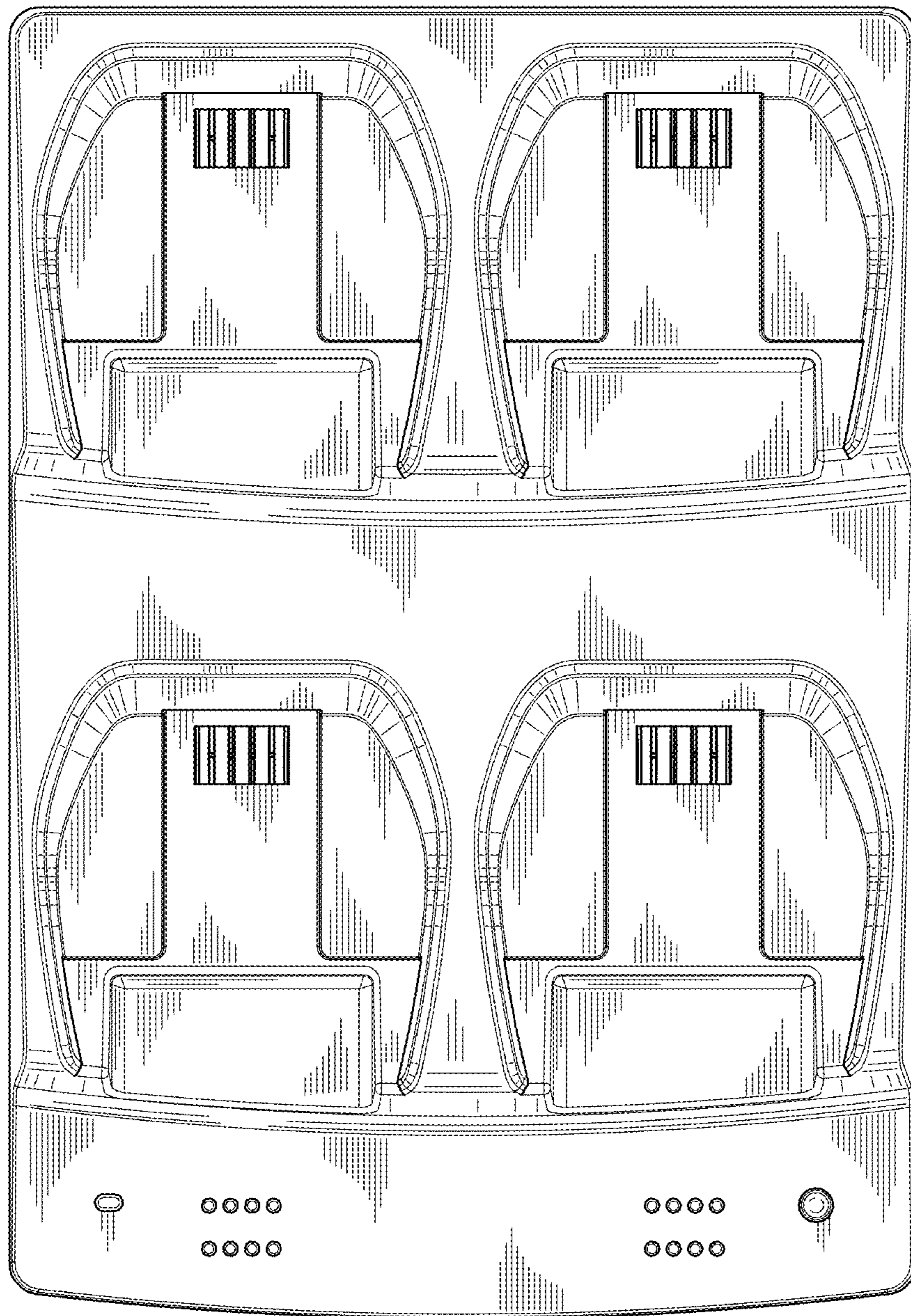


FIG. 4

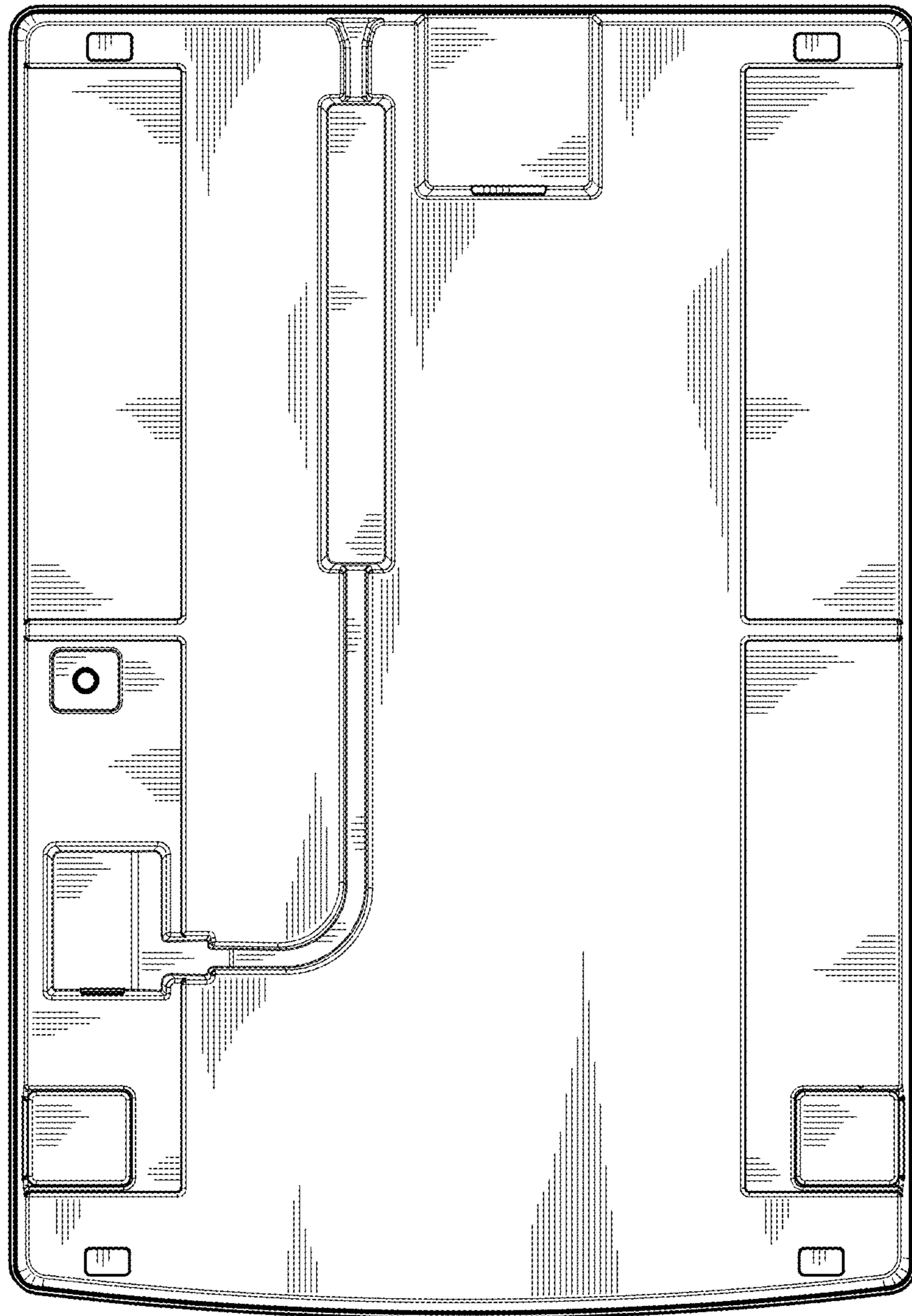


FIG. 5

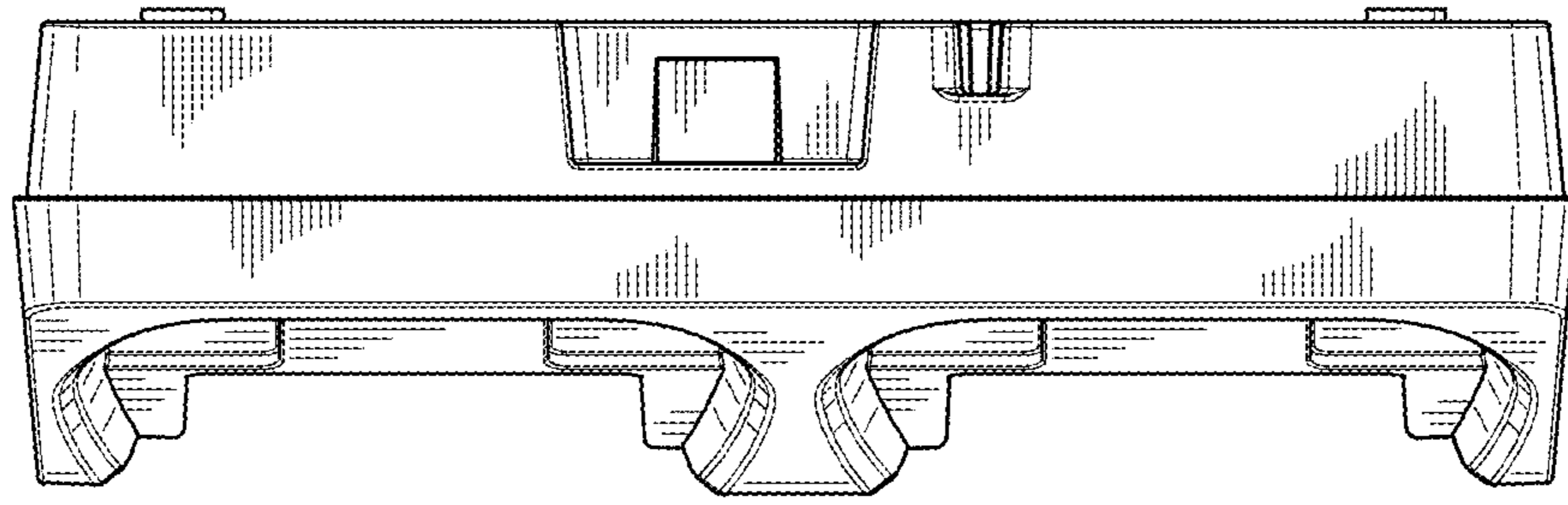


FIG. 6

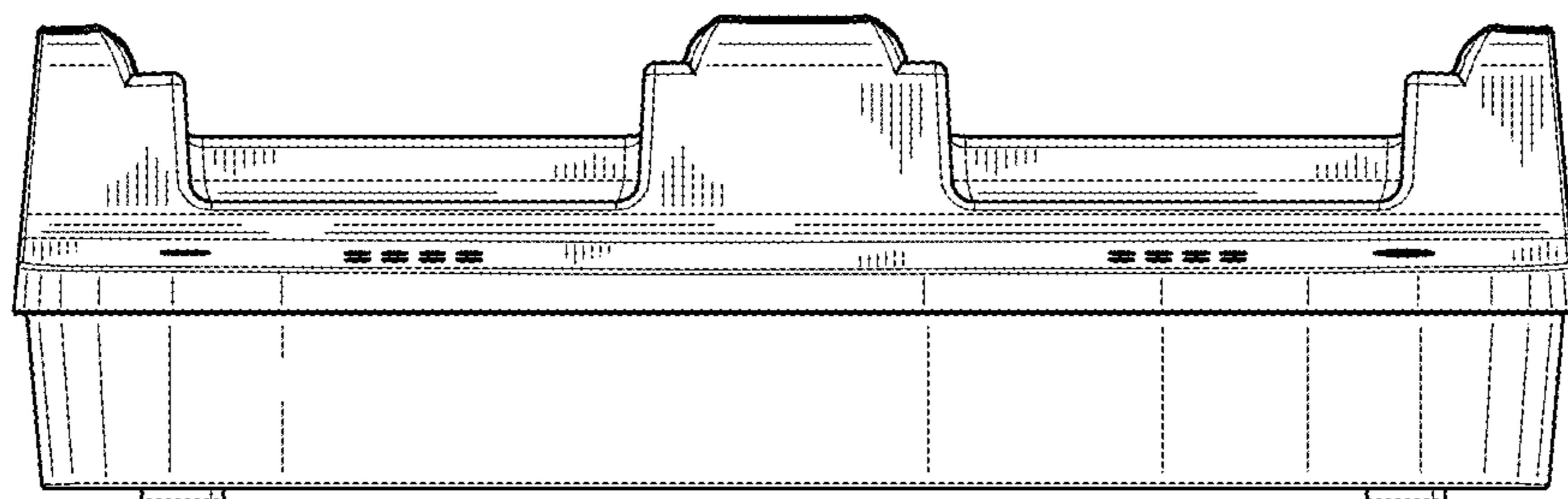


FIG. 7

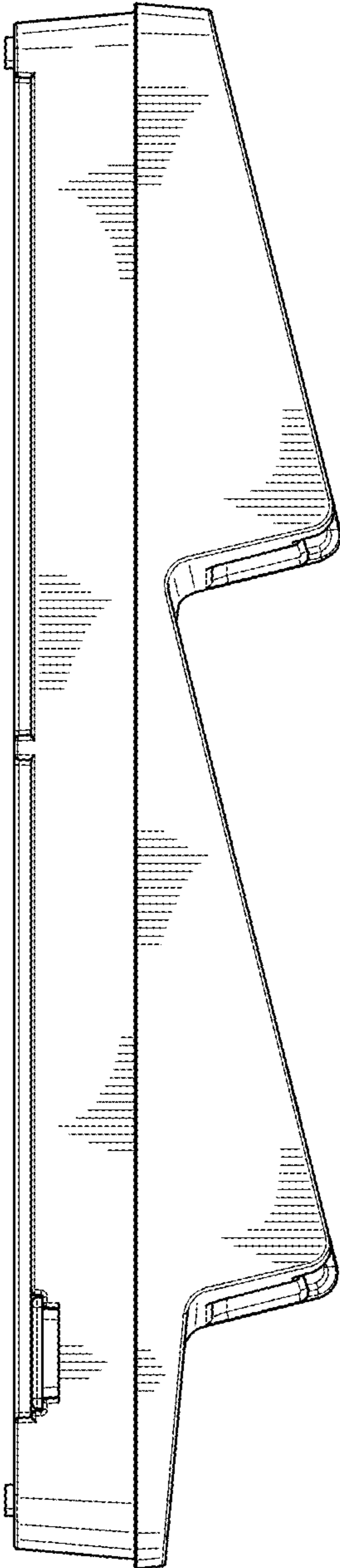


FIG. 8

