



US00D964928S

(12) **United States Design Patent**  
**Shum**

(10) **Patent No.:** **US D964,928 S**

(45) **Date of Patent:** **\*\* Sep. 27, 2022**

(54) **POWER SUPPLY**

(71) Applicant: **VECTOR PRODUCTS, INC.**, Boca Raton, FL (US)

(72) Inventor: **Ling To Shum**, Boca Raton, FL (US)

(73) Assignee: **VECTOR PRODUCTS, INC.**, Boca Raton, FL (US)

(\*\*) Term: **15 Years**

(21) Appl. No.: **29/753,634**

(22) Filed: **Oct. 1, 2020**

(51) **LOC (13) Cl.** ..... **13-02**

(52) **U.S. Cl.**  
USPC ..... **D13/108**

(58) **Field of Classification Search**

USPC ..... D13/103, 107, 108, 110, 118, 119;  
D14/432, 433, 434, 439

CPC ..... H02J 7/342; H02J 7/0044; H02J 7/0045  
See application file for complete search history.

(56) **References Cited**

**U.S. PATENT DOCUMENTS**

8,465,306 B2 *	6/2013	Ami	.....	H02J 7/0045 439/140
D697,865 S *	1/2014	Saito	.....	D13/103
D743,886 S *	11/2015	Nomi	.....	D13/108
D760,647 S *	7/2016	Chen	.....	D13/103
D784,258 S *	4/2017	Vienna	.....	D13/108
D797,663 S *	9/2017	Miller	.....	D13/107
D816,606 S *	5/2018	Georgiades	.....	D13/108
D831,598 S *	10/2018	Jiang	.....	D14/125
D902,852 S *	11/2020	Lin	.....	D13/108
D922,317 S *	6/2021	Starkey	.....	D13/108
2015/0263553 A1 *	9/2015	Fuller	.....	F16B 2/22 320/114
2018/0301919 A1 *	10/2018	Rumbaugh	.....	H01M 10/44
2021/0175757 A1 *	6/2021	Bilfeld	.....	H02J 50/10

**OTHER PUBLICATIONS**

“Omni Laptop Power Bank”. Found online Nov. 10, 2021 at amazon.com. Reference dated Jun. 6, 2017. Retrieved from https://www.amazon.com/Omnicharge-AC-Portable-Power-Bank/dp/B072JWN6LC/ref=as\_li\_ss\_tl. (Year: 2017).\*

(Continued)

*Primary Examiner* — Kendra Leslie Hamilton

*Assistant Examiner* — Amanda Christensen

(74) *Attorney, Agent, or Firm* — Daniel S. Polley, P.A.

(57) **CLAIM**

The ornamental design for a power supply, as shown and described.

**DESCRIPTION**

FIG. 1 is a top, front, left side perspective view of a power supply and showing an electrical outlet cover in a down/closed position, showing my new design in a first configuration;

FIG. 2 is a bottom, back, right side perspective view of the power supply, shown in a second configuration;

FIG. 3 is a top view of the power supply and showing the electrical outlet cover in an up/opened position;

FIG. 4 is a bottom view of the power supply, shown in a first configuration;

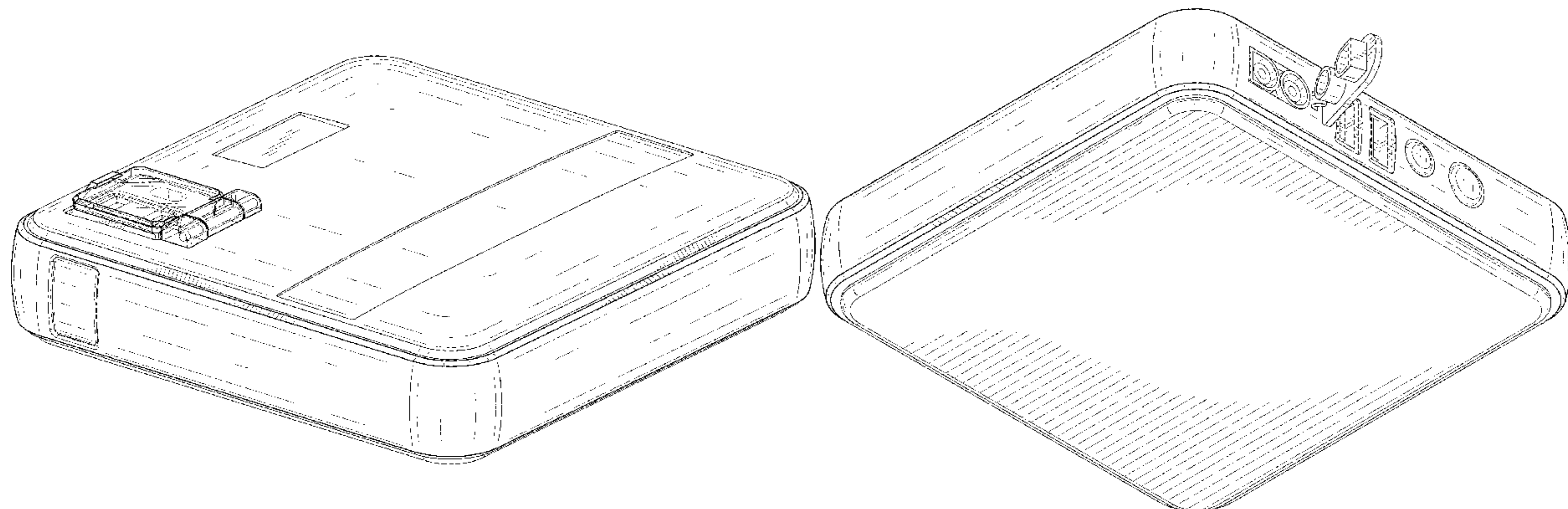
FIG. 5 is a left side view of the power supply and showing the electrical outlet cover in an up/opened position, shown in a third configuration;

FIG. 6 is a right side view of the power supply and showing the electrical outlet cover in a down/closed position, shown in a first configuration;

FIG. 7 is a front view of the power supply and showing the electrical outlet cover in a down/closed position; and,

FIG. 8 is a back view of the power supply and showing the electrical outlet cover in an up/opened position, shown in a third configuration.

**1 Claim, 6 Drawing Sheets**



(56)

**References Cited**

OTHER PUBLICATIONS

“OYEALEX Power Bank”. Found online Nov. 2, 2021 at amazon.com. Reference dated Oct. 28, 2019. Retrieved from [https://www.amazon.com/dp/B07ZNR52R9/ref=sspa\\_dk\\_detail\\_2?th=1](https://www.amazon.com/dp/B07ZNR52R9/ref=sspa_dk_detail_2?th=1). (Year: 2019).\*

“MOMAX Power Adapter”. Found online Nov. 2, 2021 at amazon.ae. Reference dated May 7, 2020. Retrieved from <https://www.amazon.ae/MOMAX-Adapter-Q-Power-Wireless-Certified/dp/B088PVC5QM?th=1>. (Year: 2020).\*

\* cited by examiner

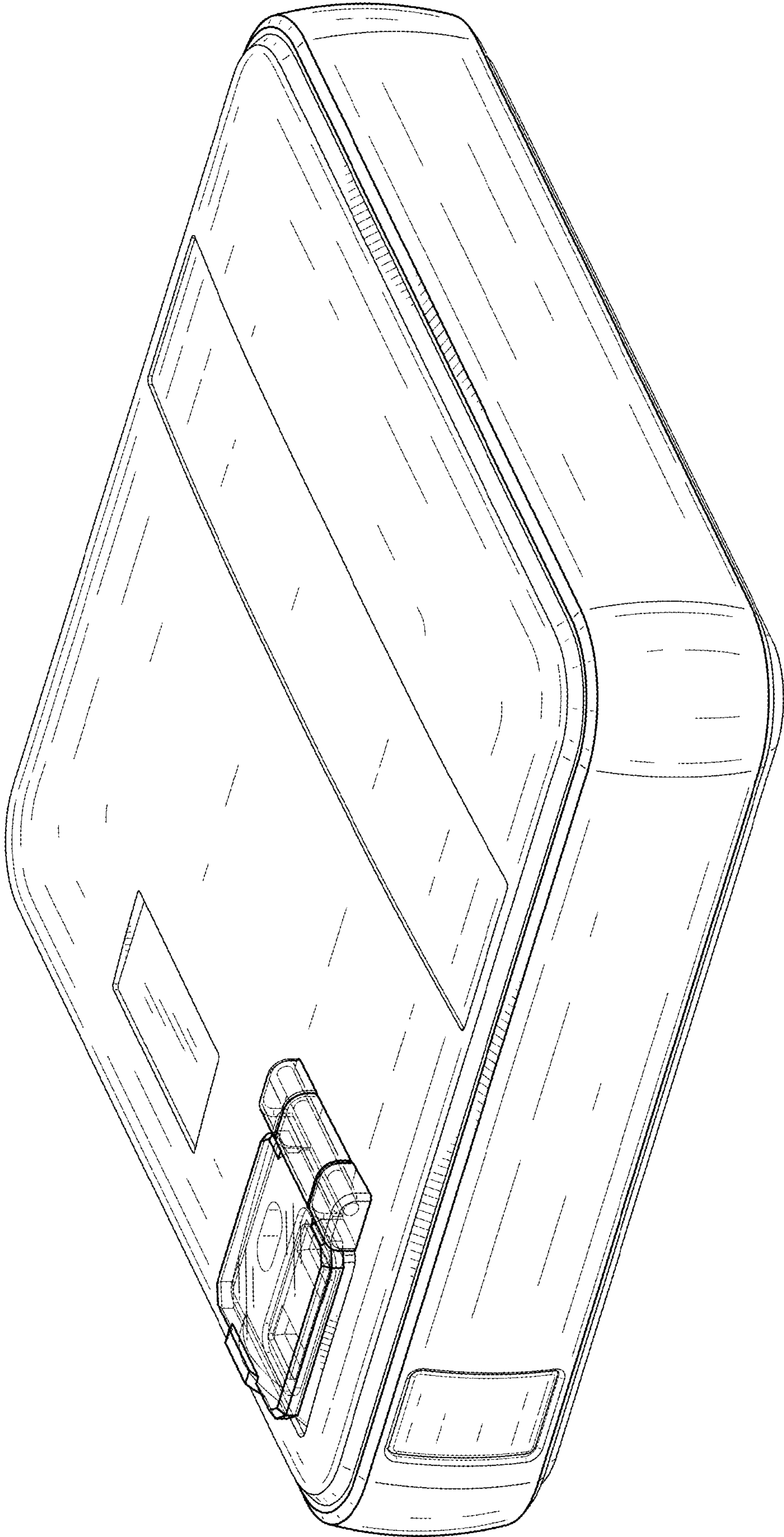


FIG. 1

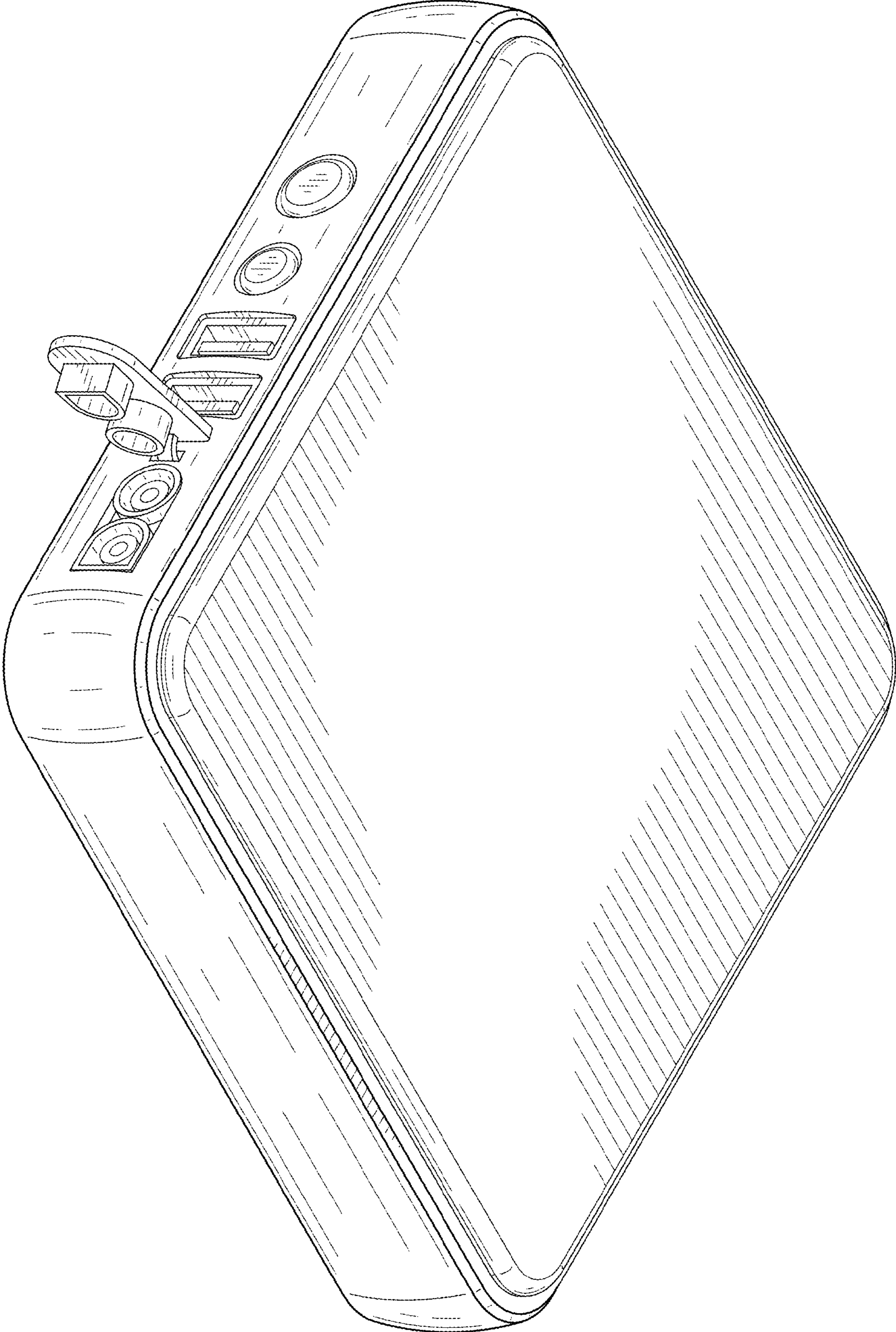


FIG. 2

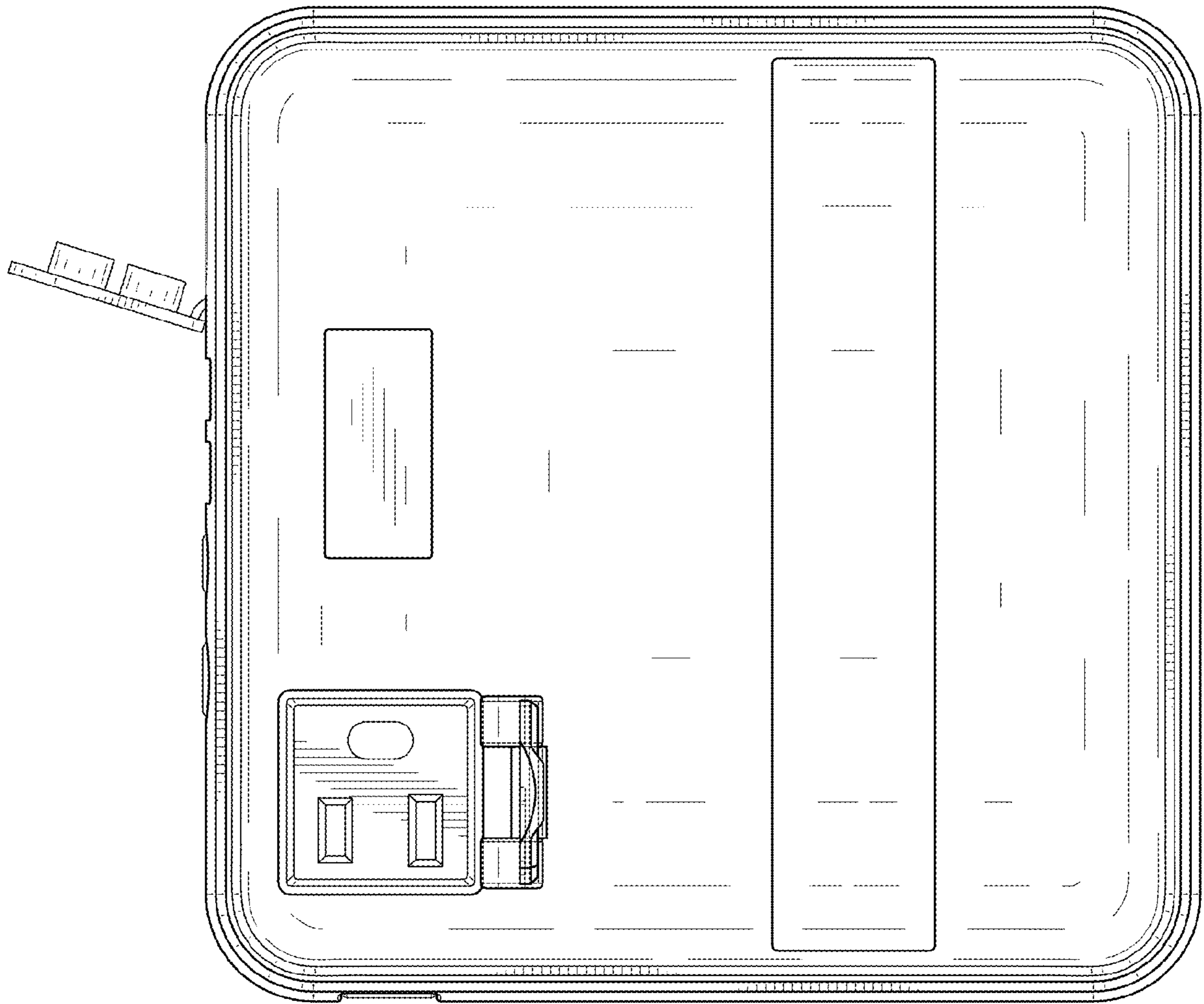


FIG. 3

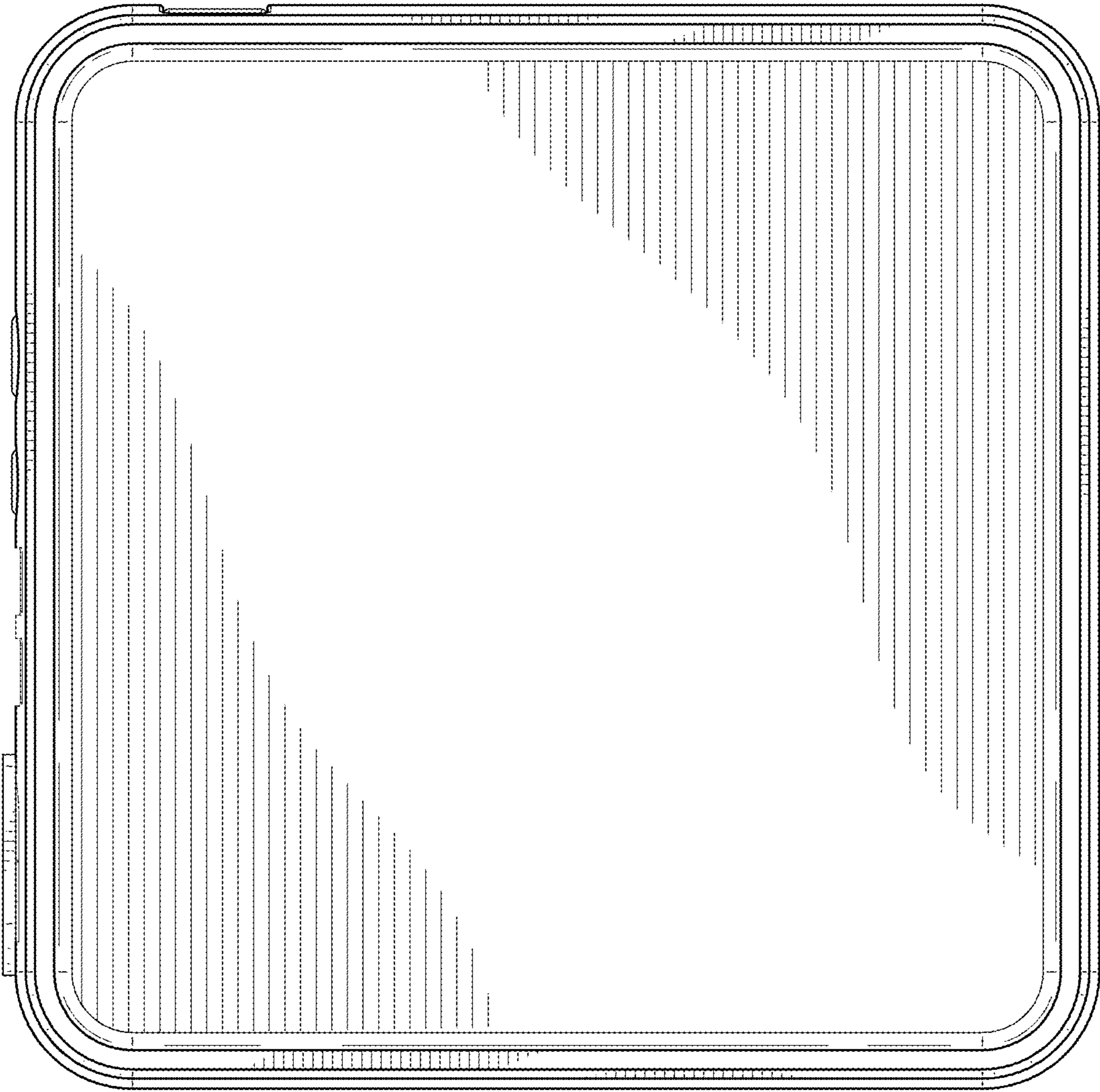


FIG. 4

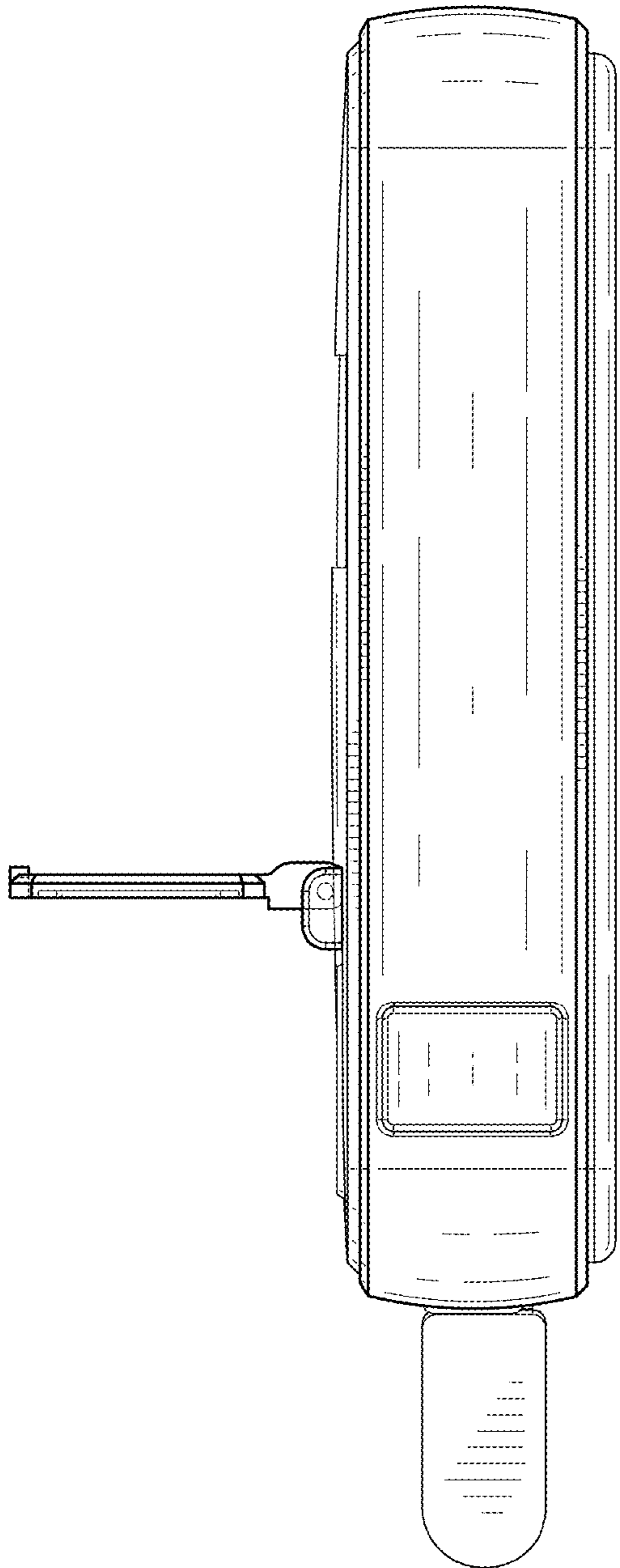


FIG. 5

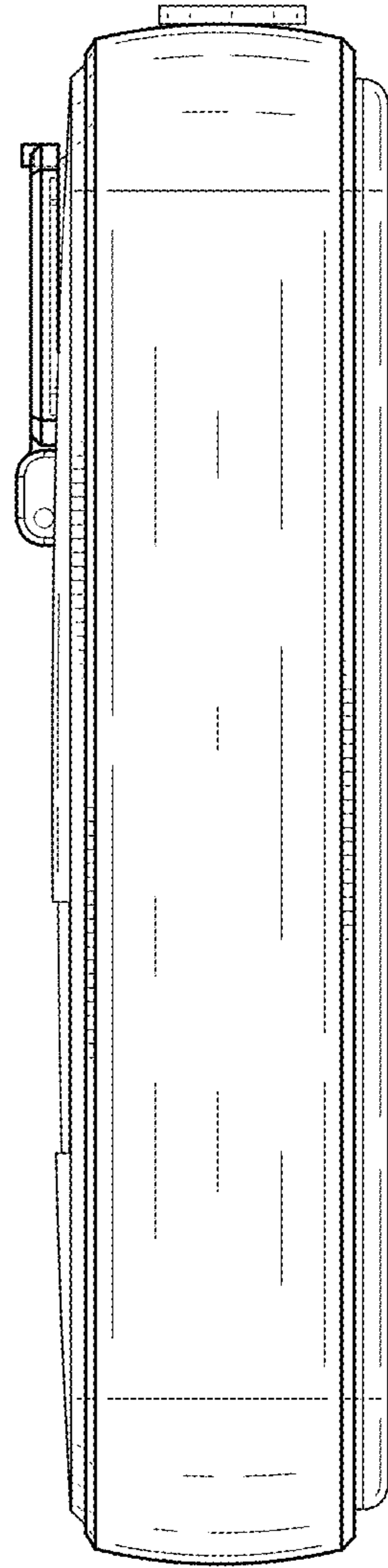


FIG. 6

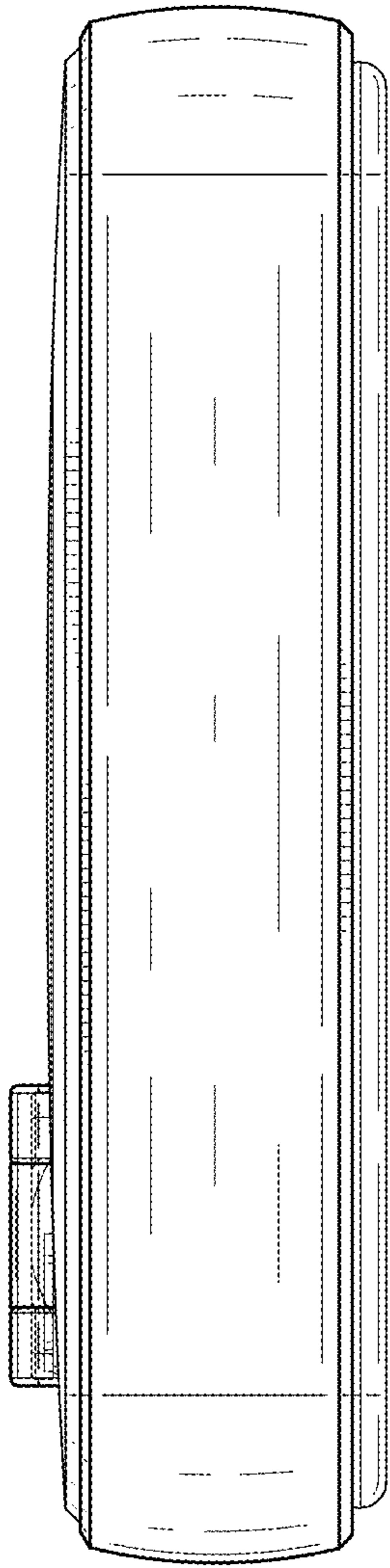


FIG. 7

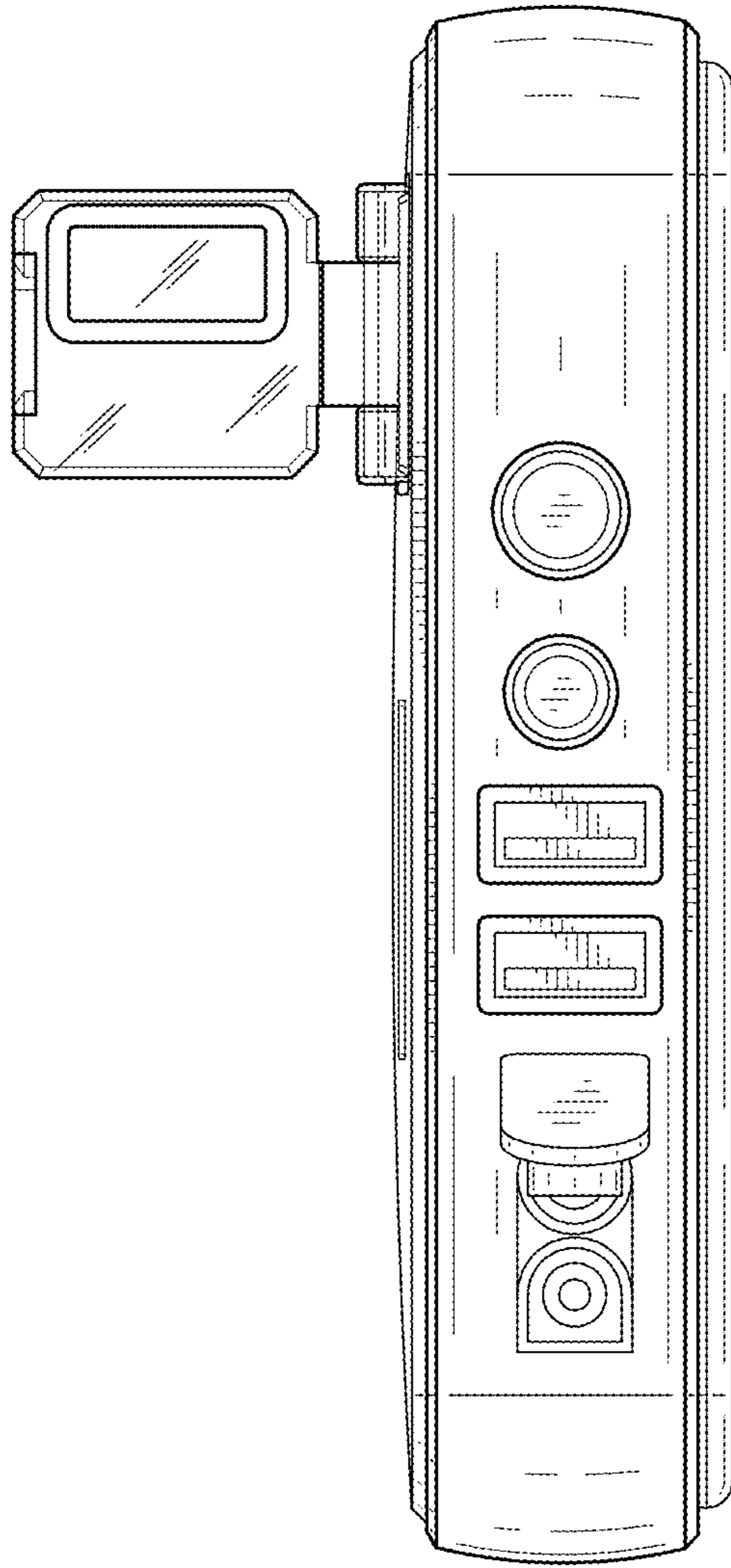


FIG. 8