

US00D964927S

(12) **United States Design Patent**
Deng

(10) **Patent No.:** **US D964,927 S**

(45) **Date of Patent:** **** Sep. 27, 2022**

(54) **CHARGING BOX FOR HEADSET**

(71) Applicant: **Xueqing Deng**, Shenzhen (CN)

(72) Inventor: **Xueqing Deng**, Shenzhen (CN)

(**) Term: **15 Years**

(21) Appl. No.: **29/753,098**

(22) Filed: **Sep. 30, 2020**

(30) **Foreign Application Priority Data**

May 13, 2020 (CN) 202030216148.5

(51) **LOC (13) Cl.** **13-02**

(52) **U.S. Cl.**
USPC **D13/108; D3/294**

(58) **Field of Classification Search**
USPC D13/103, 107, 108, 118, 119, 184, 199;
D3/201, 273, 294, 295, 302; D14/205,
D14/207, 217, 223
CPC A45C 2011/001; B65D 43/16; H04R
1/1025

See application file for complete search history.

(56) **References Cited**

U.S. PATENT DOCUMENTS

D708,850 S *	7/2014	Morine	D3/294
D742,824 S *	11/2015	Hsu	D13/108
D862,425 S *	10/2019	Yan	D14/223
D891,434 S *	7/2020	Lee	D14/440
D891,773 S *	8/2020	Meyer	D3/294
D897,664 S *	10/2020	Li	D3/273
D921,582 S *	6/2021	Liu	D3/294
D925,494 S *	7/2021	Zhang	D14/223
D932,472 S *	10/2021	Wang	D13/108
D934,839 S *	11/2021	Zhong	D14/223
2020/0110569 A1 *	4/2020	Deng	H04R 5/033

(Continued)

OTHER PUBLICATIONS

“Puro Slim Pod Wireless Earphones with Charging Case”. Found online Jan. 24, 2022 at amazon.co.uk. Reference dated Apr. 8, 2020.

Retrieved from <https://www.amazon.co.uk/Puro-Slim-Wireless-Earphones-Charging/dp/B08129VRD9>. (Year: 2020).*

(Continued)

Primary Examiner — Kendra Leslie Hamilton

Assistant Examiner — Amanda Christensen

(74) *Attorney, Agent, or Firm* — Andrew C. Cheng

(57) **CLAIM**

I claim the ornamental design for a charging box for headset, as shown and described.

DESCRIPTION

FIG. 1 is a top, front, left side perspective view of a charging box for headset, showing my new design closed in a first configuration;

FIG. 2 is a bottom, rear, right side perspective view thereof;

FIG. 3 is a front view thereof;

FIG. 4 is a rear view thereof;

FIG. 5 is a left side view thereof;

FIG. 6 is a right side view thereof;

FIG. 7 is a top view thereof;

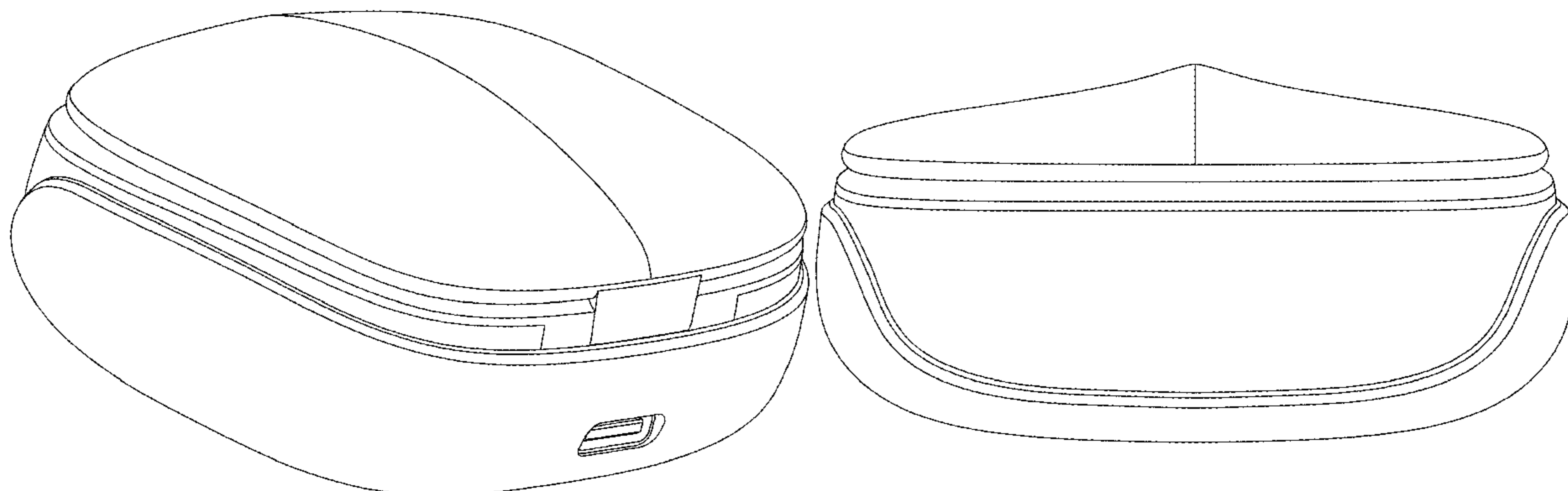
FIG. 8 is a bottom view thereof;

FIG. 9 is a top rear, right side perspective view of the charging box for headset, shown open in a second configuration; and,

FIG. 10 is a top, rear, right side perspective view of the charging box for headset, shown open in the second configuration and in a condition of use.

The broken lines in the drawings depict portions of the charging box for headset that form no part of the claimed design. In FIG. 10, the broken lines depicting earphones are showing of the environment and form no part of the claimed design.

1 Claim, 10 Drawing Sheets



(56)

References Cited

U.S. PATENT DOCUMENTS

2021/0281942 A1* 9/2021 Feng H02J 7/0045
2021/0377646 A1* 12/2021 Luo H04R 1/1058

OTHER PUBLICATIONS

“OontZ True Wireless BudZ”. Found online Jul. 16, 2021 at amazon.com. Reference dated Oct. 29, 2019. Retrieved from https://www.amazon.com/dp/B07XZN7NNJ/ref=sspa_dk_detail_1 (Year: 2019).*

“ENACFIRE Wireless Bluetooth Headphones”. Found online Dec. 4, 2020 at amazon.co.uk. Reference dated Dec. 18, 2018. Retrieved from https://www.amazon.co.uk/gp/product/B07DPJVN6P/ref=as_li_ss_tl. (Year: 2018).*

* cited by examiner

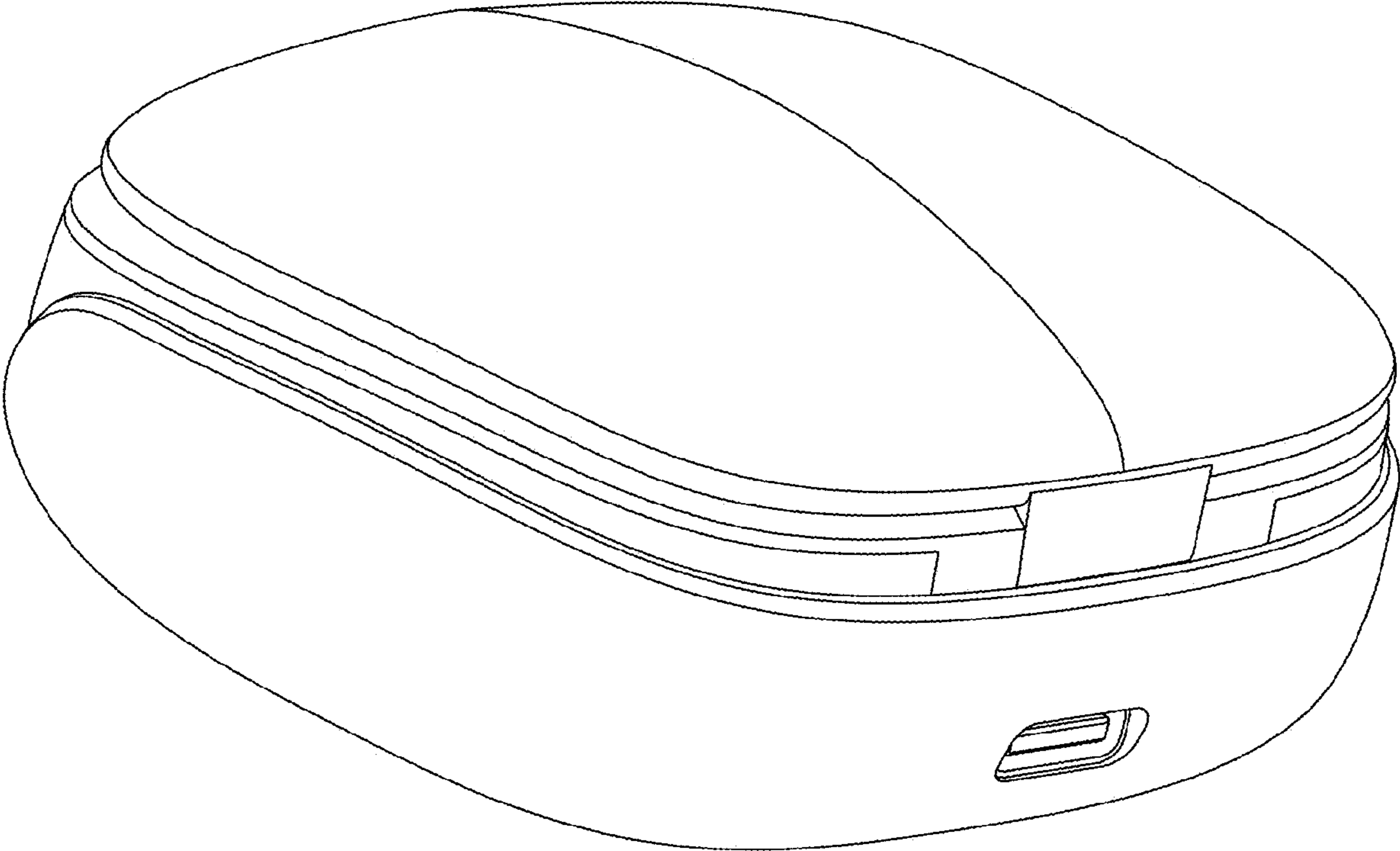


FIG.1

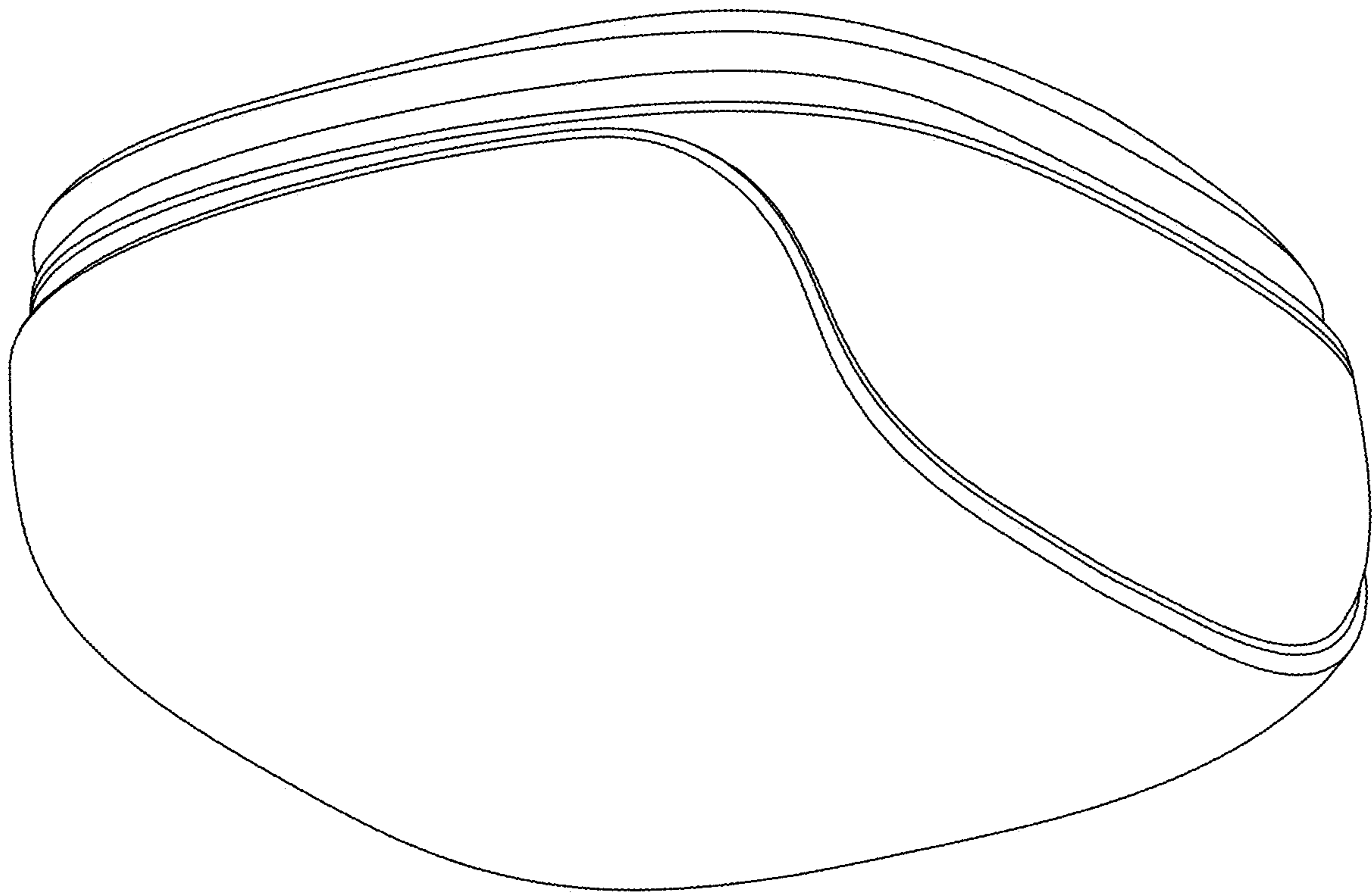


FIG. 2

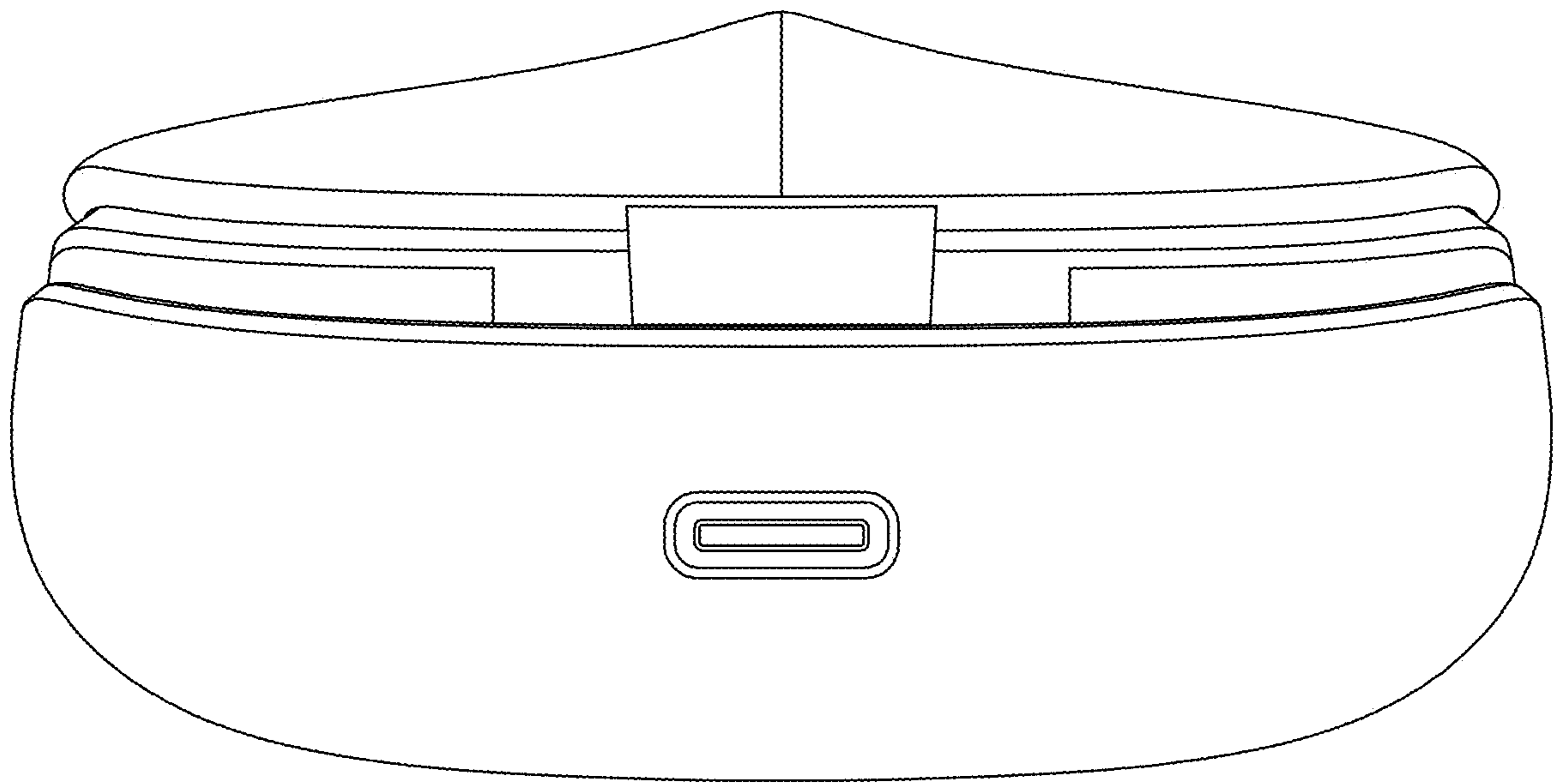


FIG.3

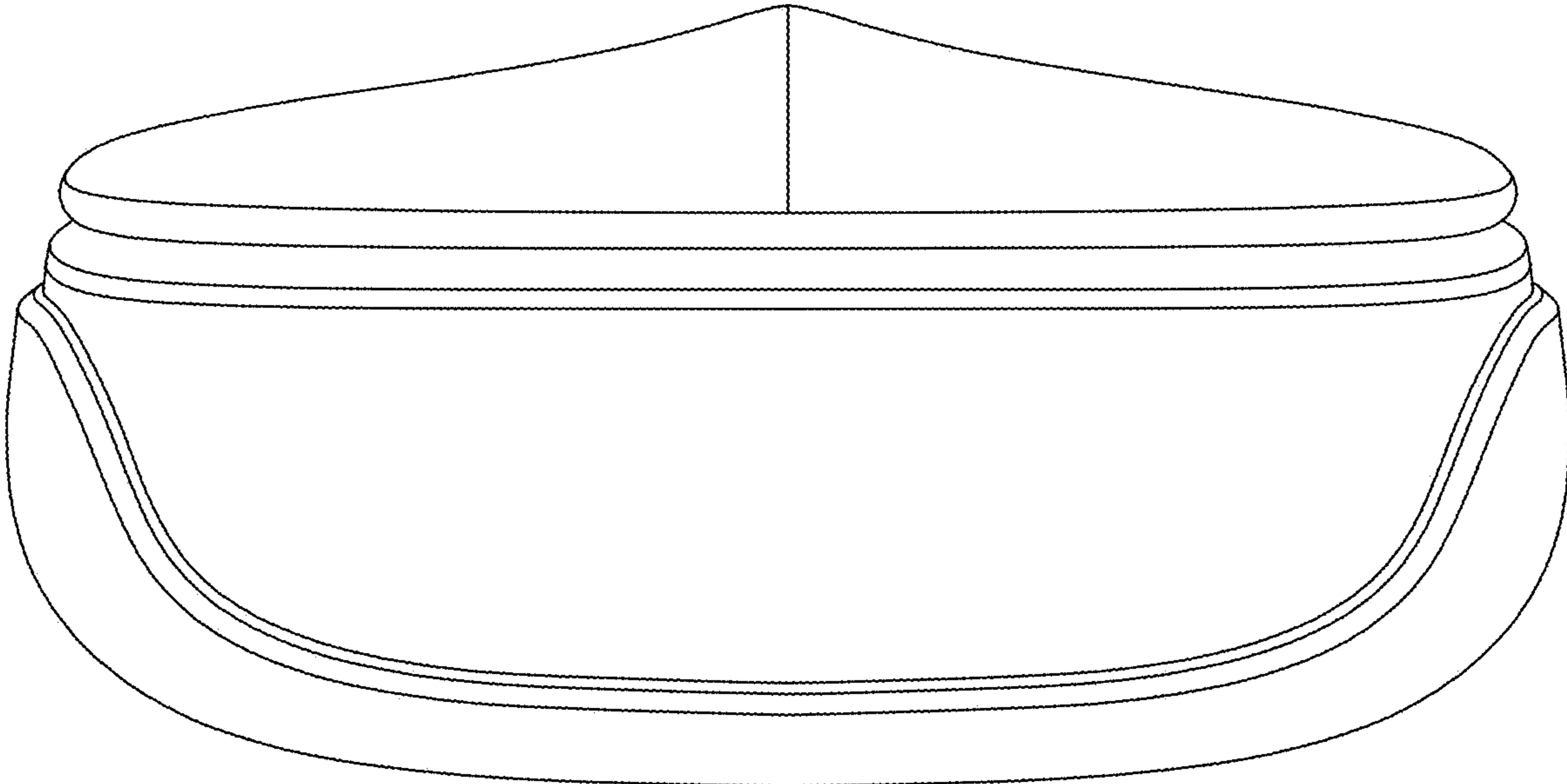


FIG.4

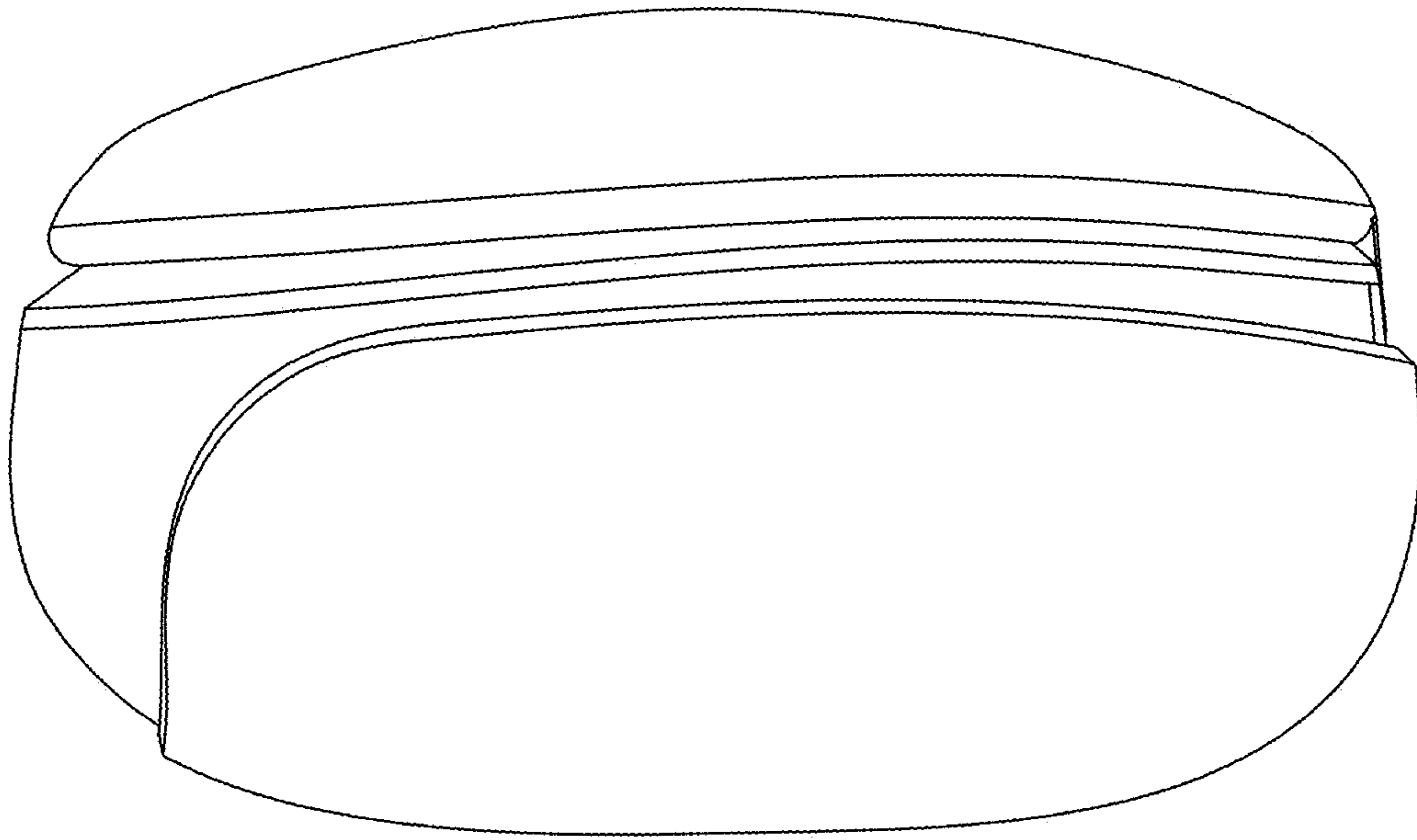


FIG.5

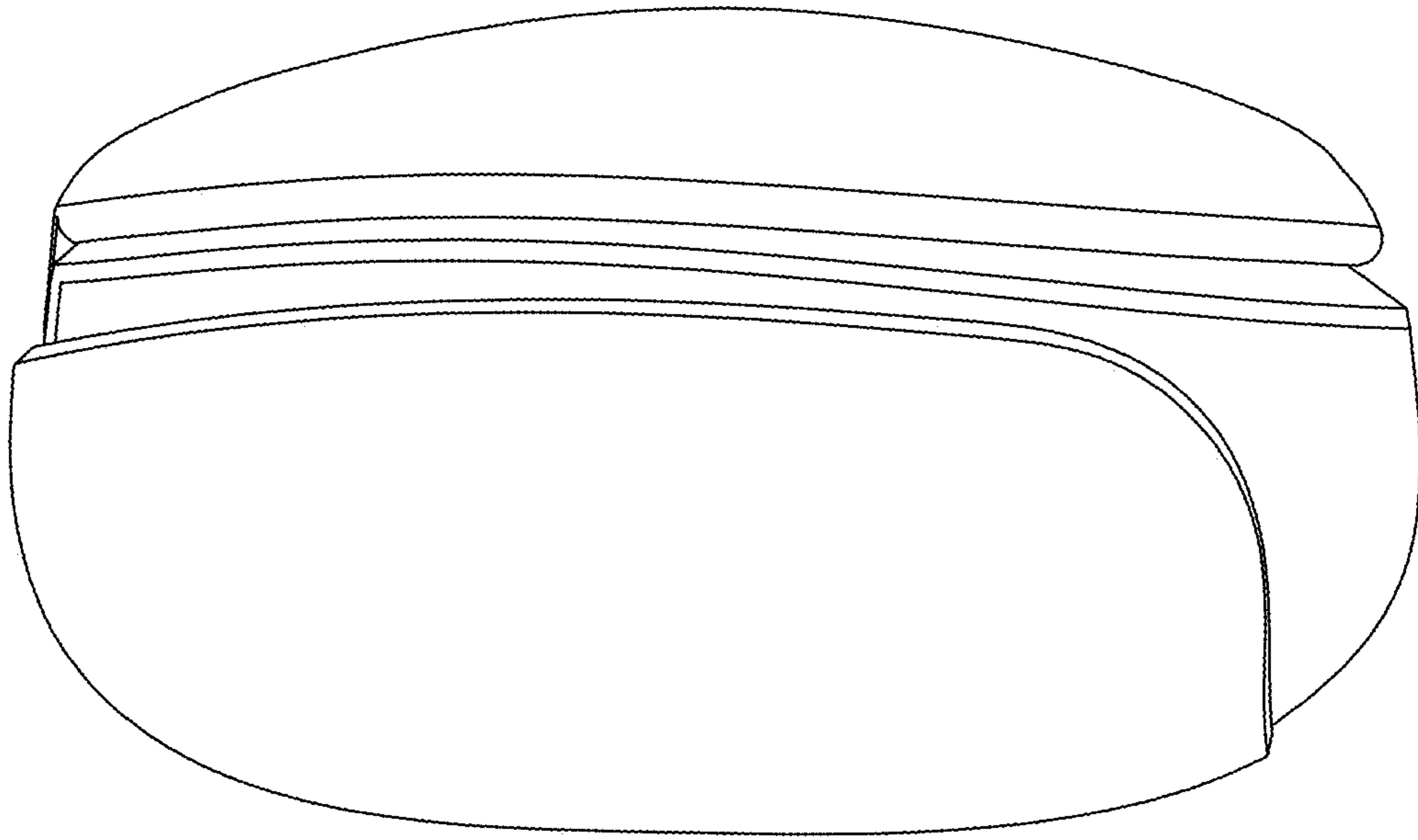


FIG.6

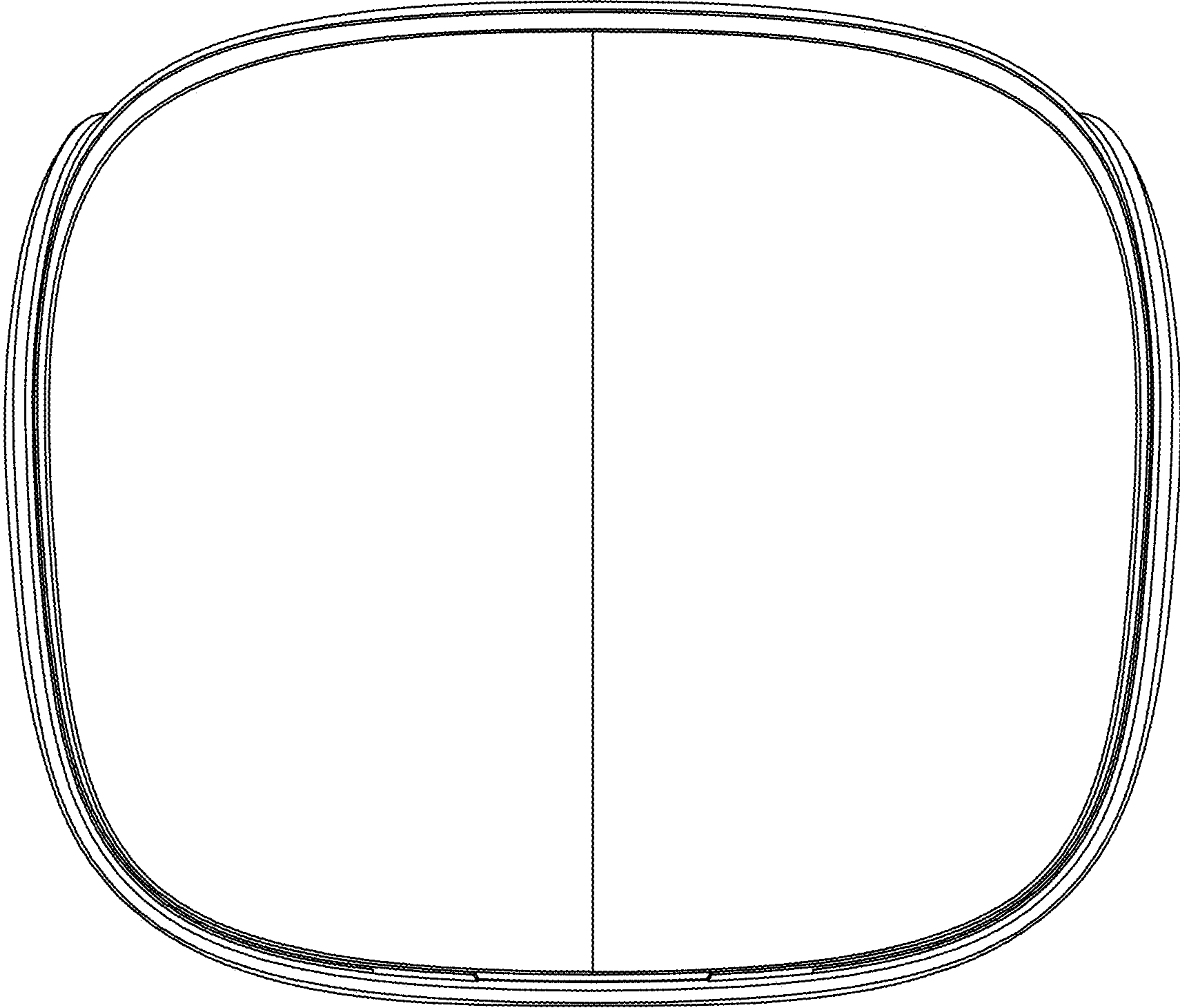


FIG.7

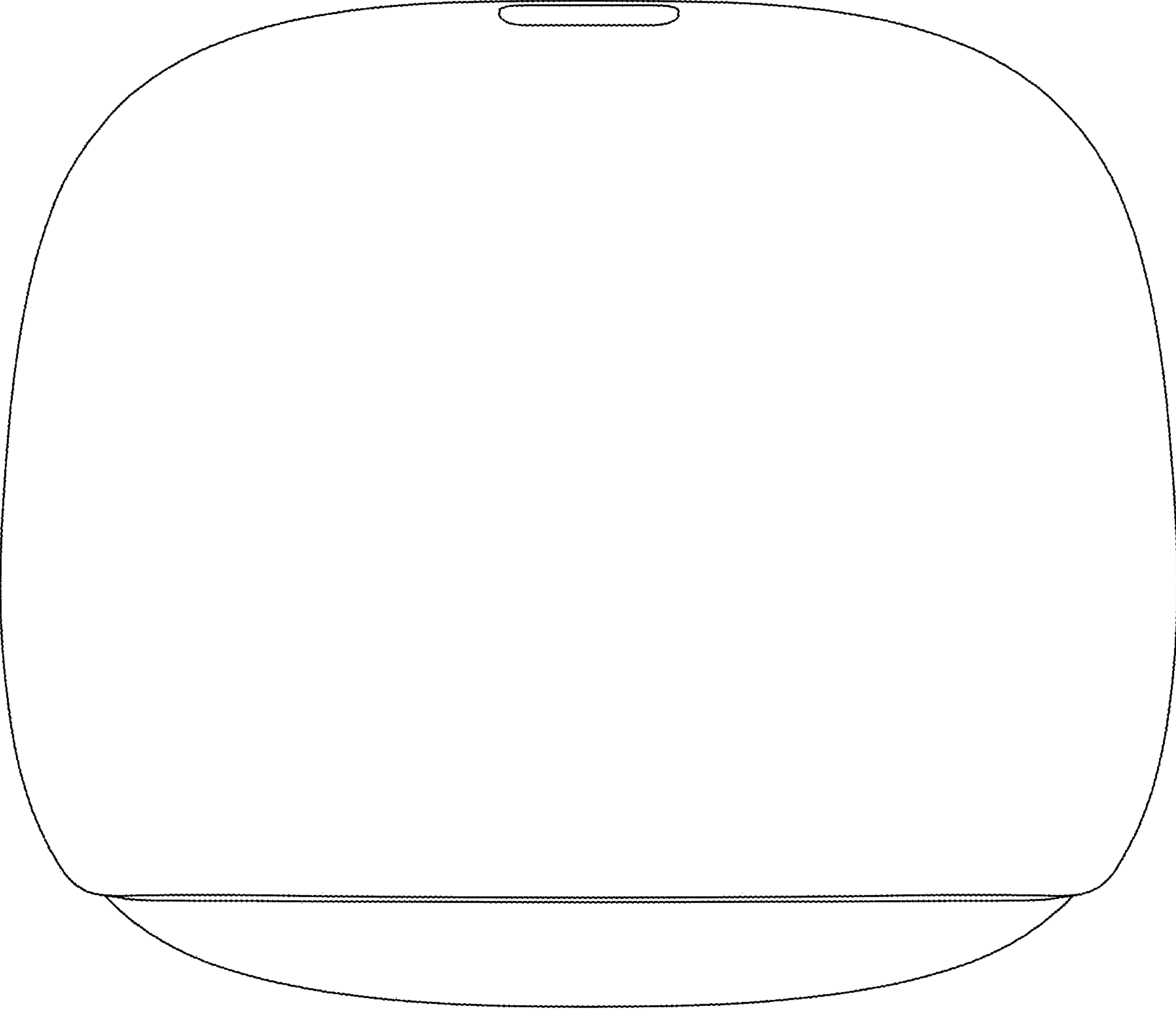


FIG.8

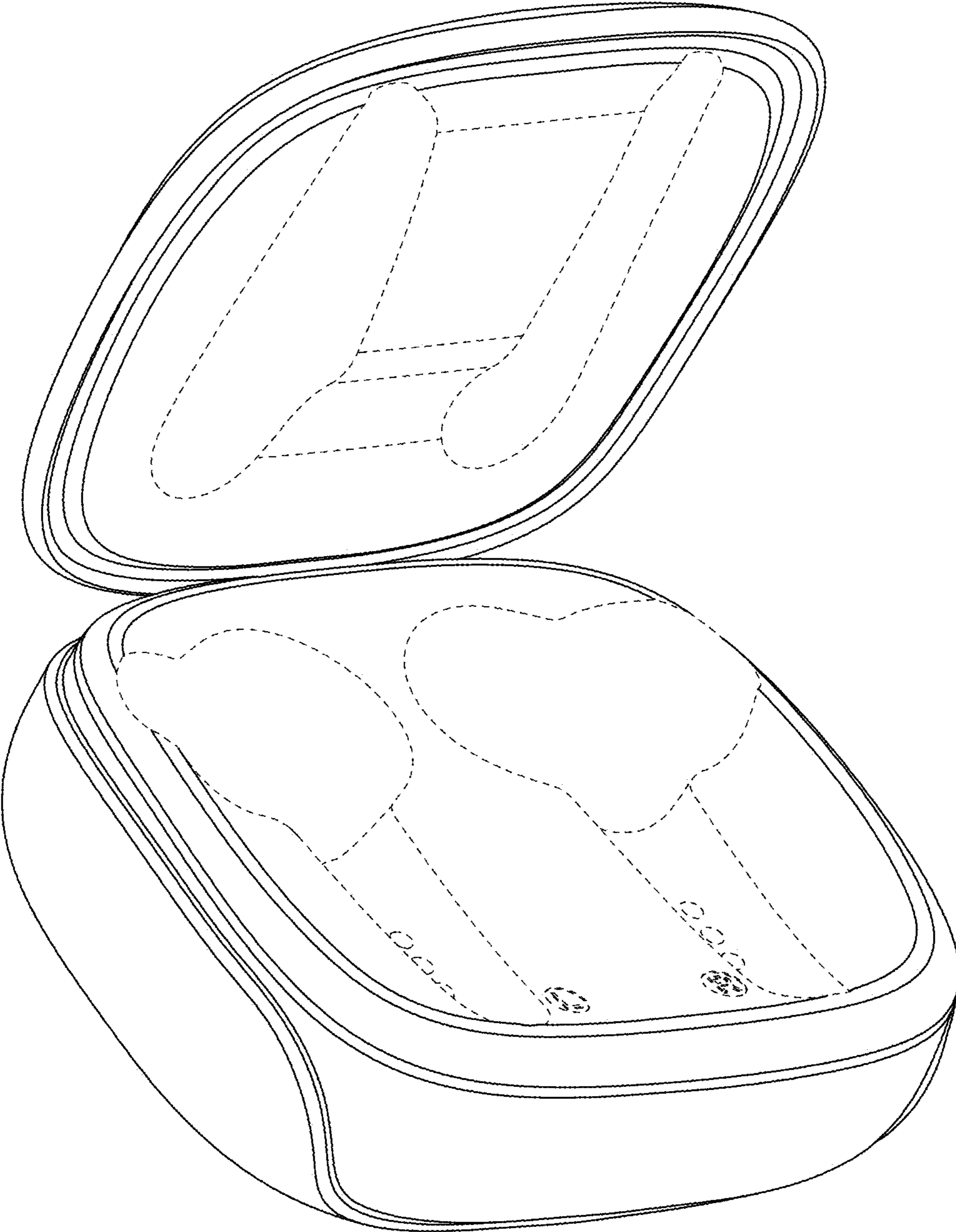


FIG.9

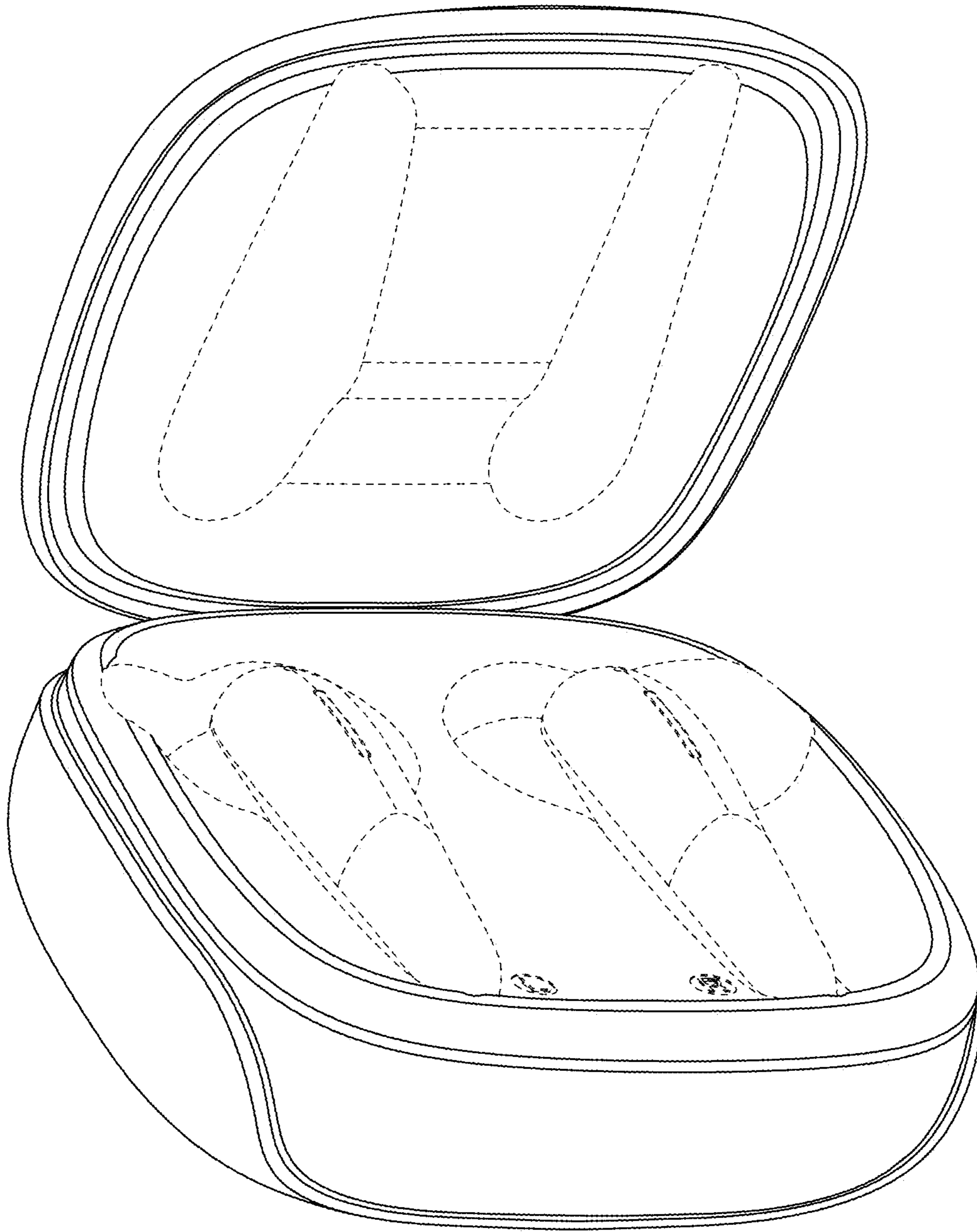


FIG.10