



US00D964926S

(12) **United States Design Patent**
Lin

(10) **Patent No.:** **US D964,926 S**

(45) **Date of Patent:** **** Sep. 27, 2022**

(54) **COMBINED RADIATOR AND WIRELESS CHARGER FOR ELECTRONIC DEVICE**

(71) Applicant: **Shenzhen Benks Technology Co., Ltd**, Shenzhen (CN)

(72) Inventor: **Xiaojiang Lin**, Shenzhen (CN)

(73) Assignee: **SHENZHEN BENKS TECHNOLOGY CO., LTD**, Shenzhen (CN)

(**) Term: **15 Years**

(21) Appl. No.: **29/797,731**

(22) Filed: **Jul. 2, 2021**

(30) **Foreign Application Priority Data**

Jan. 19, 2021 (CN) 202130038074.5

(51) **LOC (13) Cl.** **13-02**

(52) **U.S. Cl.**
USPC **D13/107; D13/199**

(58) **Field of Classification Search**
USPC D13/107-110, 118, 119, 184, 199, 151, D13/153, 154, 155, 144, 133, 147; D14/433; D23/334-341, 370-385
(Continued)

(56) **References Cited**

U.S. PATENT DOCUMENTS

D591,700 S * 5/2009 Vojtila D13/199
D710,303 S * 8/2014 Liao D13/118
(Continued)

FOREIGN PATENT DOCUMENTS

CN 303441370 S 11/2015
CN 304826788 S 9/2018
CN 305174325 S 5/2019

OTHER PUBLICATIONS

Amazon.com: Benks Magnetic Wireless Charger Cooler Radiator . . . Date first available of Jun. 15, 2021. Retrieved from the internet at <https://www.amazon.com/BENKS-Magnetic-Wireless-Dissipation-Accessories/dp/B095RPNJMW/>, Apr. 6, 2022. 1 page. (Year: 2021).*

Primary Examiner — Christy Nemeth

(74) *Attorney, Agent, or Firm* — Andrew C. Cheng

(57) **CLAIM**

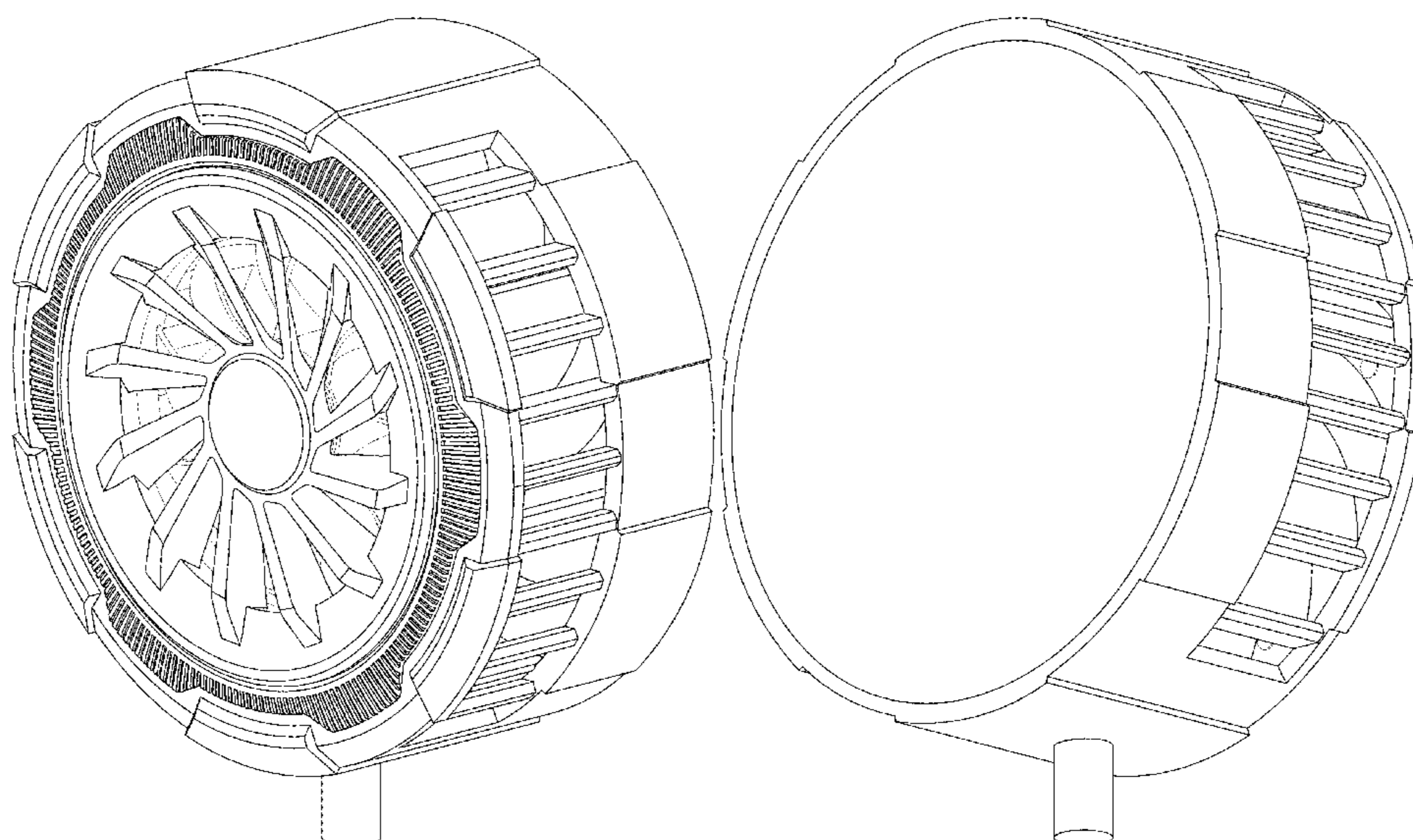
The ornamental design for a combined radiator and wireless charger for electronic device, as shown and described.

DESCRIPTION

FIG. 1 is a front perspective view of a combined radiator and wireless charger for electronic device of my new design; FIG. 2 is a rear perspective view thereof; FIG. 3 is a front view thereof; FIG. 4 is a rear view thereof; FIG. 5 is a left side view thereof; FIG. 6 is a right side view thereof; FIG. 7 is a top plan view thereof; FIG. 8 is a bottom plan view thereof; FIG. 9 is an enlarged view of area '9' in FIG. 5; FIG. 10 is an enlarged view of area '10' in FIG. 5; FIG. 11 is an enlarged view of area '11' in FIG. 6; FIG. 12 is an enlarged view of area '12' in FIG. 6; FIG. 13 is an enlarged view of area '13' in FIG. 7; FIG. 14 is an enlarged view of area '14' in FIG. 7; FIG. 15 is an enlarged view of area '15' in FIG. 8; and, FIG. 16 is an enlarged view of area '16' in FIG. 8.

The dash-dash broken lines in the drawings are for the purpose of illustrating portions of the combined radiator and wireless charger for electronic device that form no part of the claimed design. The dot-dash broken lines are for the purpose of illustrating the boundaries of the portions shown enlarged, and form no part of the claimed design.

1 Claim, 16 Drawing Sheets



(58) **Field of Classification Search**

CPC Y02E 60/12; H02J 7/025; H02J 7/0042;
H02J 7/0044; H02J 7/0045; H02J 7/0003;
H02J 7/0027; H02J 7/0013; H02J 7/0054;
H02J 7/00; H02J 2001/008; H02J 3/32;
H02J 3/008; H01F 38/14; H01R 13/6675;
H01M 2/1022; H01M 2/1055; H01M
10/44; H01M 10/46; H01M 10/425; B60L
11/182; B60L 11/1809; B60L 11/1861;
B60R 16/03

See application file for complete search history.

(56) **References Cited**

U.S. PATENT DOCUMENTS

D802,742	S	*	11/2017	Sun	D23/370
D810,911	S	*	2/2018	Hoss	D23/370
D813,369	S	*	3/2018	Chiu	D23/370
D860,427	S	*	9/2019	Cayton	D23/370
D905,223	S	*	12/2020	Münz	D23/370
D908,687	S	*	1/2021	Lebovitz	D14/253
D913,945	S	*	3/2021	Jung	D13/133
D920,496	S	*	5/2021	De Filippis	D23/370
D921,581	S	*	6/2021	Bao	D13/107
D926,694	S	*	8/2021	Jung	D13/133
D930,808	S	*	9/2021	Hsu	D23/370
D932,440	S	*	10/2021	Huang	D13/122
D936,006	S	*	11/2021	Siciliano	D13/110
D937,206	S	*	11/2021	Romano	D13/108
D939,438	S	*	12/2021	Hu	D13/108
D941,754	S	*	1/2022	Schmidt	D13/107
D941,760	S	*	1/2022	Ryan	D13/108
D945,378	S	*	3/2022	Jung	D13/133

* cited by examiner

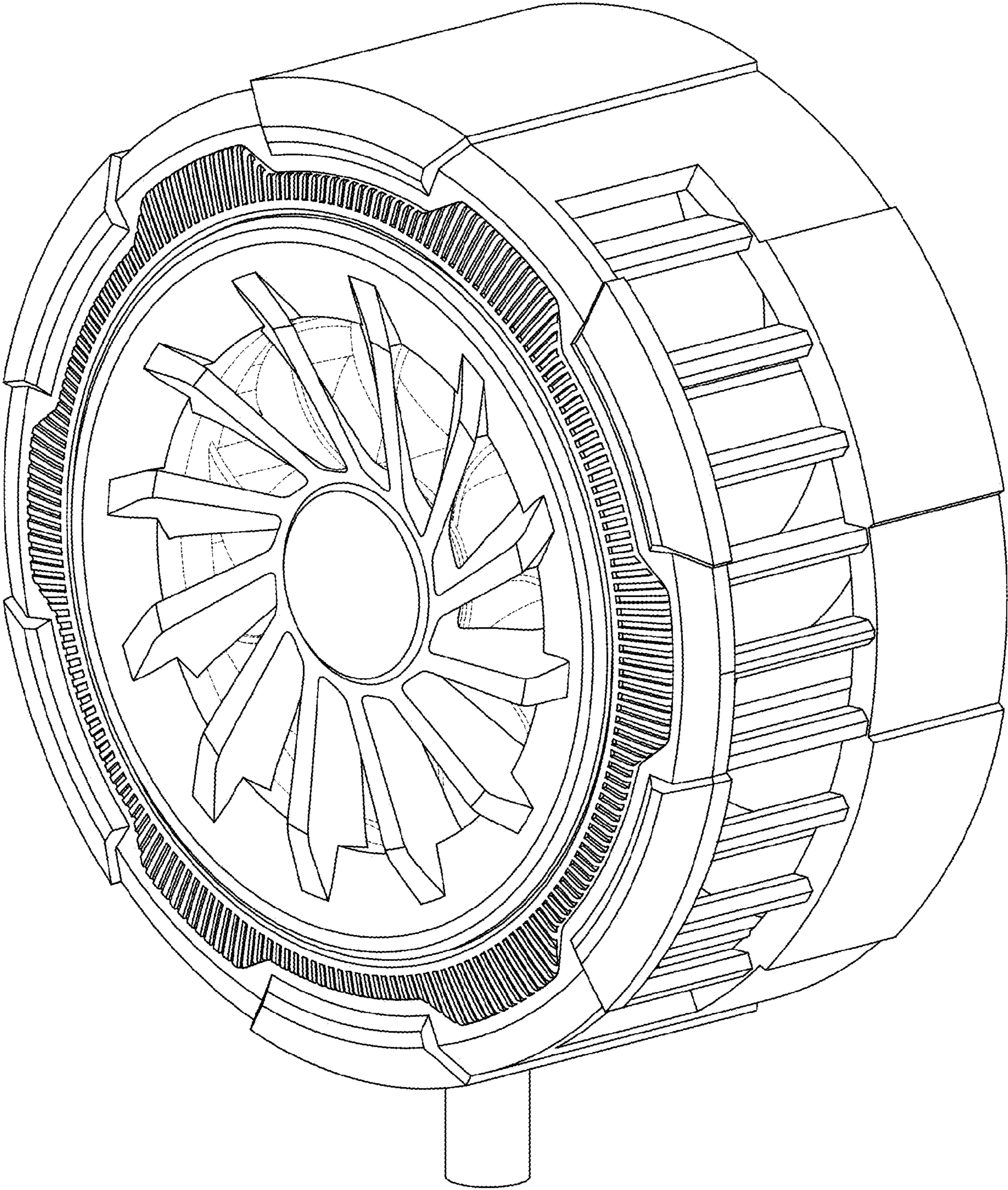


FIG.1

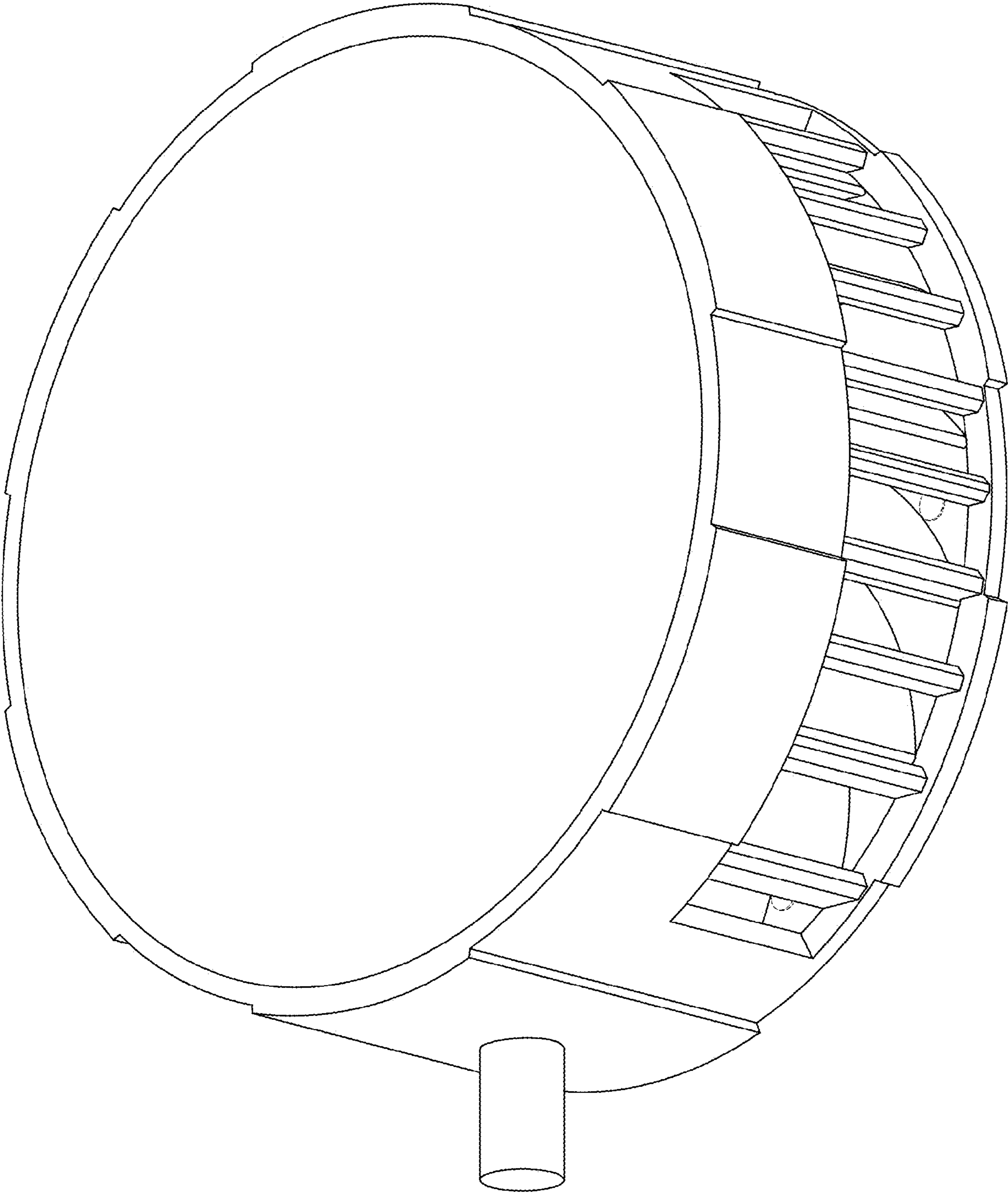


FIG.2

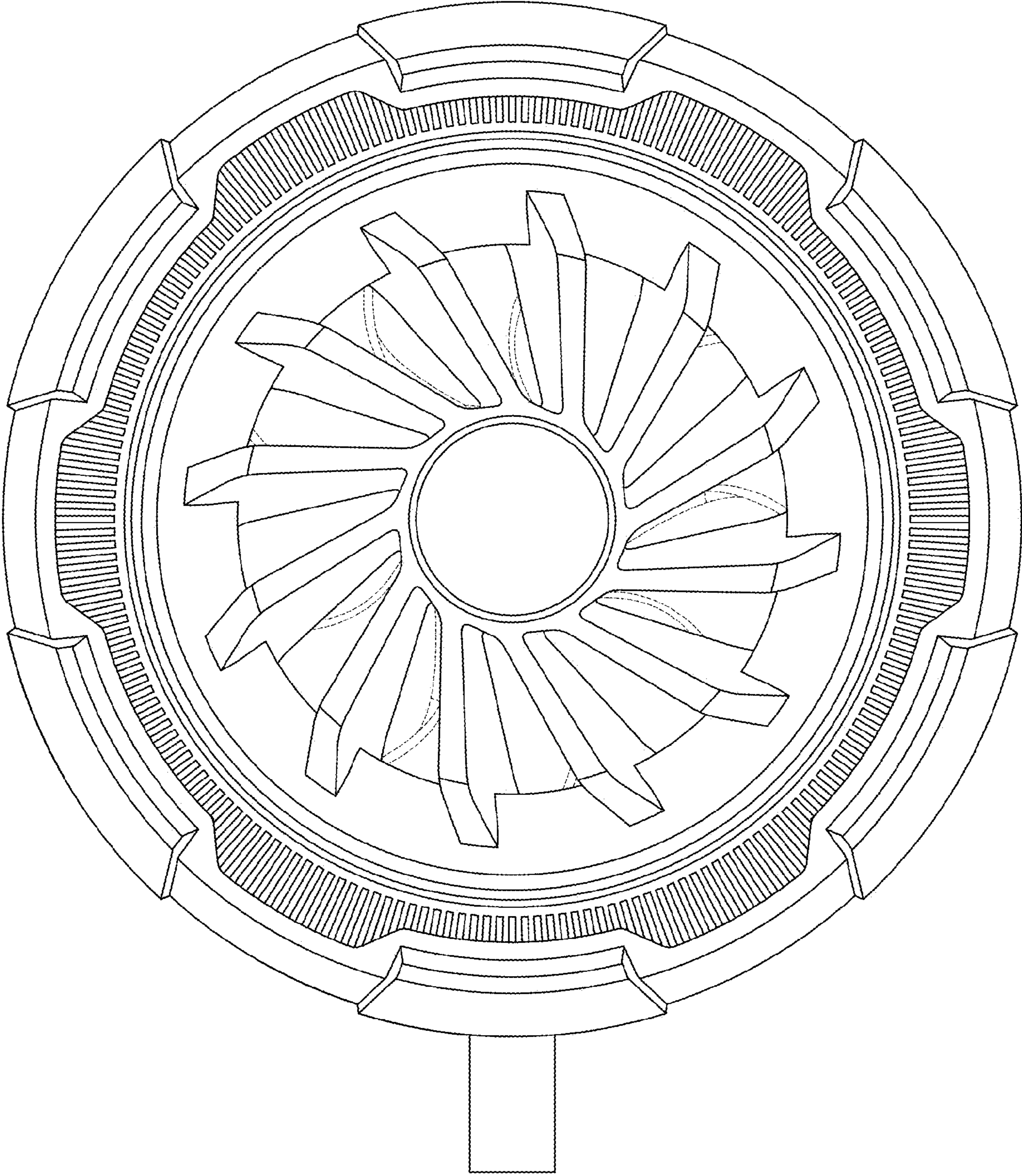


FIG.3

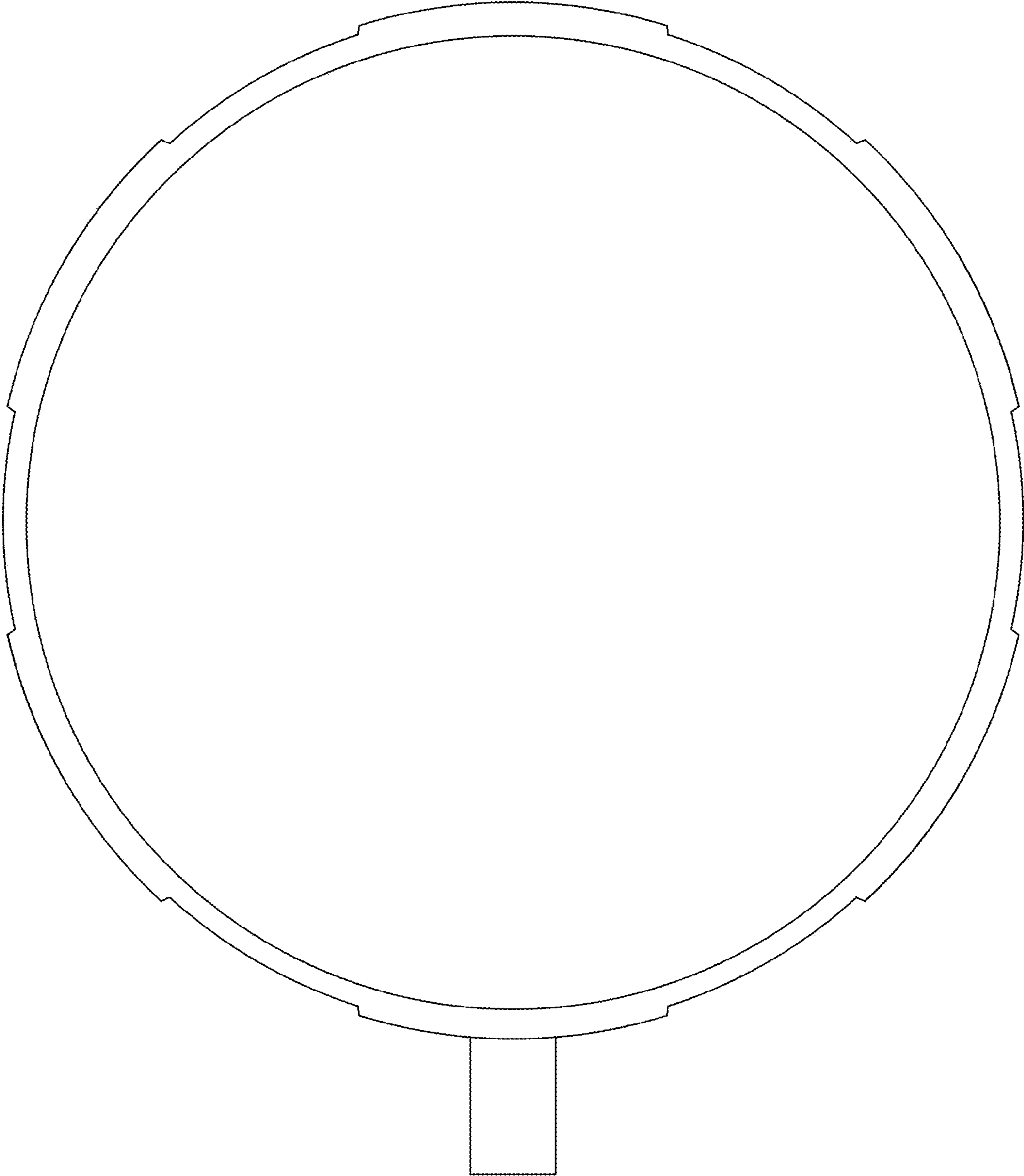


FIG. 4

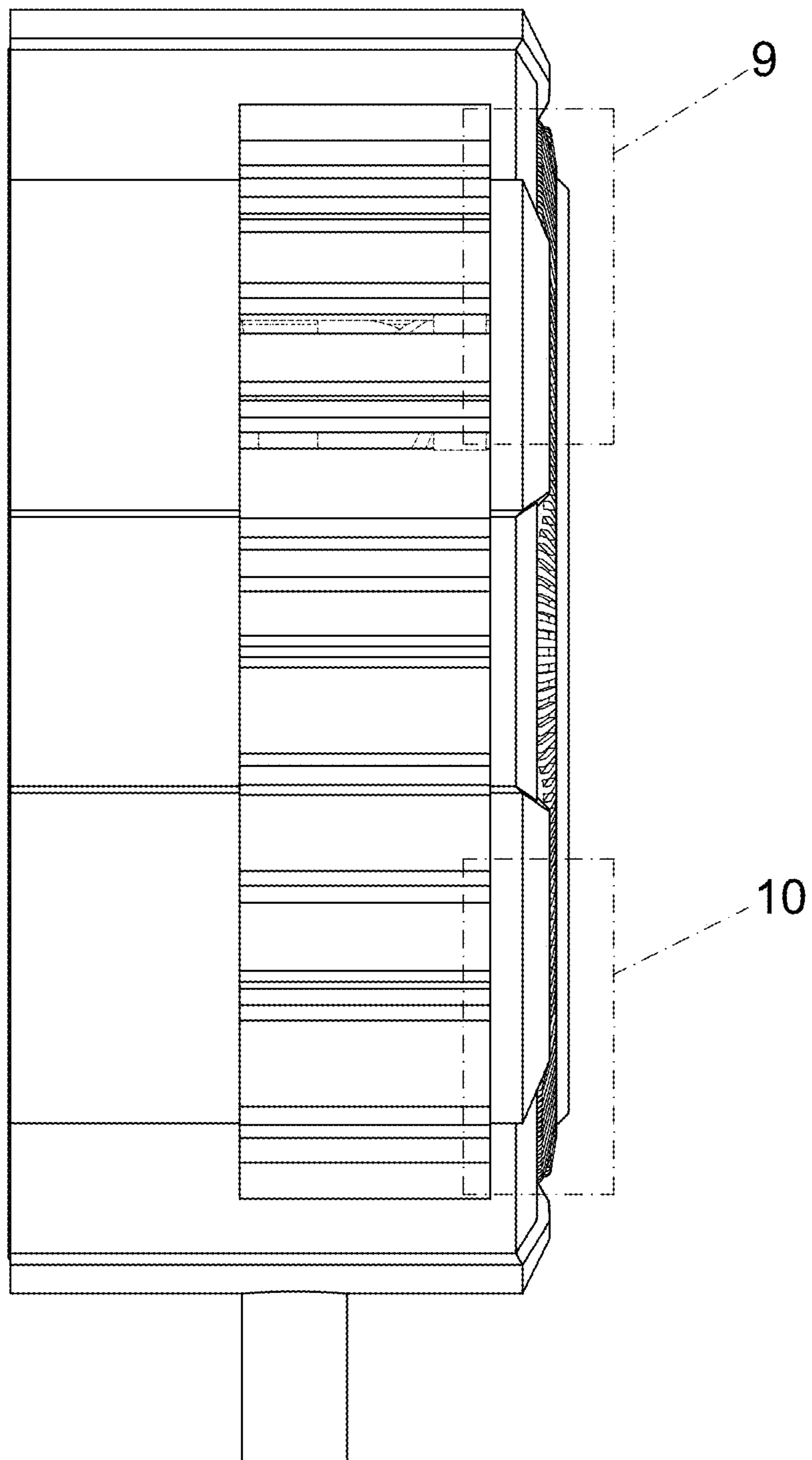


FIG.5

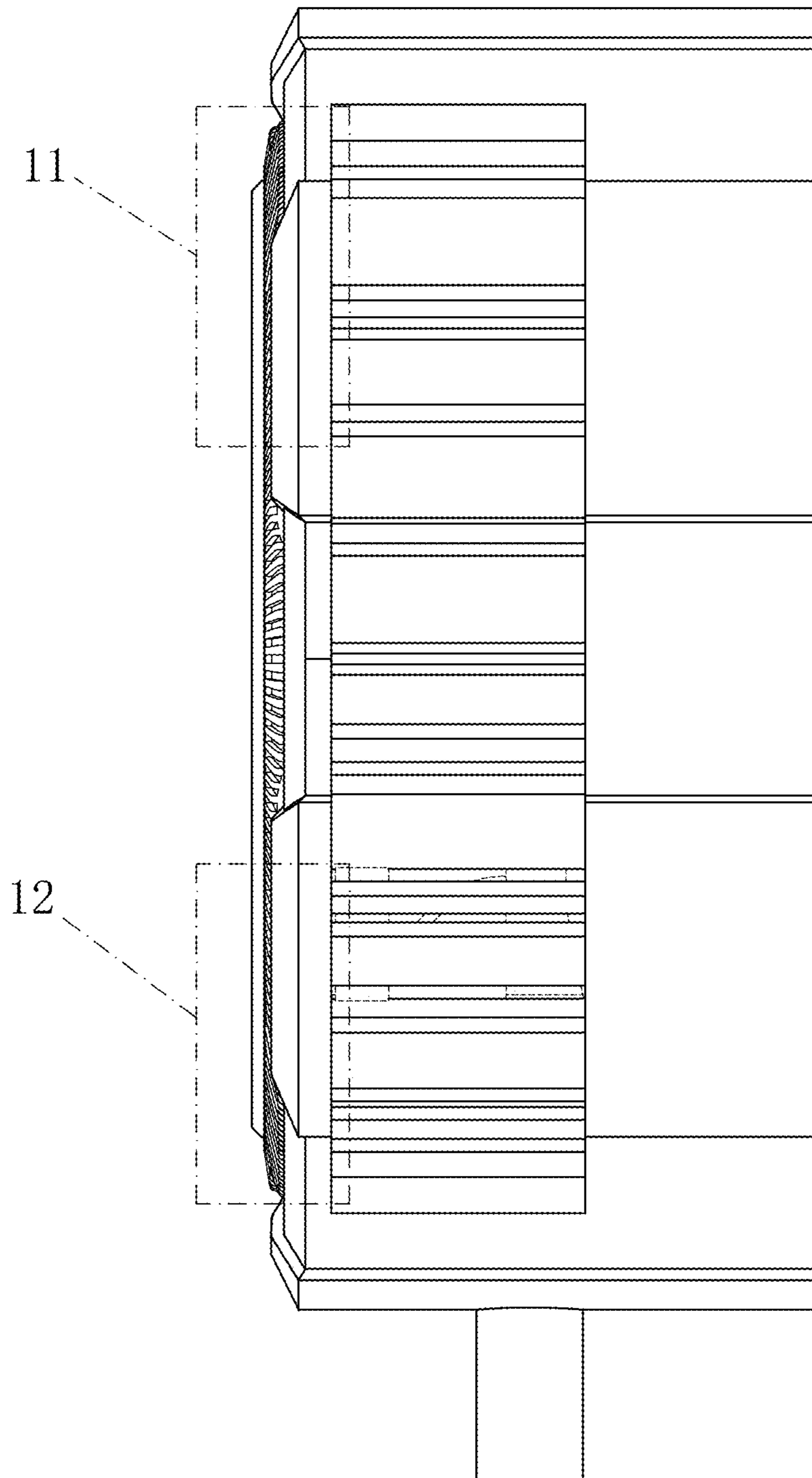


FIG.6

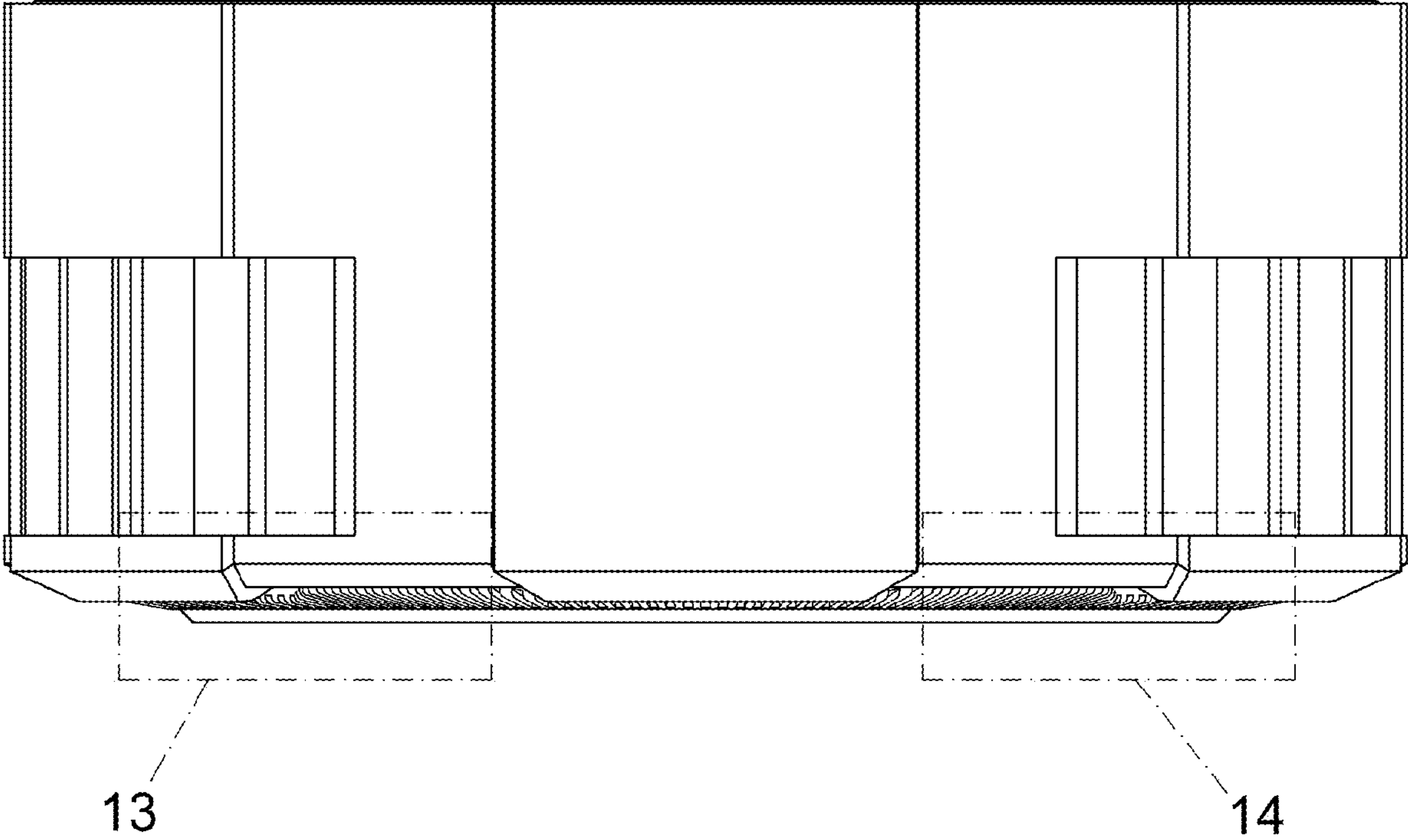


FIG.7

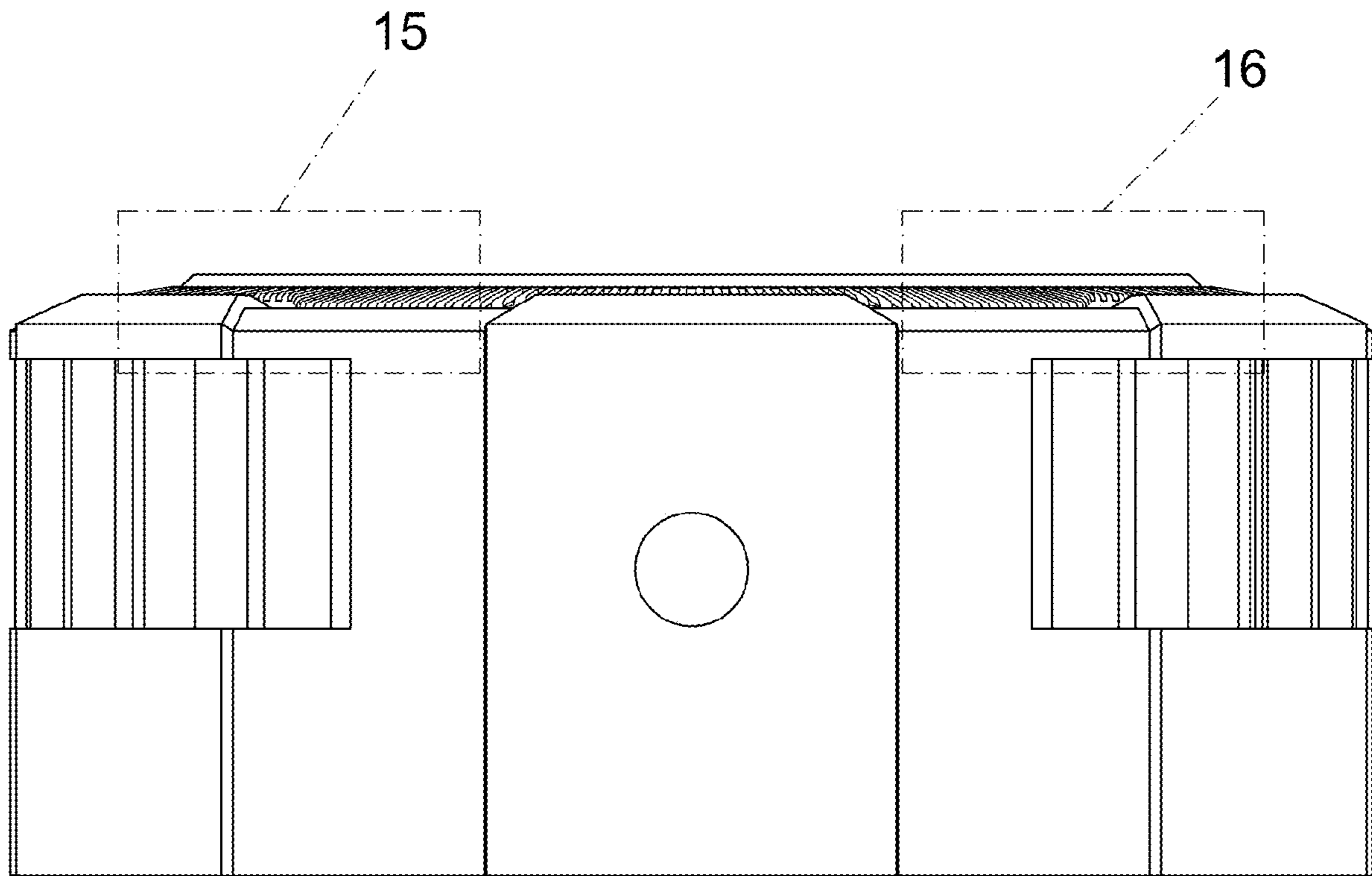


FIG.8

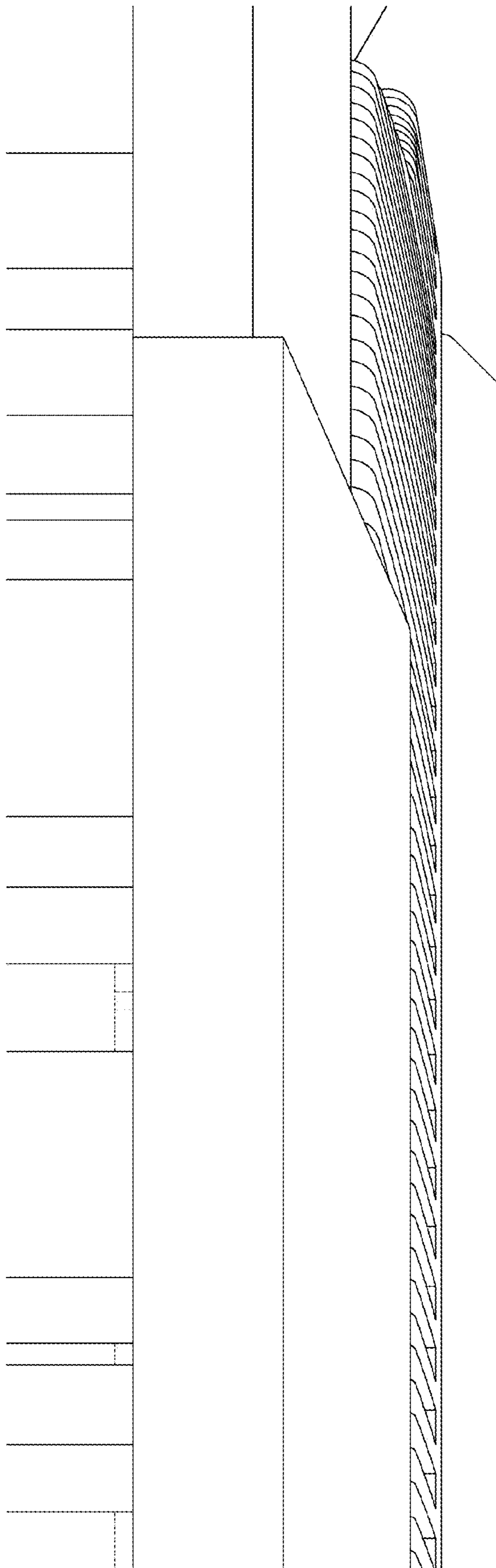


FIG.9

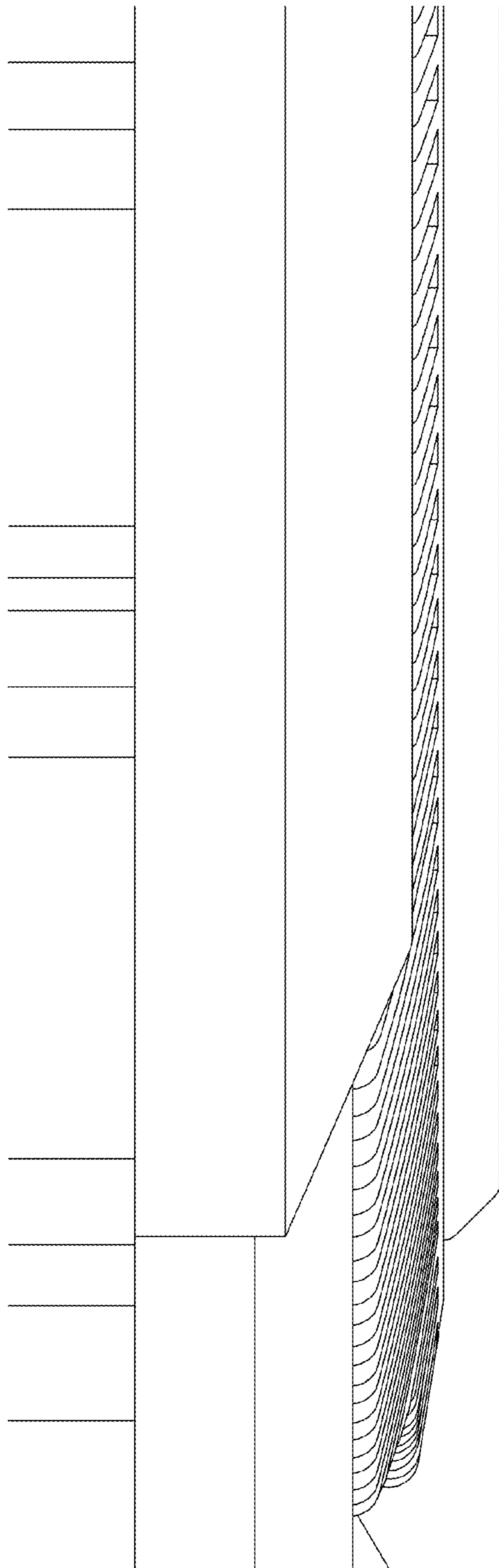


FIG.10

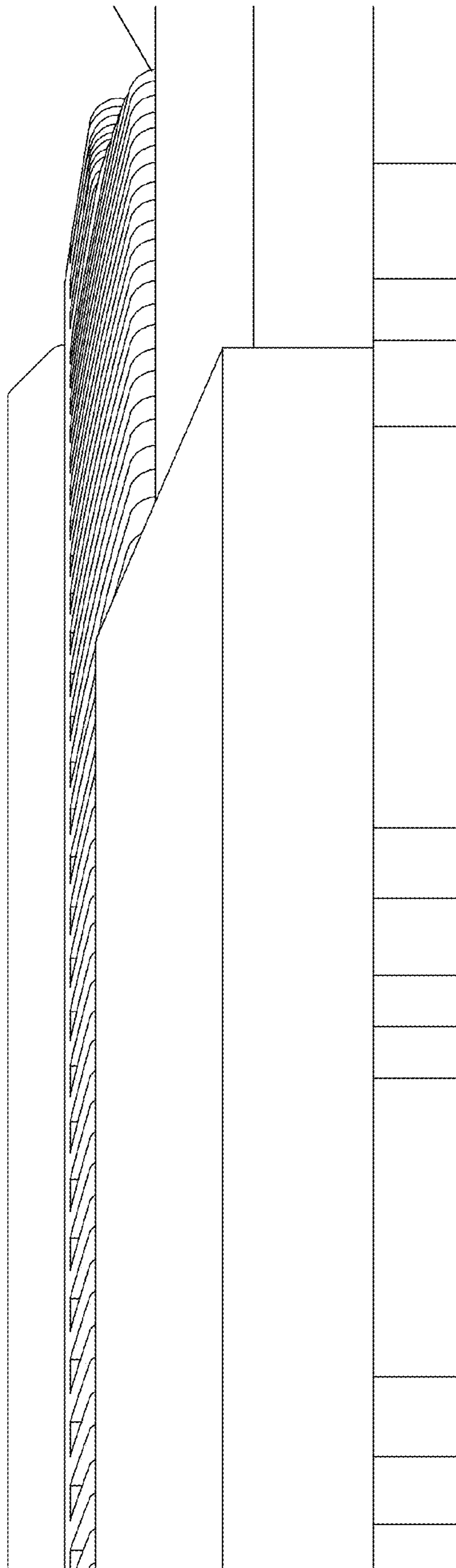


FIG.11

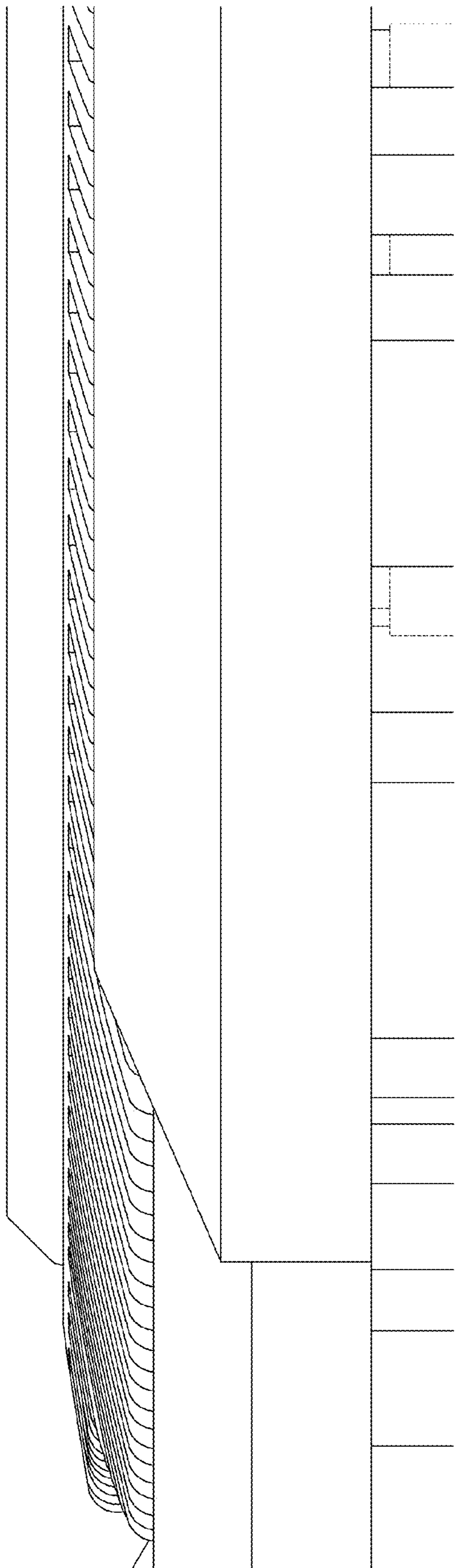


FIG.12

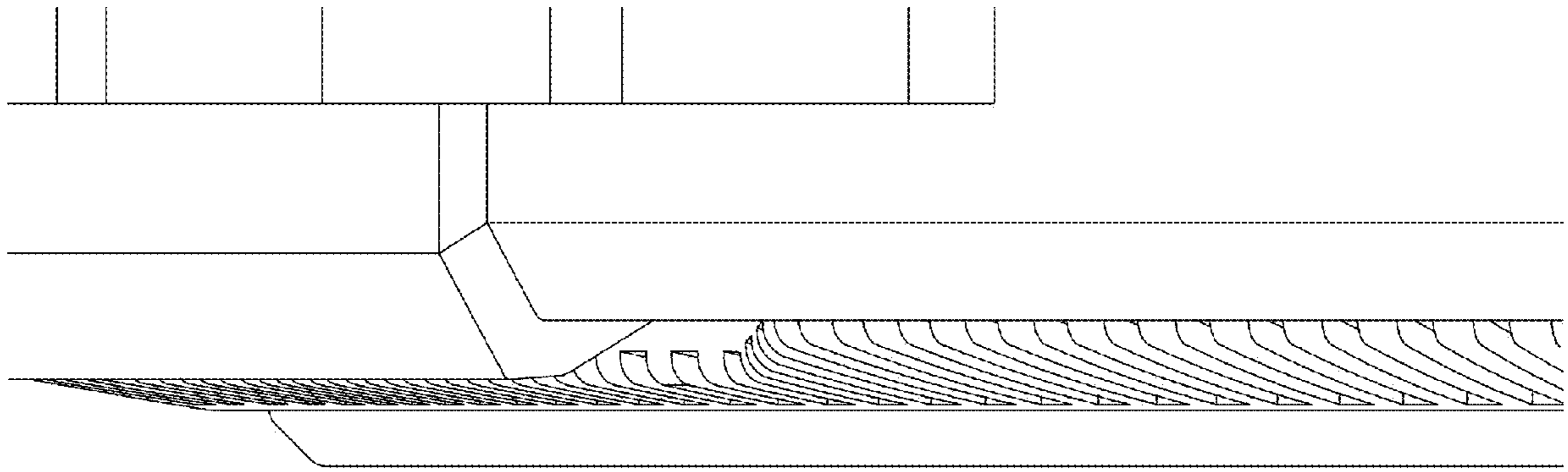


FIG.13

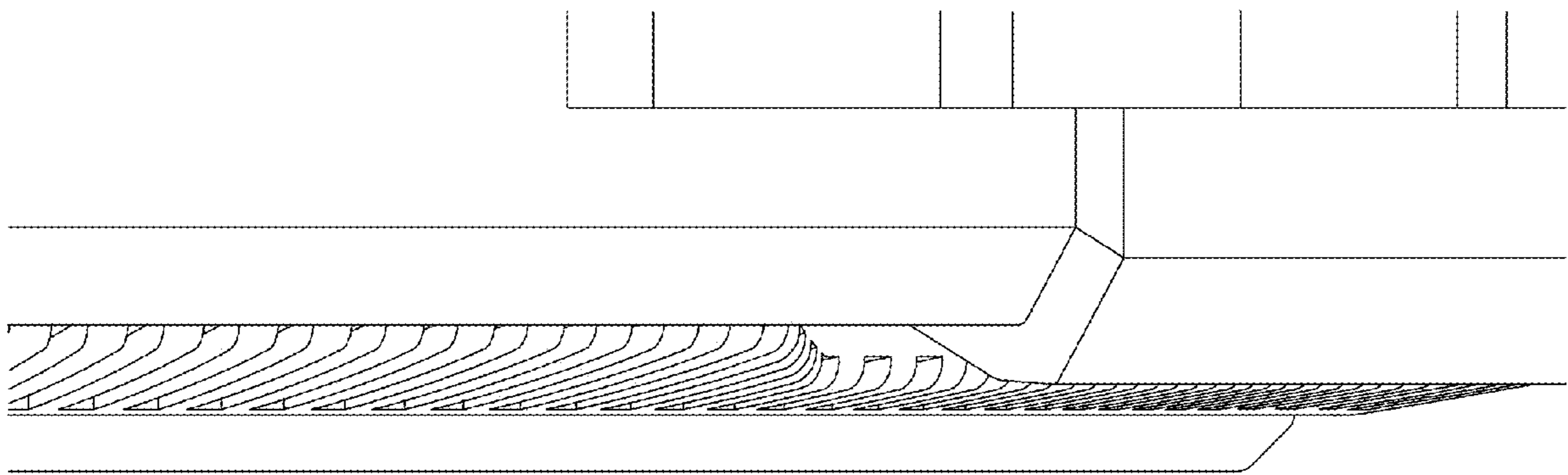


FIG.14

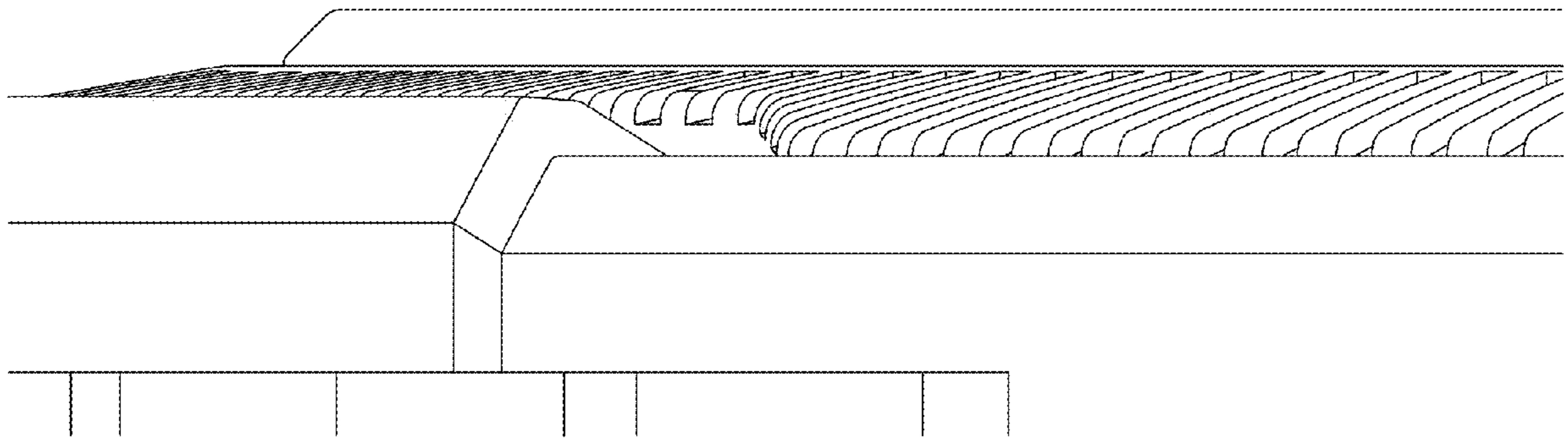


FIG.15

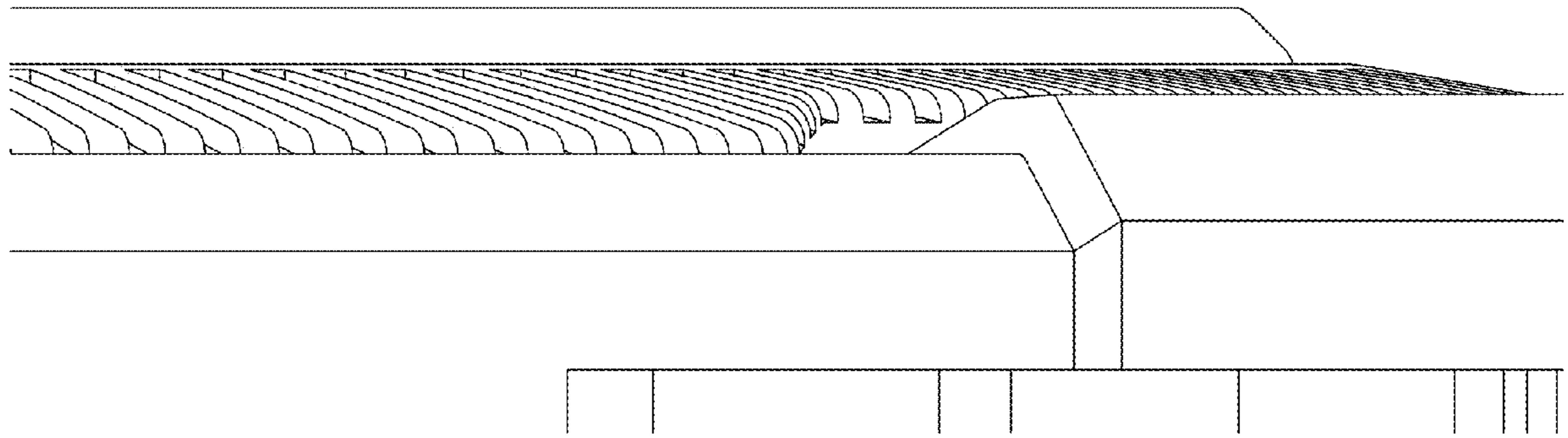


FIG.16