



US00D964925S

(12) **United States Design Patent** (10) **Patent No.:** **US D964,925 S**  
**McMurry** (45) **Date of Patent:** **\*\* Sep. 27, 2022**

(54) **CHARGING BASE TRAY FOR FLAMELESS CANDLES**

8,729,446 B2 \* 5/2014 Verfuertth ..... G08G 1/0116  
250/205

9,755,438 B2 9/2017 Thompson  
D827,189 S 8/2018 Li

(Continued)

(71) Applicant: **Christopher McMurry**, Phoenix, AZ  
(US)

FOREIGN PATENT DOCUMENTS

(72) Inventor: **Christopher McMurry**, Phoenix, AZ  
(US)

AU 2015100274 A4 4/2015  
EP 2261552 A1 12/2010

(\*\*) Term: **15 Years**

OTHER PUBLICATIONS

(21) Appl. No.: **29/702,578**

Examiner's Search Report From European Patent Office, Application No. 19218547.8, dated Apr. 21, 2020, 9 Pages.

(22) Filed: **Aug. 20, 2019**

(51) **LOC (13) Cl.** ..... **13-02**

*Primary Examiner* — Richard Kearney

(52) **U.S. Cl.**

*Assistant Examiner* — Benjamin M Weeks

USPC ..... **D13/107**

(74) *Attorney, Agent, or Firm* — Goodhue, Coleman & Owens, P.C.

(58) **Field of Classification Search**

USPC ..... D26/63, 72, 80, 81-92, 142, 143, 144,  
D26/81-92, 4, 5, 6, 7, 9, 22, 96;  
D13/101, 103, 107, 108, 118, 119  
CPC .... F21S 8/03; F21S 8/031; F21S 8/033; F21S  
8/035; F21S 8/036; F21S 13/02; F21S  
6/00; F21S 6/001; F21S 10/04; F21S  
10/10; F21S 10/043; H02J 7/025  
See application file for complete search history.

(57) **CLAIM**

The ornamental design for charging base tray for flameless candles, as shown and described.

**DESCRIPTION**

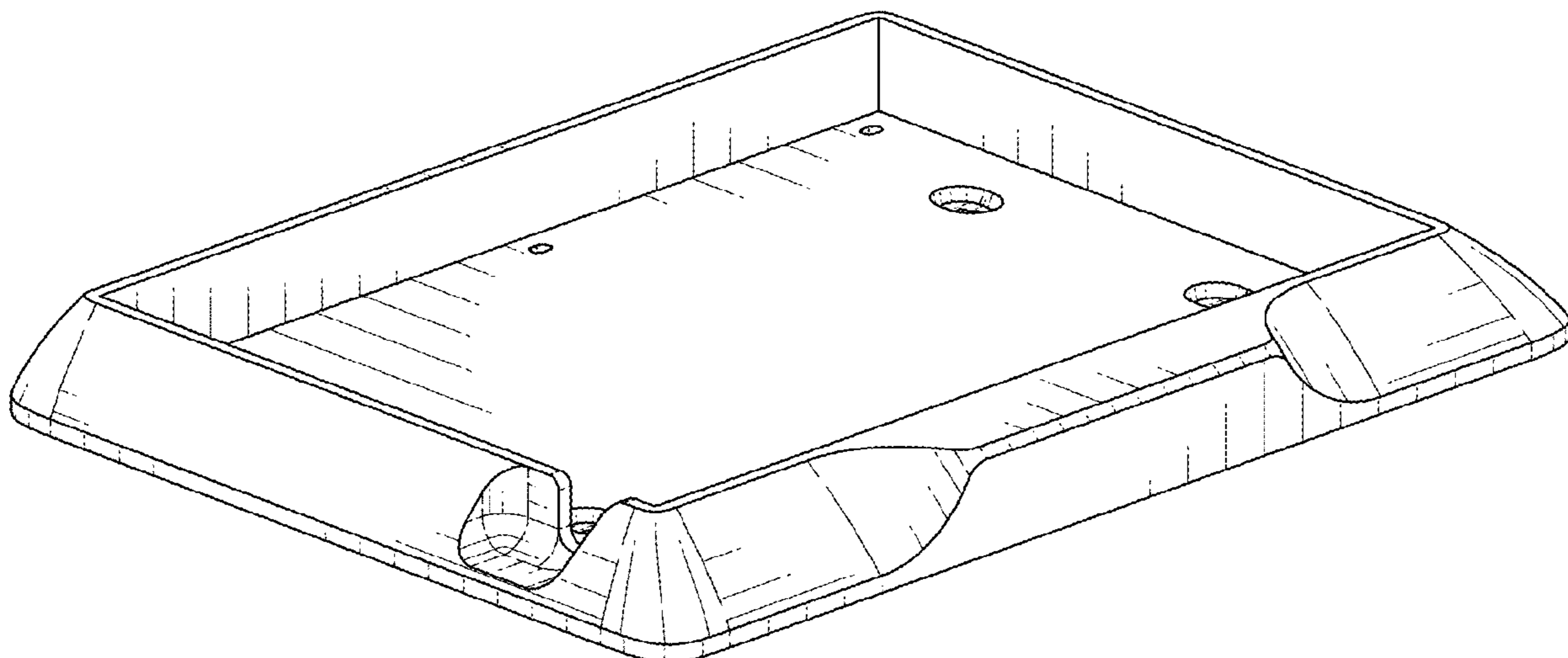
(56) **References Cited**

U.S. PATENT DOCUMENTS

3,059,780 A 10/1962 Blaise  
D346,786 S \* 5/1994 Nagele ..... D13/108  
D519,449 S \* 4/2006 Luneau ..... D13/107  
D567,993 S \* 4/2008 Shiu ..... D26/102  
D574,548 S \* 8/2008 Wilcox ..... D26/89  
D604,871 S \* 11/2009 Denton ..... D26/24  
D609,638 S \* 2/2010 Biheller ..... D13/108  
D617,029 S \* 6/2010 Verfuertth ..... D26/75  
8,322,881 B1 \* 12/2012 Wassel ..... F21V 7/28  
362/247  
8,476,565 B2 \* 7/2013 Verfuertth ..... H05B 47/19  
250/205  
8,579,461 B2 11/2013 Fournier et al.

FIG. 1 is a front perspective view of a charging base tray for flameless candles showing our new designs;  
FIG. 2 is a rear perspective view thereof;  
FIG. 3 is a front view thereof;  
FIG. 4 is a rear view thereof;  
FIG. 5 is a left side view thereof;  
FIG. 6 is a right side view thereof;  
FIG. 7 is a top view thereof;  
FIG. 8 is a bottom view thereof;  
FIG. 9 is a perspective view thereof shown in use;  
FIG. 10 is another perspective view thereof shown in use;  
and,  
FIG. 11 is another perspective view thereof shown in use.  
The broken lines in the Figures show portions of the charging base tray for flameless candles which form no part of the claimed design.

**1 Claim, 7 Drawing Sheets**



(56)

**References Cited**

U.S. PATENT DOCUMENTS

D876,003 S \* 2/2020 Carskadon ..... D26/142  
D911,643 S \* 2/2021 Miller ..... D32/31  
D917,387 S \* 4/2021 Ludwig ..... D13/108  
2005/0276049 A1 \* 12/2005 Sun ..... G02F 1/1336  
362/260  
2008/0247180 A1 10/2008 Lederer  
2009/0315485 A1 \* 12/2009 Verfueth ..... H05B 47/16  
315/320  
2014/0042962 A1 2/2014 Thompson  
2014/0203757 A1 7/2014 Ibragimova et al.  
2017/0097131 A1 \* 4/2017 Wu ..... F04D 29/28  
2017/0264119 A1 9/2017 Fournier et al.  
2018/0166898 A1 6/2018 Schreiber et al.  
2019/0123576 A1 4/2019 Longo et al.

\* cited by examiner

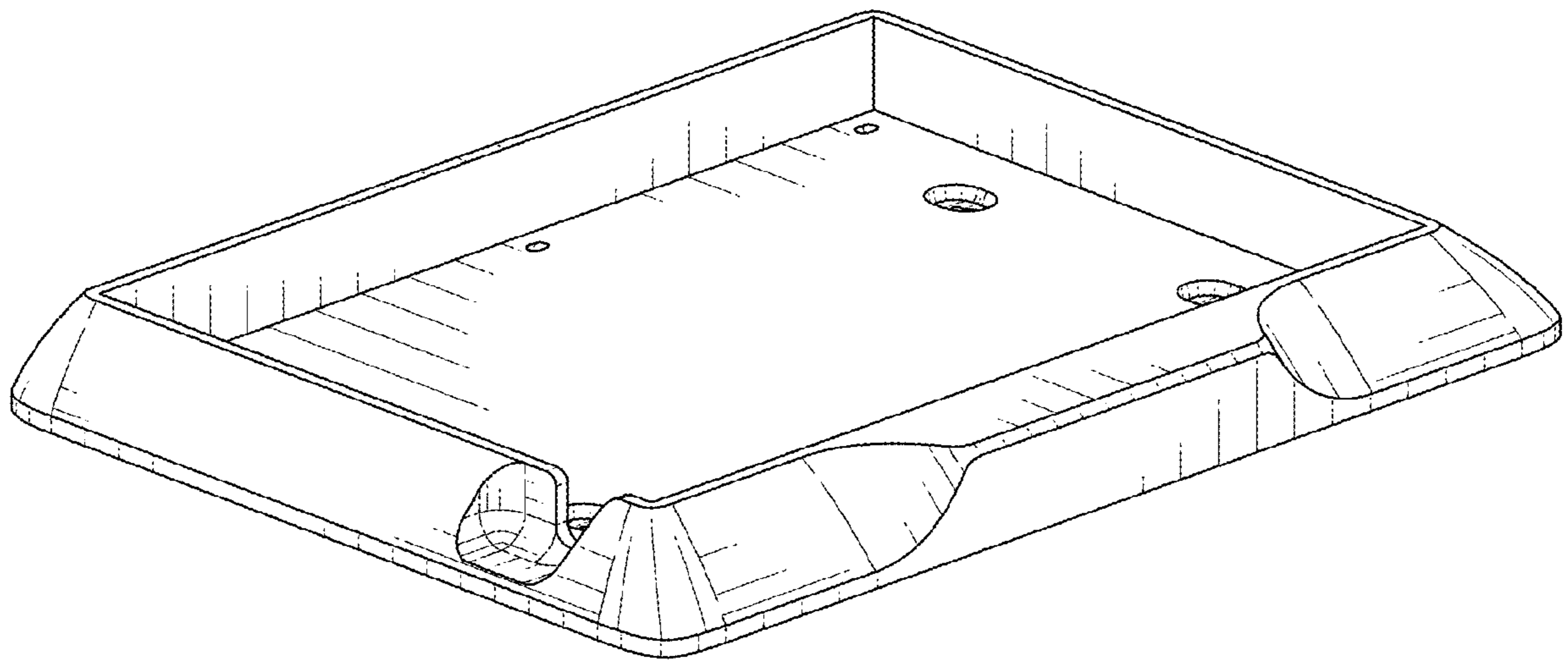


FIG. 1

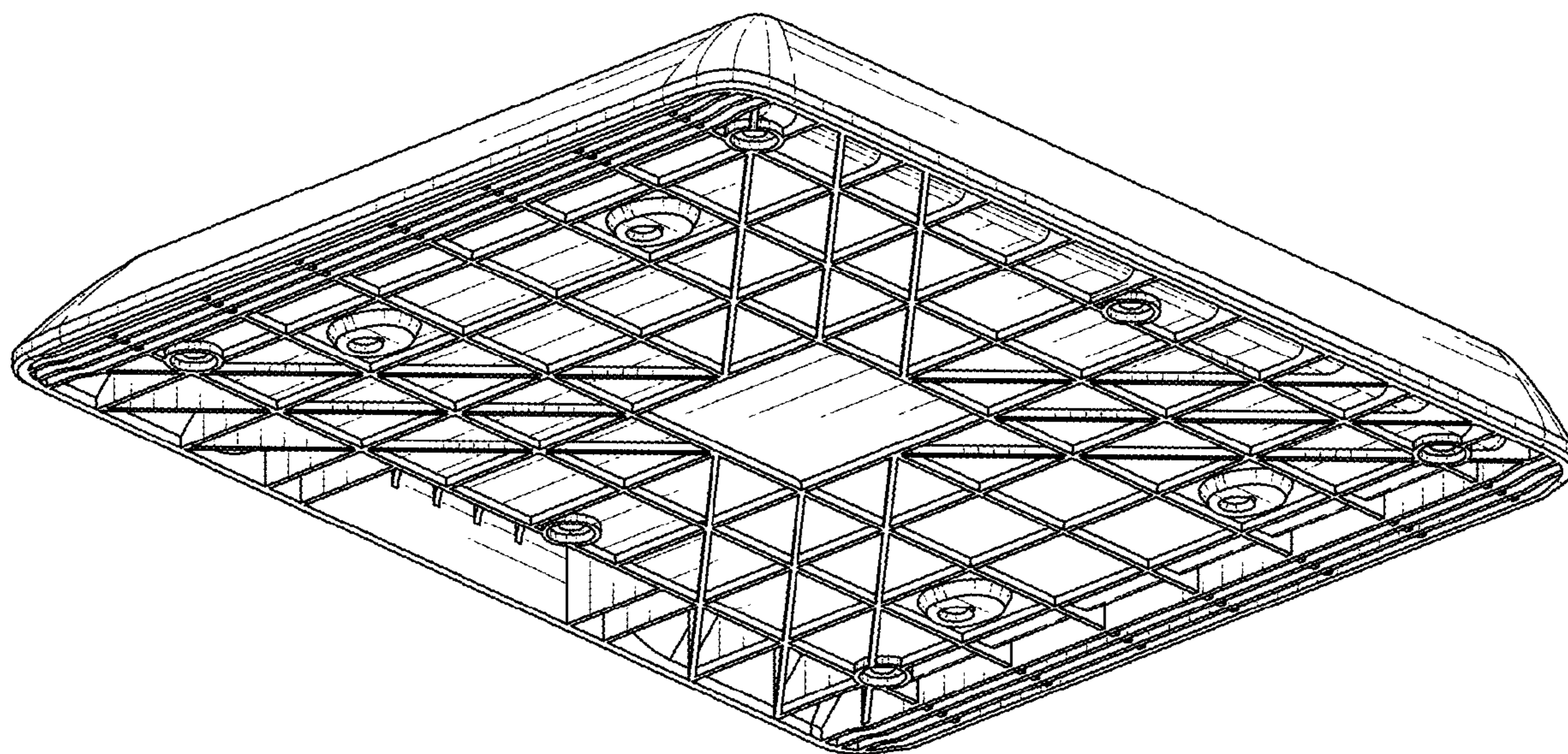


FIG. 2

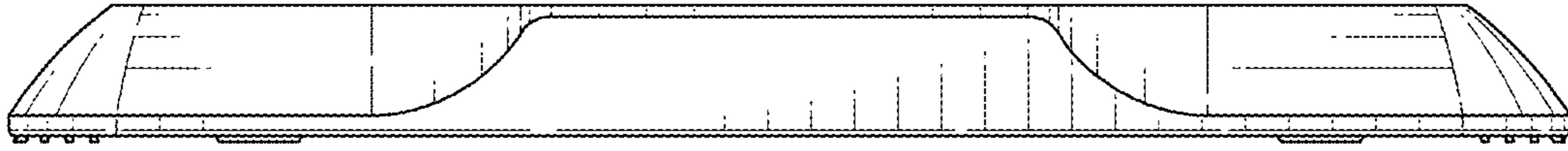


FIG. 3



FIG. 4



FIG. 5

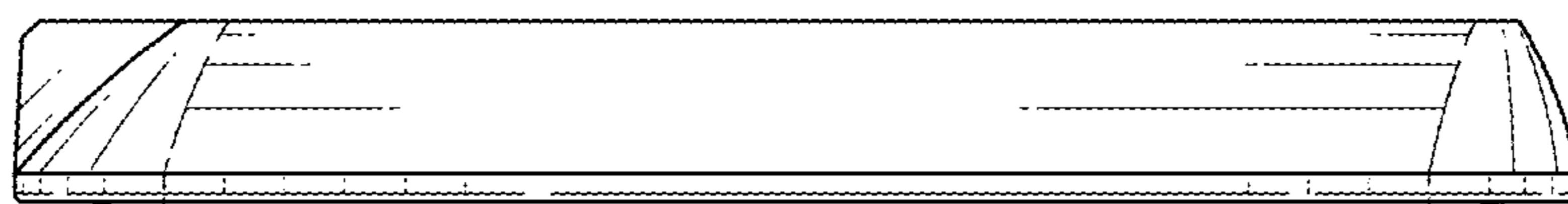


FIG. 6

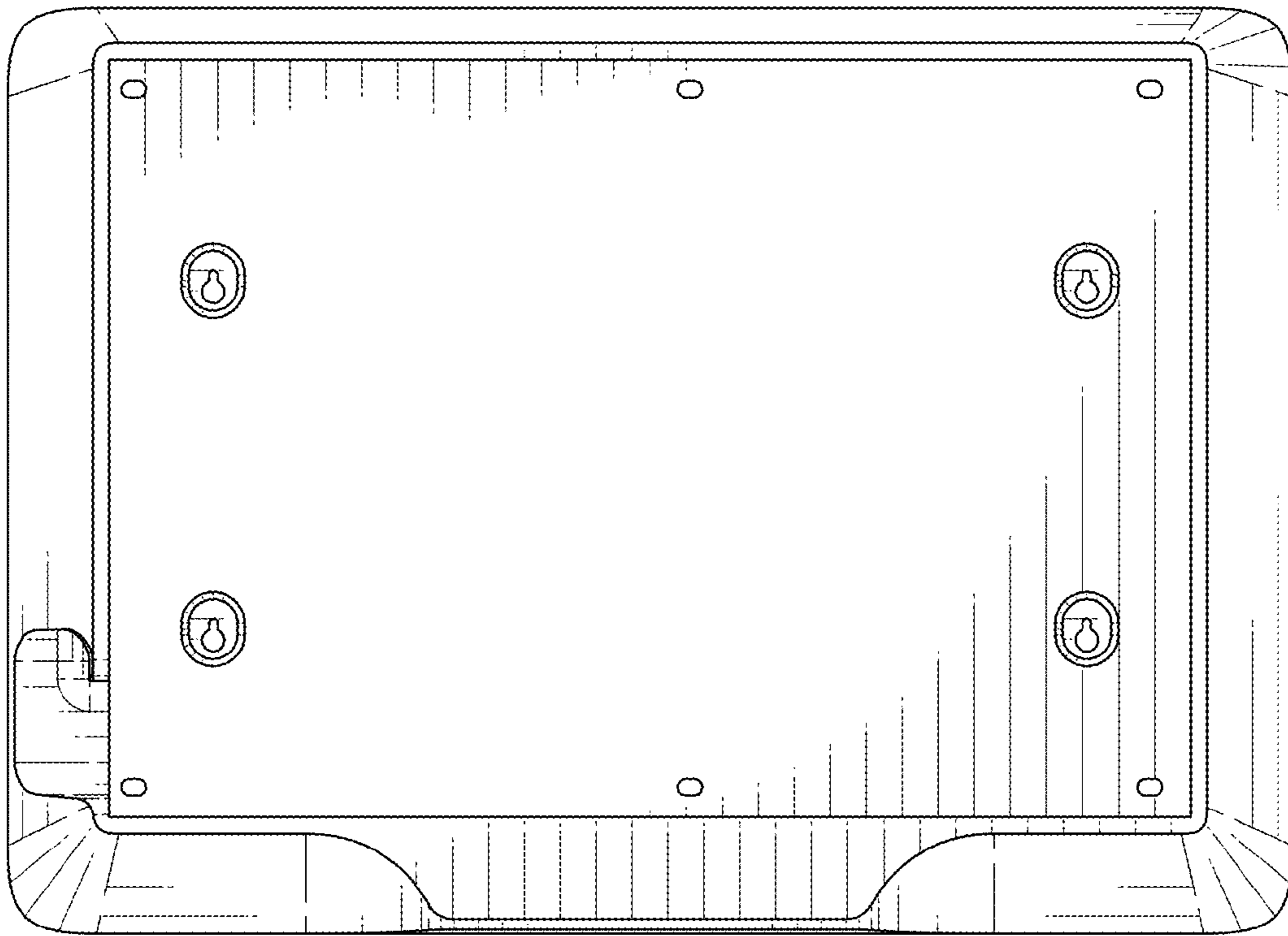


FIG. 7

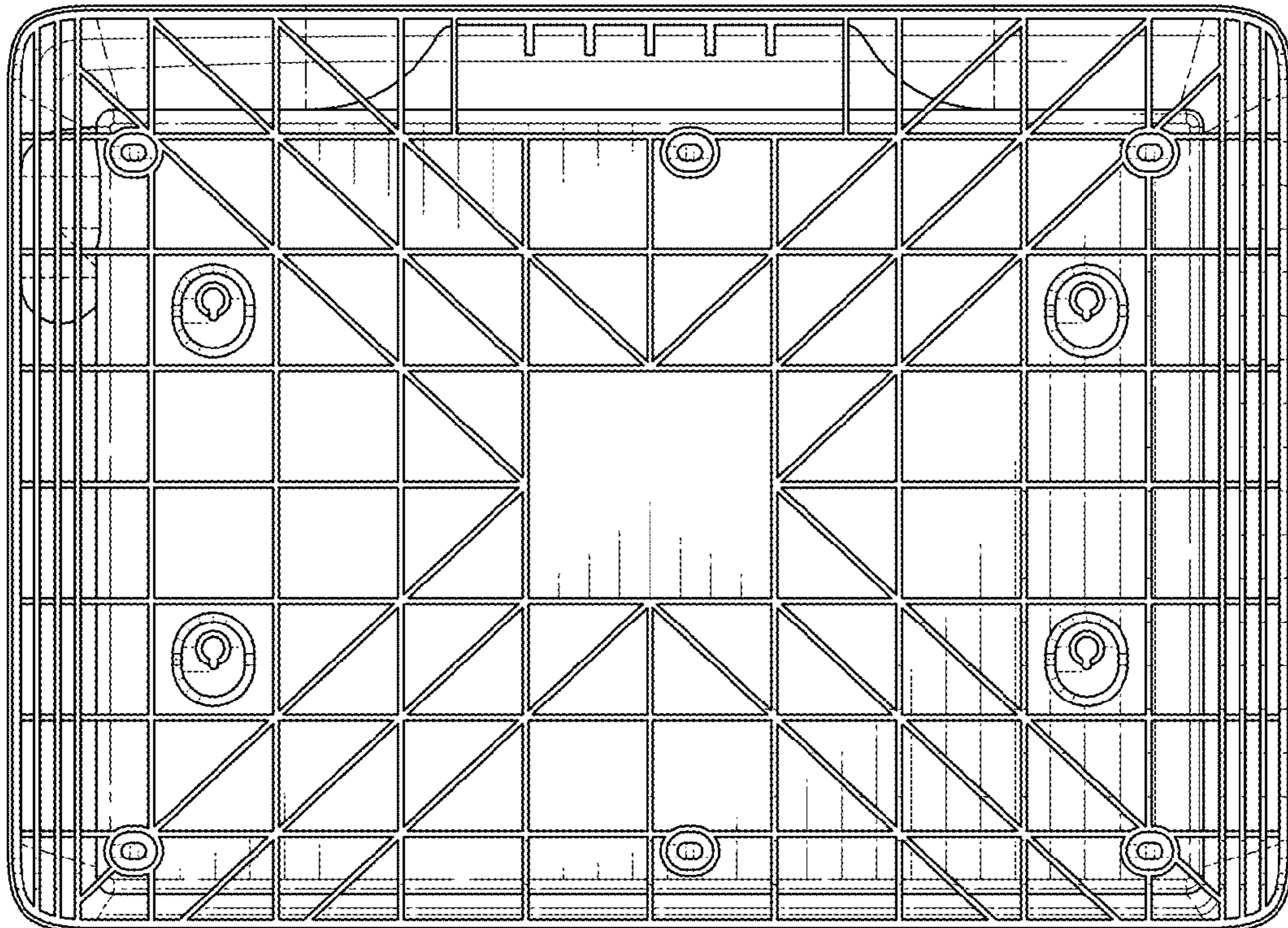


FIG. 8

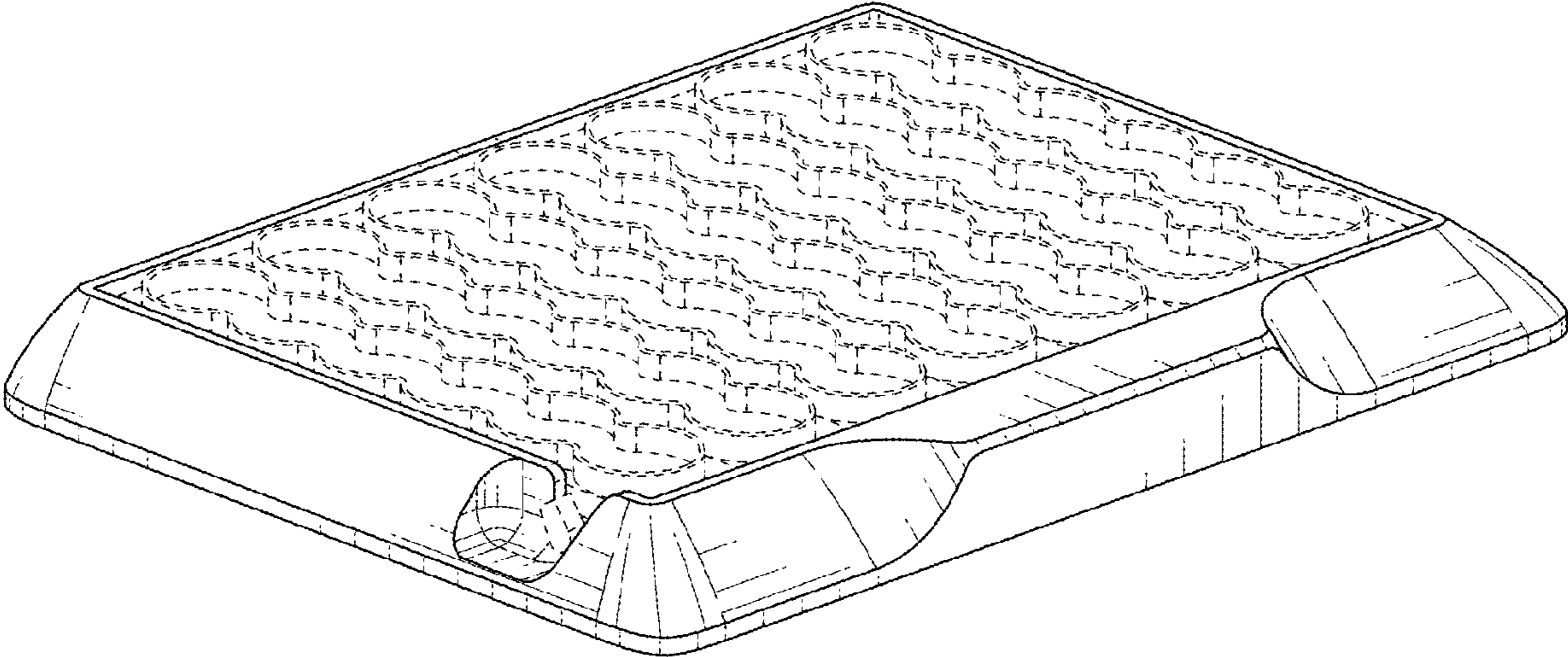


FIG. 9

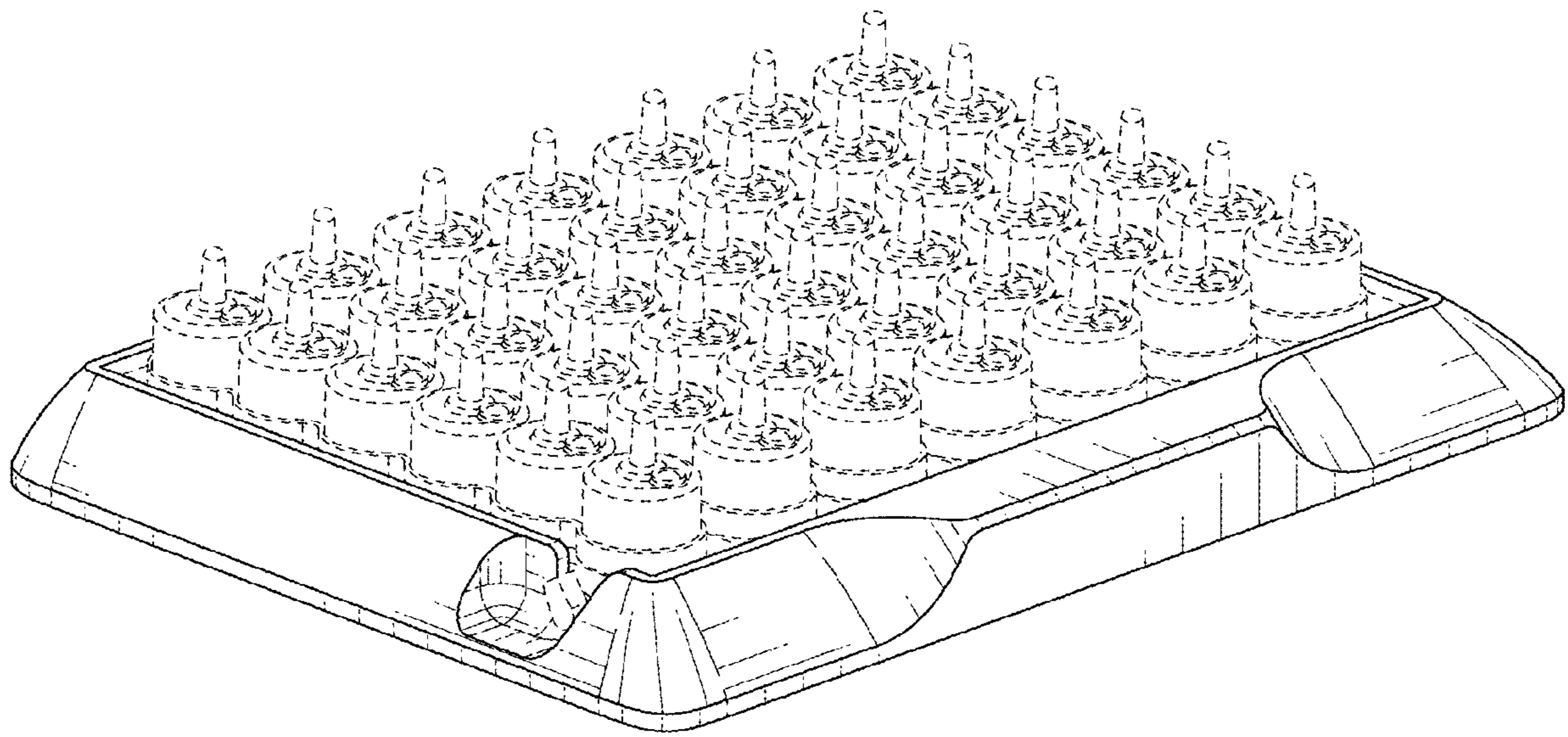


FIG. 10



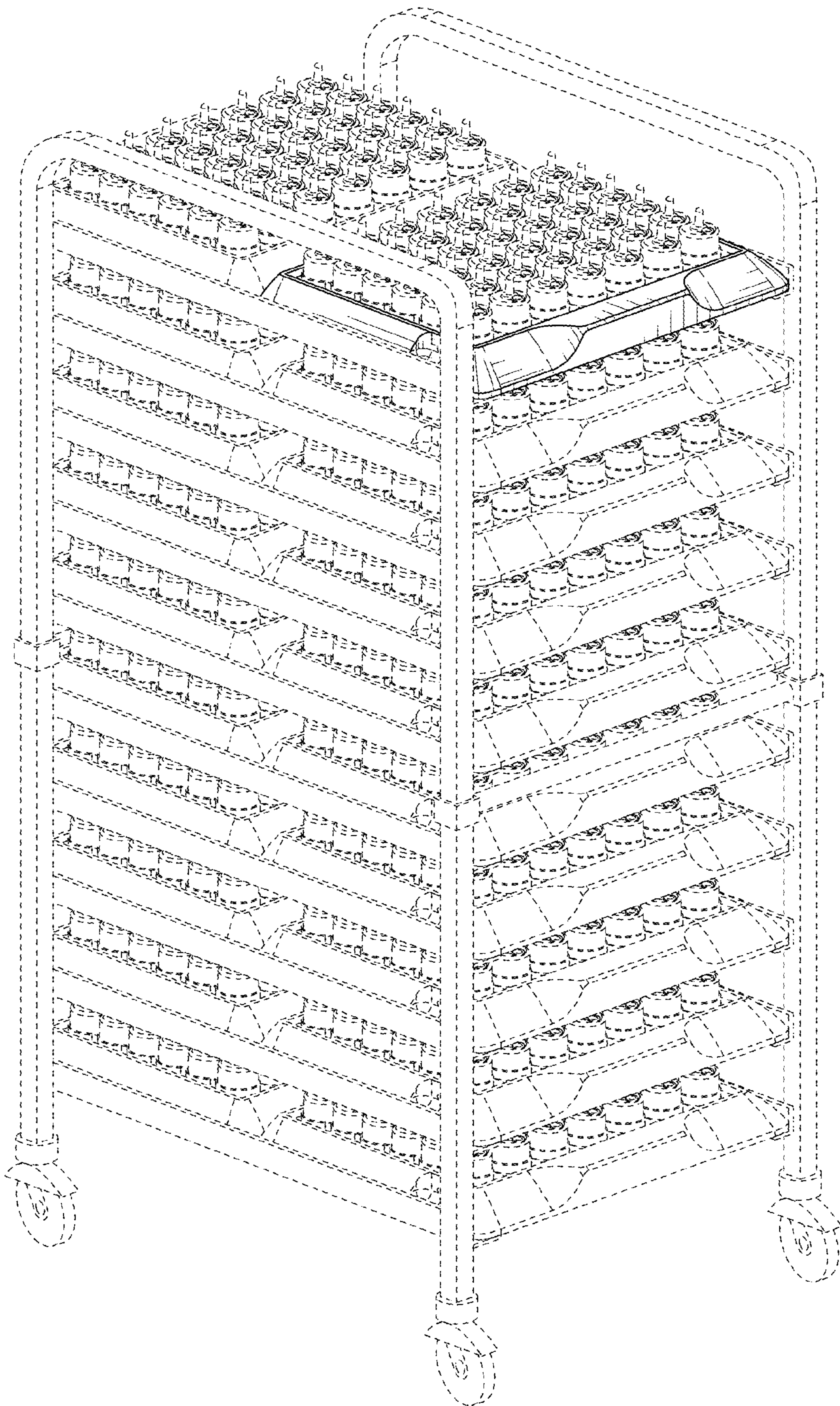


FIG. 11