



US00D964923S

(12) **United States Design Patent** (10) **Patent No.:** **US D964,923 S**
Cheeks (45) **Date of Patent:** **** Sep. 27, 2022**

(54) **DETACHABLE WIRELESS CHARGING APPARATUS**

(71) Applicant: **Joshua Cheeks**, Lafayette, LA (US)

(72) Inventor: **Joshua Cheeks**, Lafayette, LA (US)

(**) Term: **15 Years**

(21) Appl. No.: **29/743,571**

(22) Filed: **Jul. 22, 2020**

(51) **LOC (13) Cl.** **13-02**

(52) **U.S. Cl.**
USPC **D13/103**

(58) **Field of Classification Search**

USPC D13/102–106, 110, 118, 119, 184, 199

CPC Y02E 60/10; H01M 6/00; H01M 6/14;
H01M 6/05; H01M 6/10; H01M 6/52

See application file for complete search history.

(56) **References Cited**

U.S. PATENT DOCUMENTS

D752,509 S *	3/2016	Lin	D13/103
D773,389 S *	12/2016	Miller	D13/103
D817,269 S *	5/2018	Sukphist	D13/108
D827,565 S *	9/2018	Eliyahu	D13/103
D871,321 S *	12/2019	Chung	D13/103
D886,050 S *	6/2020	Zhang	D13/108
D902,147 S *	11/2020	Stray	D13/107
D908,612 S *	1/2021	Sexton	D13/107
D911,270 S *	2/2021	Li	D13/103
D913,214 S *	3/2021	Duman	D13/103

(Continued)

OTHER PUBLICATIONS

Phone Chargers. (Design—© Questel) orbit.com. [Online PDF compilation of references] 42 pgs. Print Dates Range Jul. 9, 2021-Oct. 30, 2020 [Retrieved Nov. 4, 2021].*

(Continued)

Primary Examiner — Manpreet S Matharu

Assistant Examiner — Suzanne E Tisdell

(74) *Attorney, Agent, or Firm* — Sanchelima & Associates, P.A.; Christian Sanchelima; Jesus Sanchelima

(57) **CLAIM**

The ornamental design for a detachable wireless charging apparatus, as shown and described.

DESCRIPTION

FIG. 1 is an isometric view of two portions of a detachable wireless charging apparatus in a disassembled configuration showing my new design;

FIG. 2 is another isometric view of the first portion and the second portion of the detachable wireless charging apparatus in an assembled configuration;

FIG. 3 is a front elevational view of a first portion and second portion of my new design in a disassembled configuration;

FIG. 4 is a rear elevational view of the first portion and second portion of my new design in a disassembled configuration;

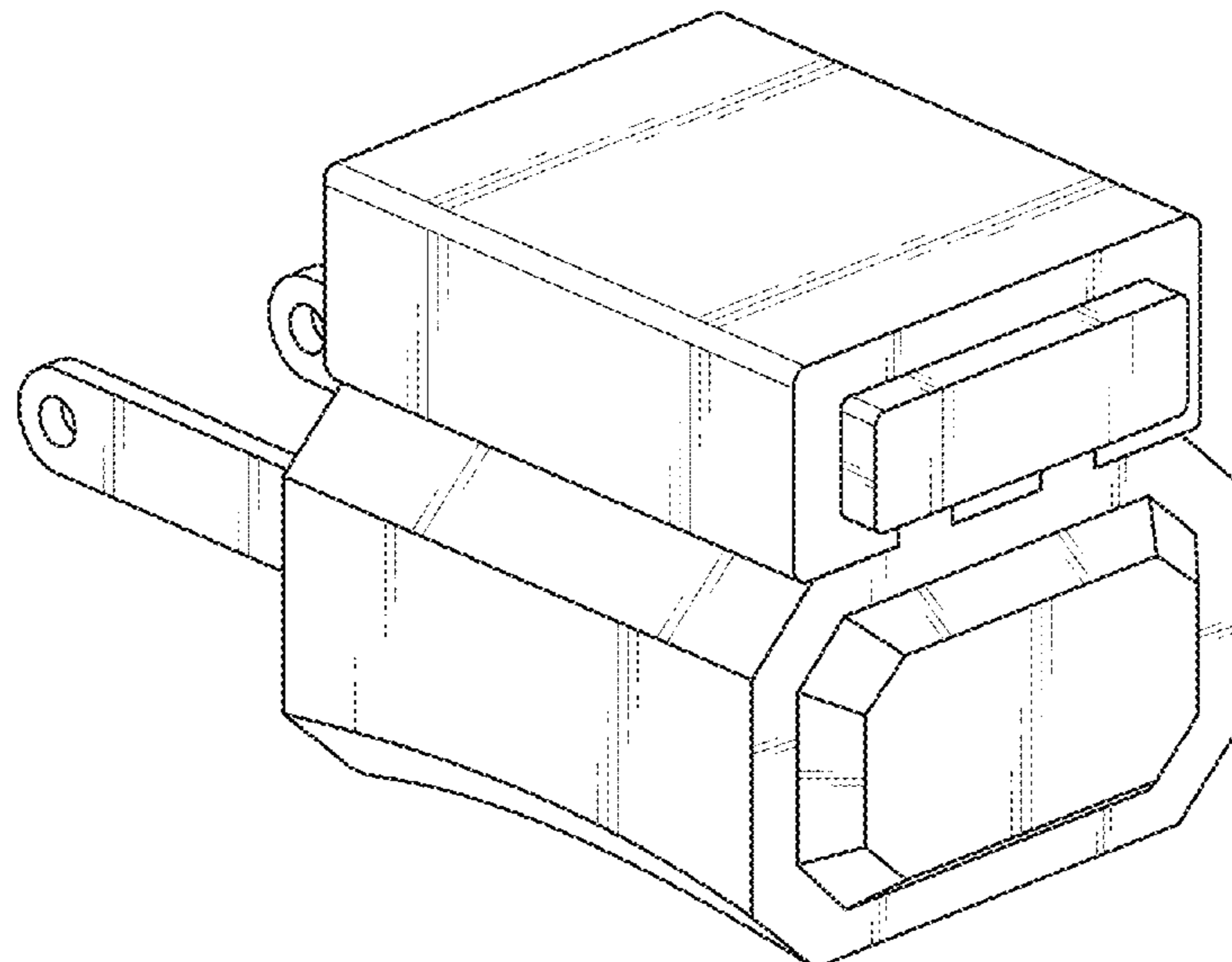
FIG. 5 is a left side elevational view of the first portion and second portion of my new design in a disassembled configuration;

FIG. 6 is a right elevational view of the first portion and second portion of my new design in a disassembled configuration;

FIG. 7 is a top plan view of the first portion and second portion of my new design in a disassembled configuration; and,

FIG. 8 is a bottom plan view of the first portion and second portion of my new design in a disassembled configuration. Dot-dash broken lines showing the mobile device of FIG. 1 show environmental subject matter that forms no part of the claimed design. Evenly-spaced broken lines in the figures show portions of the wireless charging apparatus that form no part of the claimed design.

1 Claim, 5 Drawing Sheets



(56)

References Cited

U.S. PATENT DOCUMENTS

D916,653 S * 4/2021 Genoa D13/103
D919,562 S * 5/2021 Saito D13/103
D920,231 S * 5/2021 Saito D13/103

OTHER PUBLICATIONS

Reeljuice Power Bank. Before Oct. 14, 2016 Grommet. <https://www.thegrommet.com/products/lynktec-reeljuice-power-bank-and-10w-rapid-wall-charger#readReviews>.*

Quick Charge USB C High Speed Portable Charger. Amazon. Dec. 17, 2020. Amazon. https://www.amazon.com/10000mAh-High-Speed-Portable-External-Compatible/dp/B08QTYGBV5/ref=sr_1_3?keywords=portable+phone+charger+with+detachable+plug&qid=1636061902&sr=8-3.*

IWALK Portable Charger. Amazon. Sep. 21, 2019. Amazon. https://www.amazon.com/iWALK-Portable-Charger-Ultra-Compact-Compatible/dp/B07Y4PRK7Y/ref=sr_1_8?keywords=portable+phone+charger+with+detachable+plug&qid=1636062027&sr=8-8.*

* cited by examiner

FIG. 1

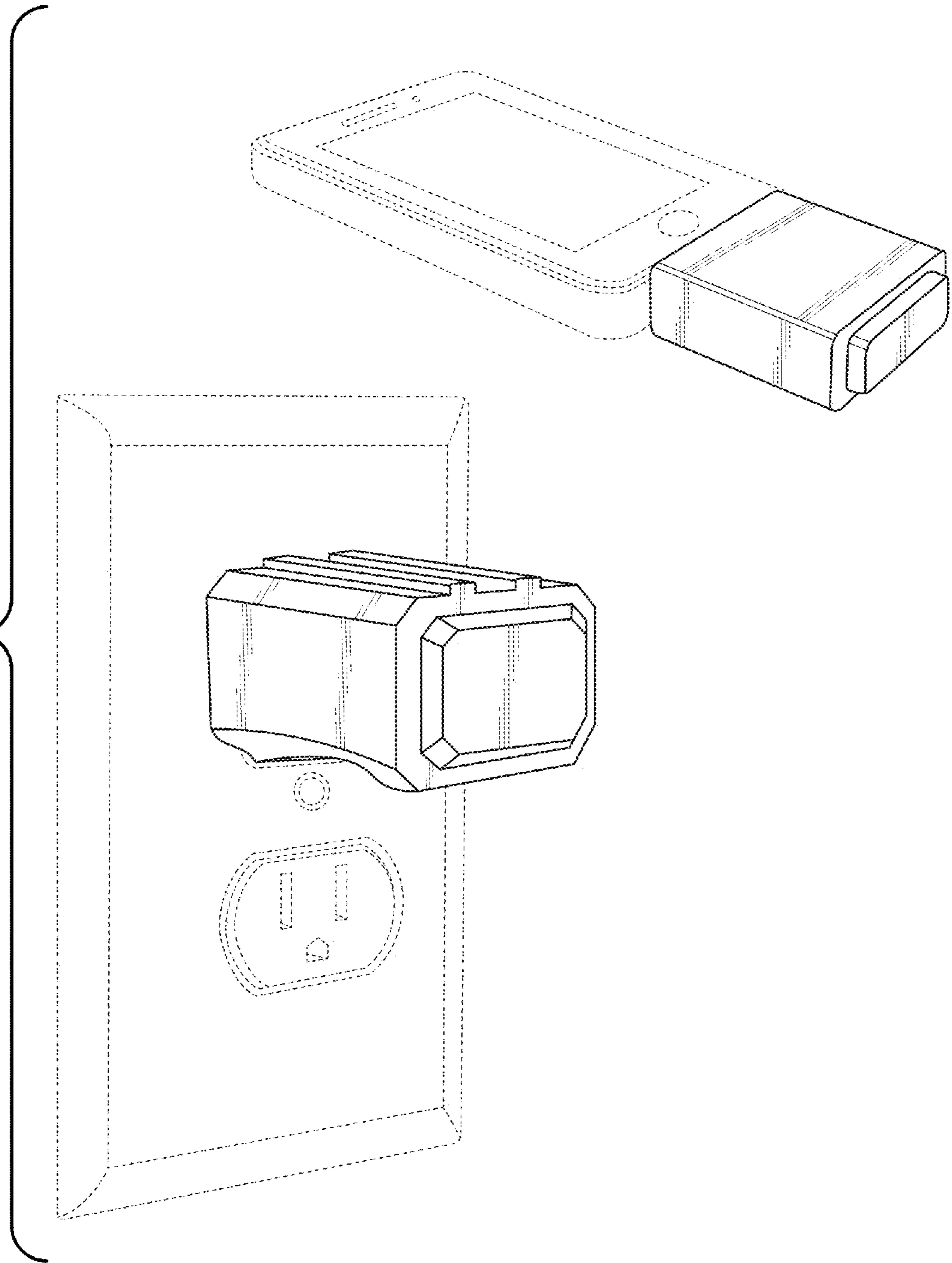
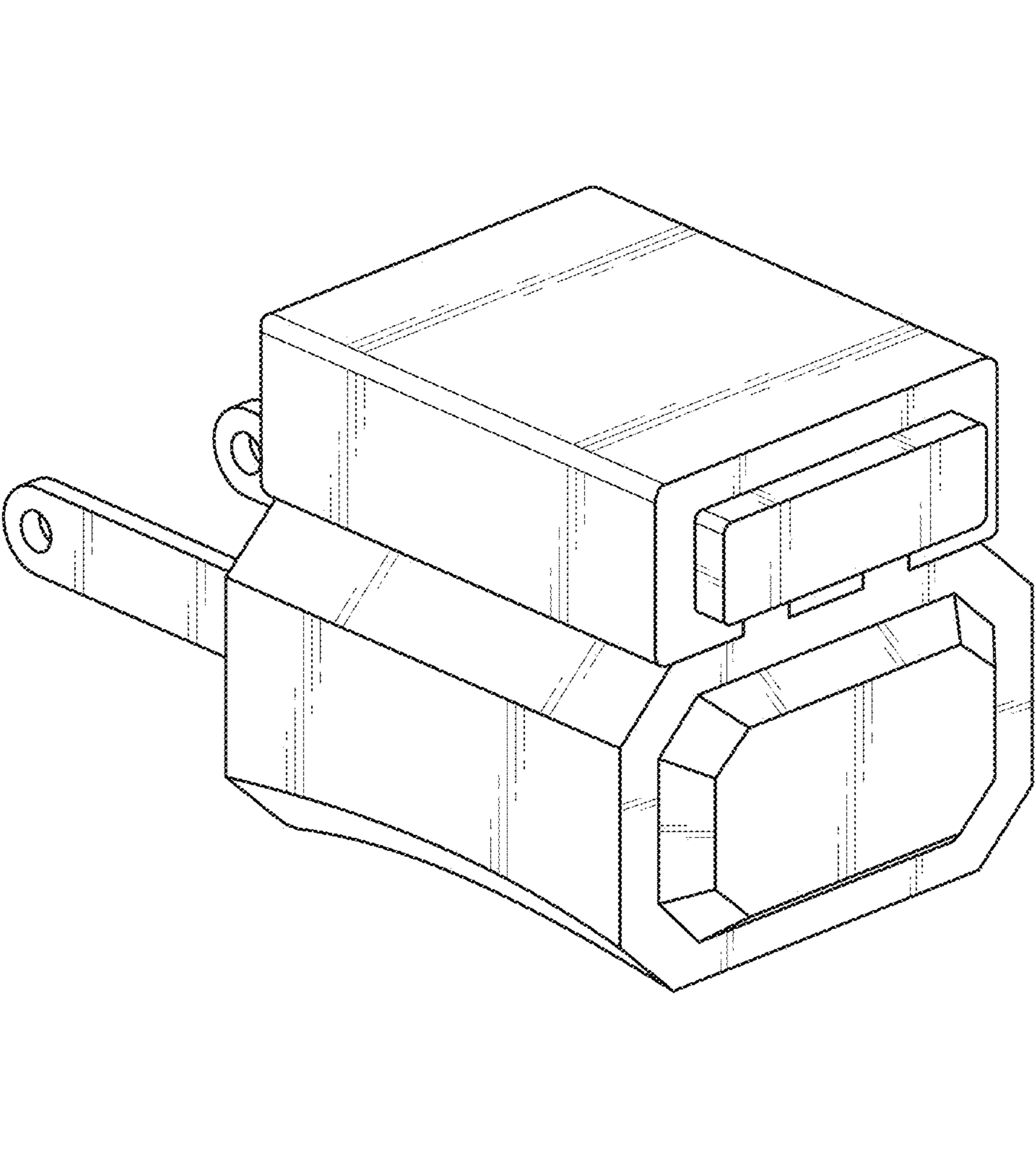


FIG. 2



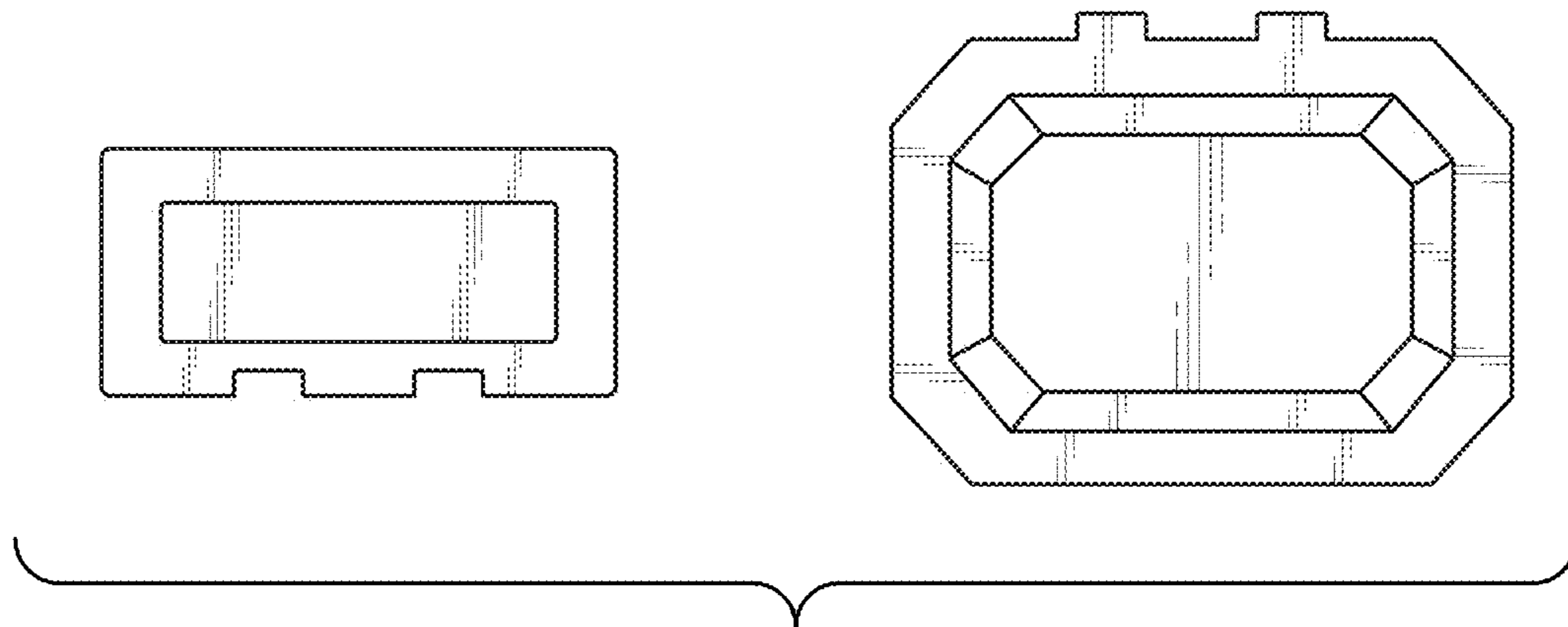


FIG. 3

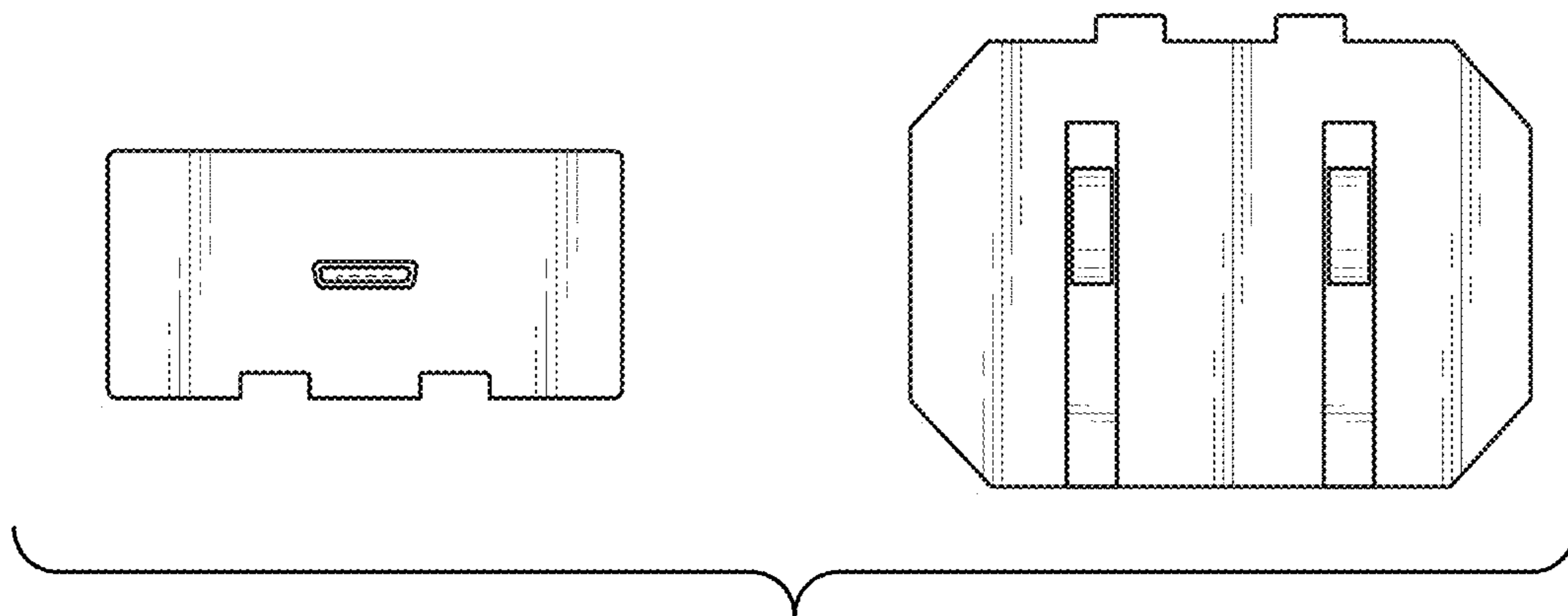


FIG. 4

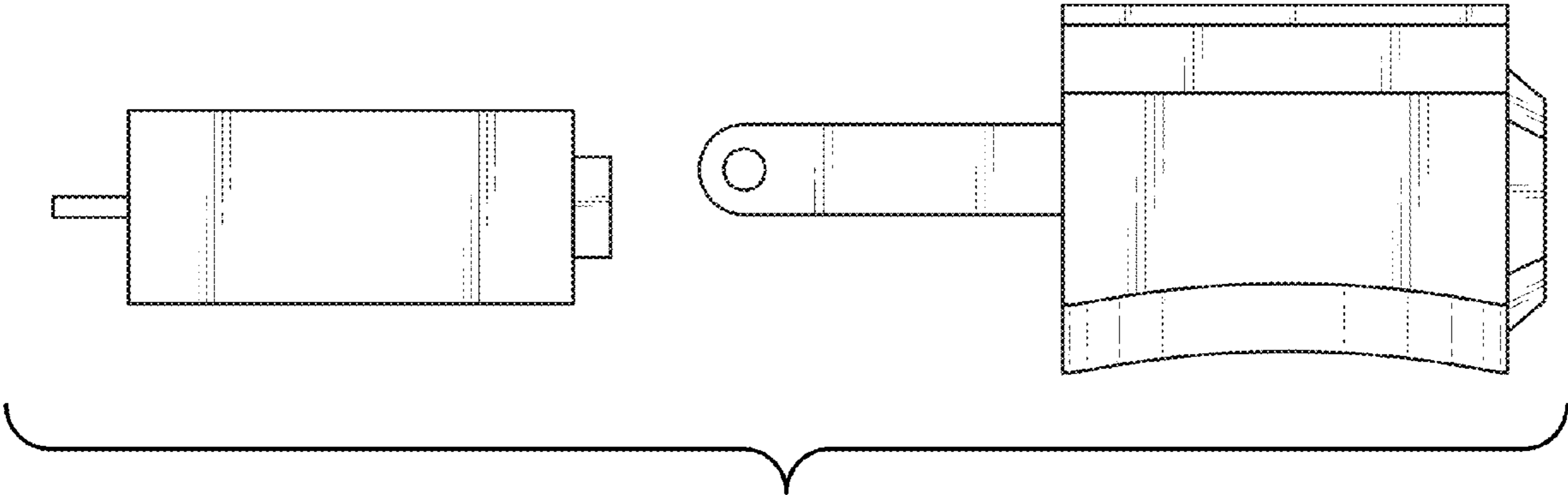


FIG. 5

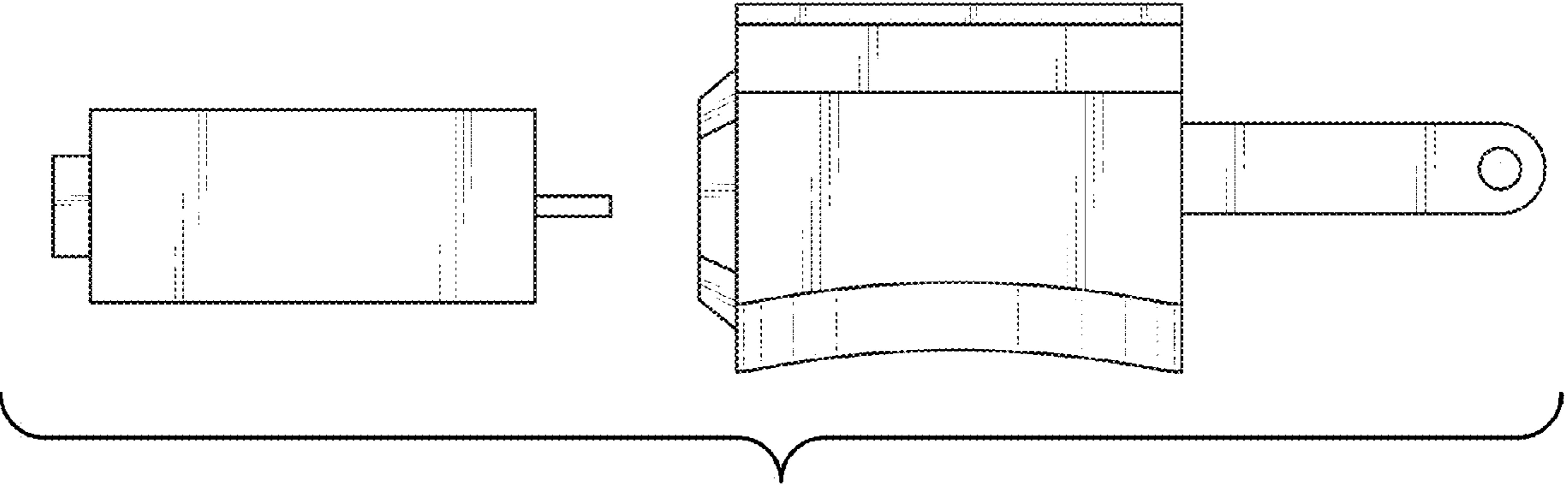


FIG. 6

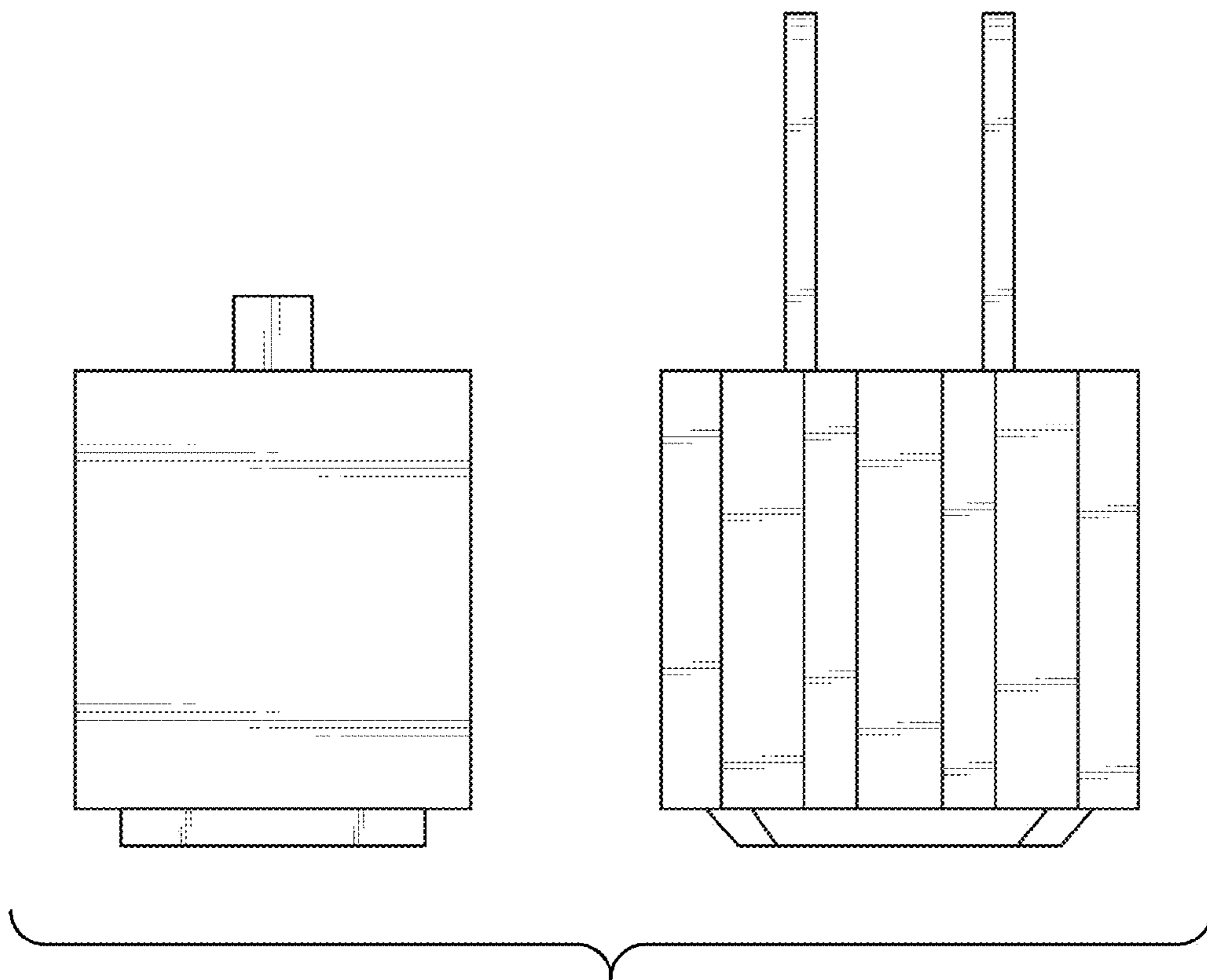


FIG. 7

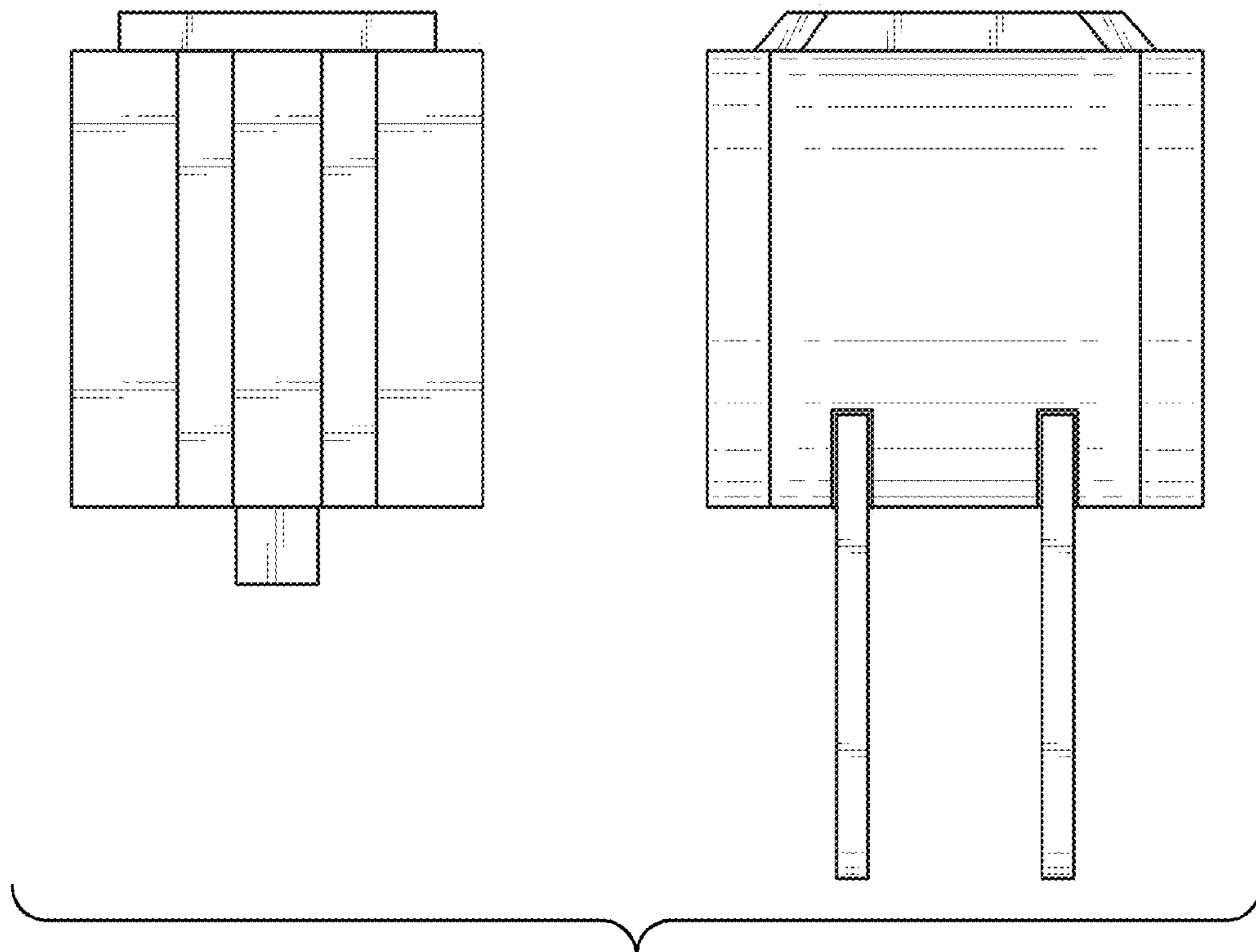


FIG. 8