



US00D964921S

(12) **United States Design Patent** (10) **Patent No.:** **US D964,921 S**
Yin (45) **Date of Patent:** **** Sep. 27, 2022**

(54) **SOLAR PANEL CHARGER**

(71) Applicant: **Chao Yin**, Jiangxi (CN)

(72) Inventor: **Chao Yin**, Jiangxi (CN)

(**) Term: **15 Years**

(21) Appl. No.: **29/798,694**

(22) Filed: **Jul. 9, 2021**

(51) **LOC (13) Cl.** **13-02**

(52) **U.S. Cl.**
USPC **D13/102**

(58) **Field of Classification Search**
USPC D13/102, 101, 103, 107, 108, 110, 118,
D13/184, 199

CPC H01L 31/00; H01L 31/18; H01L 31/042;
H01L 31/045; H01L 31/048; H01L
31/052; H01L 31/054; H01L 31/0475;
H01L 31/0485; H01M 10/052; H01M
10/465; H02S 30/10; H02S 30/20; H02S
10/40; H02S 40/42; Y02E 10/50; Y02E
10/52; Y10S 136/291; Y10S 136/293;
H02J 7/355; G06F 1/1628; F21S 8/006;
F21V 21/06; F21V 21/12

See application file for complete search history.

(56) **References Cited**

U.S. PATENT DOCUMENTS

D380,191 S *	6/1997	White	D13/102
D391,921 S *	3/1998	Zimmer	D13/102
D505,113 S *	5/2005	Lam	D13/107
D671,886 S *	12/2012	Schacht	D13/102
D710,298 S *	8/2014	Jie	D13/102
D721,644 S *	1/2015	Shimada	D13/102
D745,845 S *	12/2015	Anderson	D13/102
D793,334 S *	8/2017	Estes	D13/102

OTHER PUBLICATIONS

https://www.amazon.com/REOLINK-Designed-Rechargeable-Waterproof-Long-Stop/dp/B07WL7FZR4/ref=pd_lpo_1?pd_rd_i=B07WL7FZR4&psc=1 Aug. 5, 2019 (Year: 2019).*
https://www.youtube.com/watch?v=6EB-JE-XI_E Stop Trespassers and Thieves! How to build solar security camera pods that work anywhere! May 18, 2021 (Year: 2021).*

* cited by examiner

Primary Examiner — Derrick E Holland

(74) *Attorney, Agent, or Firm* — ScienBiziP, P.C.

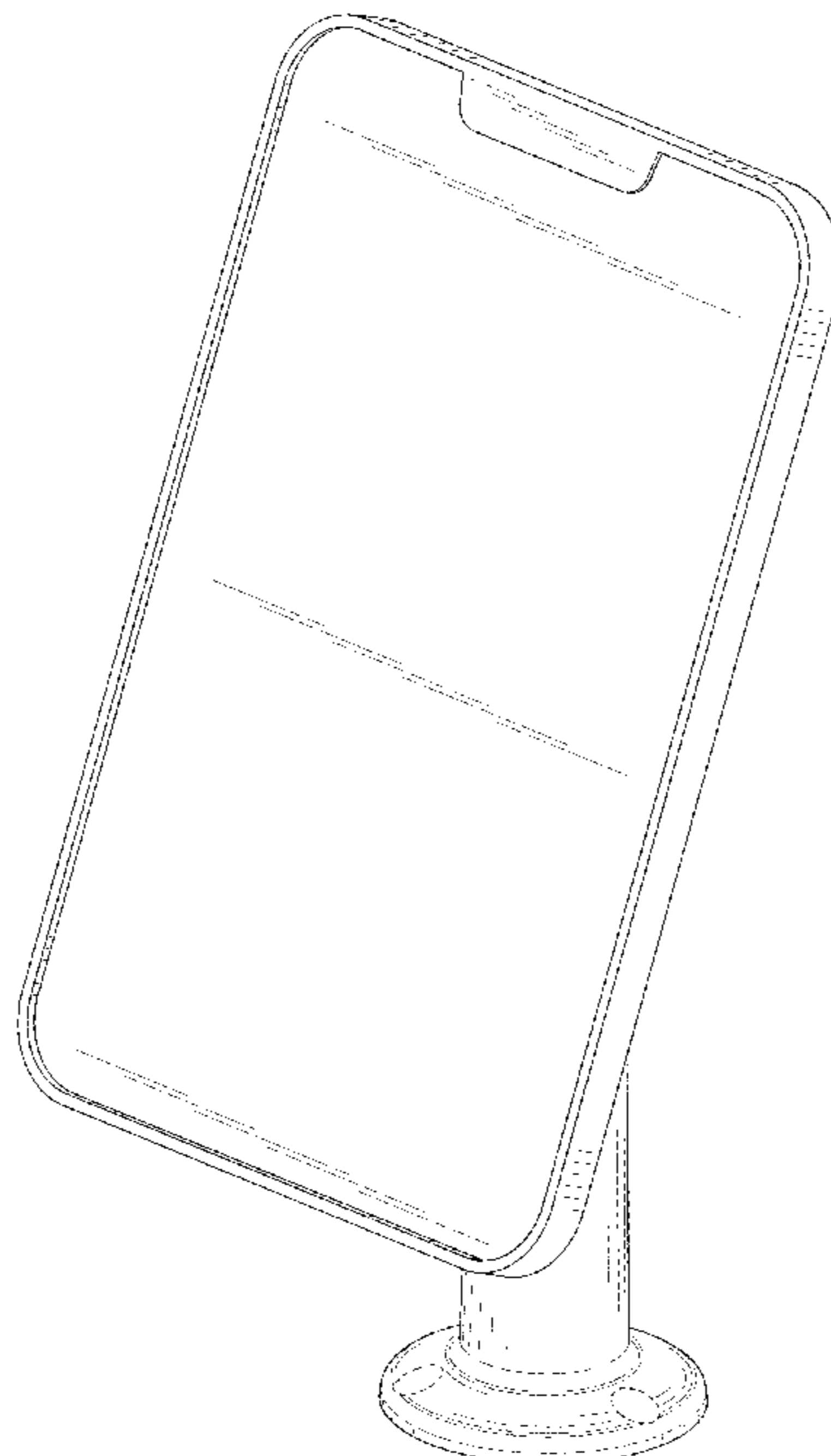
(57) **CLAIM**

The ornamental design for a solar panel charger, as shown and described.

DESCRIPTION

FIG. 1 is a front, right, and top perspective view of a solar panel charger, showing my design.
FIG. 2 is a rear, left, and bottom perspective view thereof.
FIG. 3 is a front elevation view thereof.
FIG. 4 is a rear elevation view thereof.
FIG. 5 is a left side elevation view thereof.
FIG. 6 is a right side elevation view thereof.
FIG. 7 is a top plan view thereof.
FIG. 8 is a bottom plan view thereof.
FIG. 9 is a partial enlarged view of an area labeled 9 in FIG. 2 comprising a link section; and,
FIG. 10 is a partial enlarged view of an area labeled 10 in FIG. 2 comprising a bottom part.
The broken lines shown in the drawings are included for the purpose of illustrating portions of the solar panel charger that form no part of the claimed design.

1 Claim, 10 Drawing Sheets



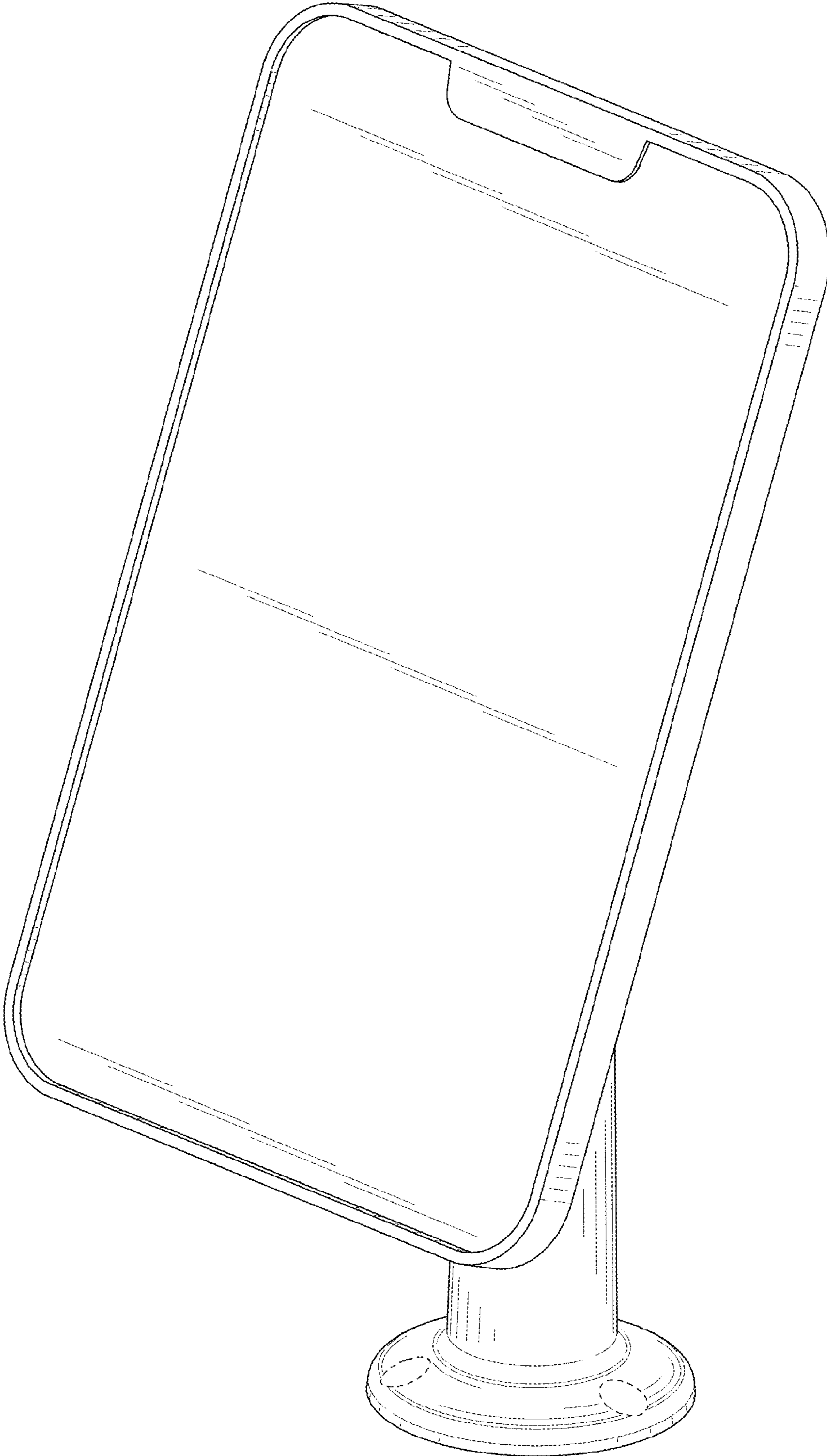


FIG. 1

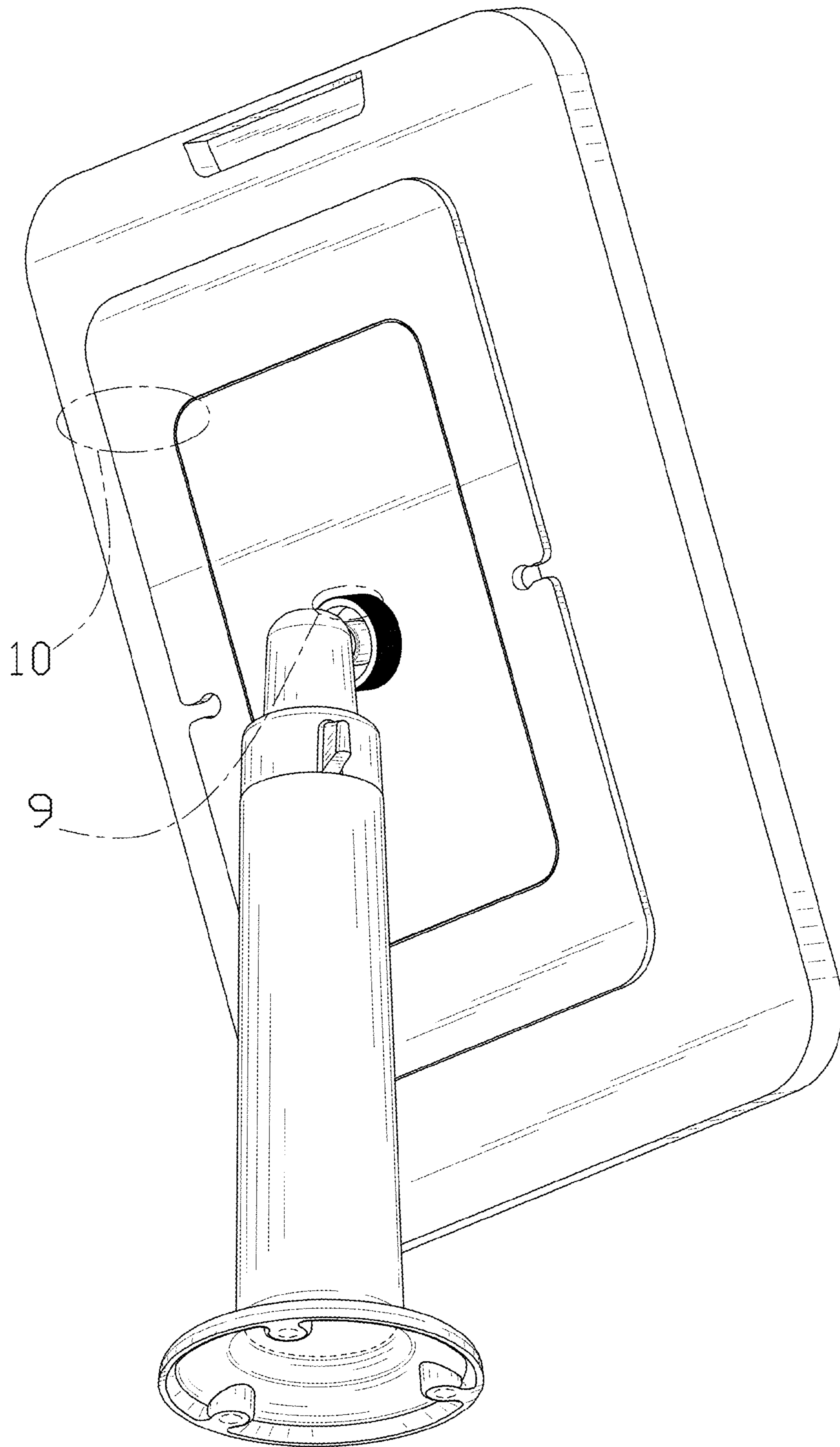


FIG. 2



FIG. 3

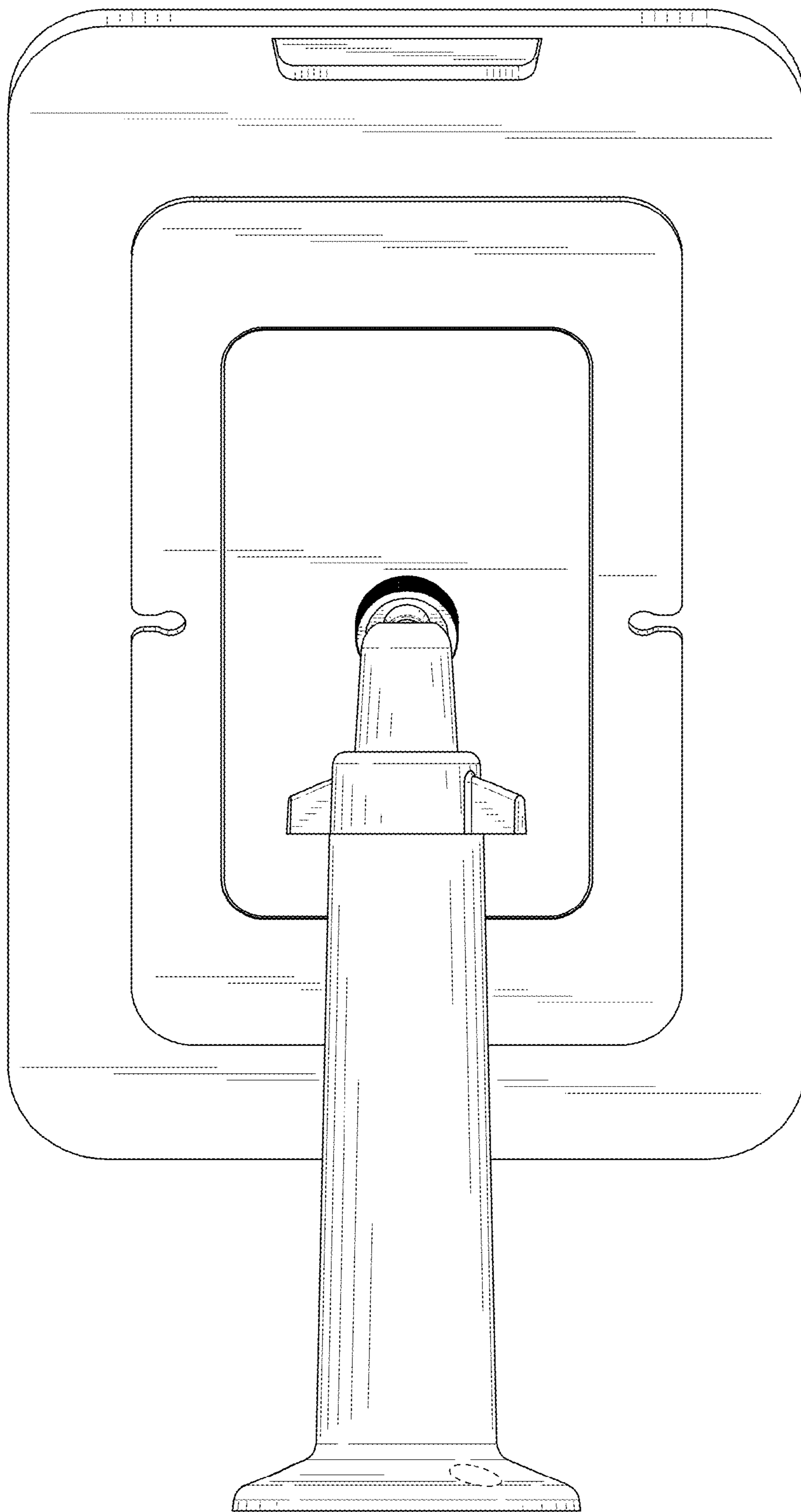


FIG. 4

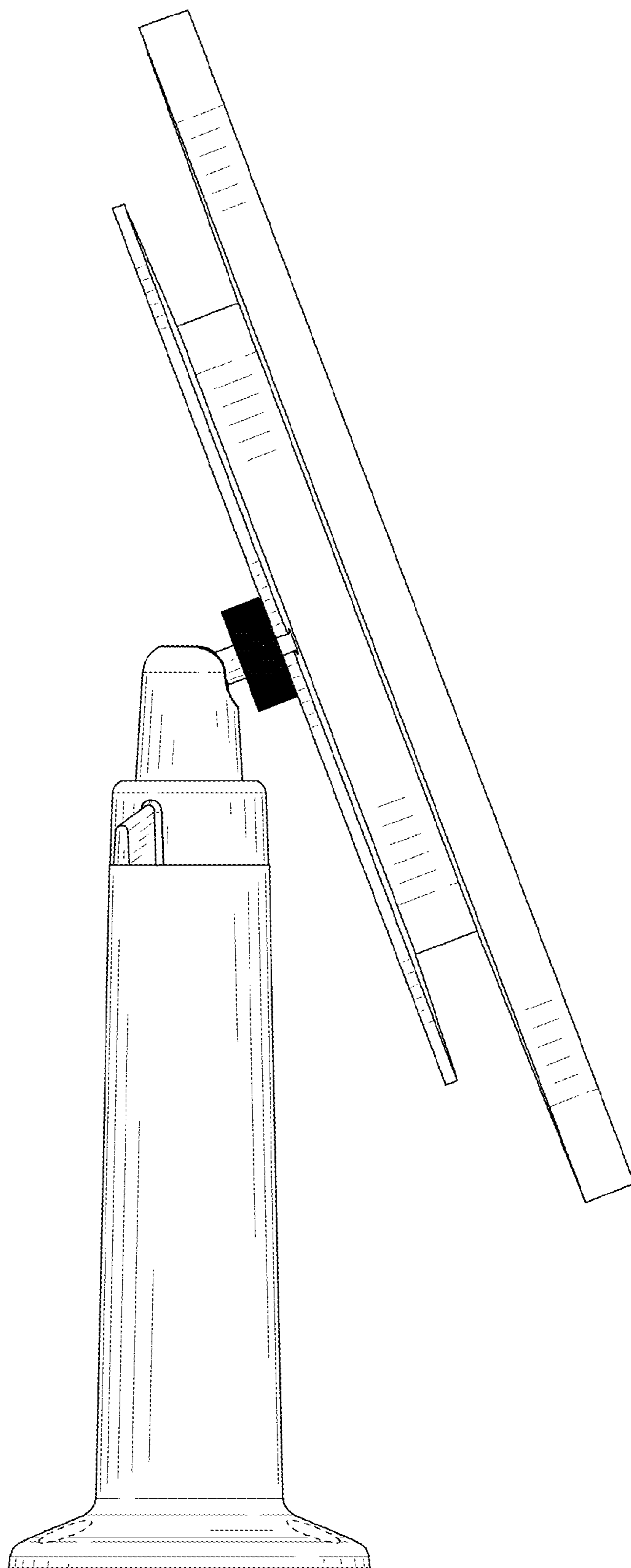


FIG. 5

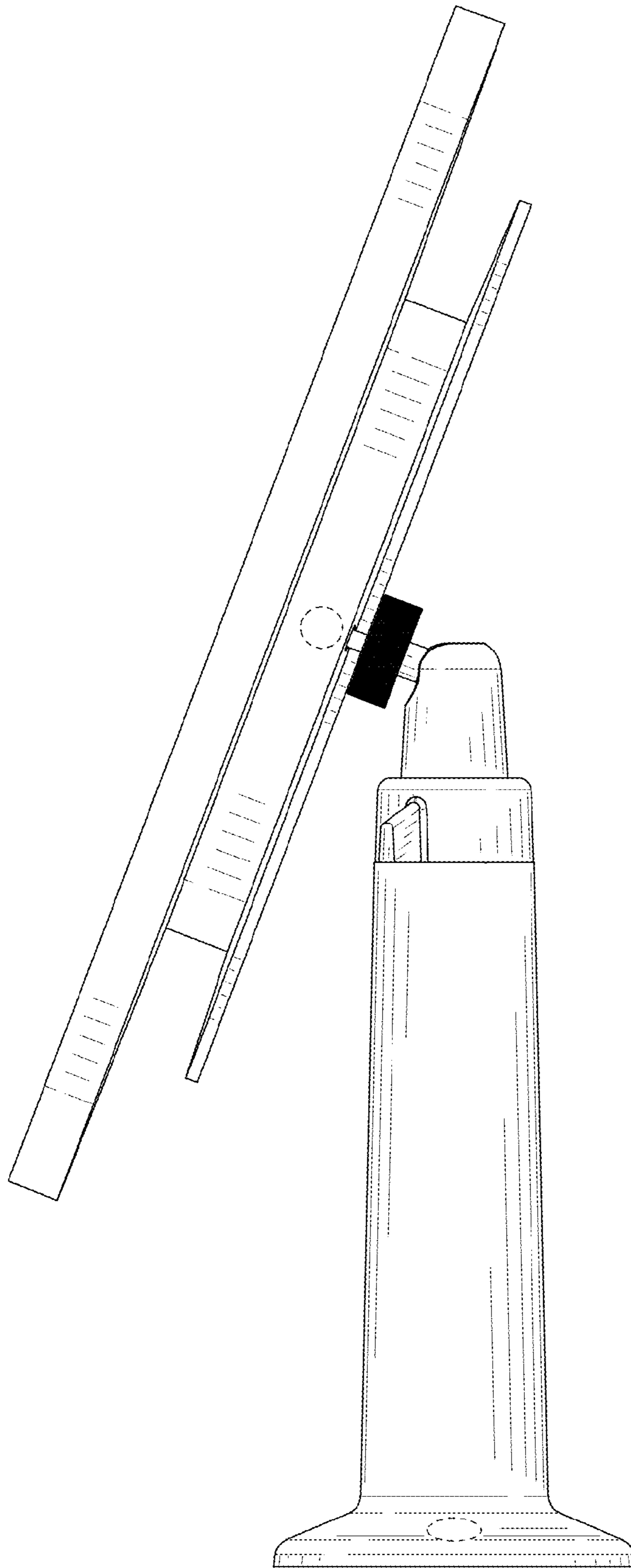


FIG. 6

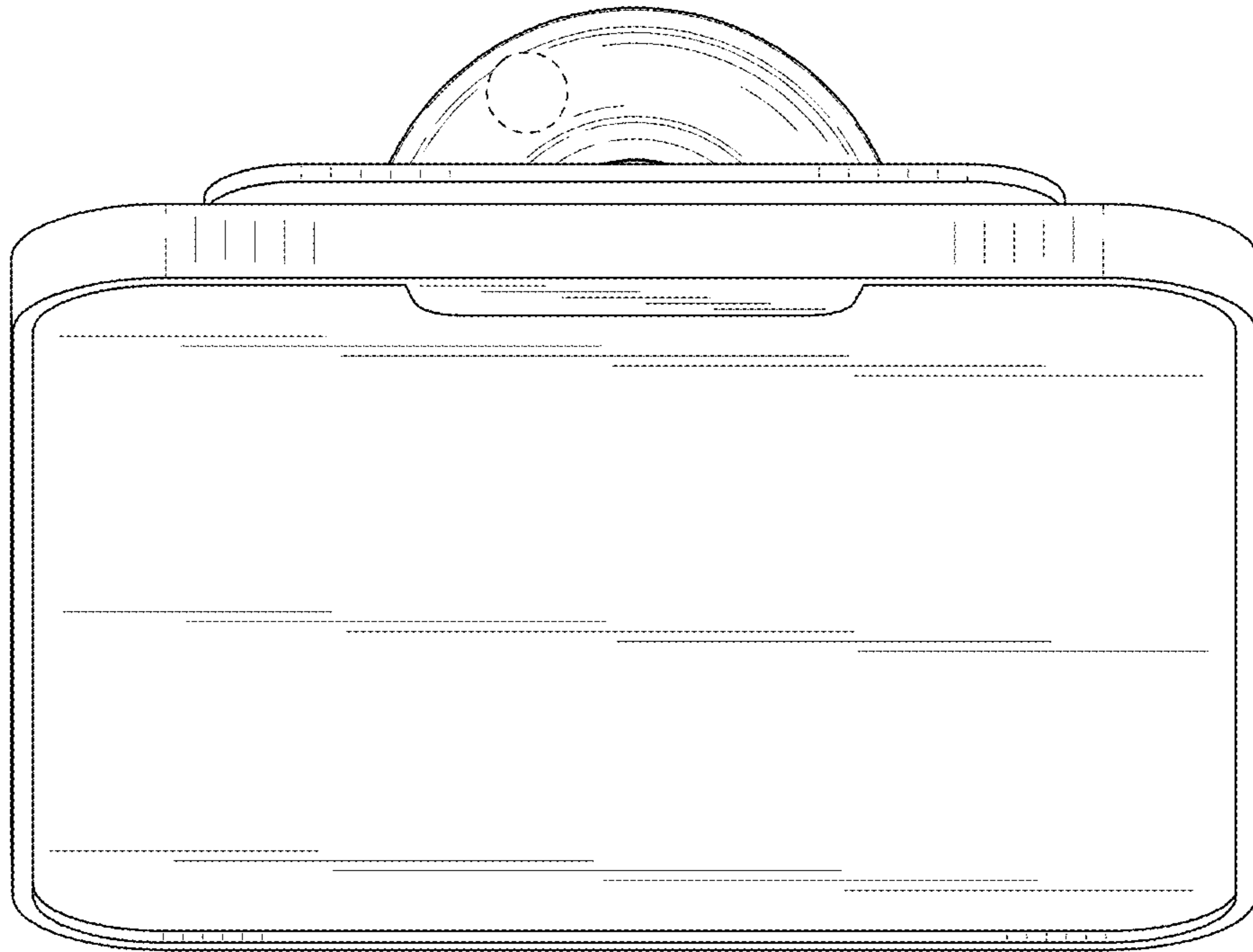


FIG. 7

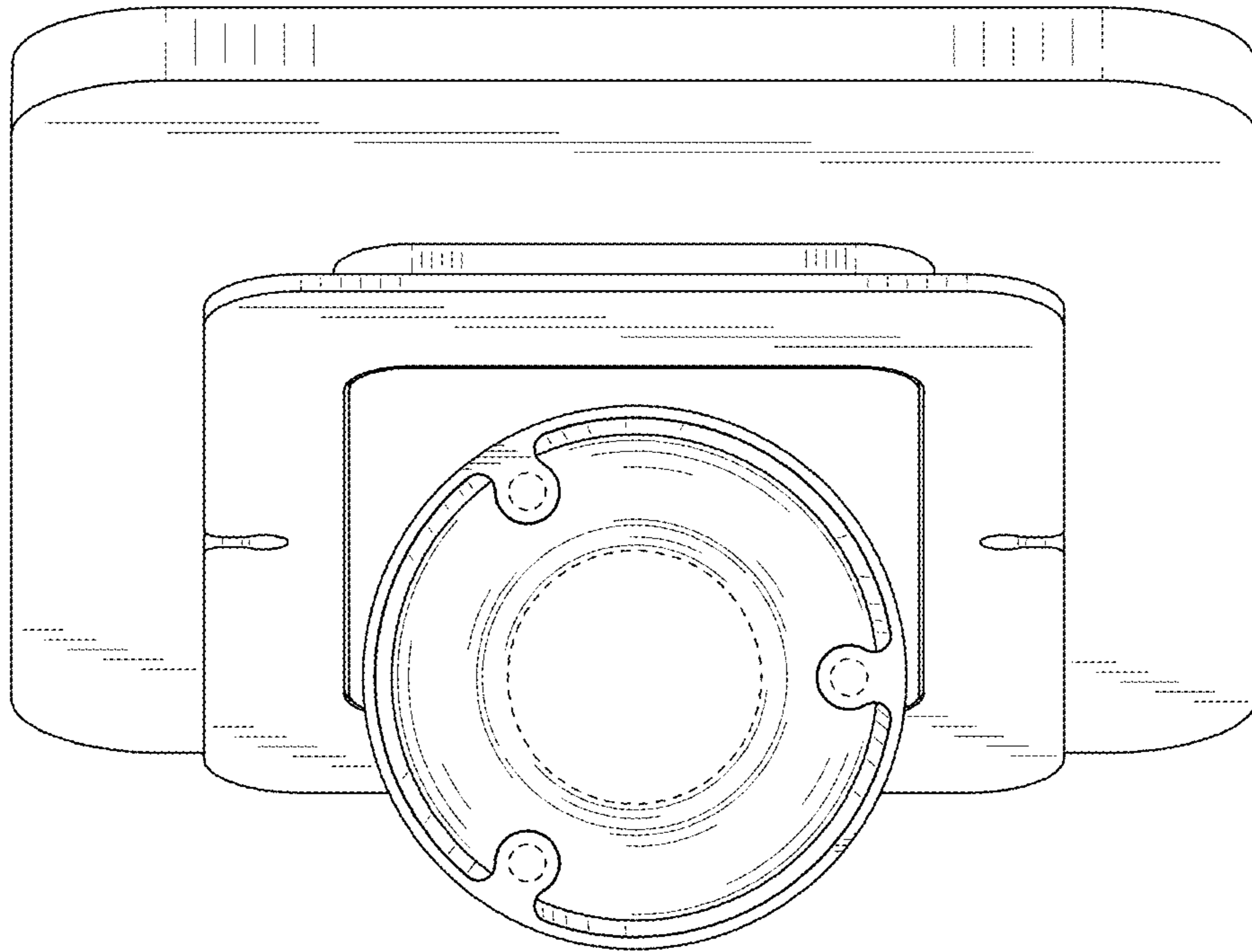


FIG. 8

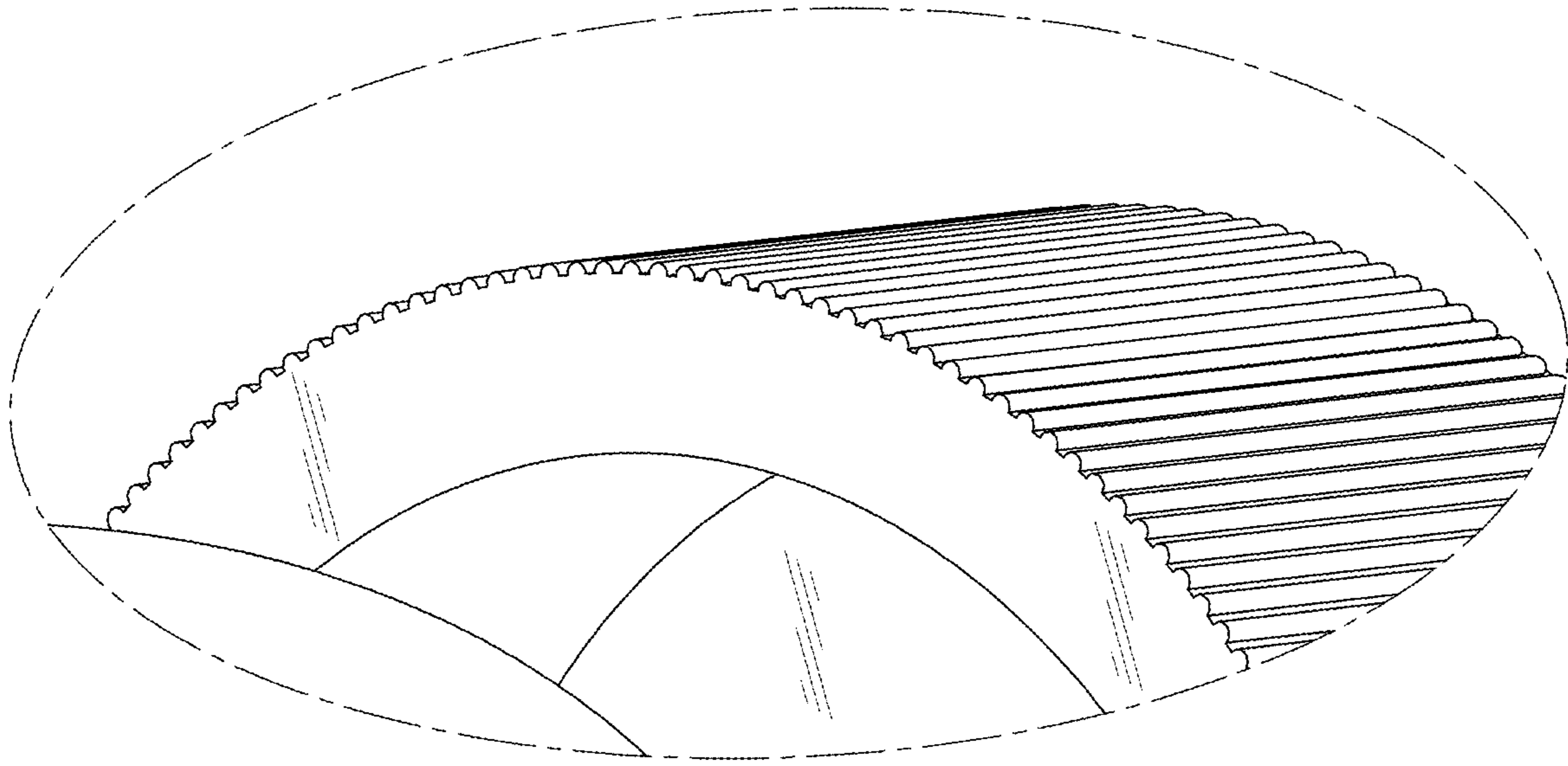


FIG. 9

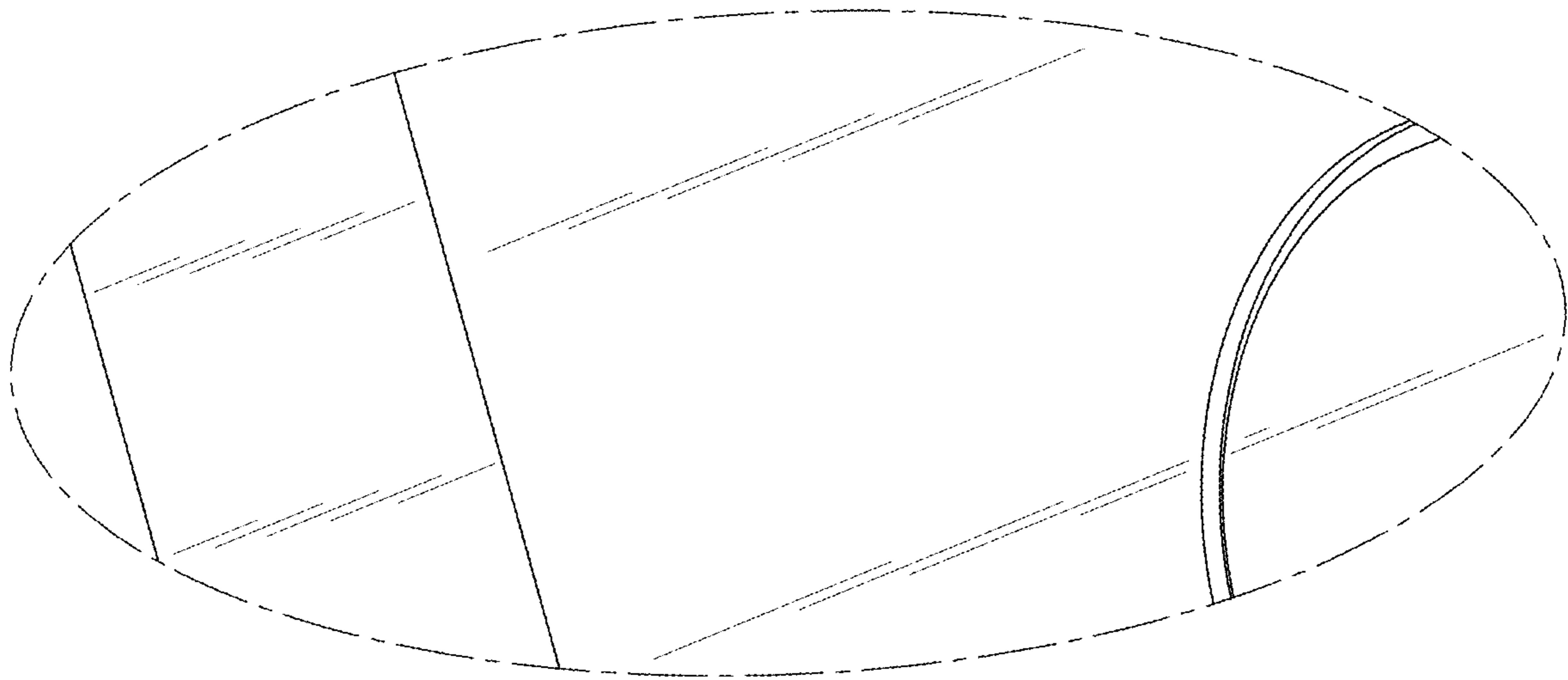


FIG. 10