

US00D964914S

(12) **United States Design Patent**
Wei

(10) **Patent No.:** **US D964,914 S**
(45) **Date of Patent:** **** Sep. 27, 2022**

- (54) **TRAY**
- (71) Applicant: **Guangzhou ZhiGong Trading Co., Ltd.**, Guangzhou (CN)
- (72) Inventor: **Zhiyou Wei**, Meizhou (CN)
- (73) Assignee: **Guangzhou ZhiGong Trading Co., Ltd.**, Guangzhou (CN)
- (**) Term: **15 Years**
- (21) Appl. No.: **29/821,638**
- (22) Filed: **Dec. 31, 2021**
- (51) **LOC (13) Cl.** **12-16**
- (52) **U.S. Cl.**
USPC **D12/425**
- (58) **Field of Classification Search**
USPC D12/425, 400, 406, 415-420, 424, 426
CPC B63B 25/00; B63B 7/085; B63B 35/00;
B63B 17/00; B60R 16/04
See application file for complete search history.

D916,647 S *	4/2021	Chen	D12/425
D922,935 S *	6/2021	Guo	D12/425
D935,381 S *	11/2021	Chen	D12/425
D940,057 S *	1/2022	Guo	D12/425
D942,366 S *	2/2022	Liang	D12/425
D943,496 S *	2/2022	Brumby	D12/425
D946,493 S *	3/2022	Huang	D12/425
D949,773 S *	4/2022	Huang	D12/425
D950,476 S *	5/2022	Gan	D12/425
D953,967 S *	6/2022	Liu	D12/425

* cited by examiner

Primary Examiner — Katrina A Betton
(74) *Attorney, Agent, or Firm* — True Shepherd LLC;
Andrew C. Cheng

(57) **CLAIM**

The ornamental design for a tray, as shown and described.

DESCRIPTION

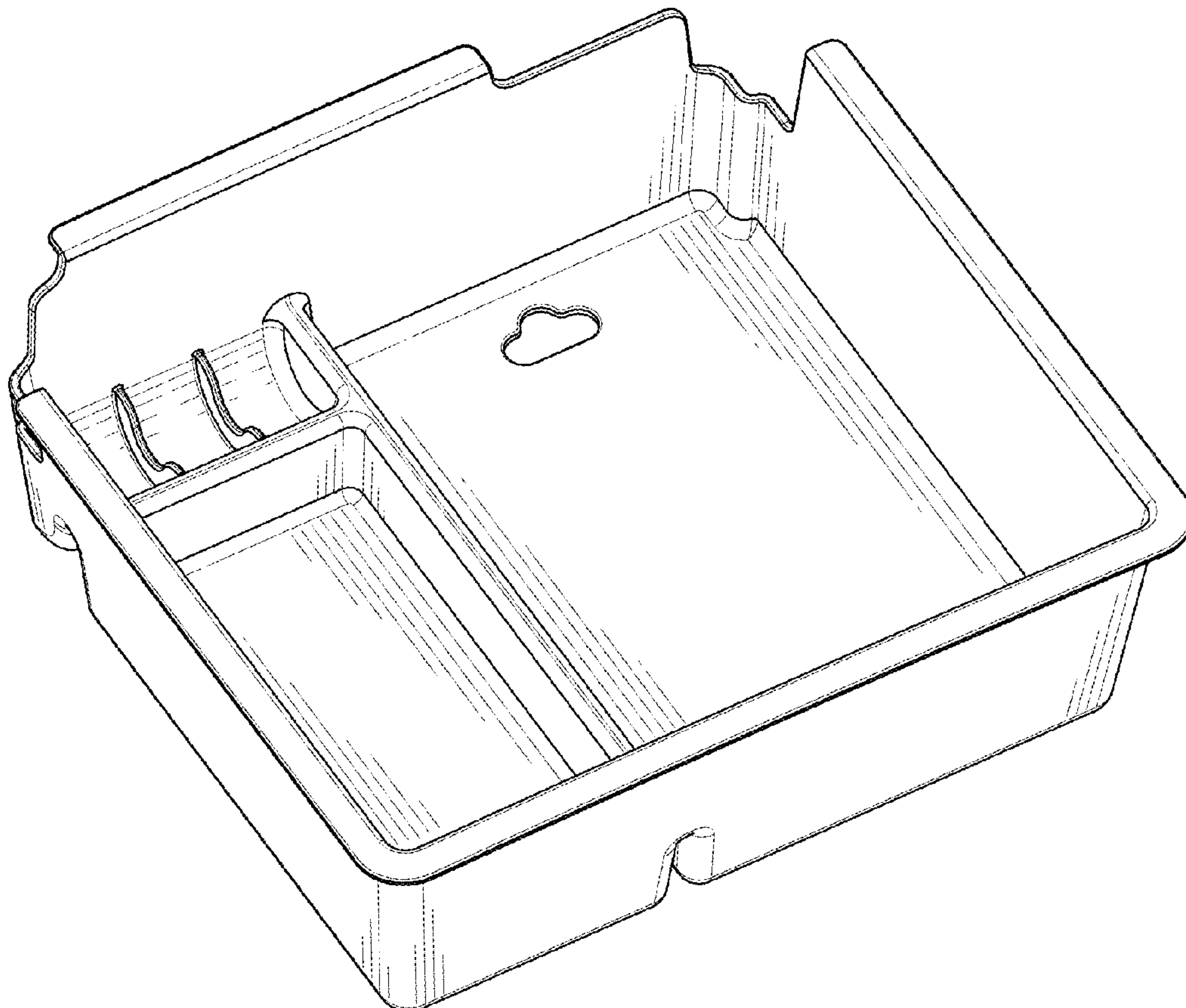
FIG. 1 is a perspective view of a tray for vehicle on board controller showing my new design;
FIG. 2 is another perspective view thereof;
FIG. 3 is a front view thereof;
FIG. 4 is a rear view thereof;
FIG. 5 is a left side view thereof;
FIG. 6 is a right side view thereof;
FIG. 7 is a top plan view thereof; and,
FIG. 8 is a bottom plan view thereof.

1 Claim, 8 Drawing Sheets

(56) **References Cited**

U.S. PATENT DOCUMENTS

D496,494 S *	9/2004	Hood	D21/608
D884,578 S *	5/2020	Guo	D12/425
D912,608 S *	3/2021	Chen	D12/425



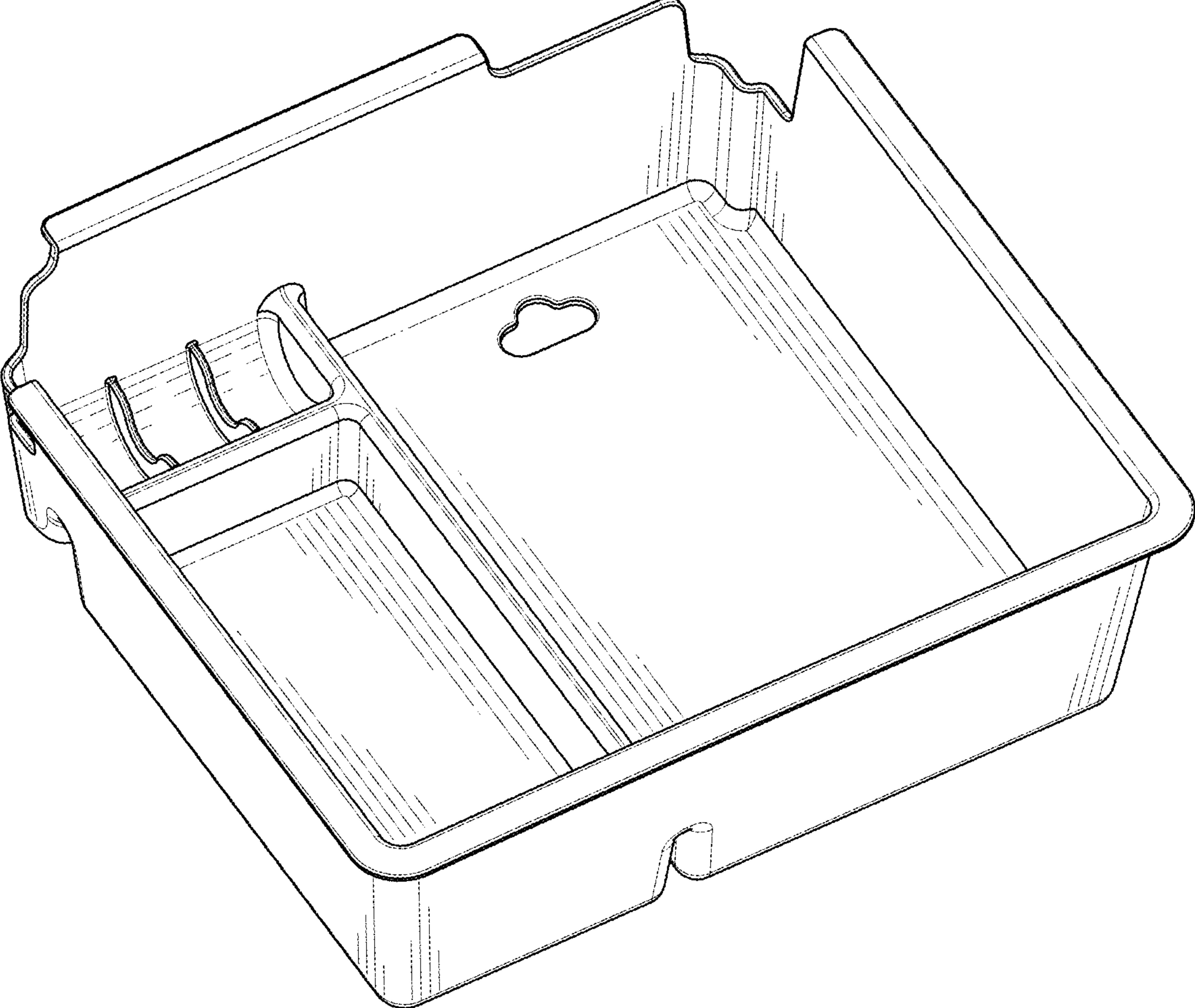


FIG. 1

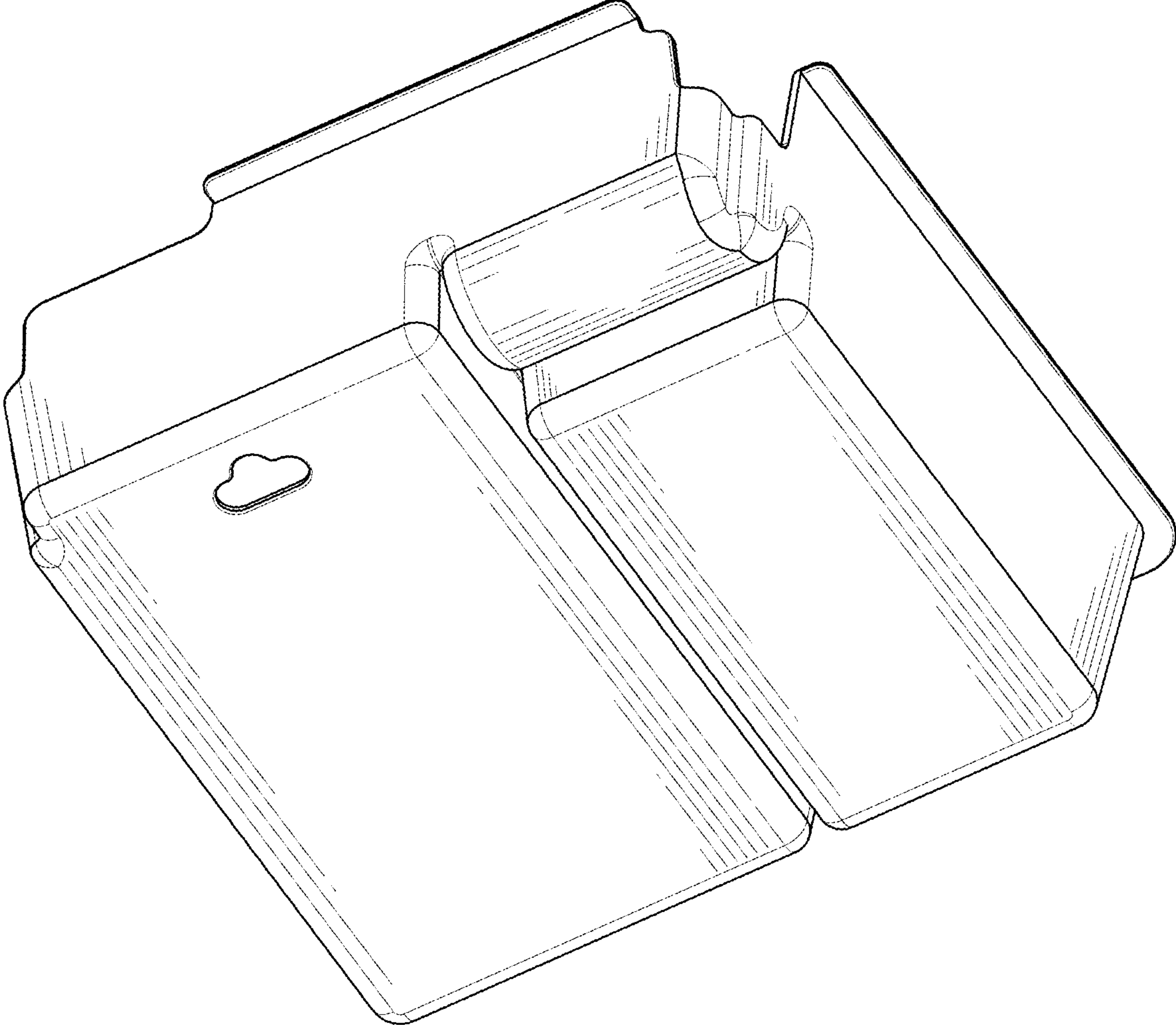


FIG. 2

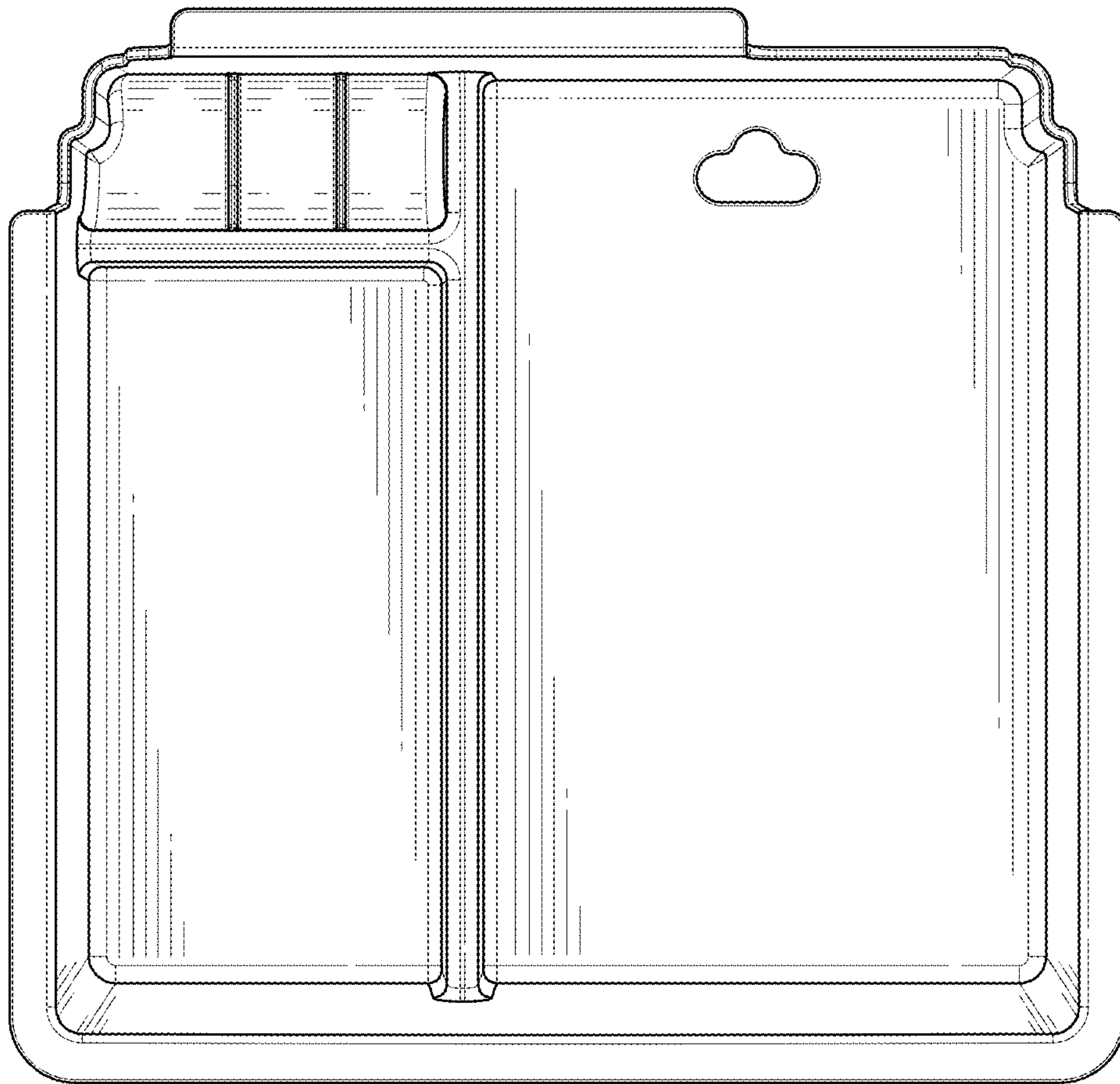


FIG. 3

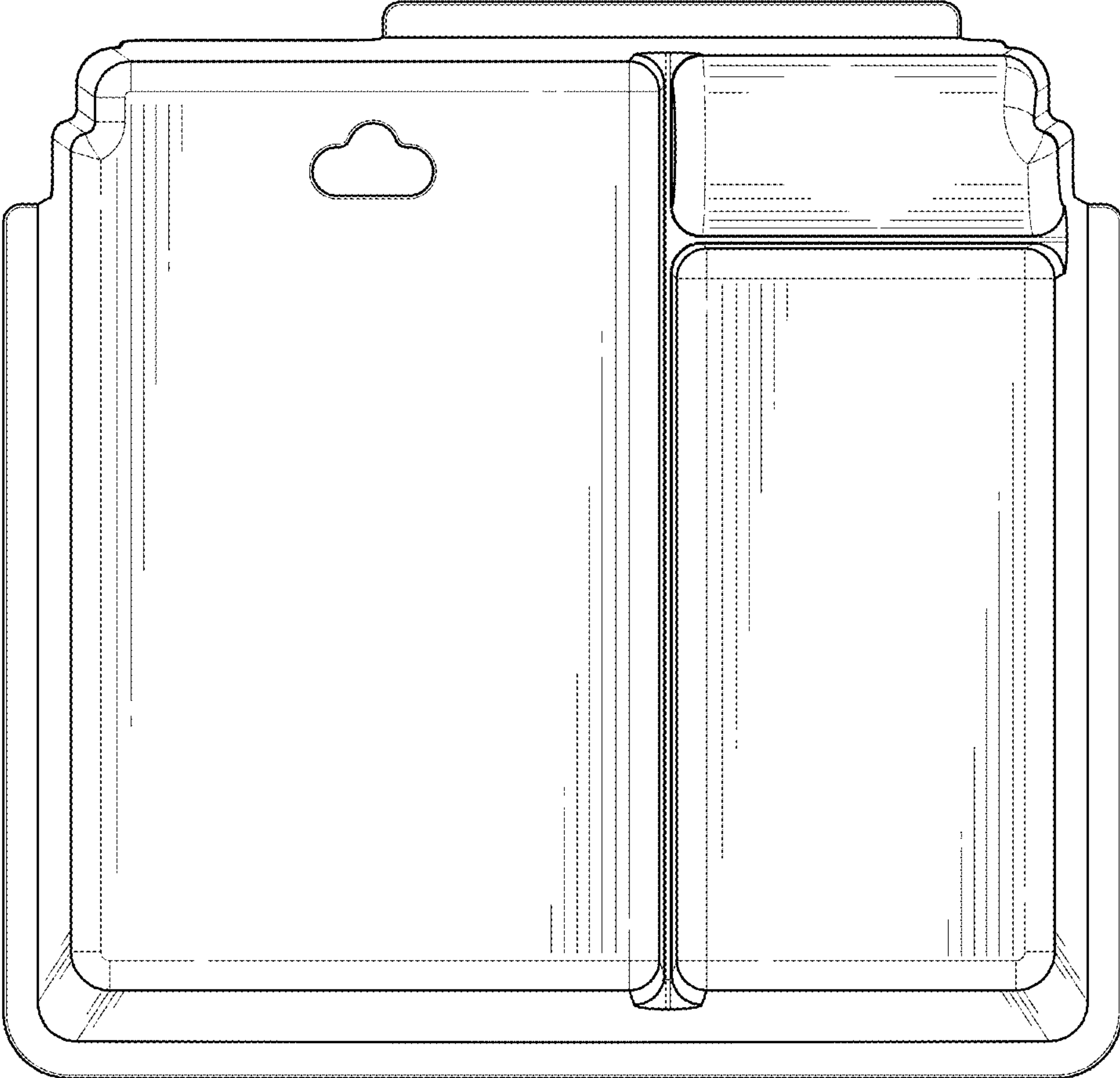


FIG. 4

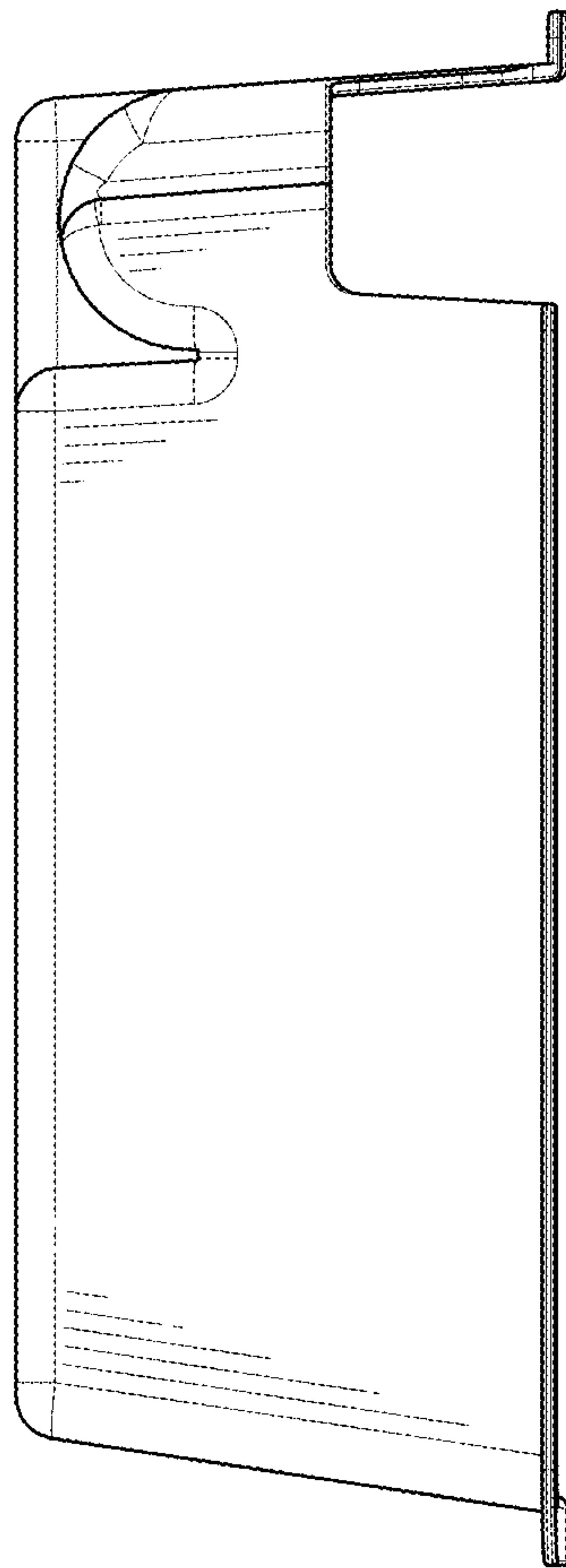


FIG. 5

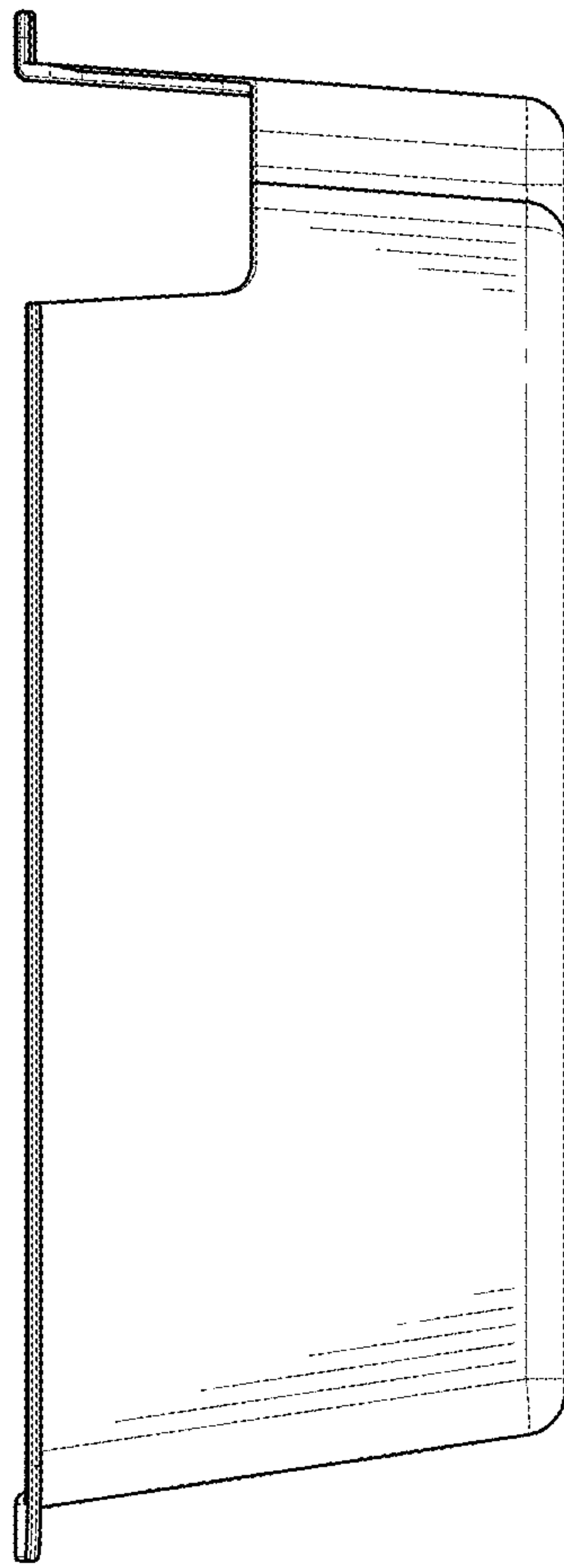


FIG. 6

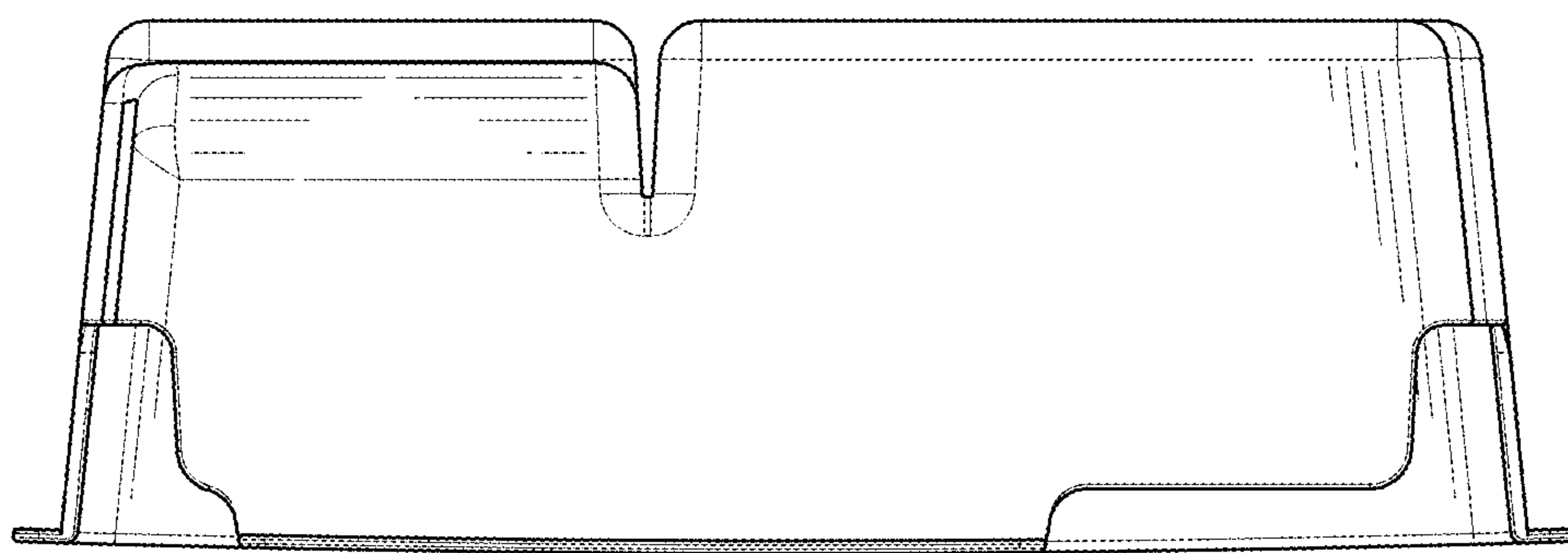


FIG. 7

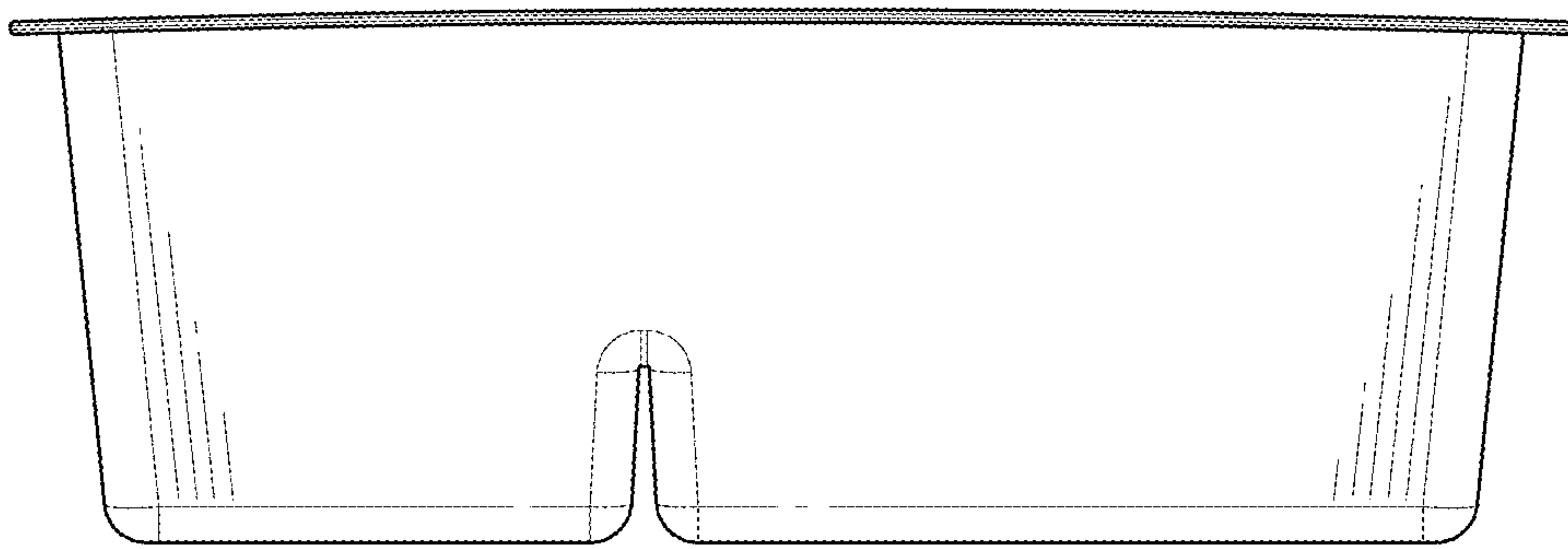


FIG. 8