



US00D964913S

(12) **United States Design Patent**
Yang

(10) **Patent No.:** **US D964,913 S**

(45) **Date of Patent:** **** Sep. 27, 2022**

- (54) **STORAGE BOX FOR CAR**
- (71) Applicant: **Guangzhou Jiaotu Information Technology Co., Ltd., Guangzhou (CN)**
- (72) Inventor: **Taiping Yang, Guangzhou (CN)**
- (**) Term: **15 Years**
- (21) Appl. No.: **29/791,686**
- (22) Filed: **Jan. 28, 2022**
- (51) **LOC (13) Cl.** **12-16**
- (52) **U.S. Cl.**
USPC **D12/425**
- (58) **Field of Classification Search**
USPC D12/425, 400, 406, 415-420, 424, 426
CPC B63B 25/00; B63B 7/085; B63B 35/00;
B63B 17/00; B60R 16/04
See application file for complete search history.

- D943,496 S * 2/2022 Brumby D12/425
- D946,493 S * 3/2022 Huang D12/425
- D949,773 S * 4/2022 Huang D12/425
- D950,476 S * 5/2022 Gan D12/425
- D953,967 S * 6/2022 Liu D12/425

* cited by examiner

Primary Examiner — Katrina A Betton

(57) **CLAIM**

The ornamental design for a storage box for car, as shown and described.

DESCRIPTION

FIG. 1 is a front and top perspective view of a storage box for car, showing my new design;
 FIG. 2 is a rear and bottom perspective view thereof;
 FIG. 3 is a front elevation view thereof;
 FIG. 4 is a rear elevation view thereof;
 FIG. 5 is a left side elevation view thereof;
 FIG. 6 is a right side elevation view thereof;
 FIG. 7 is a top plan view thereof;
 FIG. 8 is a bottom plan view thereof; and,
 FIG. 9 is an enlarged view of a portion labeled, 'FIG. 9' in FIG. 2.

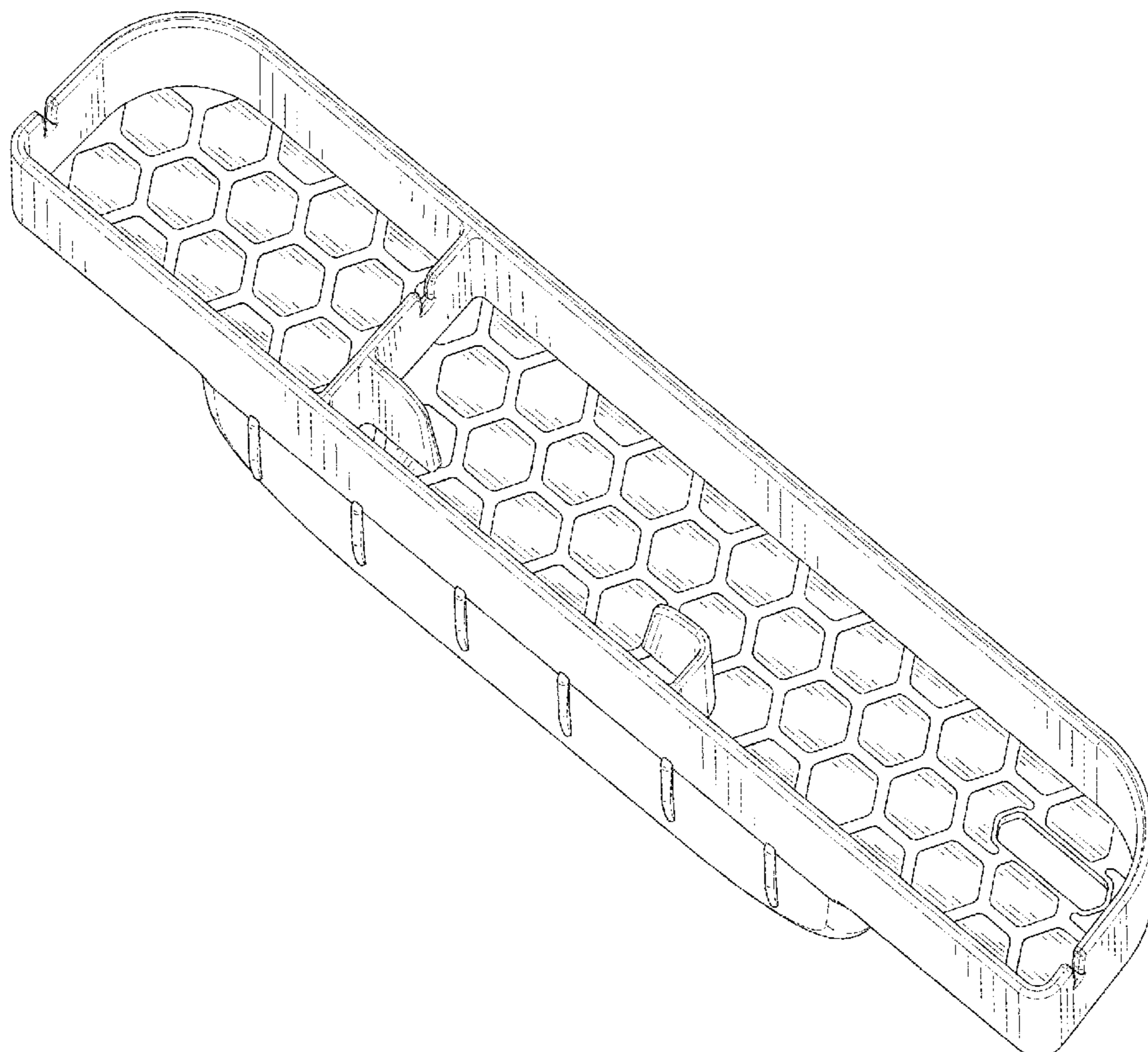
The broken lines in the figures illustrate portions of the storage box for car that form no part of the claimed design. The dash dot dash lines in FIGS. 2 and 9 are for the purpose of depicting the boundary lines of the enlarged view and form no part of the claimed design.

1 Claim, 9 Drawing Sheets

(56) **References Cited**

U.S. PATENT DOCUMENTS

- D496,494 S * 9/2004 Hood D21/608
- D884,578 S * 5/2020 Guo D12/425
- D890,079 S 7/2020 Chen
- D912,608 S * 3/2021 Chen D12/425
- D916,647 S * 4/2021 Chen D12/425
- D922,935 S * 6/2021 Guo D12/425
- D935,381 S * 11/2021 Chen D12/425
- D940,057 S * 1/2022 Guo D12/425
- D942,366 S * 2/2022 Liang D12/425



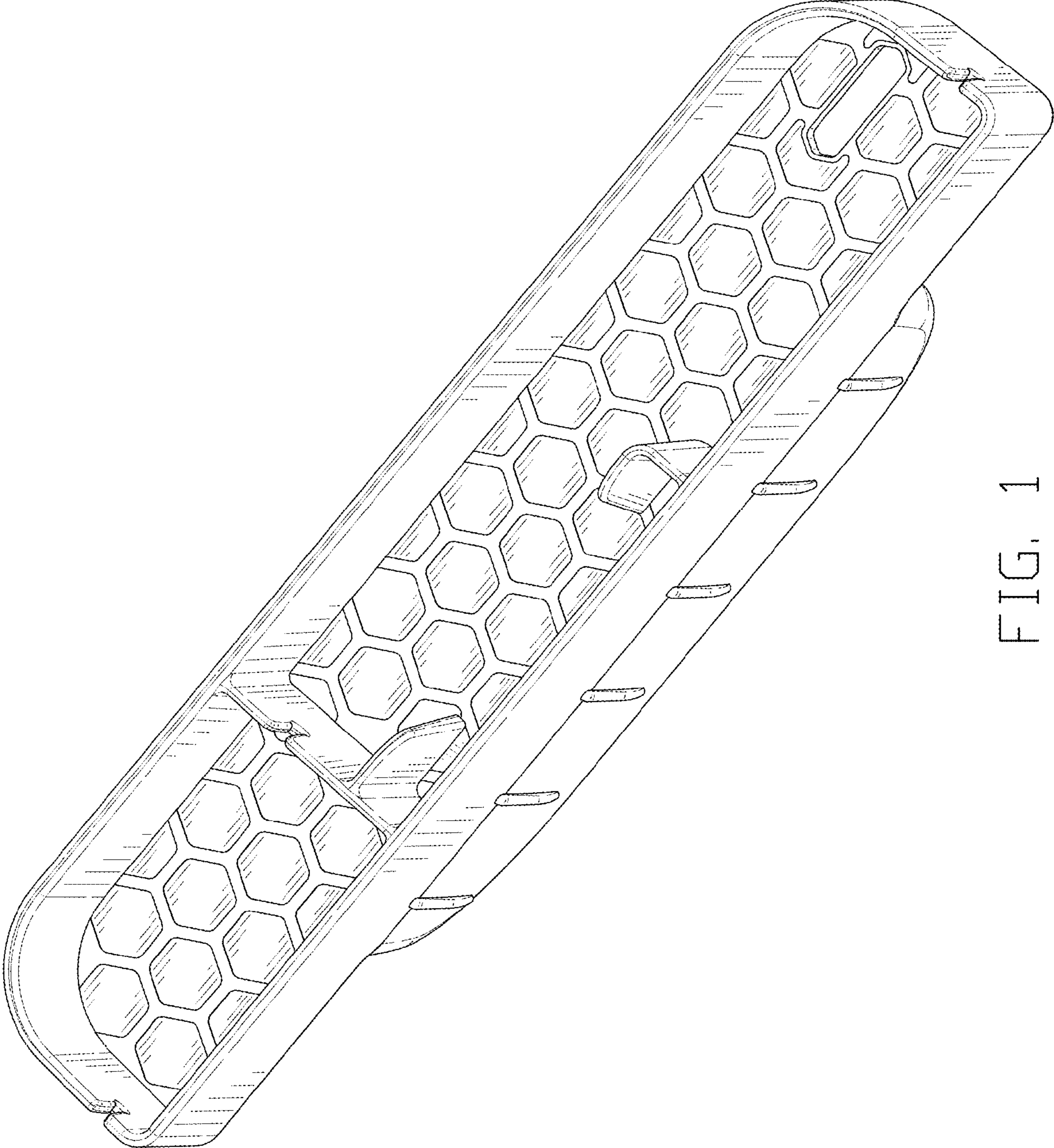


FIG. 1

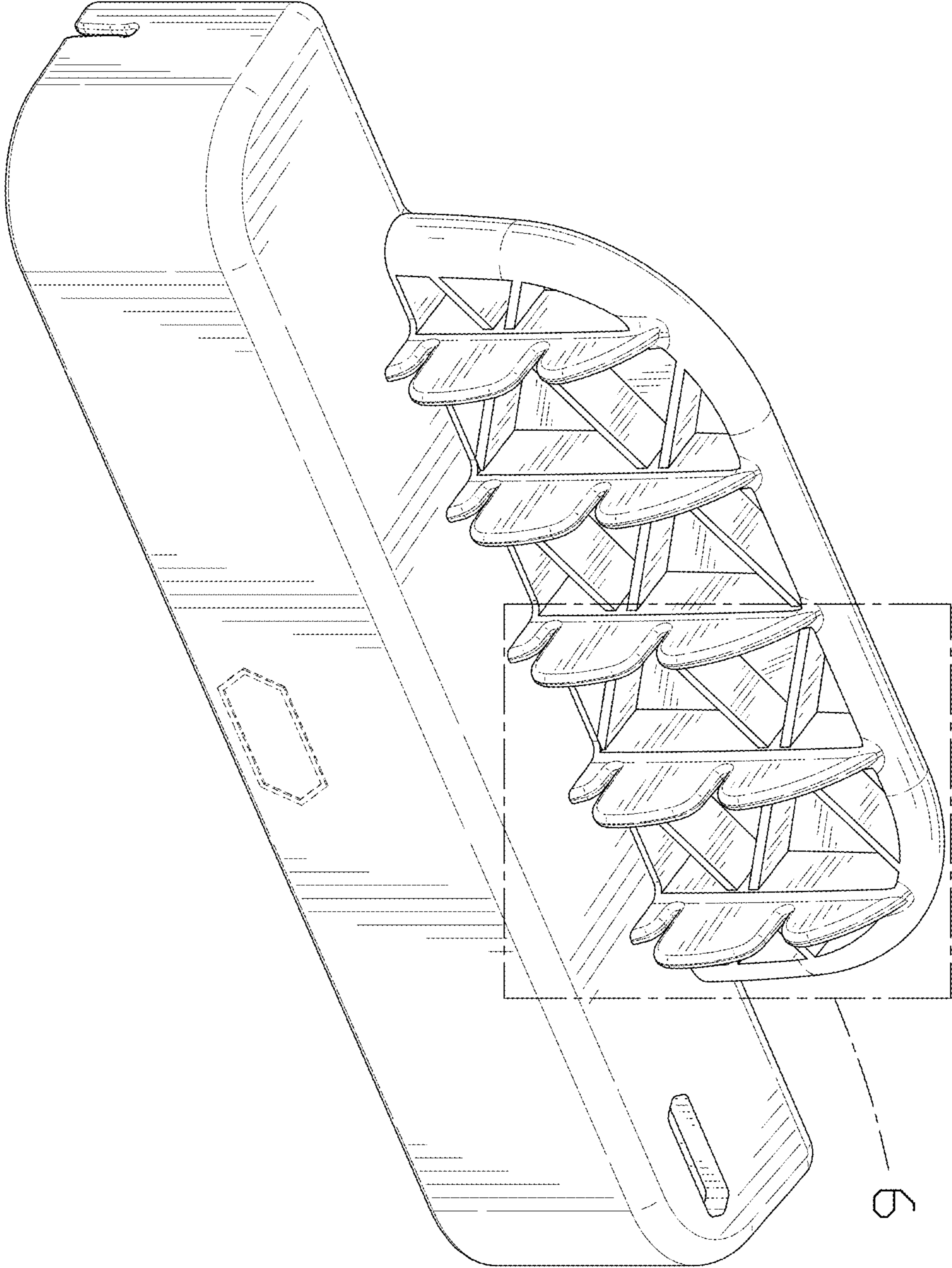


FIG. 9

FIG. 2

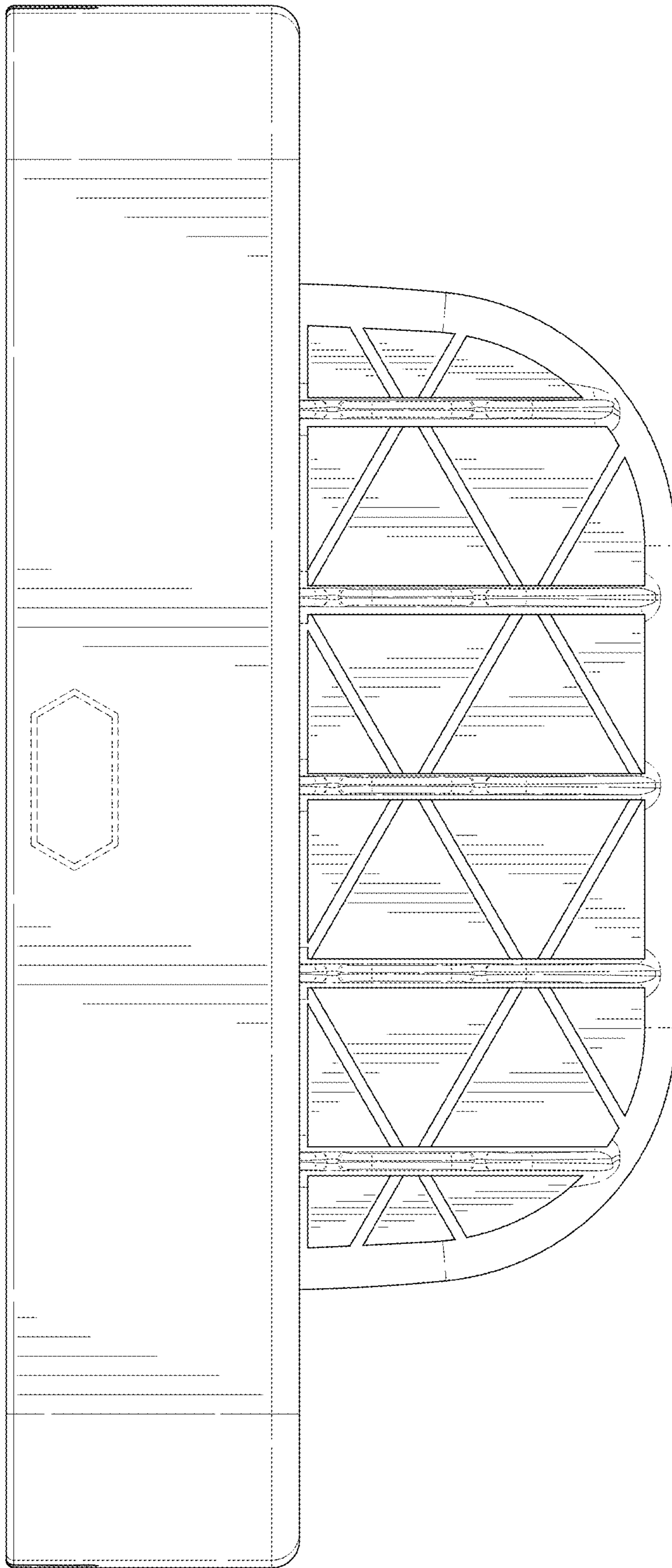


FIG. 3

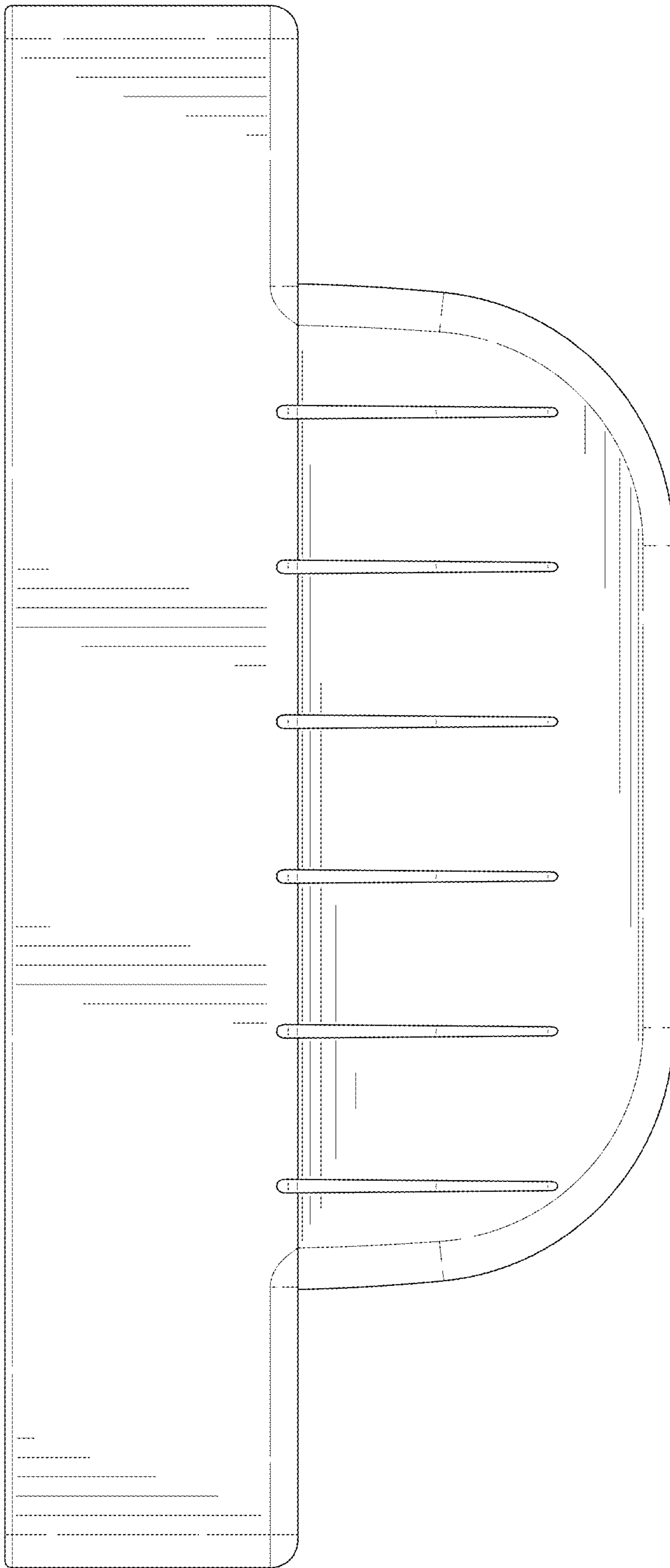


FIG. 4

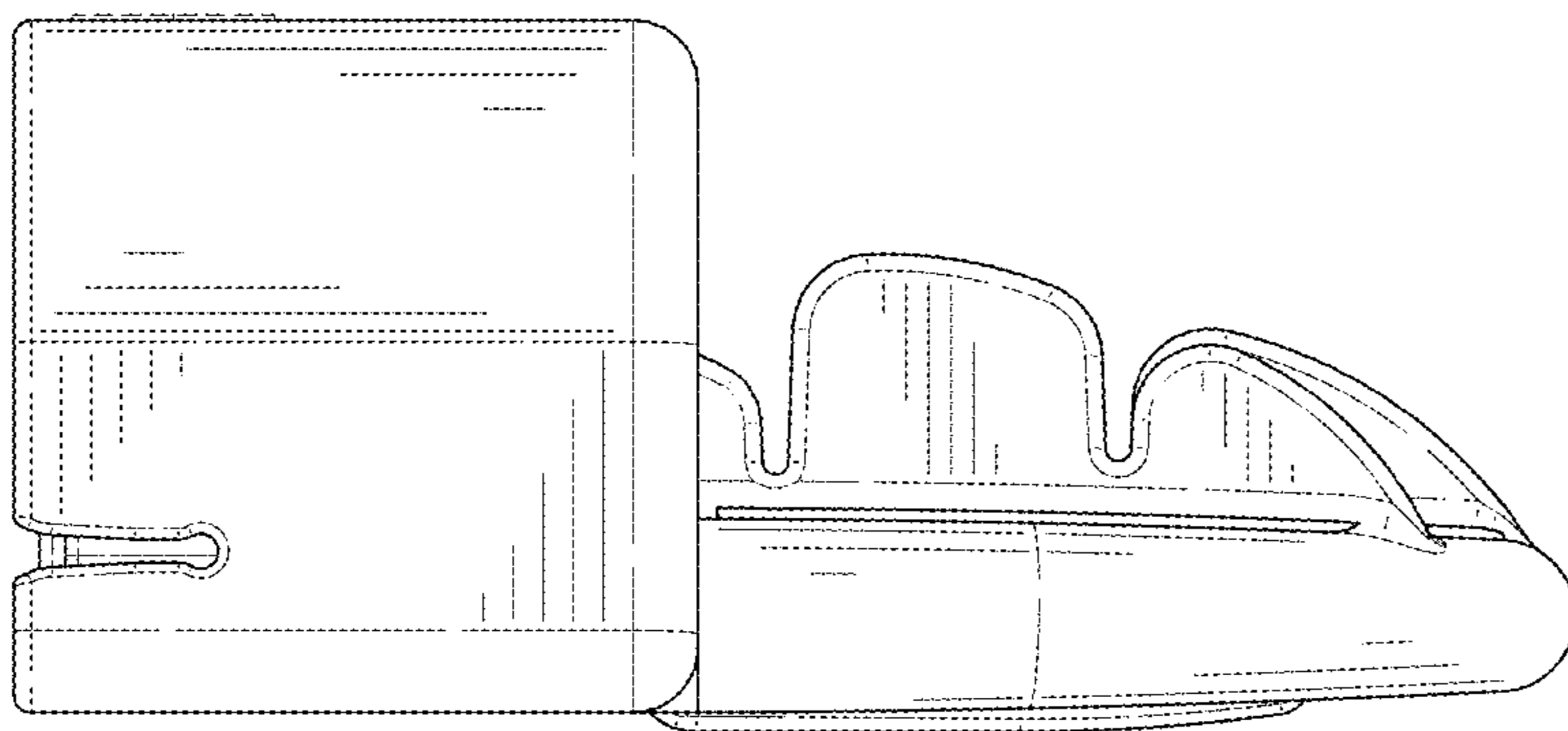


FIG. 5

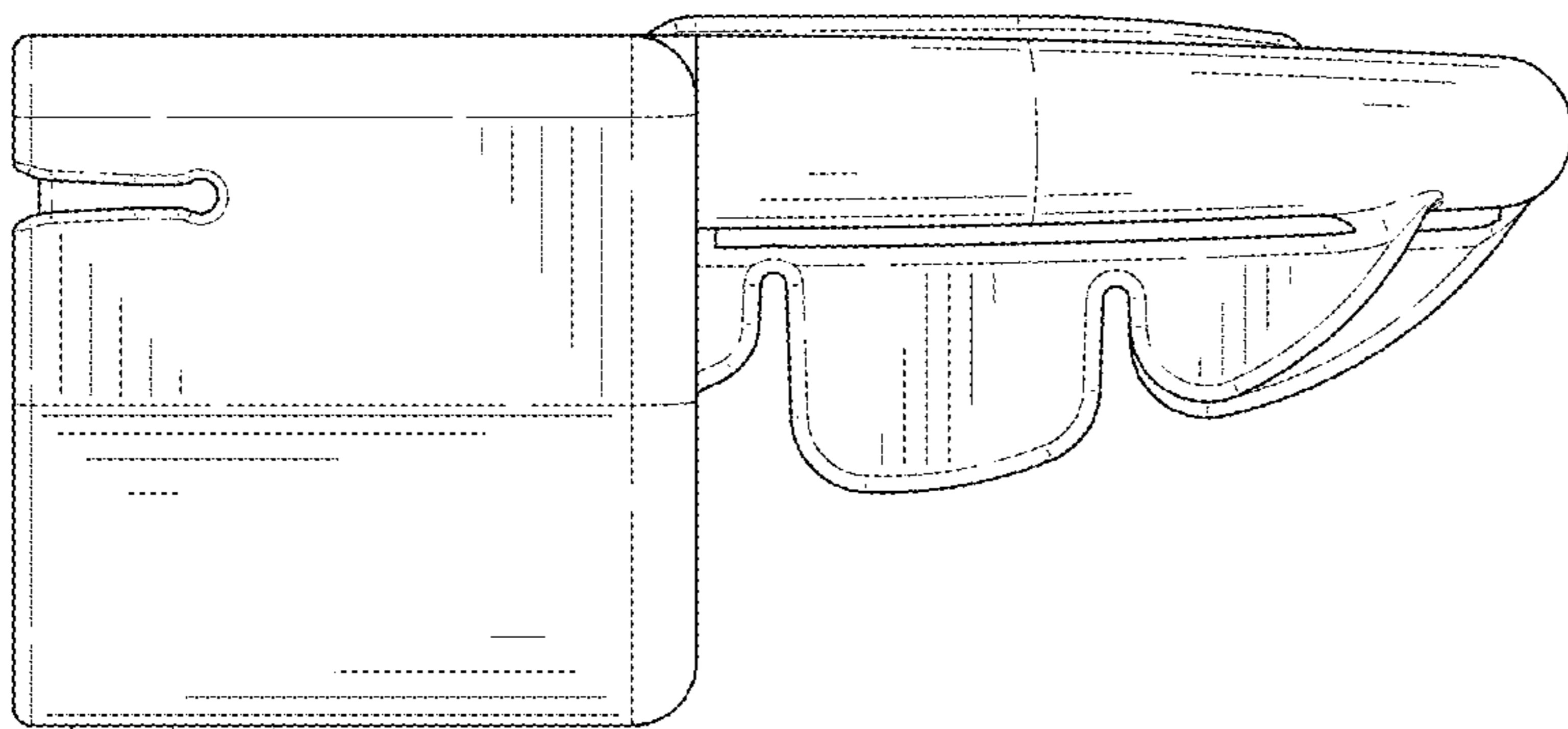


FIG. 6

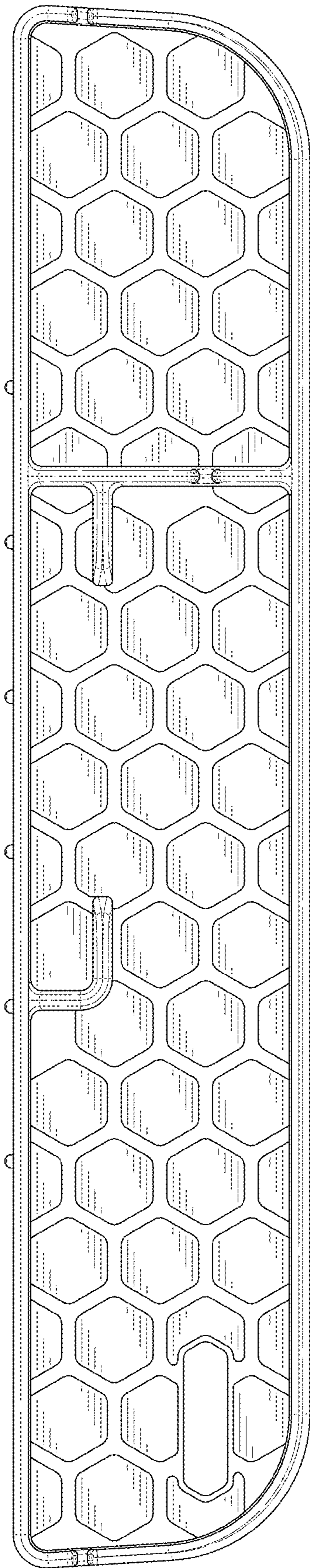


FIG. 7

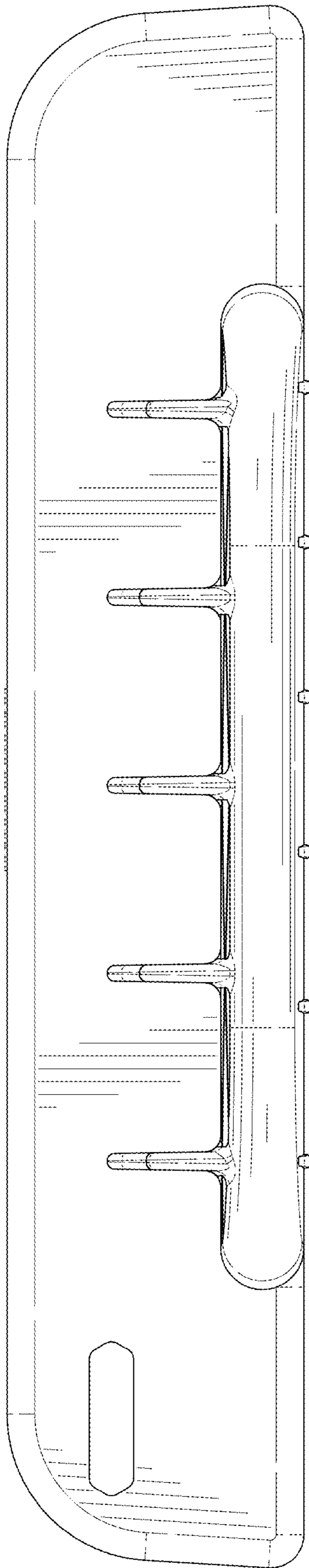


FIG. 8

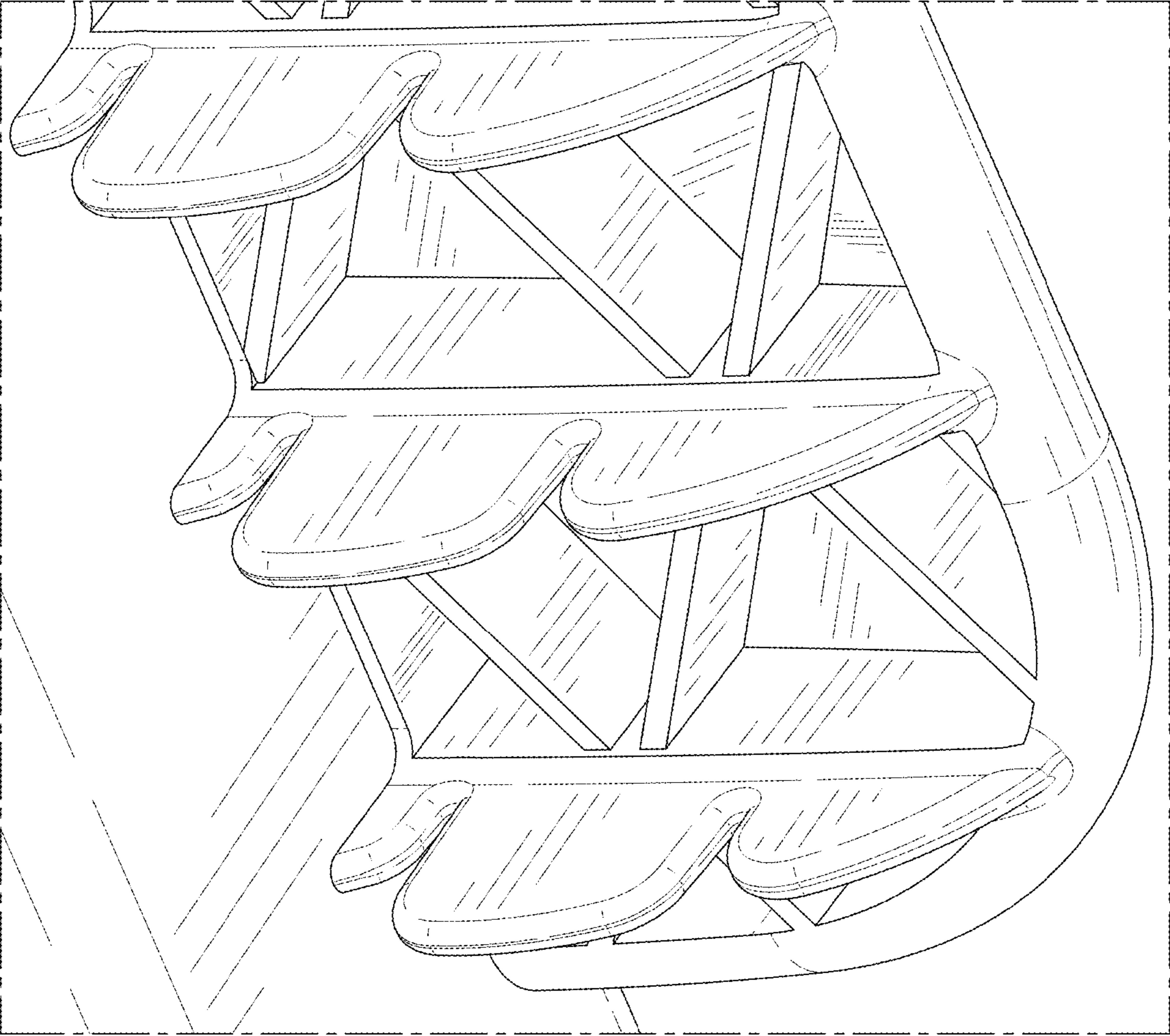


FIG. 9