

US00D964912S

(12) **United States Design Patent**  
**Wang**

(10) **Patent No.:** **US D964,912 S**

(45) **Date of Patent:** **\*\* Sep. 27, 2022**

(54) **CUP HOLDER WITH CELLPHONE MOUNT**

(71) Applicant: **Zhiyong Wang**, Guangzhou (CN)

(72) Inventor: **Zhiyong Wang**, Guangzhou (CN)

(\*\*) Term: **15 Years**

(21) Appl. No.: **29/817,197**

(22) Filed: **Nov. 30, 2021**

(51) **LOC (13) Cl.** ..... **12-16**

(52) **U.S. Cl.**  
USPC ..... **D12/419**

(58) **Field of Classification Search**  
USPC ..... D12/415, 419; D7/620  
CPC .. B60R 7/08; B60Q 3/225; B60Q 3/64; B60N  
3/10  
See application file for complete search history.

(56) **References Cited**

**U.S. PATENT DOCUMENTS**

D868,547 S	12/2019	Moore	
D868,674 S *	12/2019	Lozier .....	D12/419
D877,043 S	3/2020	MacNeil et al.	
D877,045 S *	3/2020	Johnson .....	D12/419
D877,046 S *	3/2020	Park .....	D12/419
D906,229 S *	12/2020	Han .....	D12/419

D913,201 S *	3/2021	Jia .....	D12/419
D937,754 S *	12/2021	Xu .....	D12/419
D938,342 S *	12/2021	Yang .....	D12/419
D940,050 S *	1/2022	Lai .....	D12/419
D940,635 S *	1/2022	Yang .....	D12/419
D940,636 S *	1/2022	Yang .....	D12/419
D945,948 S *	3/2022	Yu .....	D12/419
D945,949 S *	3/2022	Yu .....	D7/624.2

\* cited by examiner

*Primary Examiner* — Katrina A Betton

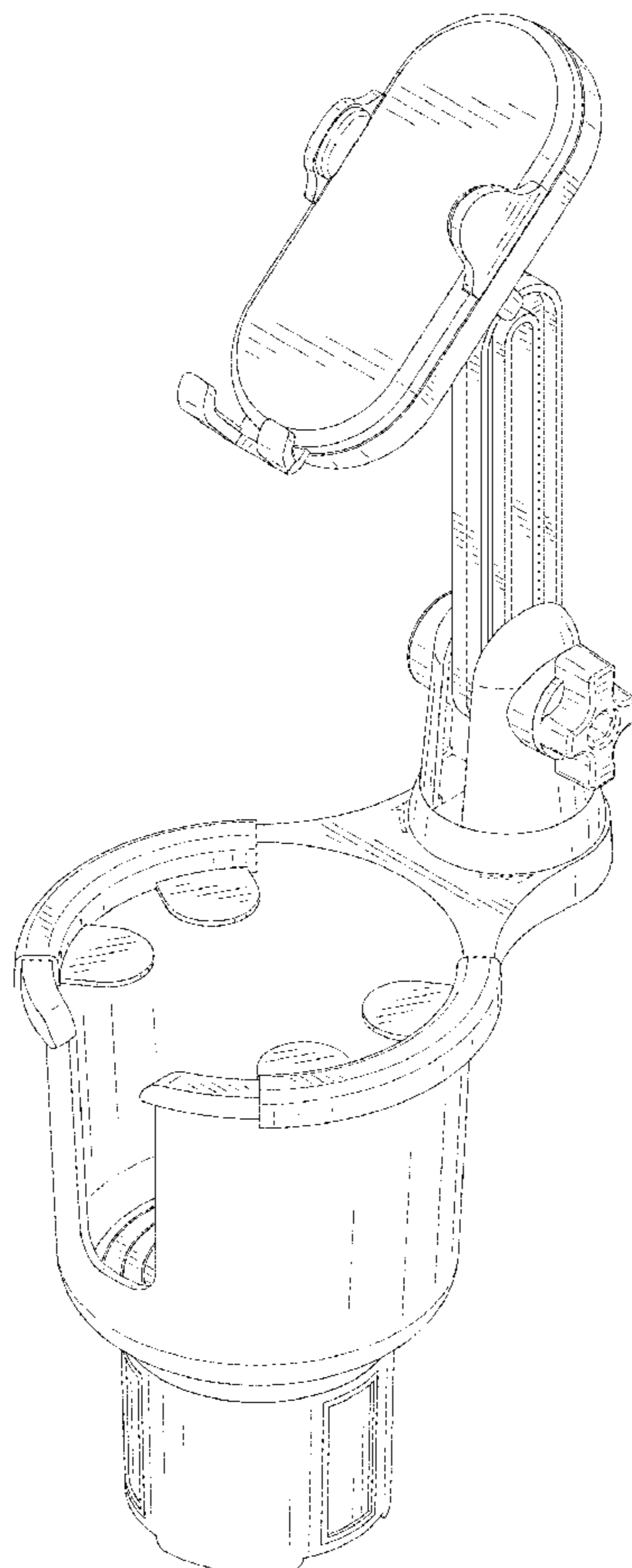
(57) **CLAIM**

The ornamental design for a cup holder with cellphone mount, as shown and described.

**DESCRIPTION**

FIG. 1 is a perspective view of a cup holder with cellphone mount showing my new design;  
FIG. 2 is another perspective view thereof;  
FIG. 3 is a front elevational view thereof;  
FIG. 4 is a rear elevational view thereof;  
FIG. 5 is a left side elevational view thereof;  
FIG. 6 is a right side elevational view thereof;  
FIG. 7 is a top plan view thereof; and,  
FIG. 8 is a bottom plan view thereof.  
The broken lines in the drawings depict portions of the cup holder with cellphone mount that form no part of the claimed design.

**1 Claim, 8 Drawing Sheets**



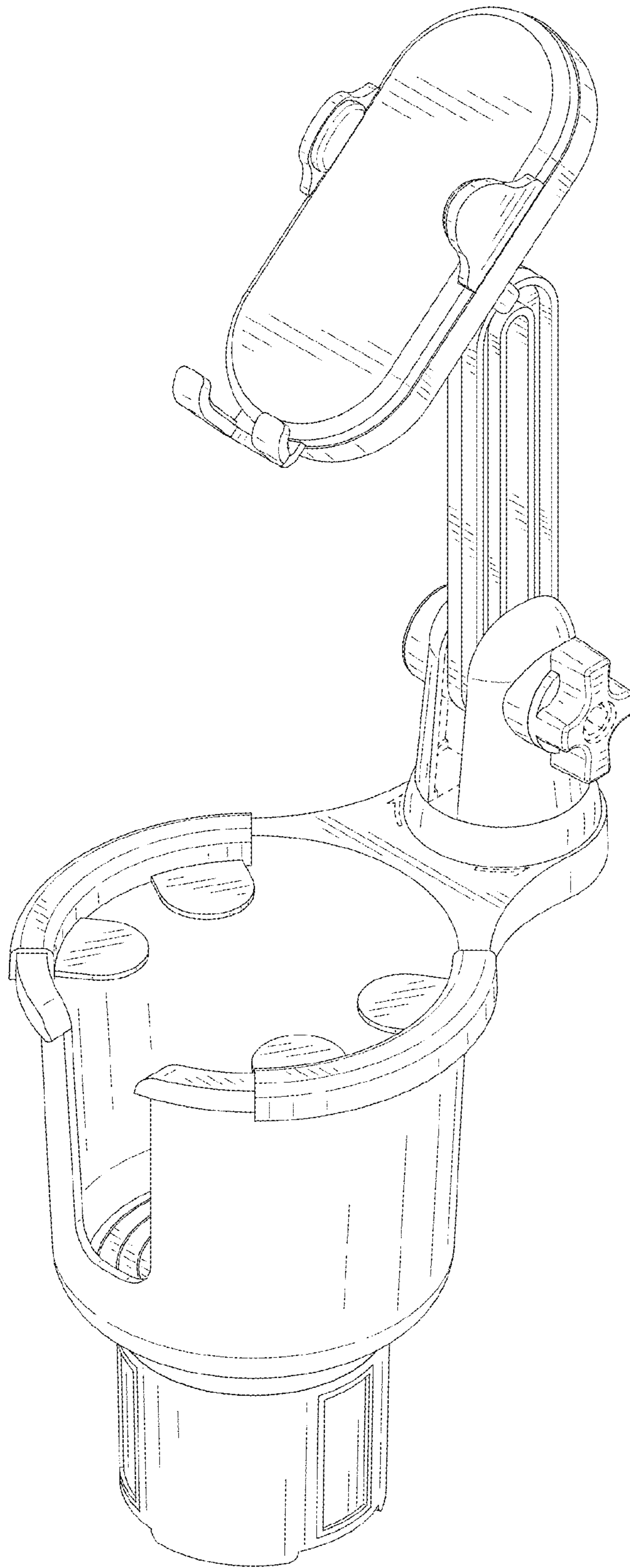


FIG. 1

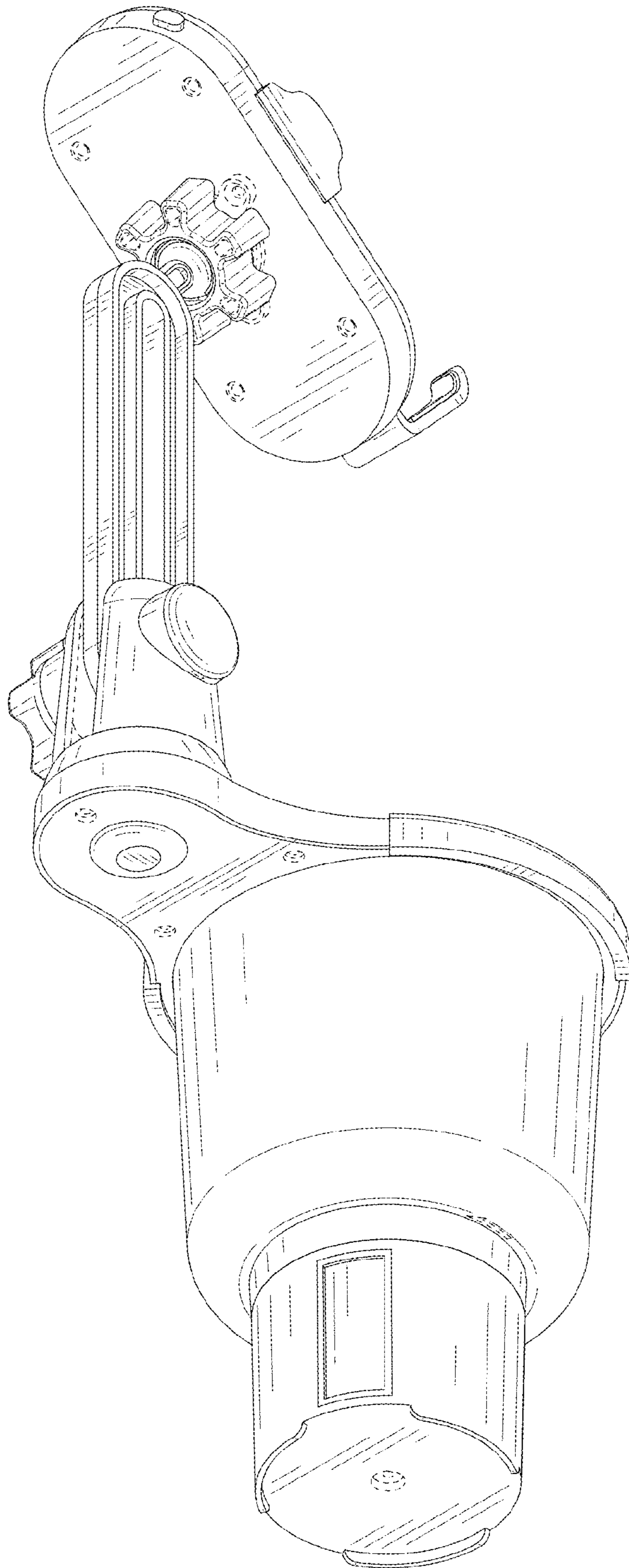


FIG. 2

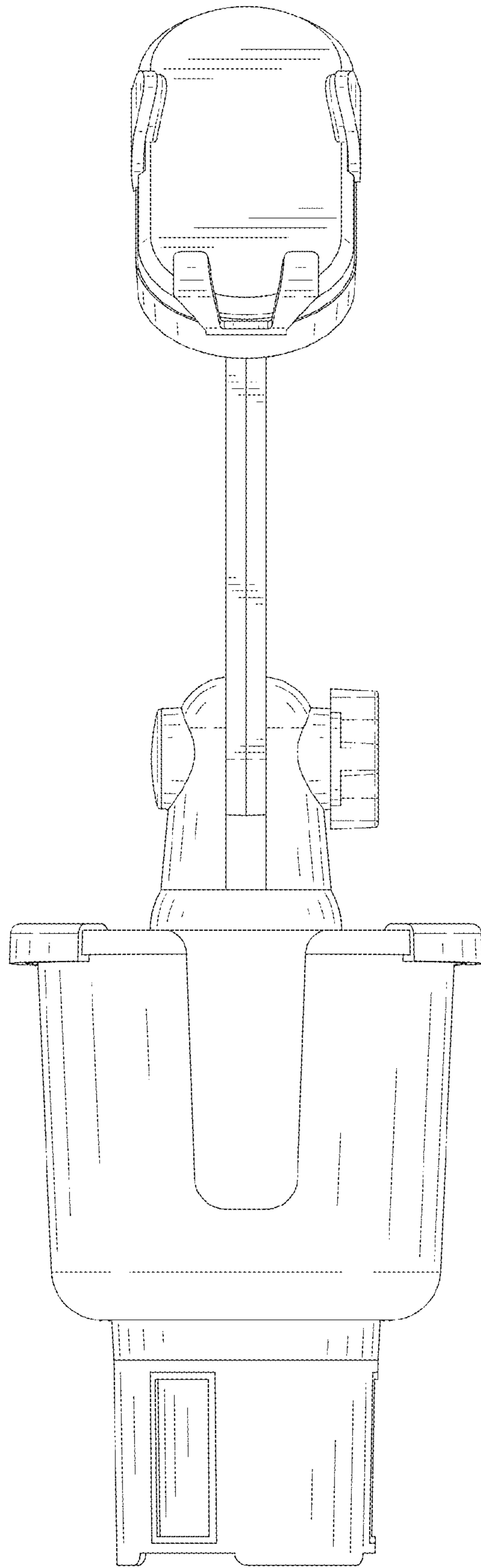


FIG. 3

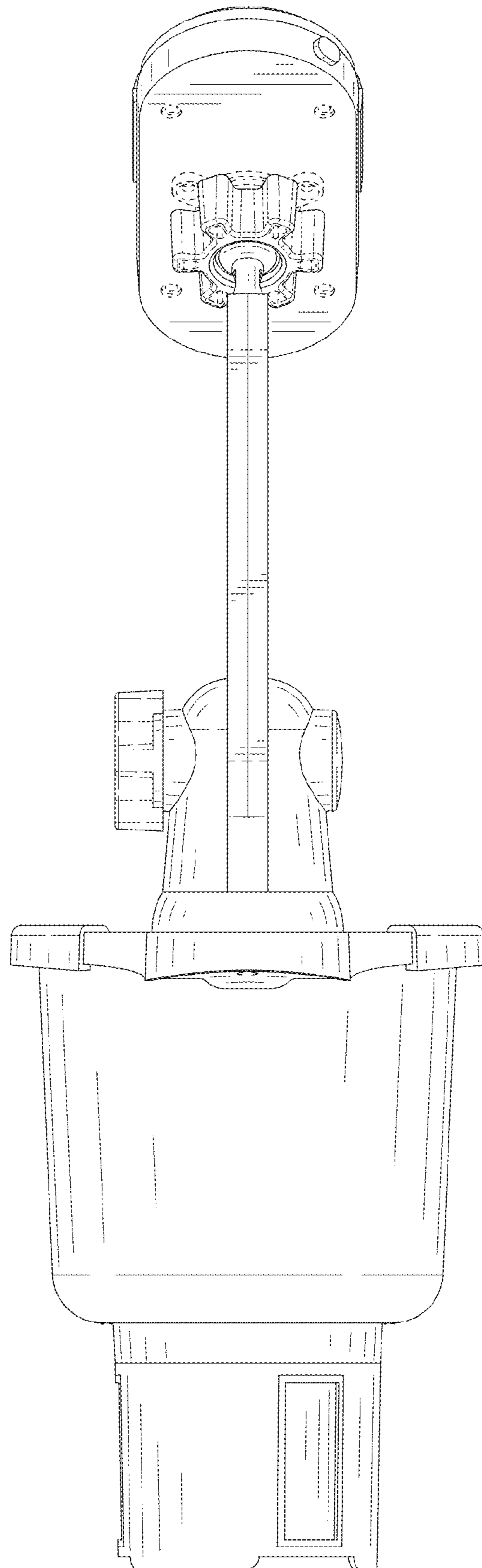


FIG. 4

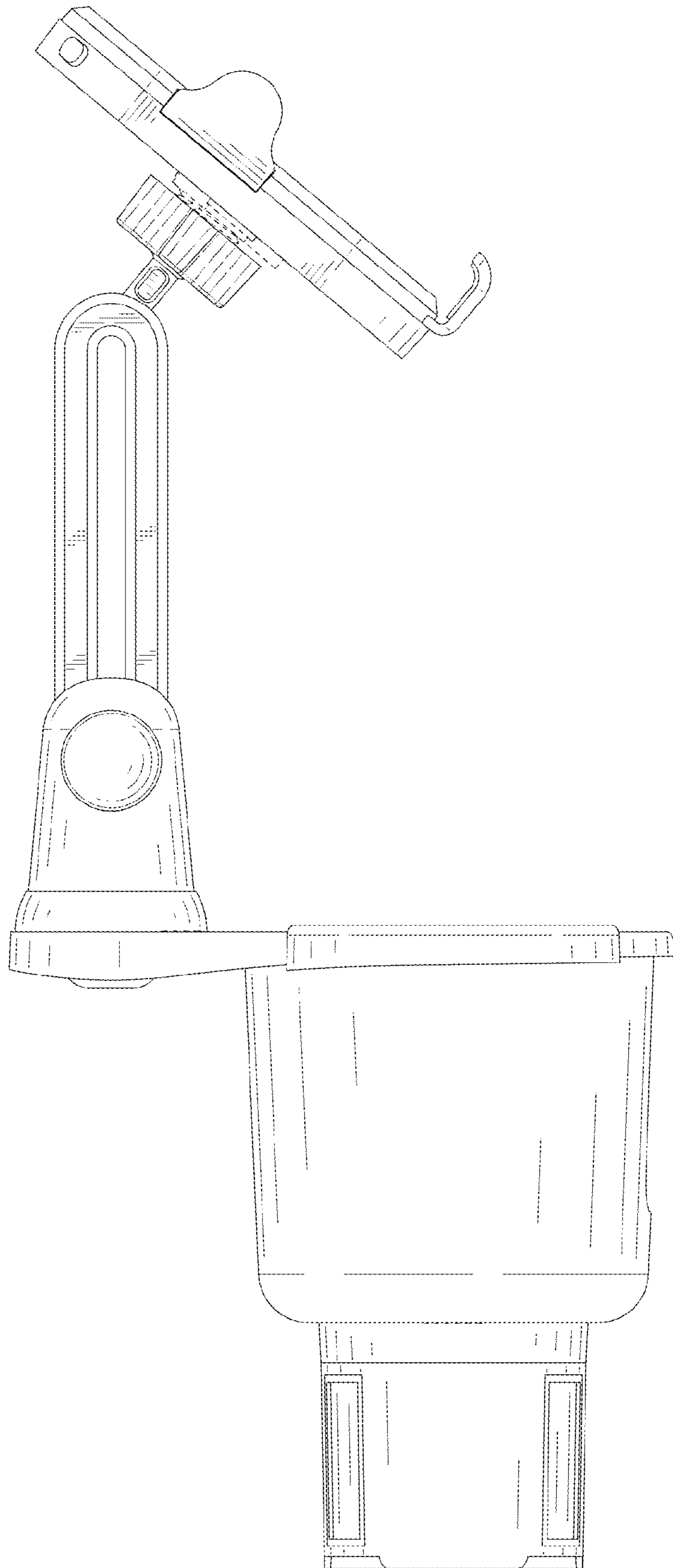


FIG. 5

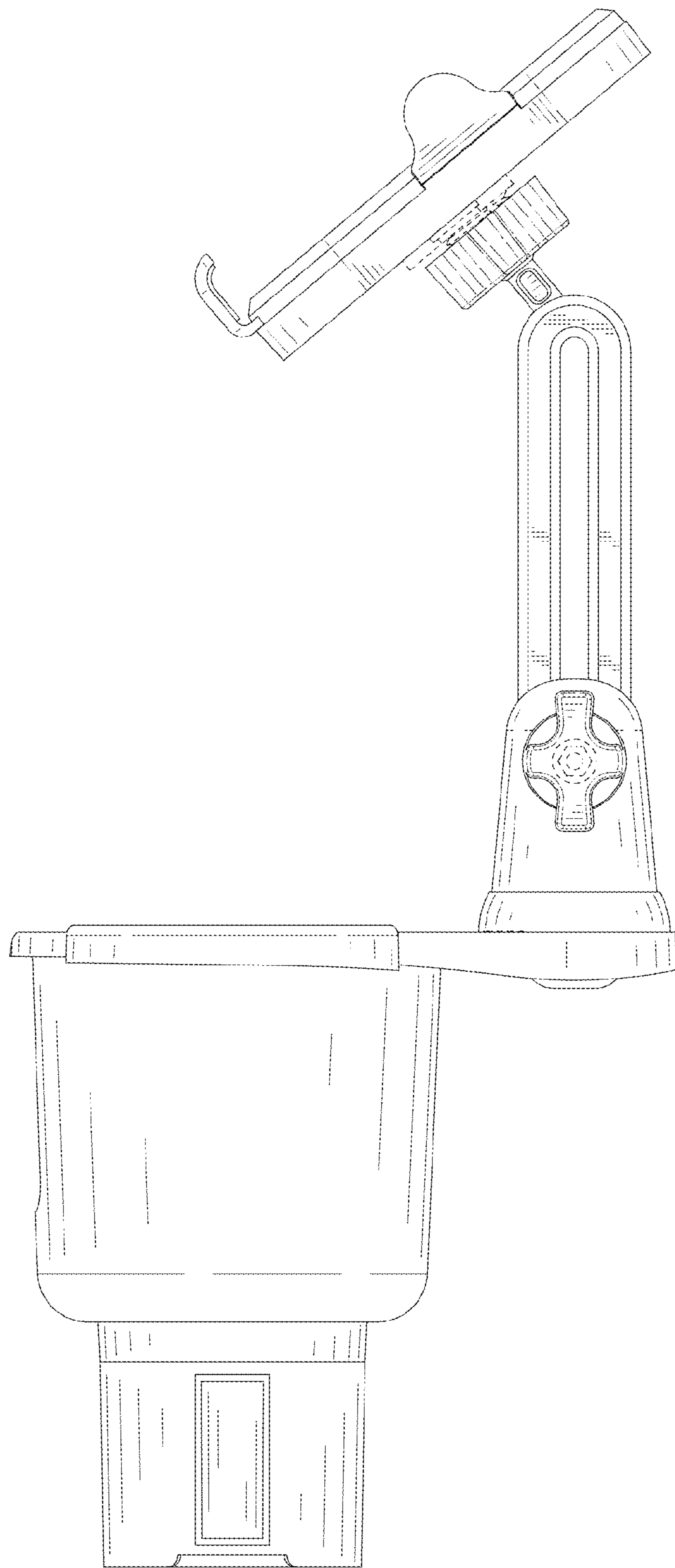


FIG. 6

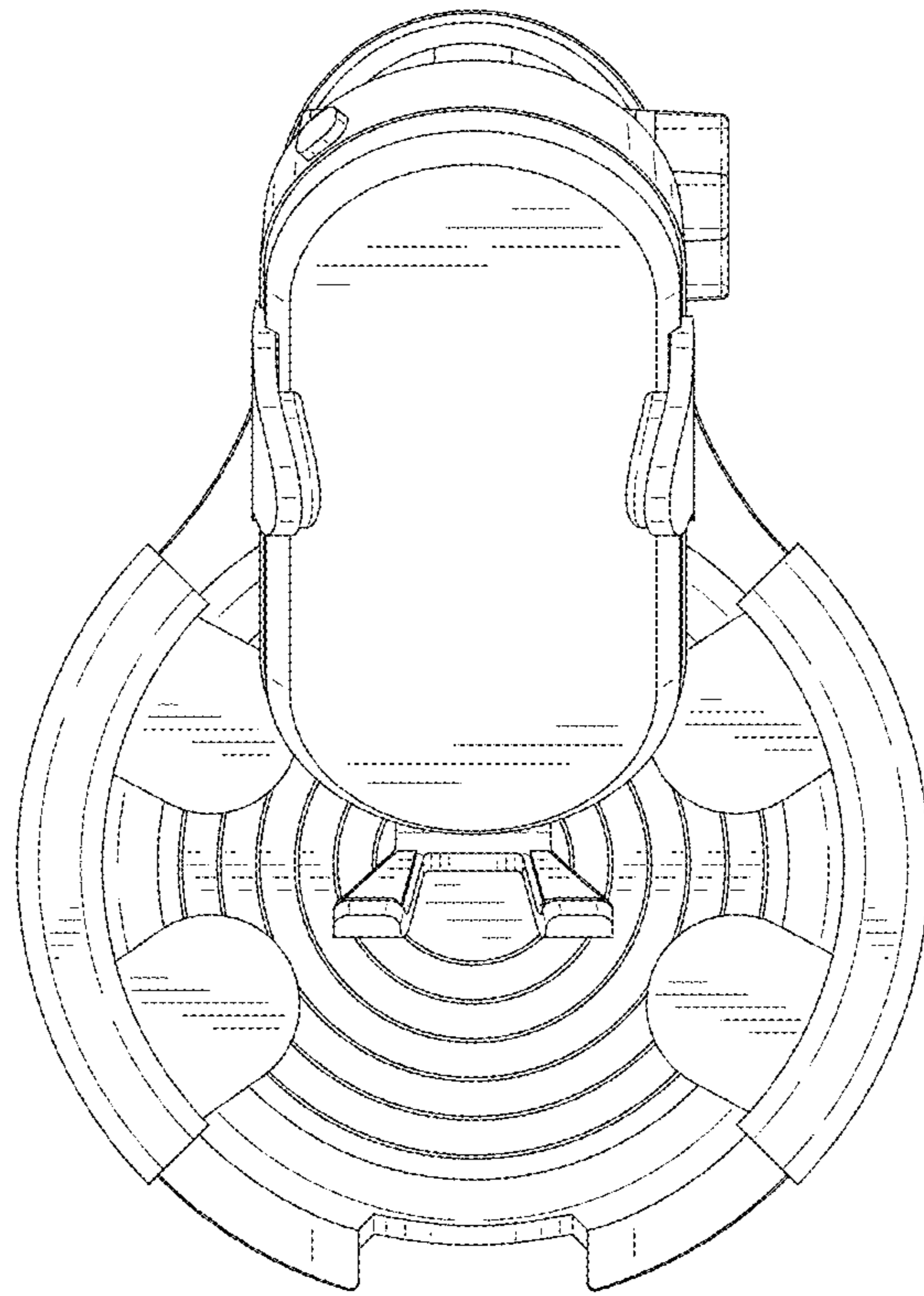


FIG. 7



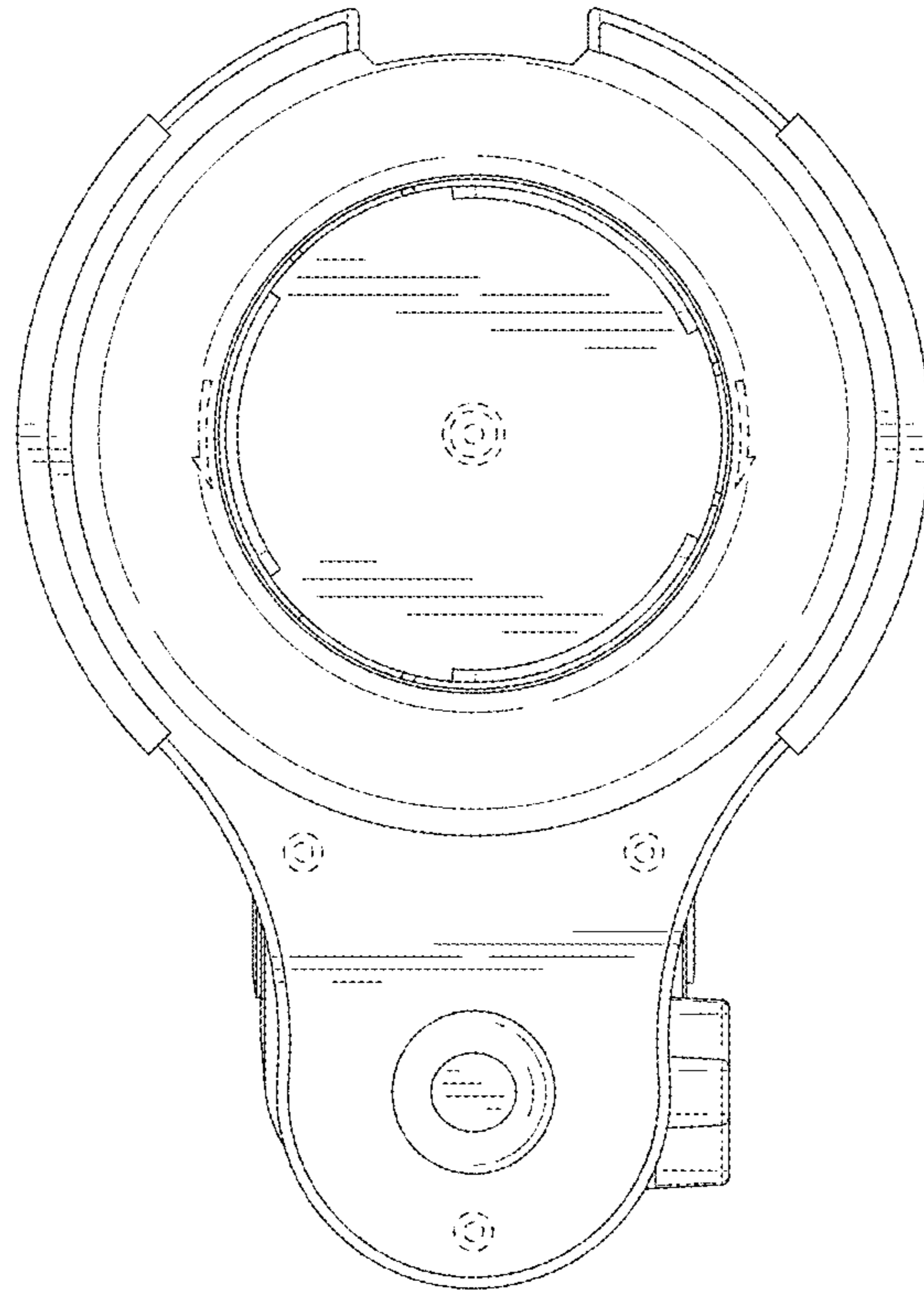


FIG. 8