



US00D964910S

(12) **United States Design Patent** (10) **Patent No.:** **US D964,910 S**
Davis et al. (45) **Date of Patent:** **** Sep. 27, 2022**

(54) **SUPPORT FRAME ASSEMBLY**

DESCRIPTION

(71) Applicant: **Rhino Rack Australia Pty Limited**,
Eastern Creek (AU)

(72) Inventors: **William Davis**, Sydney (AU); **Kyle
Henricksen**, Aurora, CO (US)

(73) Assignee: **RHINO RACK AUSTRALIA PTY
LIMITED**, Eastern Creek (AU)

(**) Term: **15 Years**

(21) Appl. No.: **29/733,253**

(22) Filed: **Apr. 30, 2020**

(30) **Foreign Application Priority Data**

Oct. 30, 2019 (AU) 201916209

(51) **LOC (13) Cl.** **12-16**

(52) **U.S. Cl.**

USPC **D12/412; D8/349**

(58) **Field of Classification Search**

USPC D6/702, 705, 705.4, 706, 328; D8/349,
D8/354, 364, 366, 374, 381, 382, 395,
D8/403; D12/223, 406, 412, 414
(Continued)

FIG. 1 is a top and side isometric view of a novel support frame assembly embodying the present invention;
 FIG. 2 is a reverse isometric view thereof;
 FIG. 3 is a reverse rear isometric view thereof;
 FIG. 4 is a rear isometric view thereof;
 FIG. 5 is a left side elevational view thereof;
 FIG. 6 is a right side elevational view thereof;
 FIG. 7 is a top plan view thereof;
 FIG. 8 is a bottom view thereof; and
 FIG. 9 is a top and side dimetric view thereof.
 FIG. 10 is a top side isometric view of a further novel support frame assembly embodying the present invention which illustrates the large leg component of the assembly shown in FIG. 1 and further showing a disconnected smaller support component thereof;
 FIG. 11 is a reverse isometric view of FIG. 10;
 FIG. 12 is a reverse rear isometric view thereof of FIG. 10;
 FIG. 13 is a rear isometric view of FIG. 10;
 FIG. 14 is a left side elevational view of FIG. 10;
 FIG. 15 is a right side elevational view of FIG. 10;
 FIG. 16 is a top plan view of FIG. 10;
 FIG. 17 is a bottom view of FIG. 10;
 FIG. 18 is a top and side dimetric view of FIG. 10;
 FIG. 19 is a rear elevational view of FIG. 10, but further showing the support component coupled to the leg component;
 FIG. 20 is a front elevational view of FIG. 10, but further showing the support component coupled to the leg component.
 FIG. 21 is a top and left side isometric view of another novel support frame assembly embodying the present invention comparable to that shown in FIGS. 1-9, but wherein the rear and side faces thereof are perpendicular to one another and the outwardly facing bottom flange at the lower end thereof shown in FIG. 4 thereof is directed inwardly and not outwardly;
 FIG. 22 is a bottom, rear and side isometric view of FIG. 21;
 FIG. 23 is a rear and side isometric view of FIG. 21;
 FIG. 24 is a bottom and left side isometric view of FIG. 21;
 FIG. 25 is a right side elevational view of FIG. 21;
 FIG. 26 is a left side elevational view of FIG. 21;
 FIG. 27 is a top plan view of FIG. 21;
 (Continued)

(56) **References Cited**

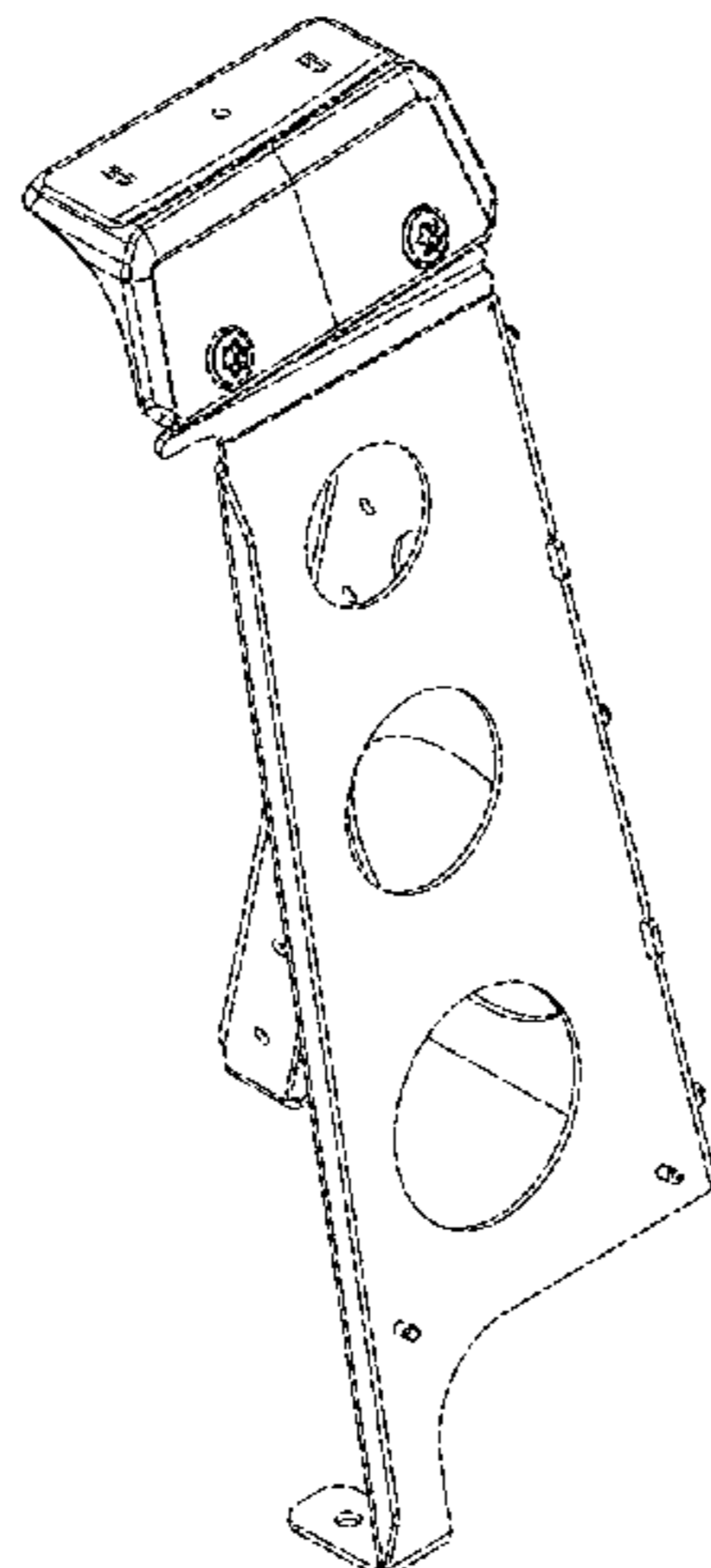
U.S. PATENT DOCUMENTS

D269,774 S * 7/1983 Schwarzli D12/414
 D273,187 S * 3/1984 Brorsson D12/414
 (Continued)

Primary Examiner — Richard Kearney
Assistant Examiner — Benjamin M Weeks
 (74) *Attorney, Agent, or Firm* — Galgano IP Law PLLC;
 Thomas M. Gaigano, Esq.

(57) **CLAIM**

The ornamental design for a support frame assembly, as shown.



US D964,910 S

Page 2

FIG. 28 is a bottom view of FIG. 21;
FIG. 29 is a rear elevational view of FIG. 21; and,
FIG. 30 is a front elevational view of FIG. 21.

1 Claim, 19 Drawing Sheets

(58) Field of Classification Search

CPC A47B 96/06; A47B 96/061; A47B 96/066;
A47B 96/1408; A47B 96/1416; B60R
9/00; B60R 9/048; B60R 9/058

See application file for complete search history.

(56) References Cited

U.S. PATENT DOCUMENTS

D299,224 S * 1/1989 Kamaya D12/412
D358,795 S * 5/1995 Viola D12/187

D375,471 S * 11/1996 Page, Jr. D12/114
D473,123 S * 4/2003 Anderson D8/354
D606,384 S * 12/2009 Antonie D8/354
D618,085 S * 6/2010 Lin D8/354
D624,805 S * 10/2010 Clarke D8/354
8,496,146 B2 * 7/2013 Badillo B60R 9/045
224/558
8,910,452 B2 * 12/2014 Noturno E04B 7/045
52/93.2
D793,784 S * 8/2017 Louthan, Jr. D6/702
D847,410 S * 4/2019 Stanley D26/138
D855,441 S * 8/2019 Schmonsees D8/349
D892,597 S * 8/2020 Stoops D8/354
D897,193 S * 9/2020 Sokoly D8/367
D913,197 S * 3/2021 Badillo D12/412
D921,640 S * 6/2021 Cheng D8/381
D931,151 S * 9/2021 Wade D12/159
D940,545 S * 1/2022 Tanner D8/381

* cited by examiner

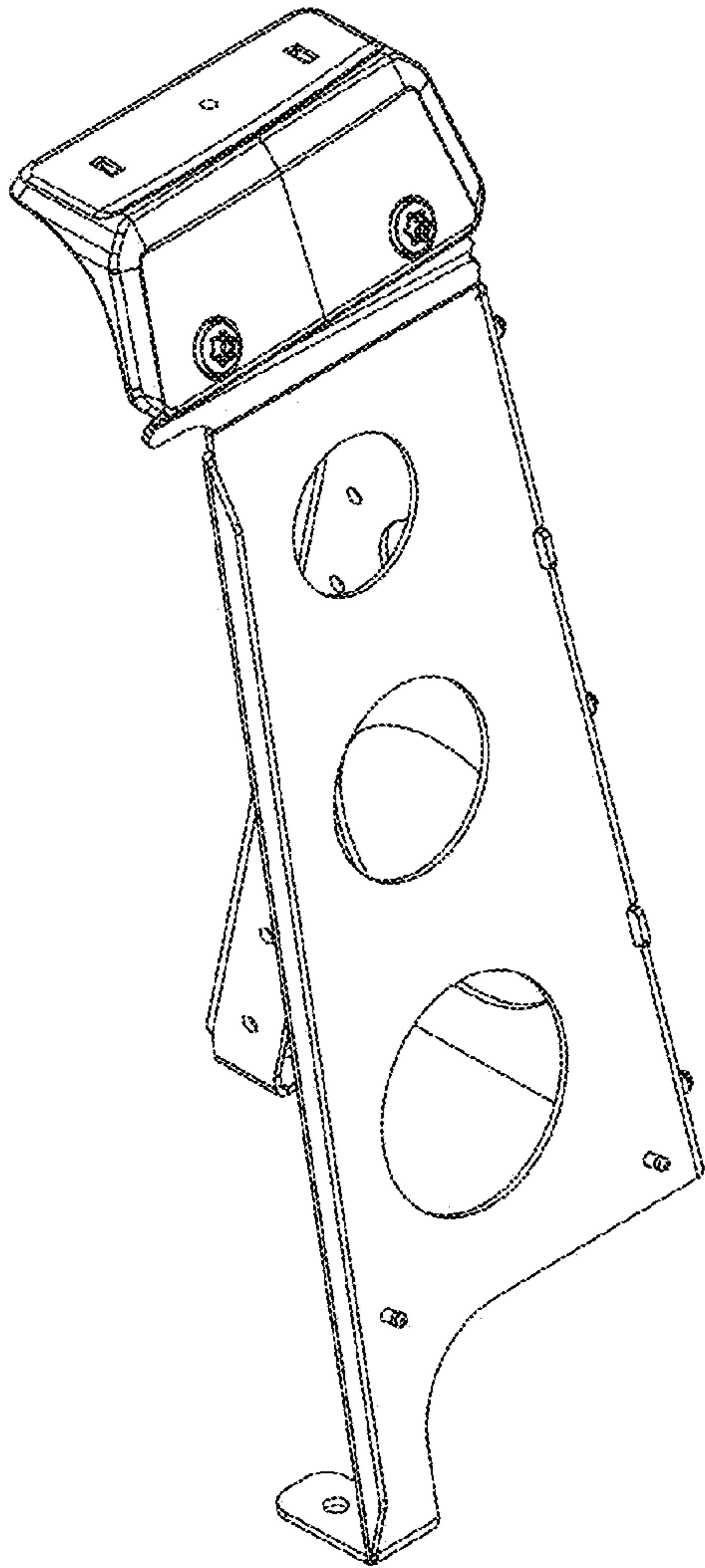


FIG. 1

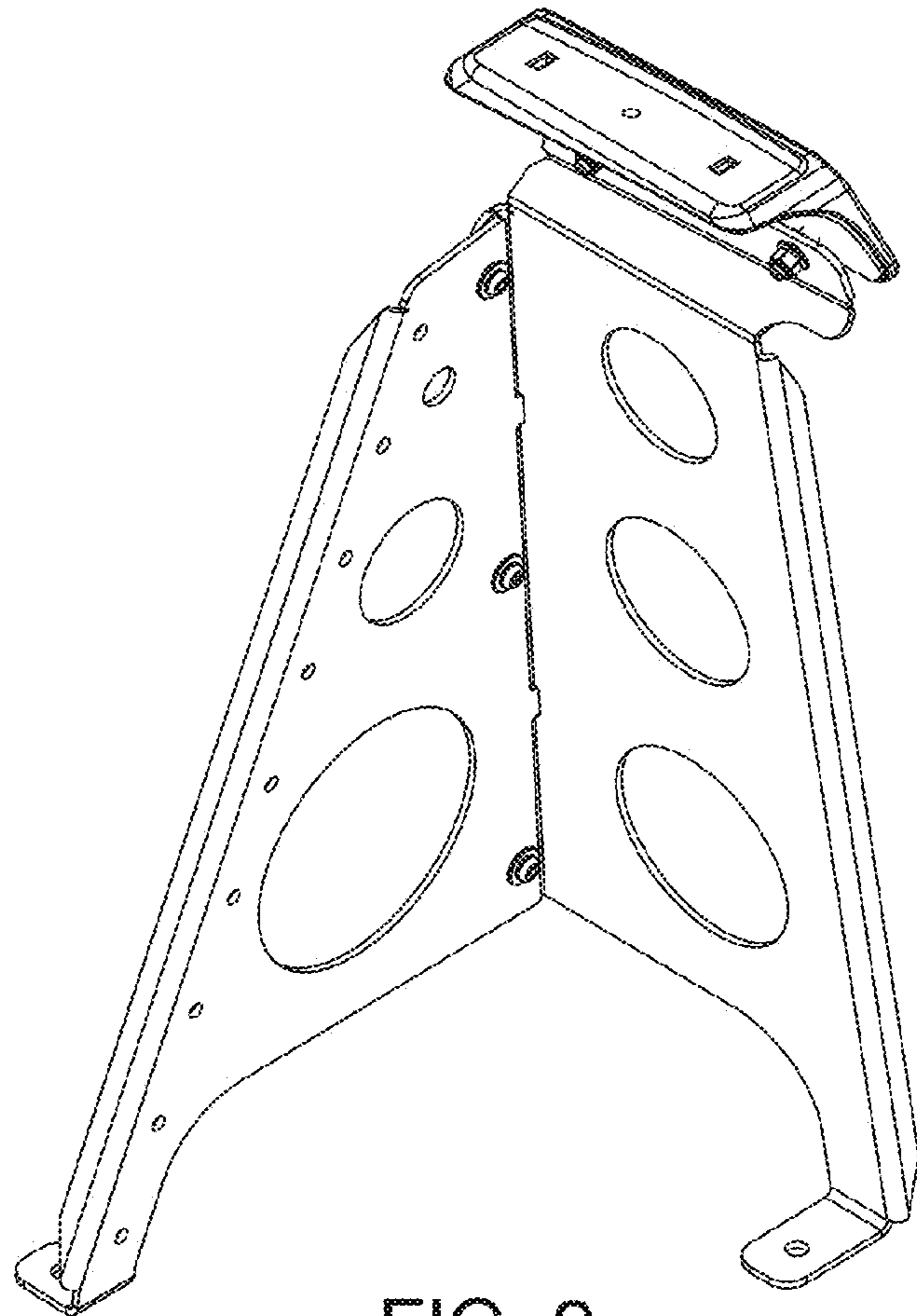


FIG. 2

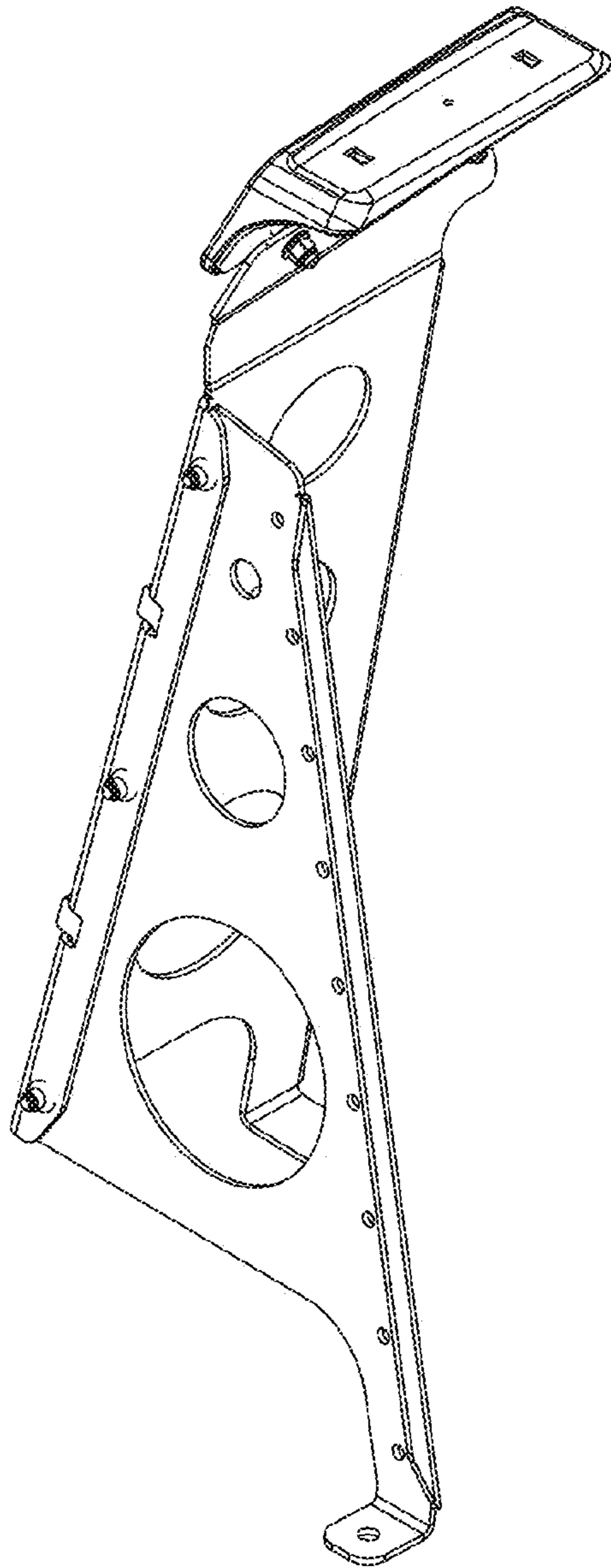


FIG. 3

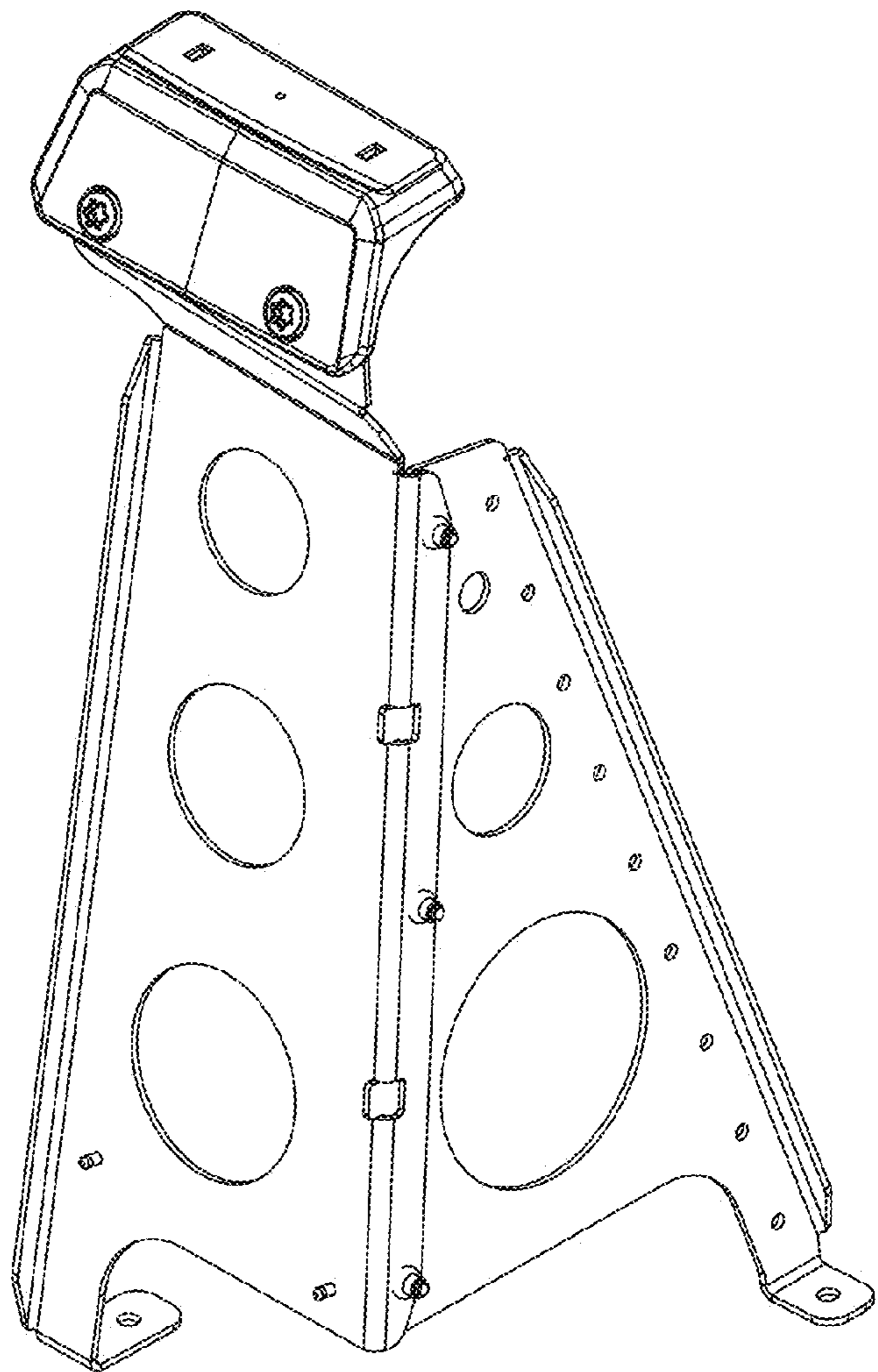


FIG. 4

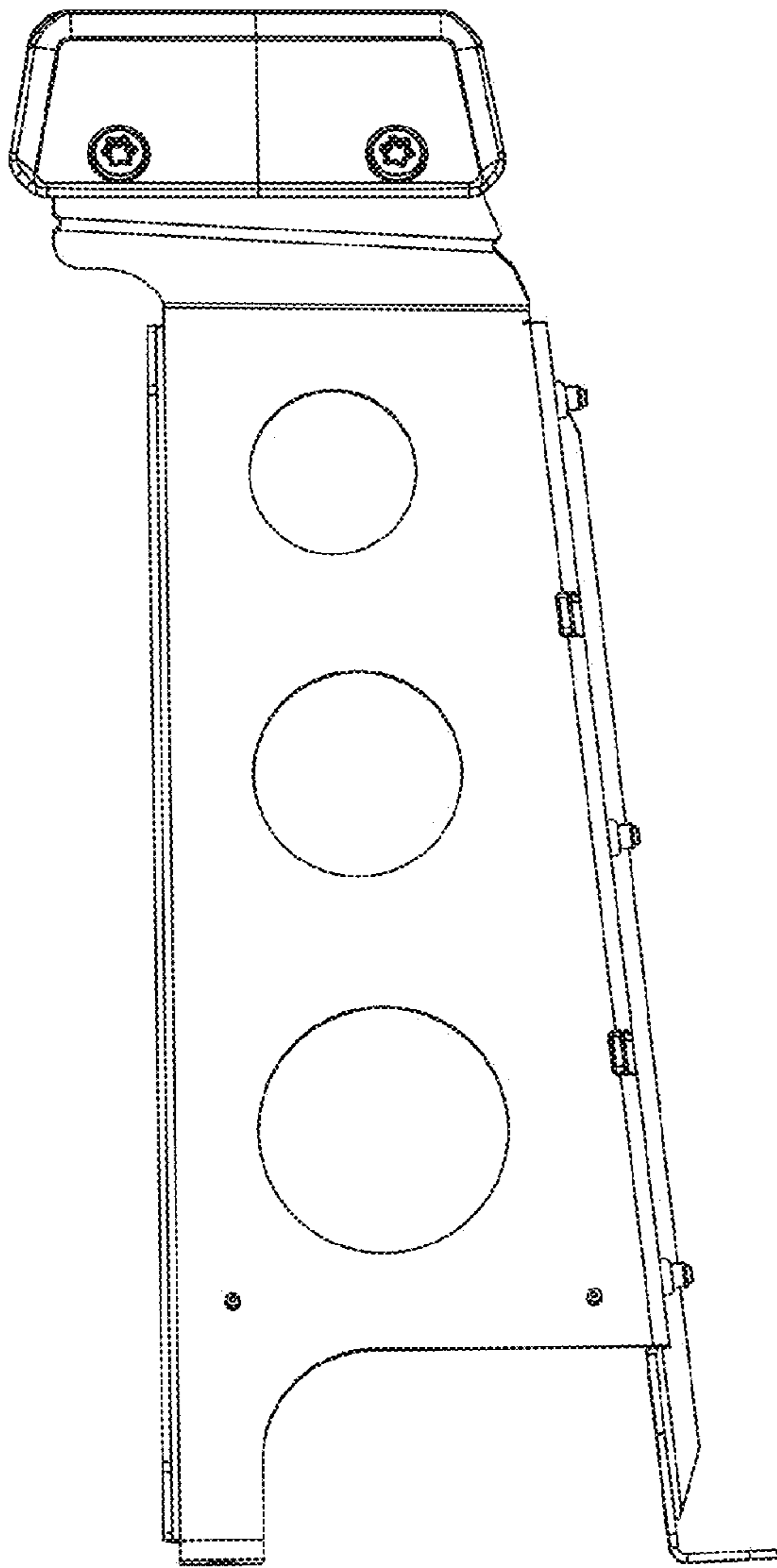


FIG. 5

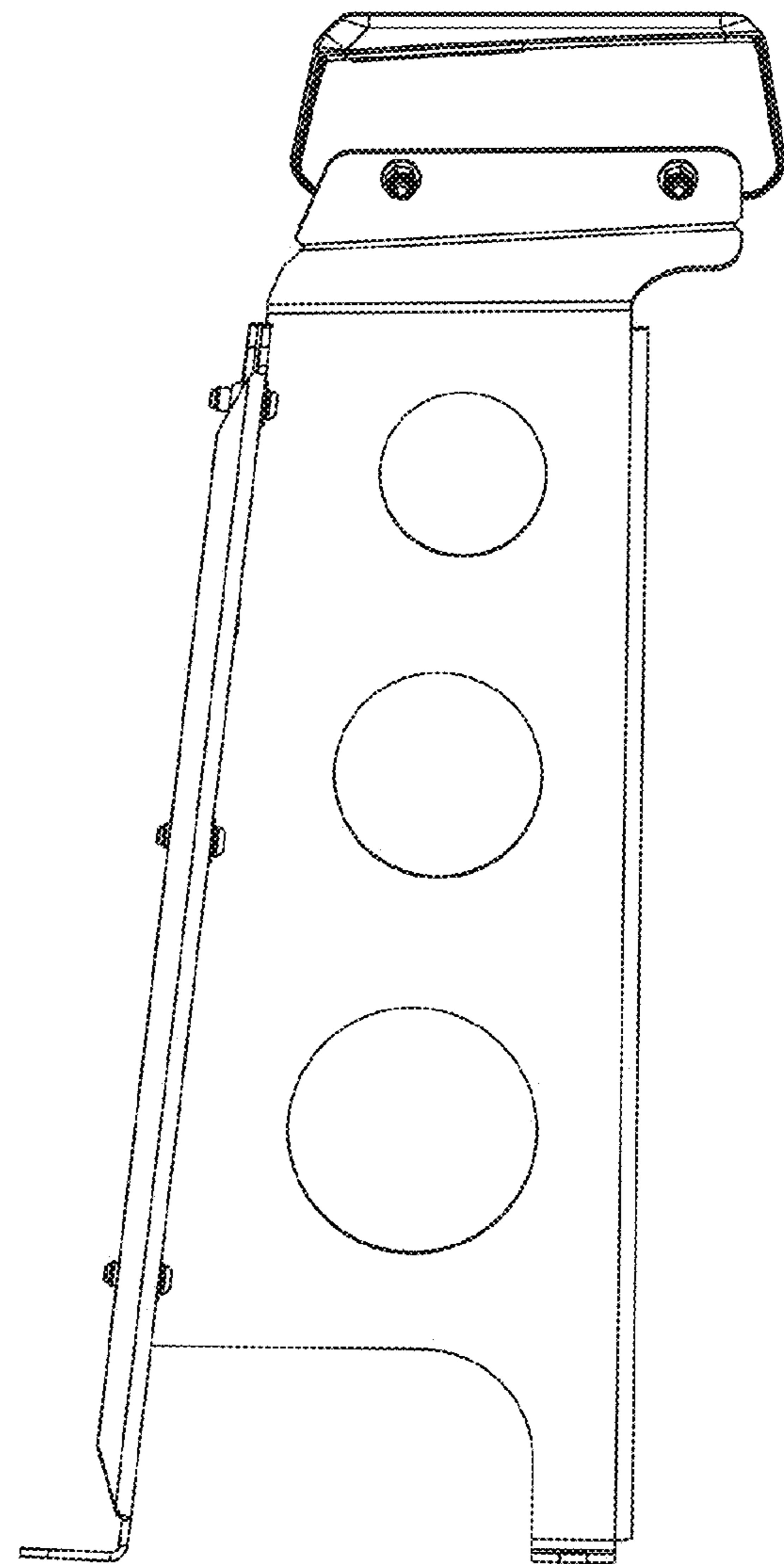


FIG. 6

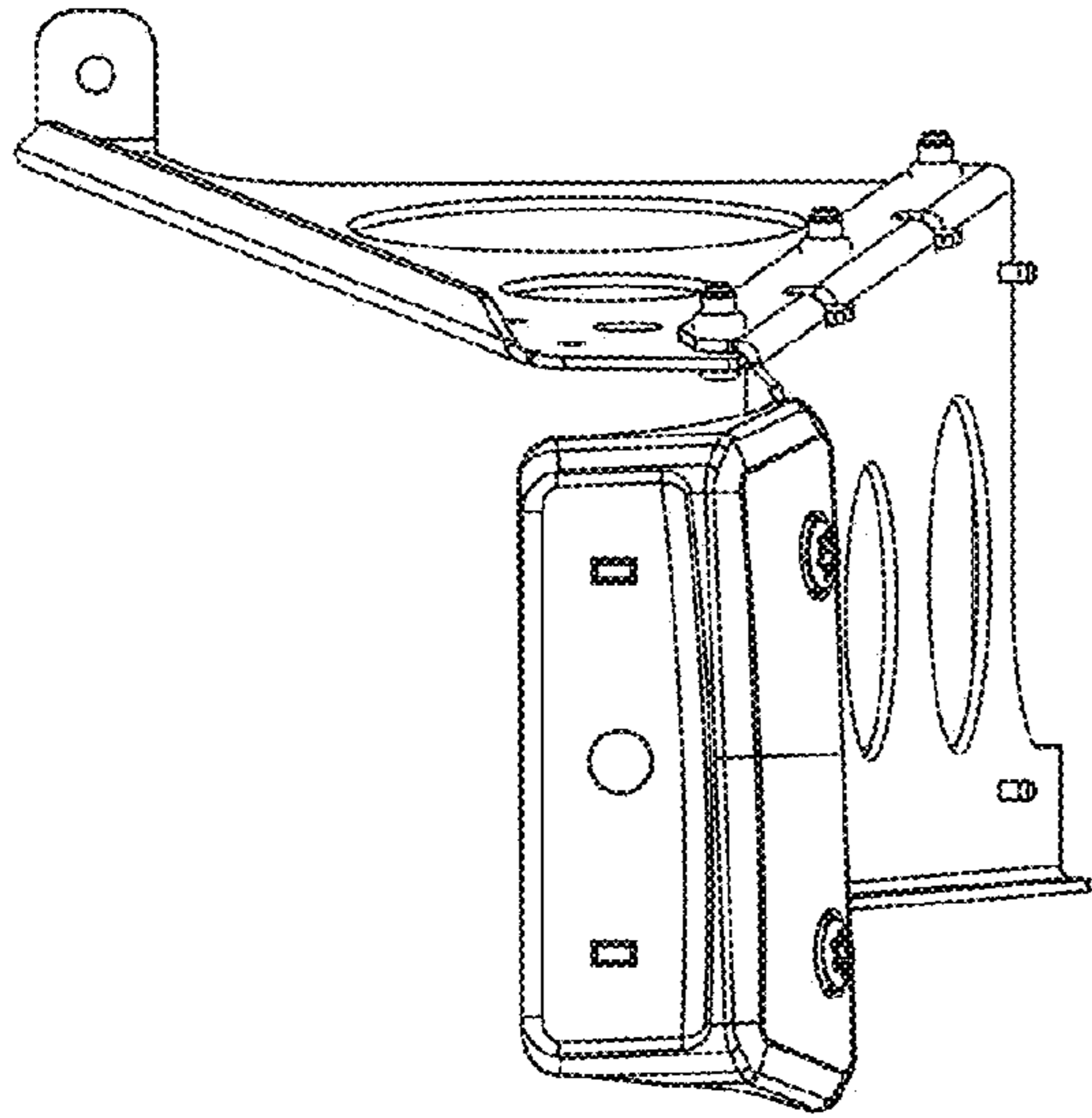


FIG. 7

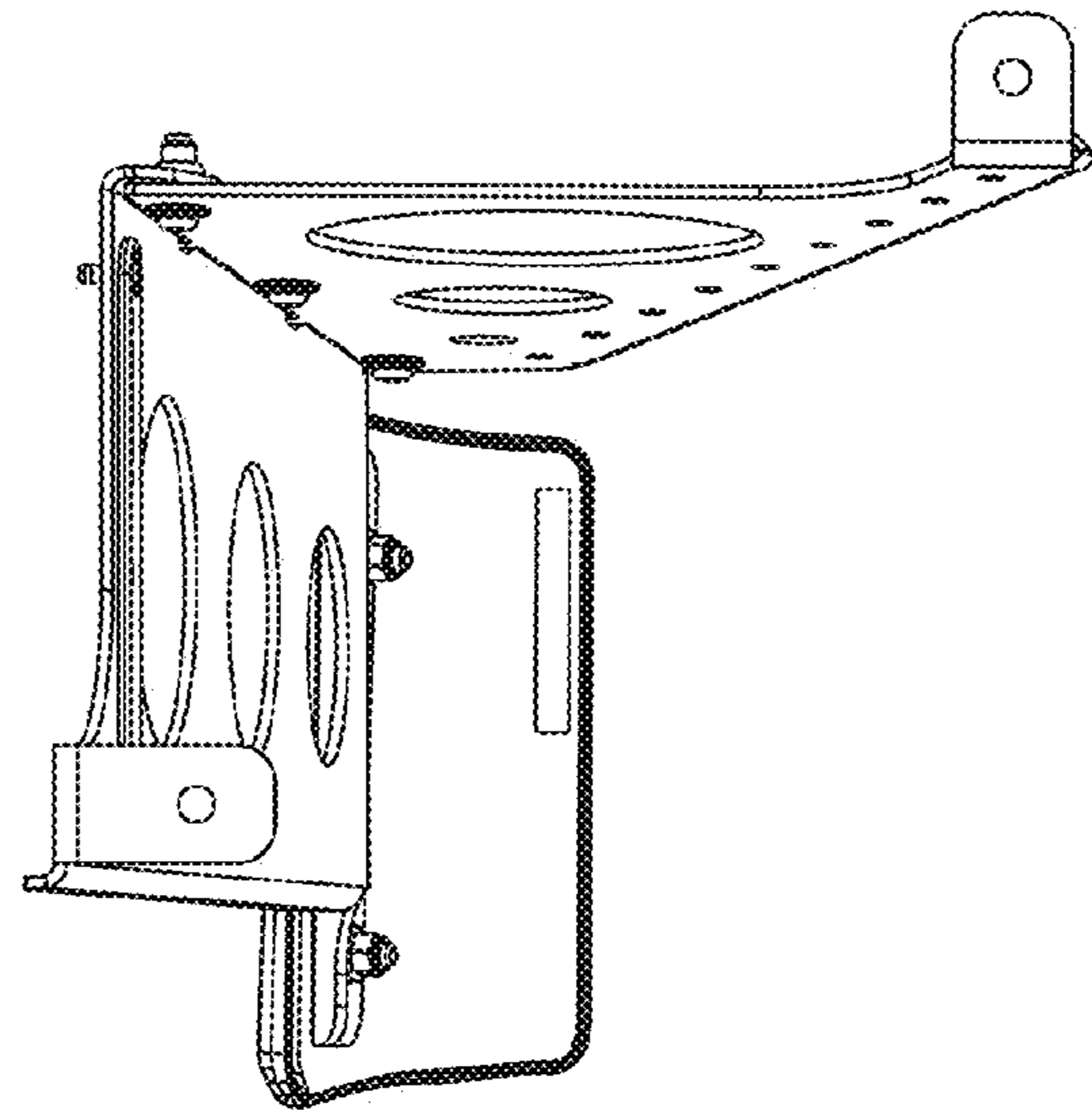


FIG. 8

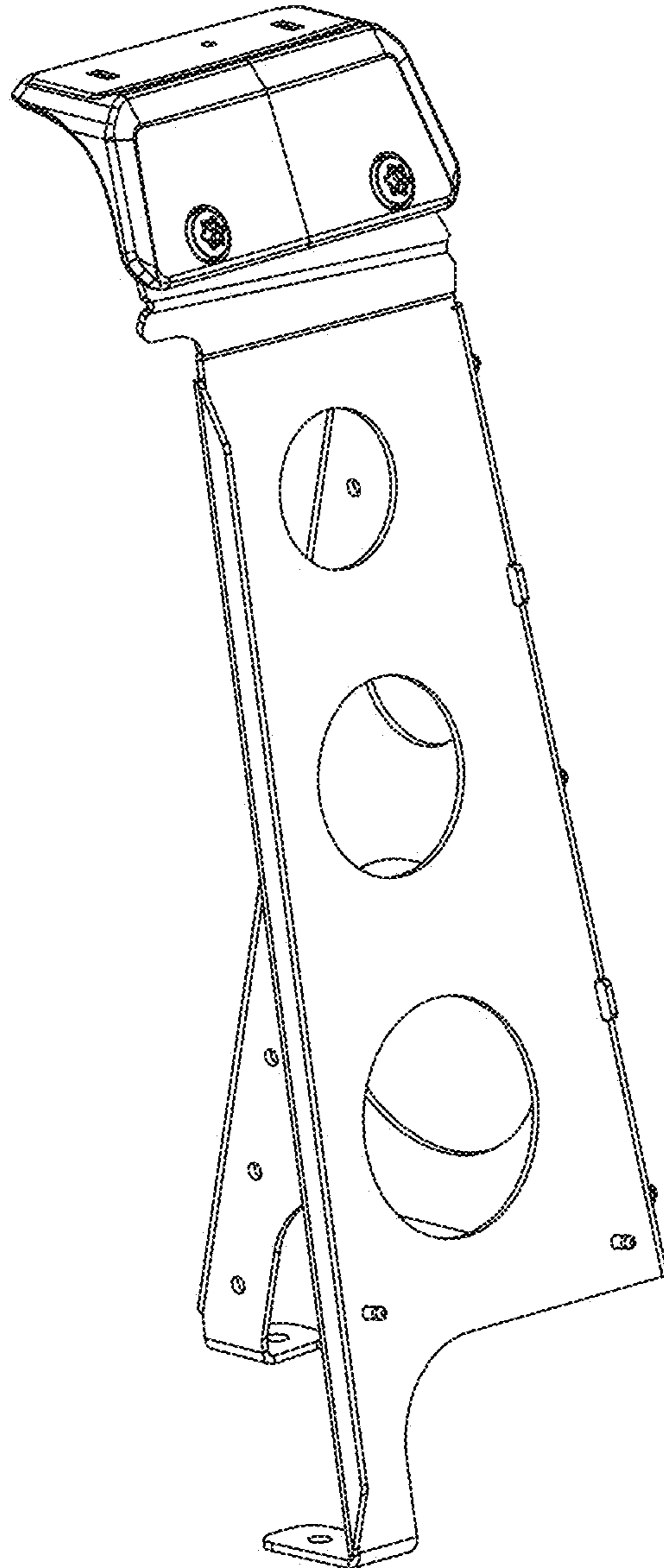


FIG. 9

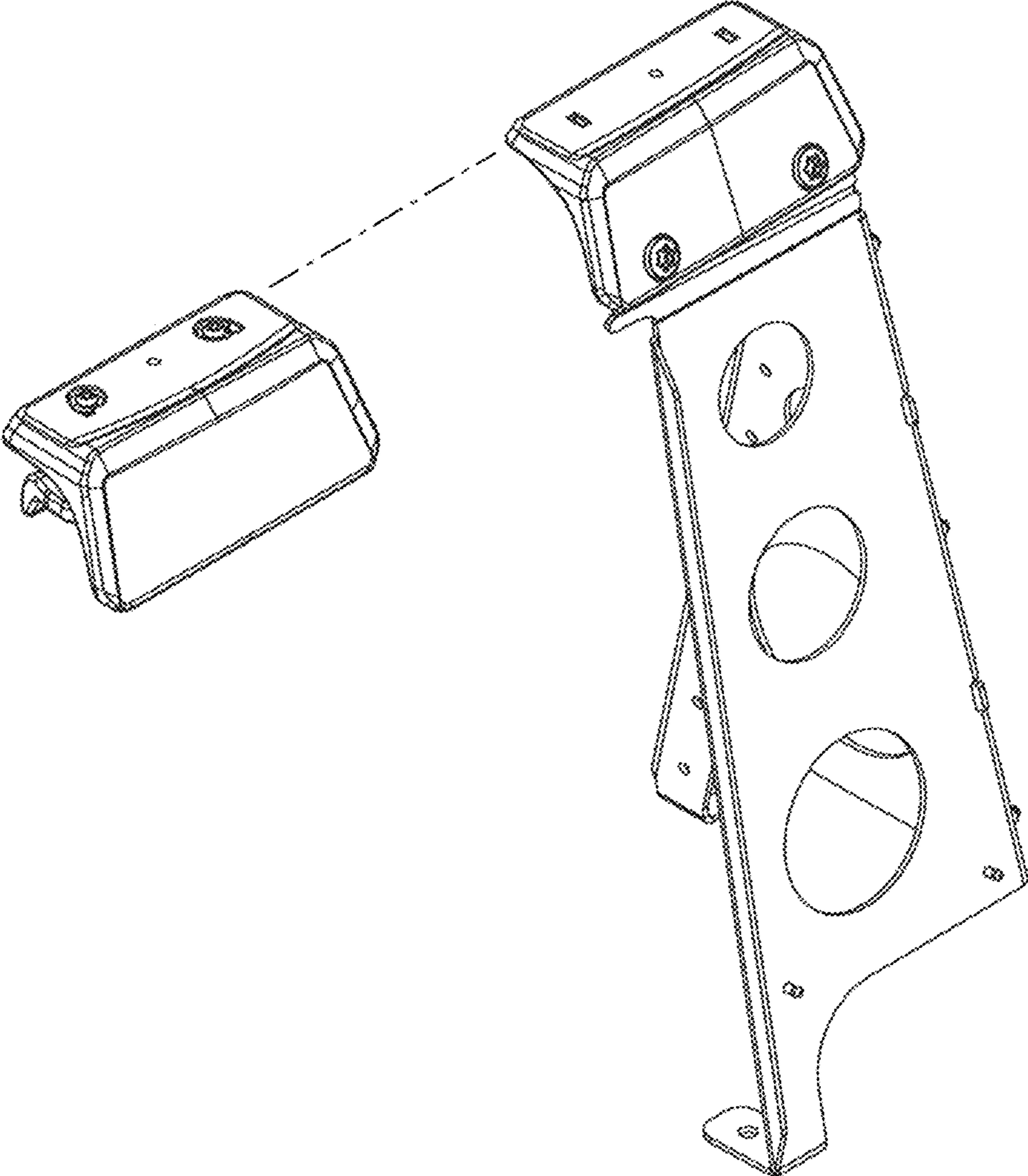


FIG. 10

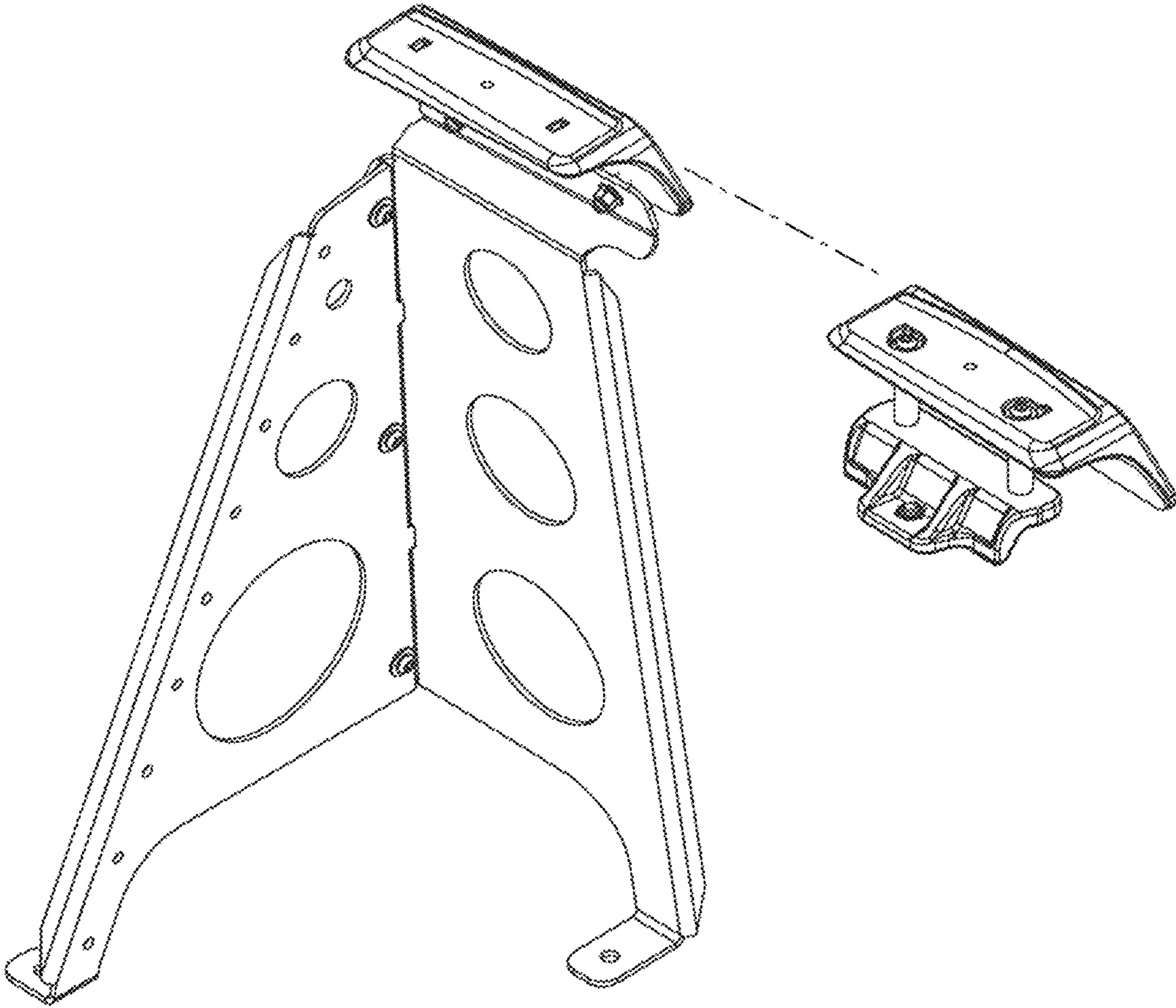


FIG. 11

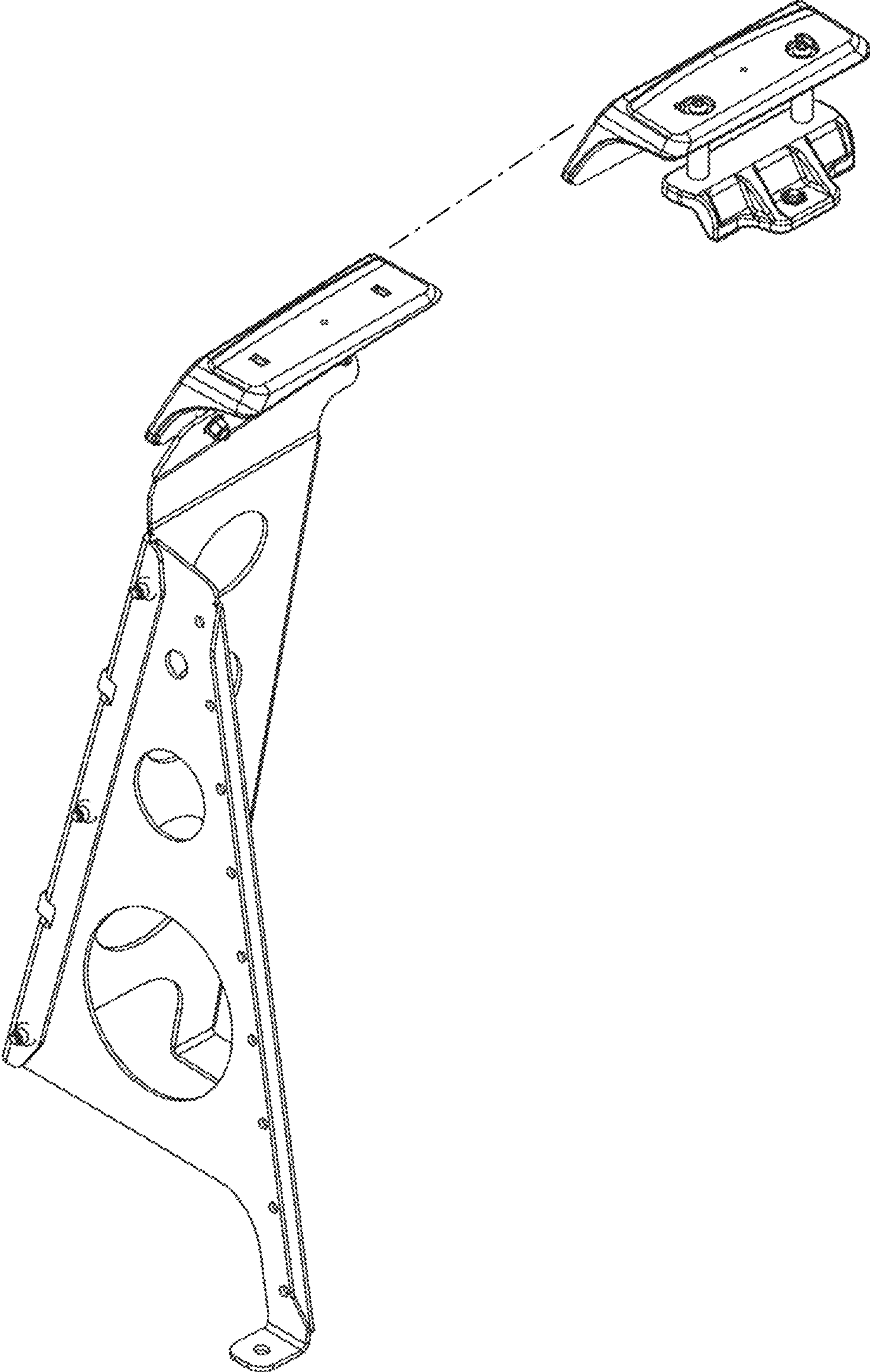


FIG. 12

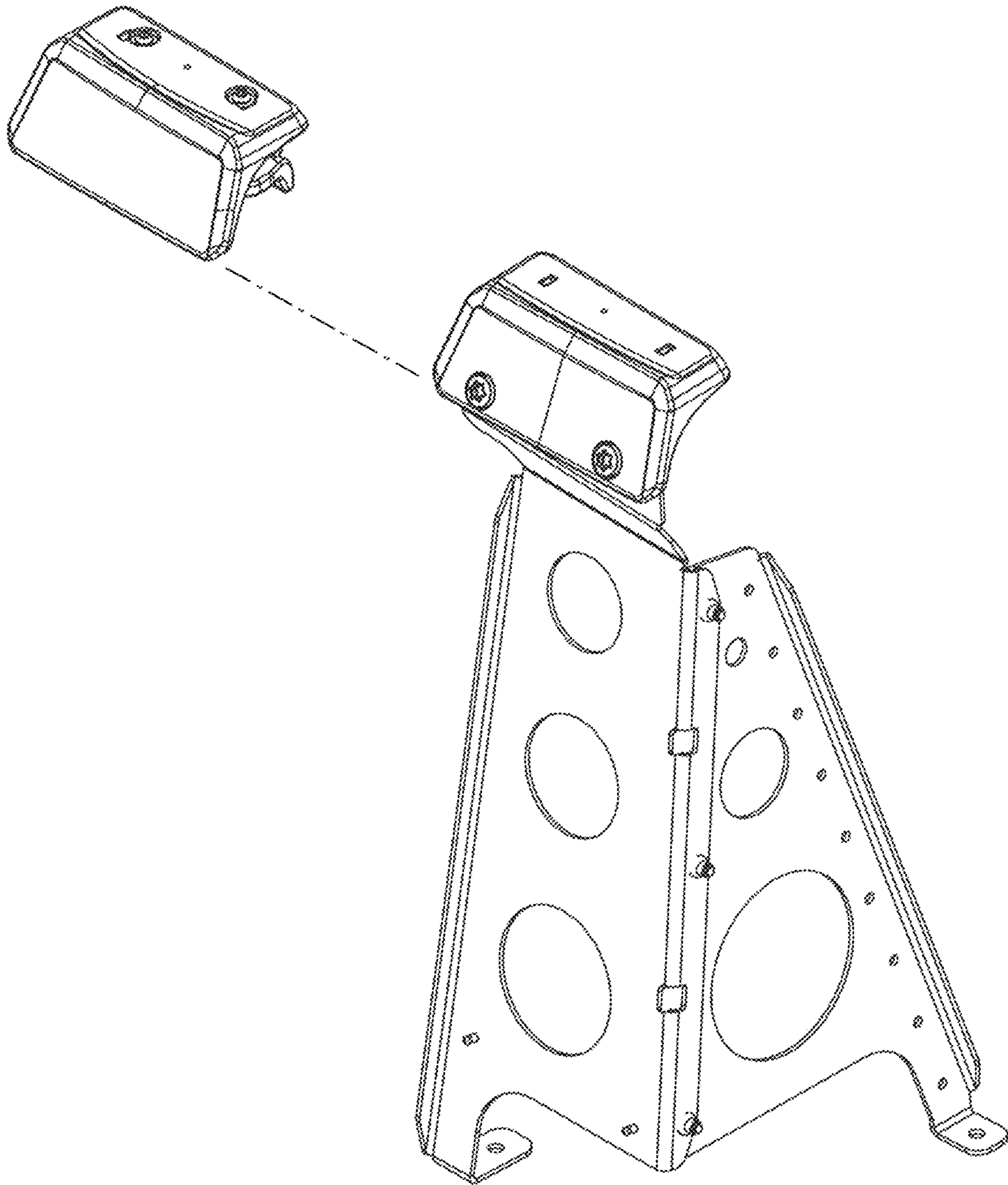


FIG.13

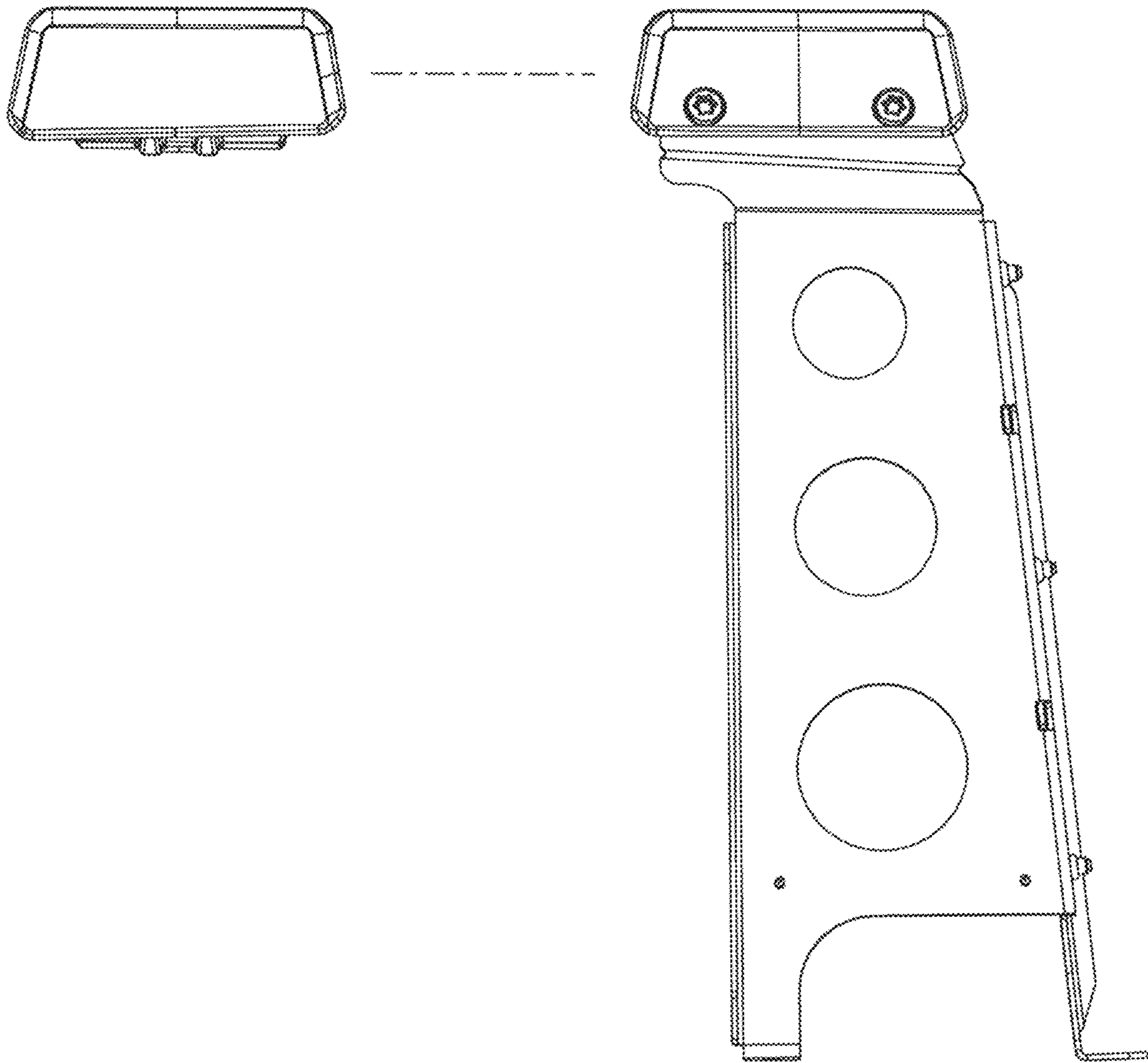


FIG.14

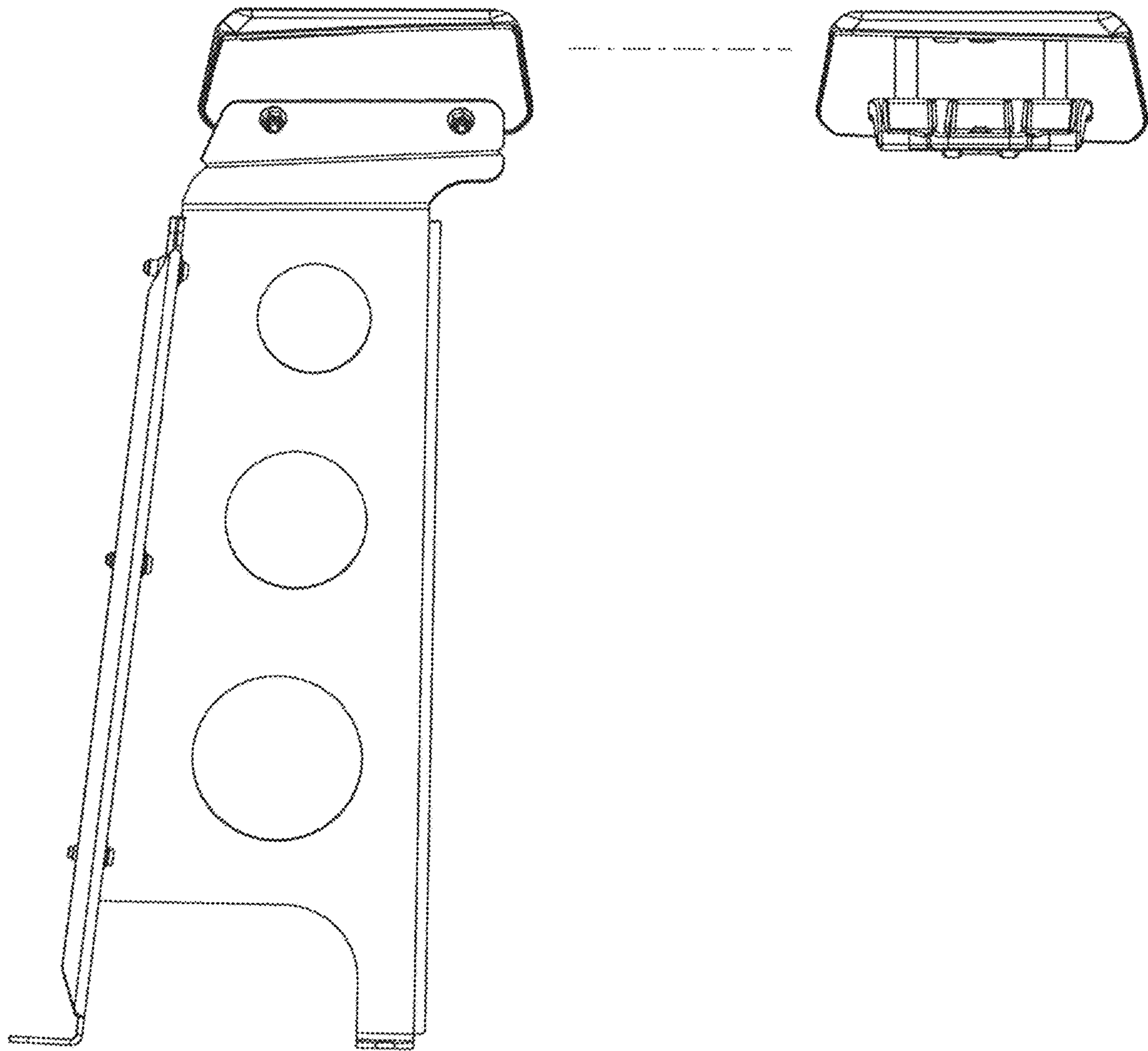


FIG.15

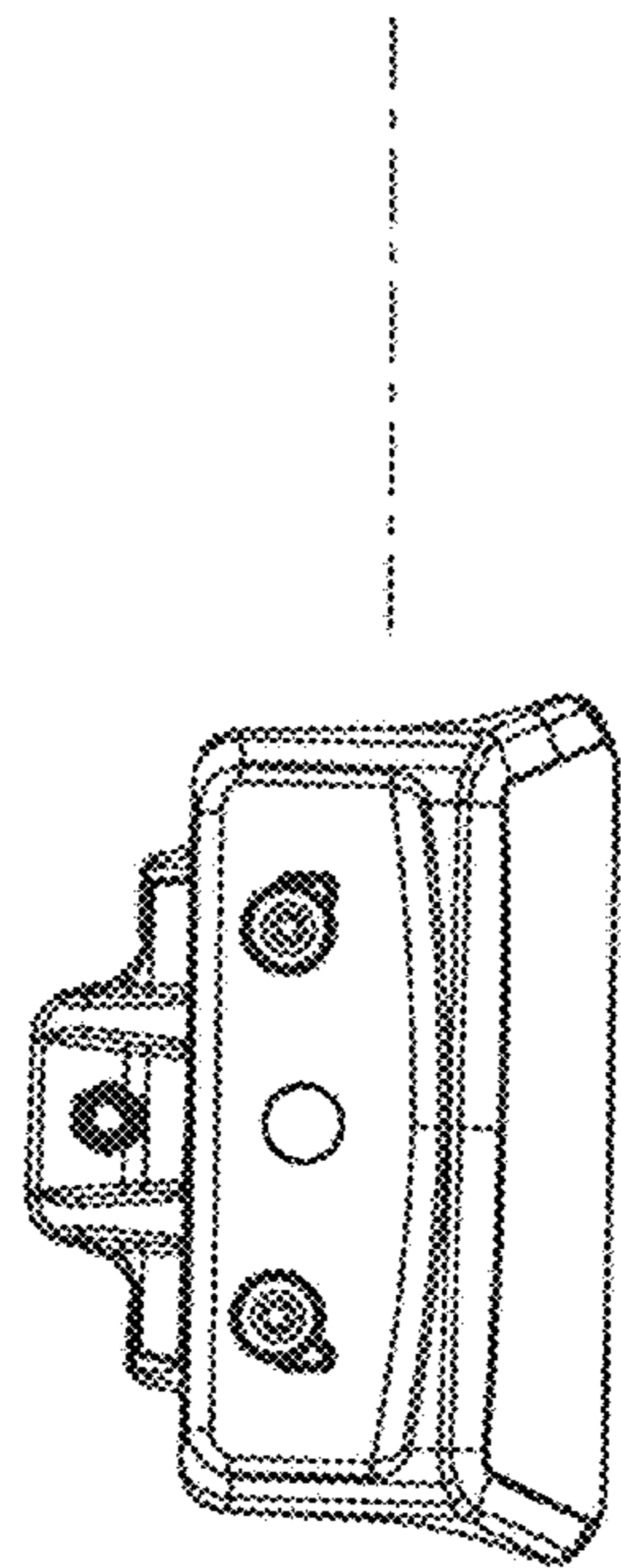
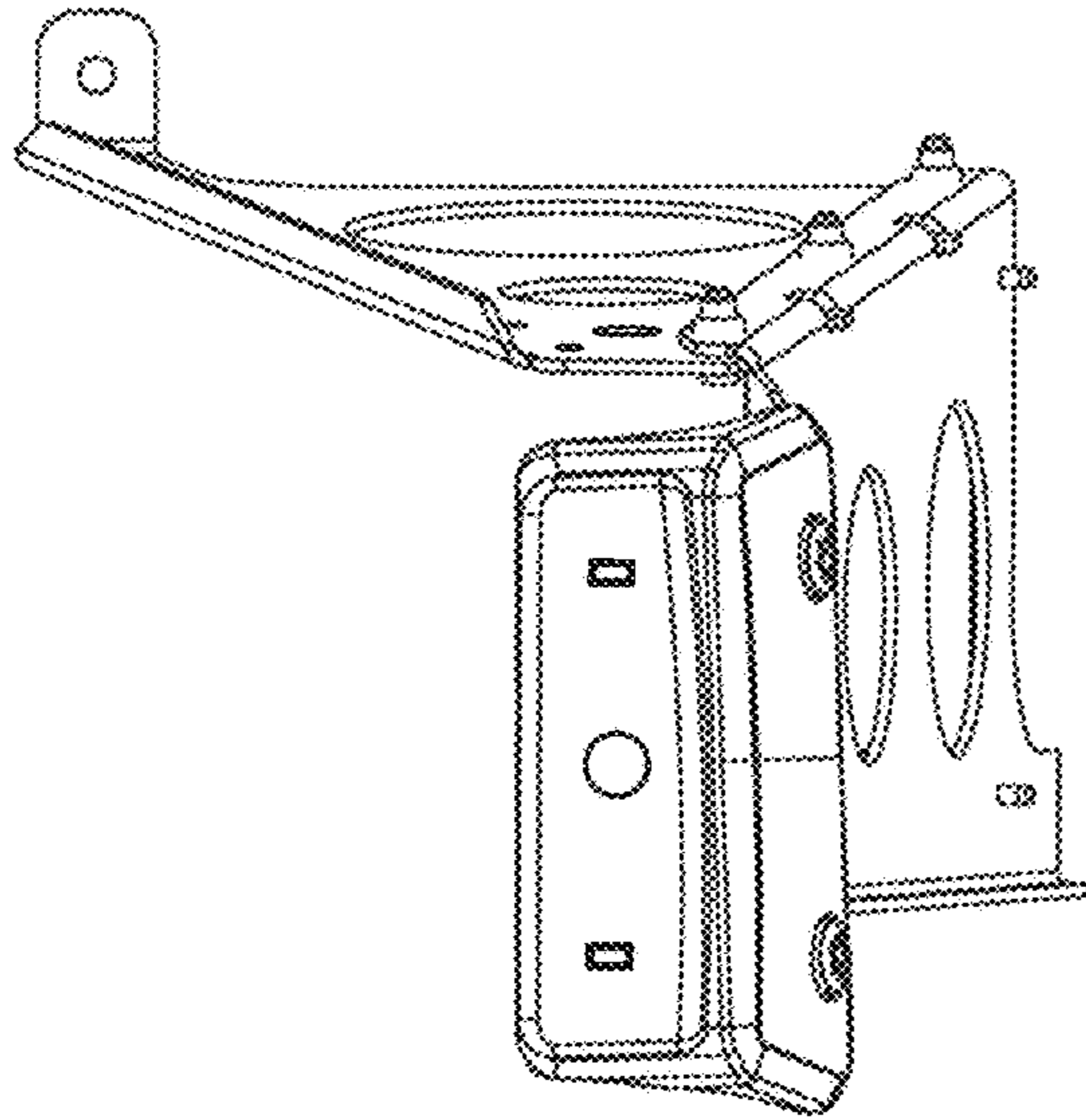


FIG.16

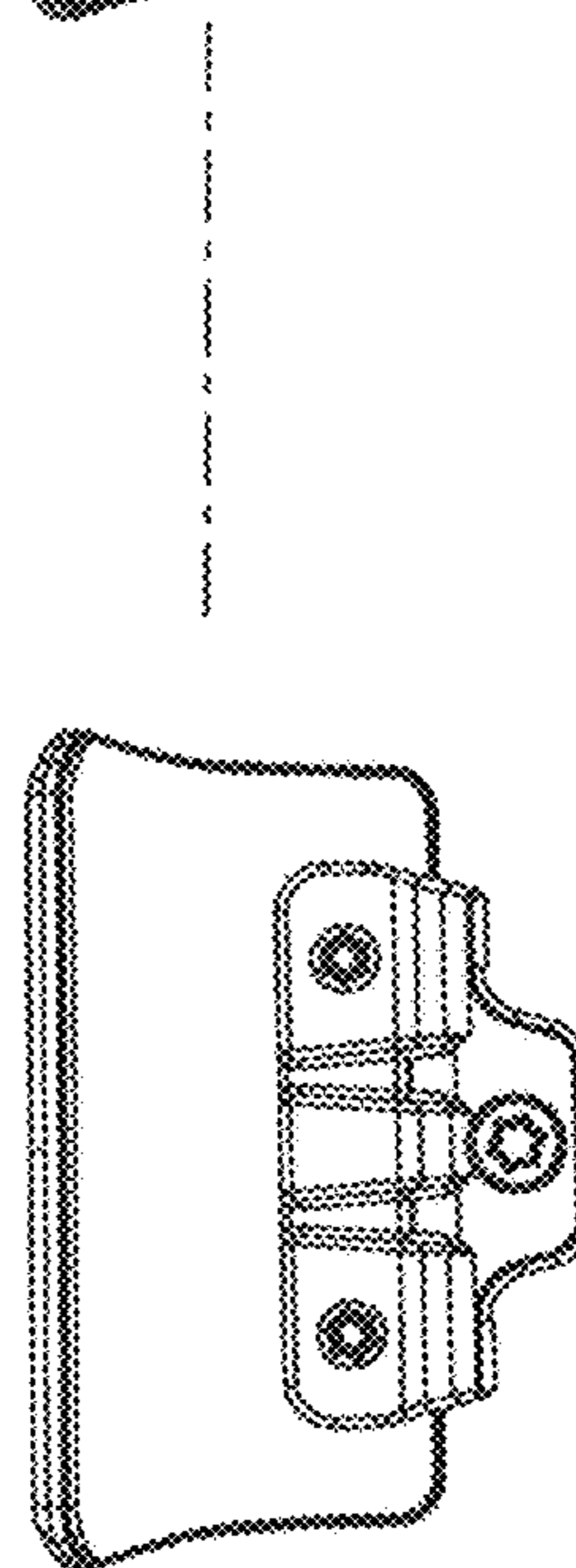
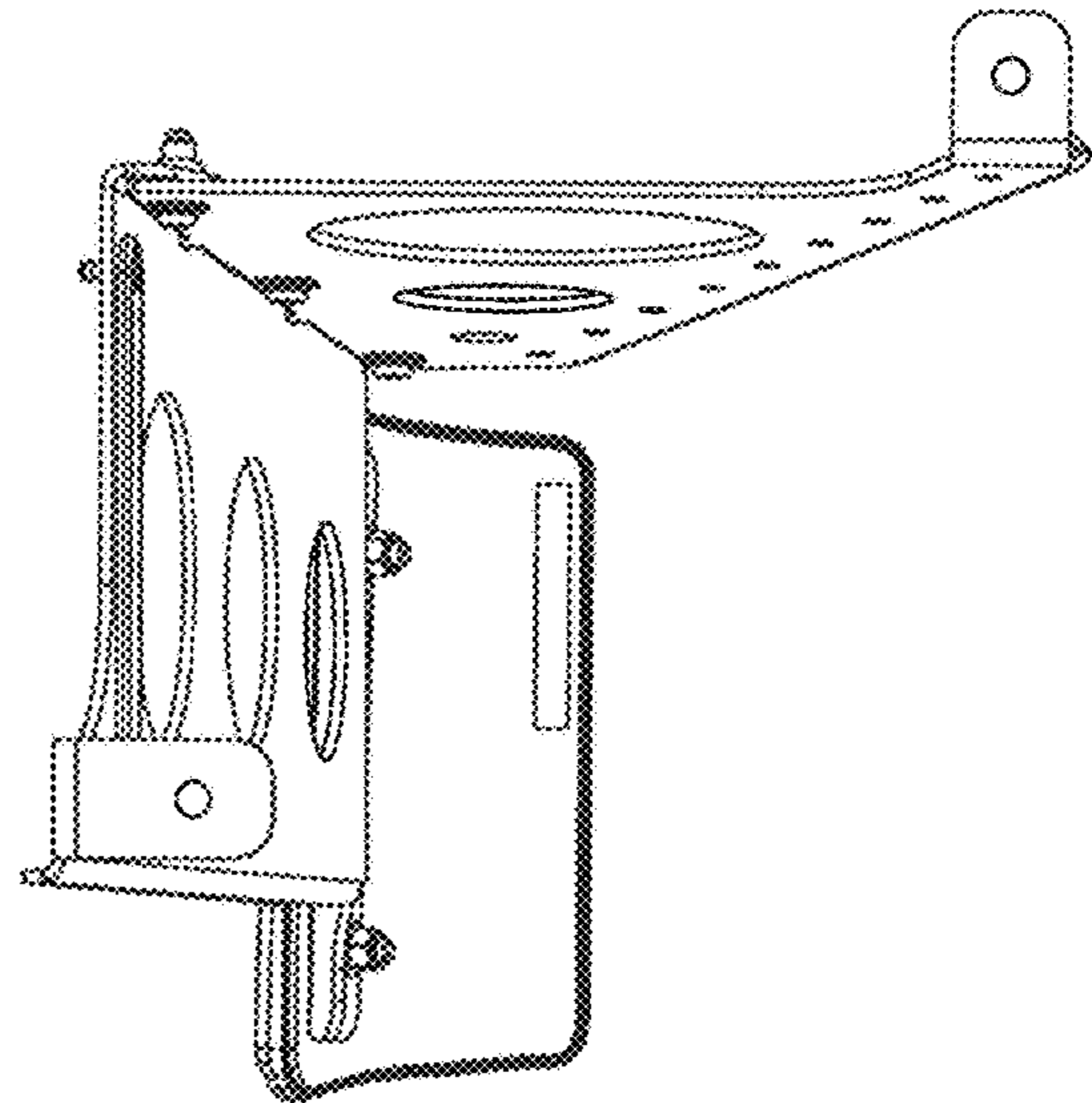


FIG.17

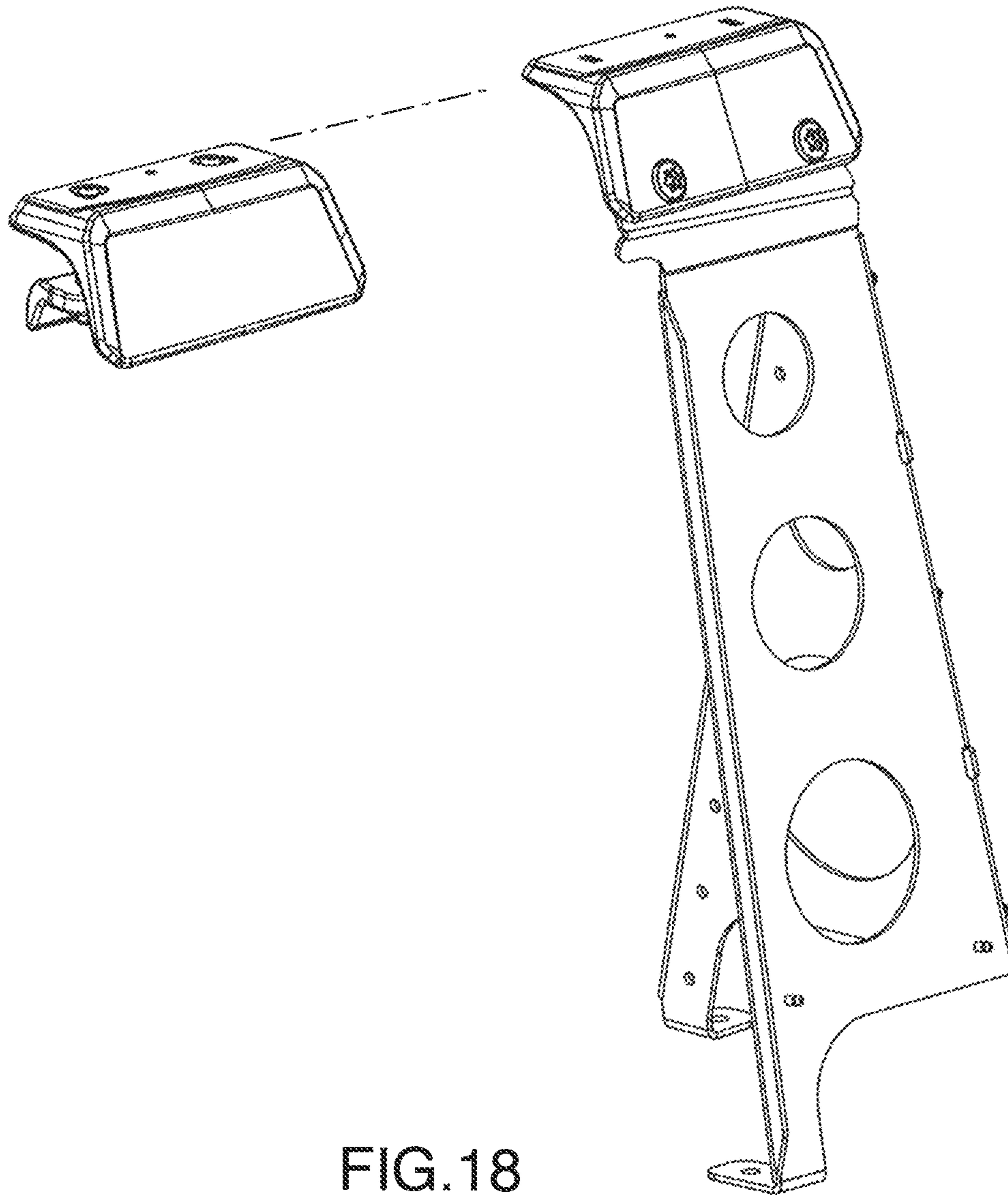


FIG.18

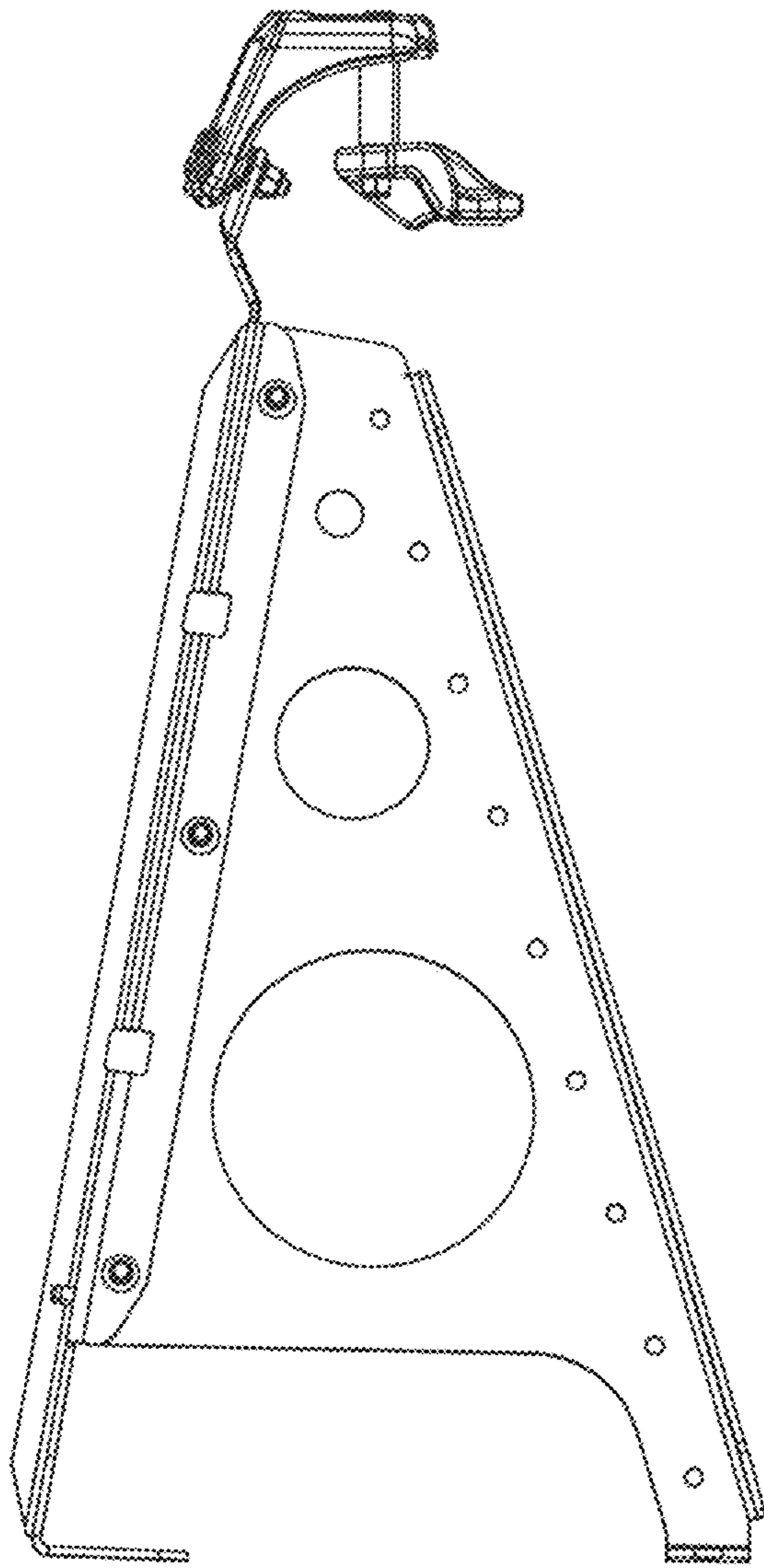


FIG.19

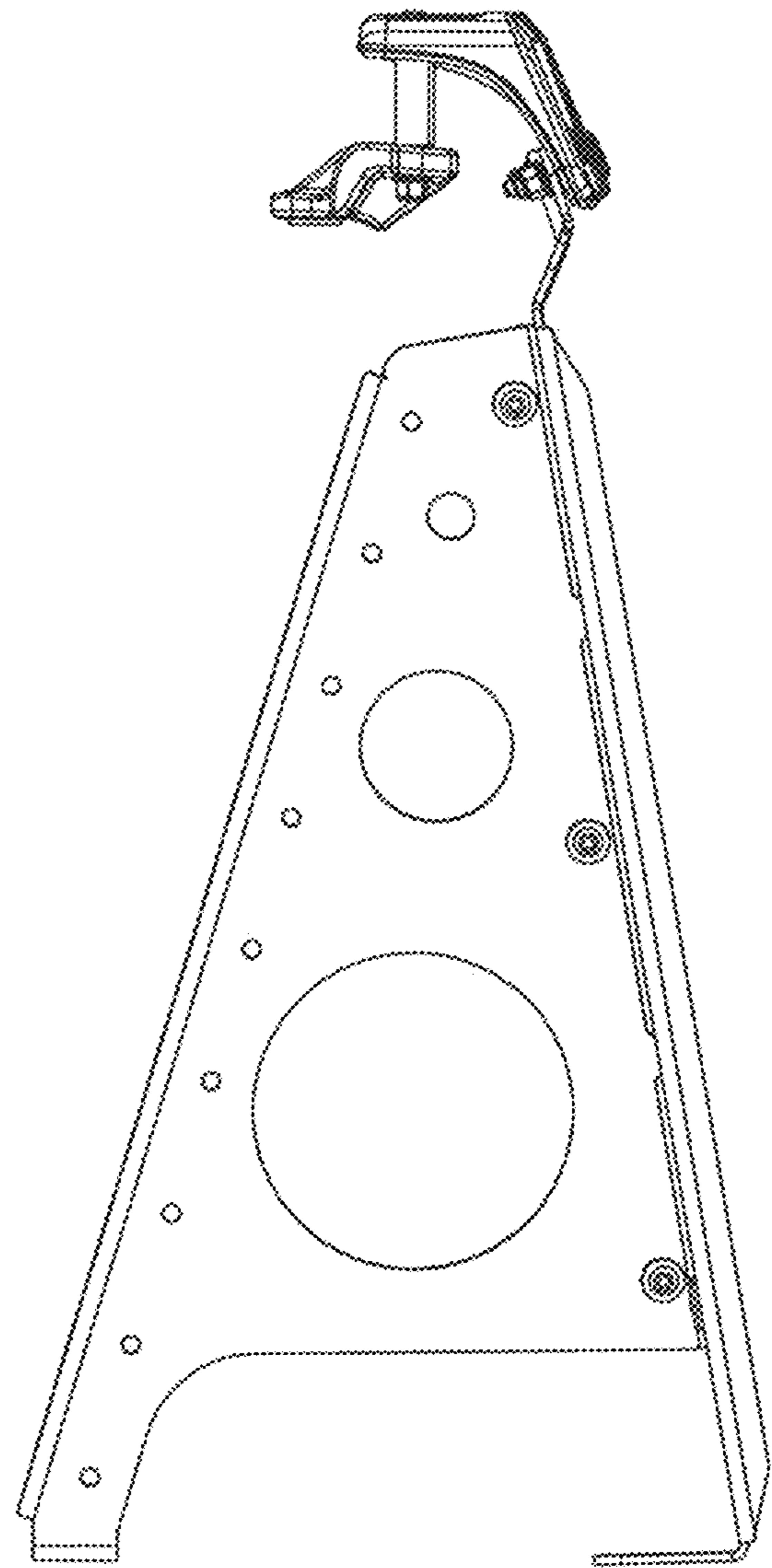


FIG.20

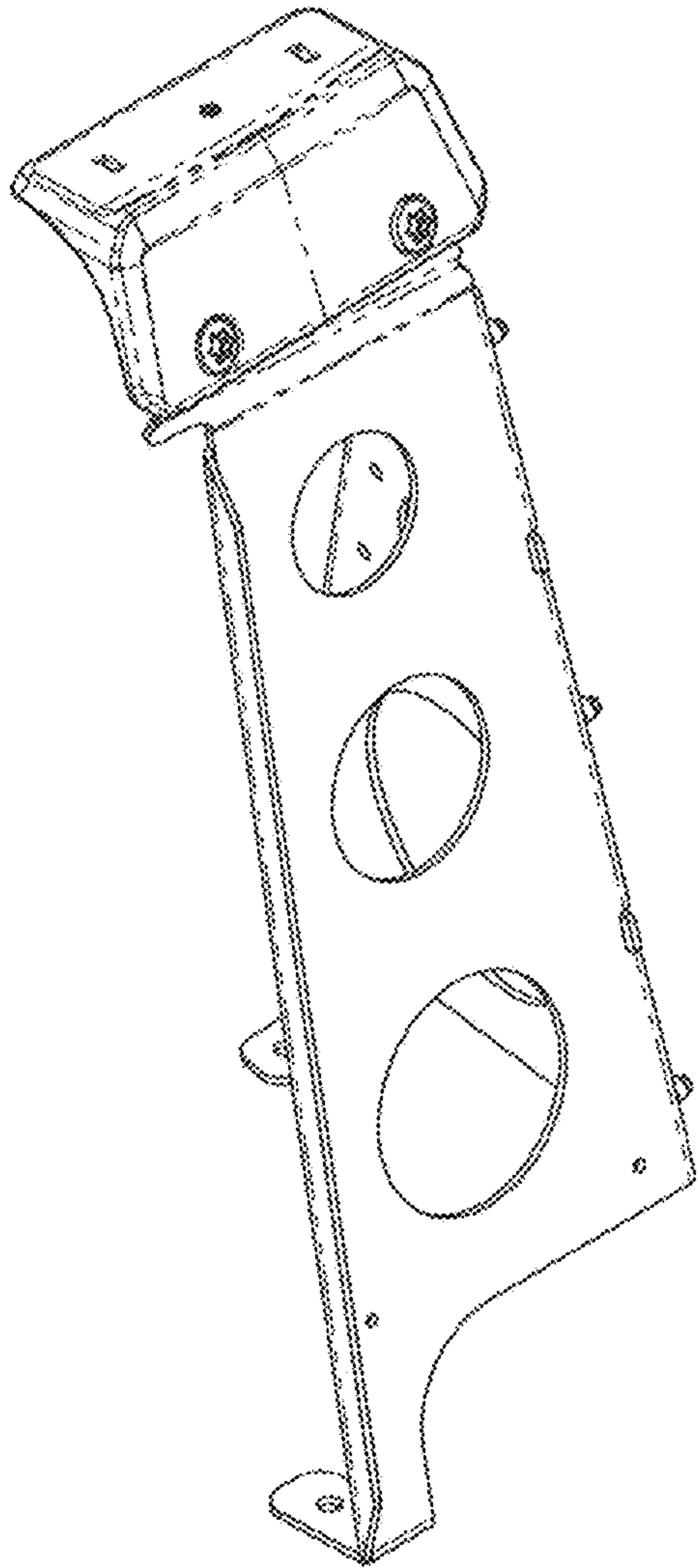


FIG. 21

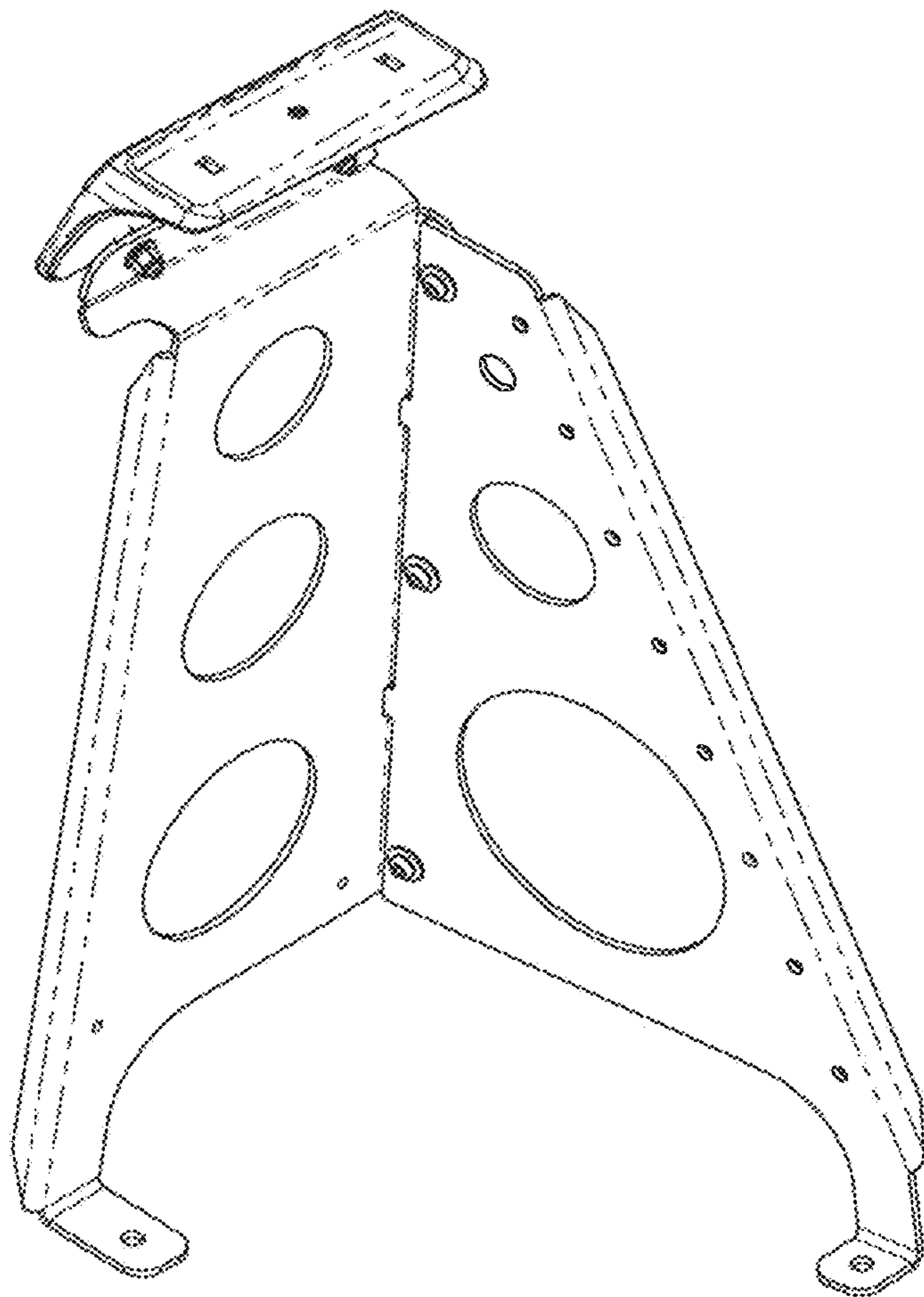


FIG. 22

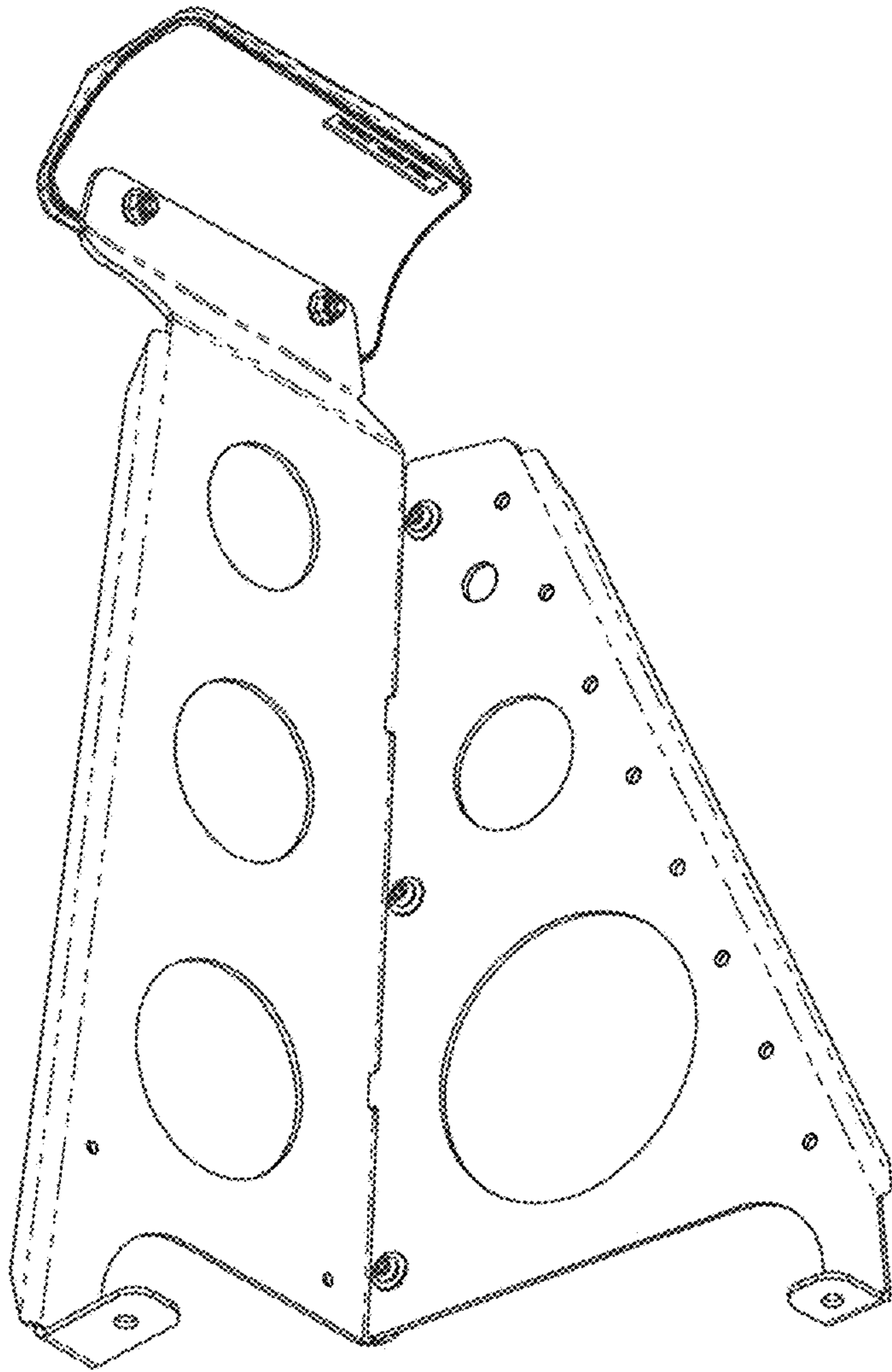


FIG. 23

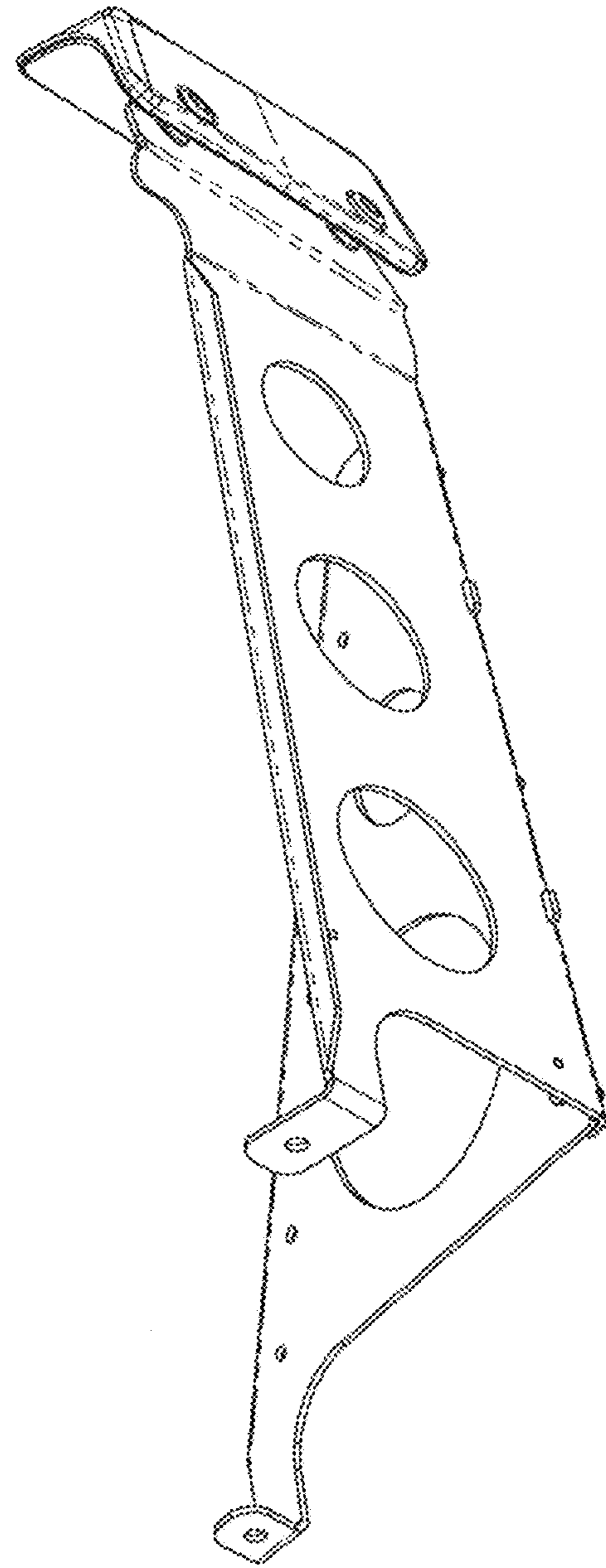


FIG. 24

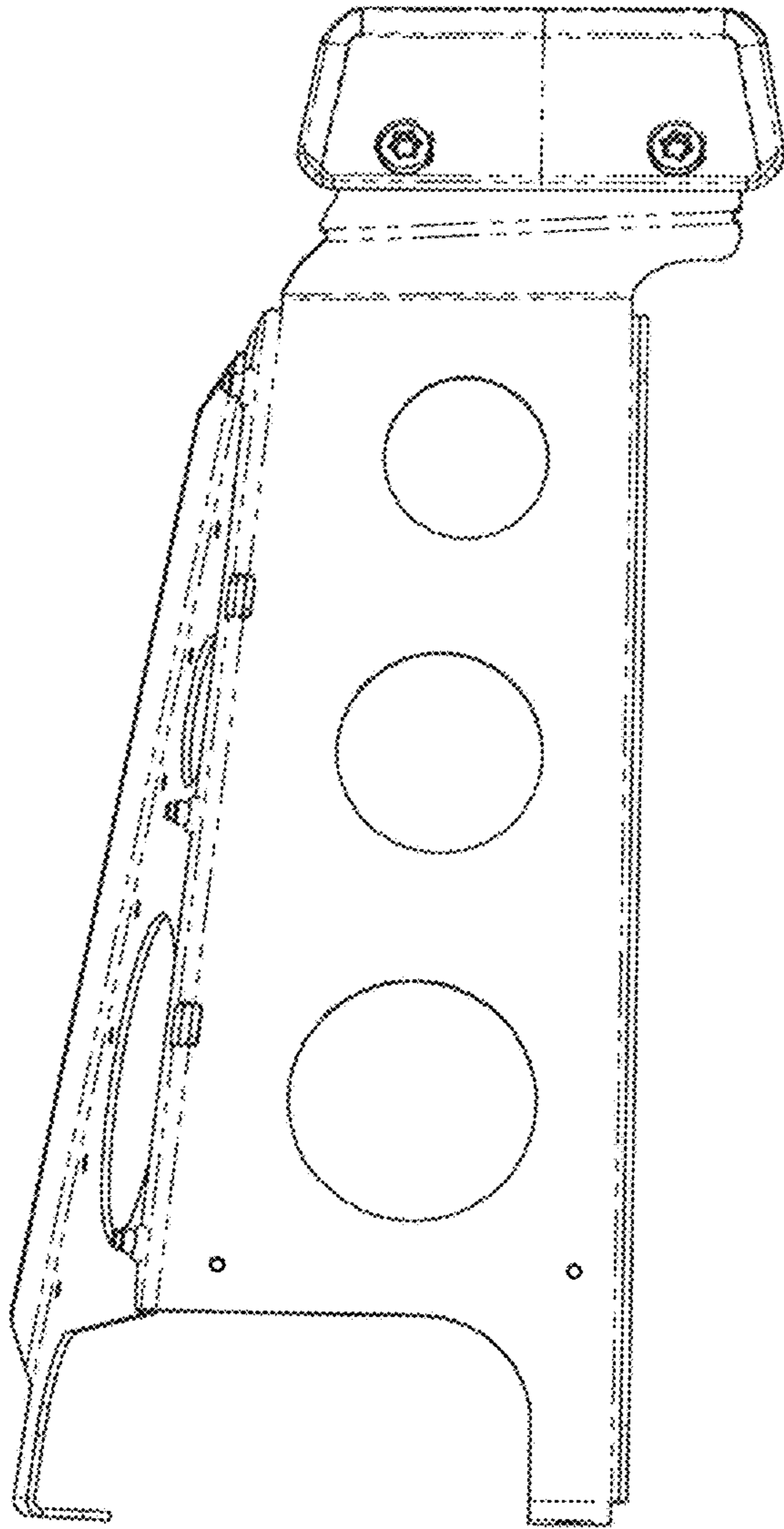


FIG. 25

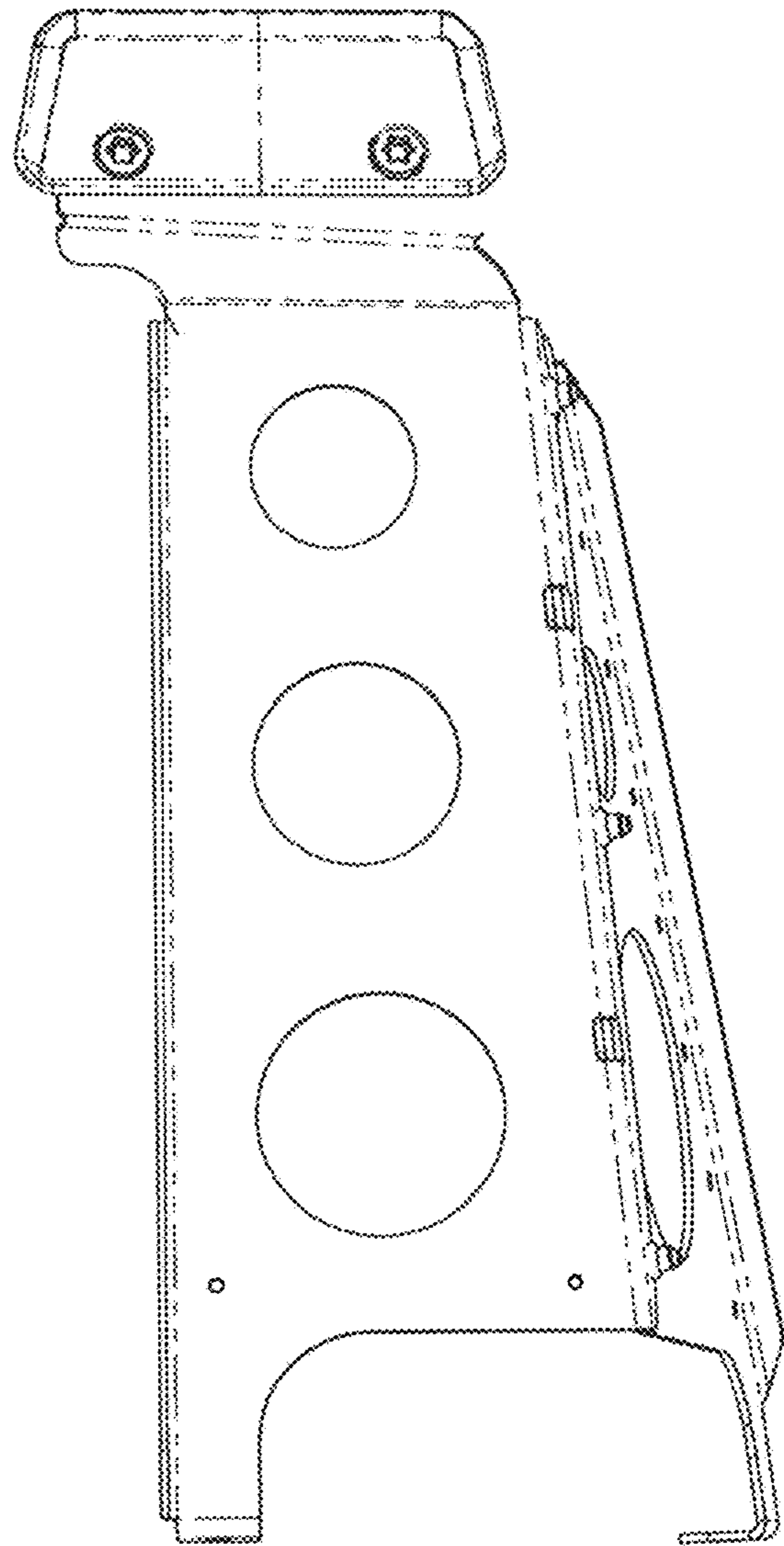


FIG. 26

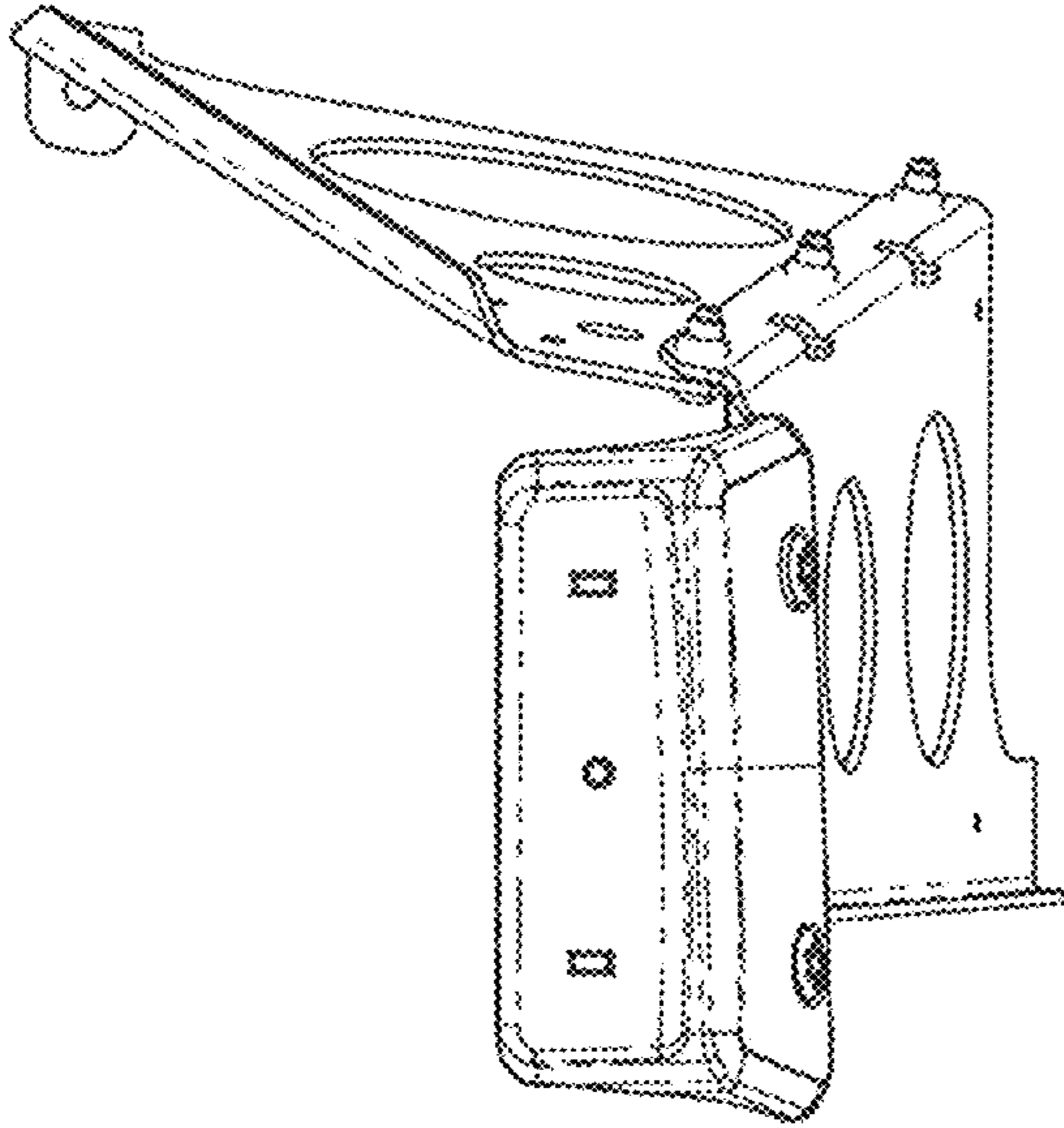


FIG. 27

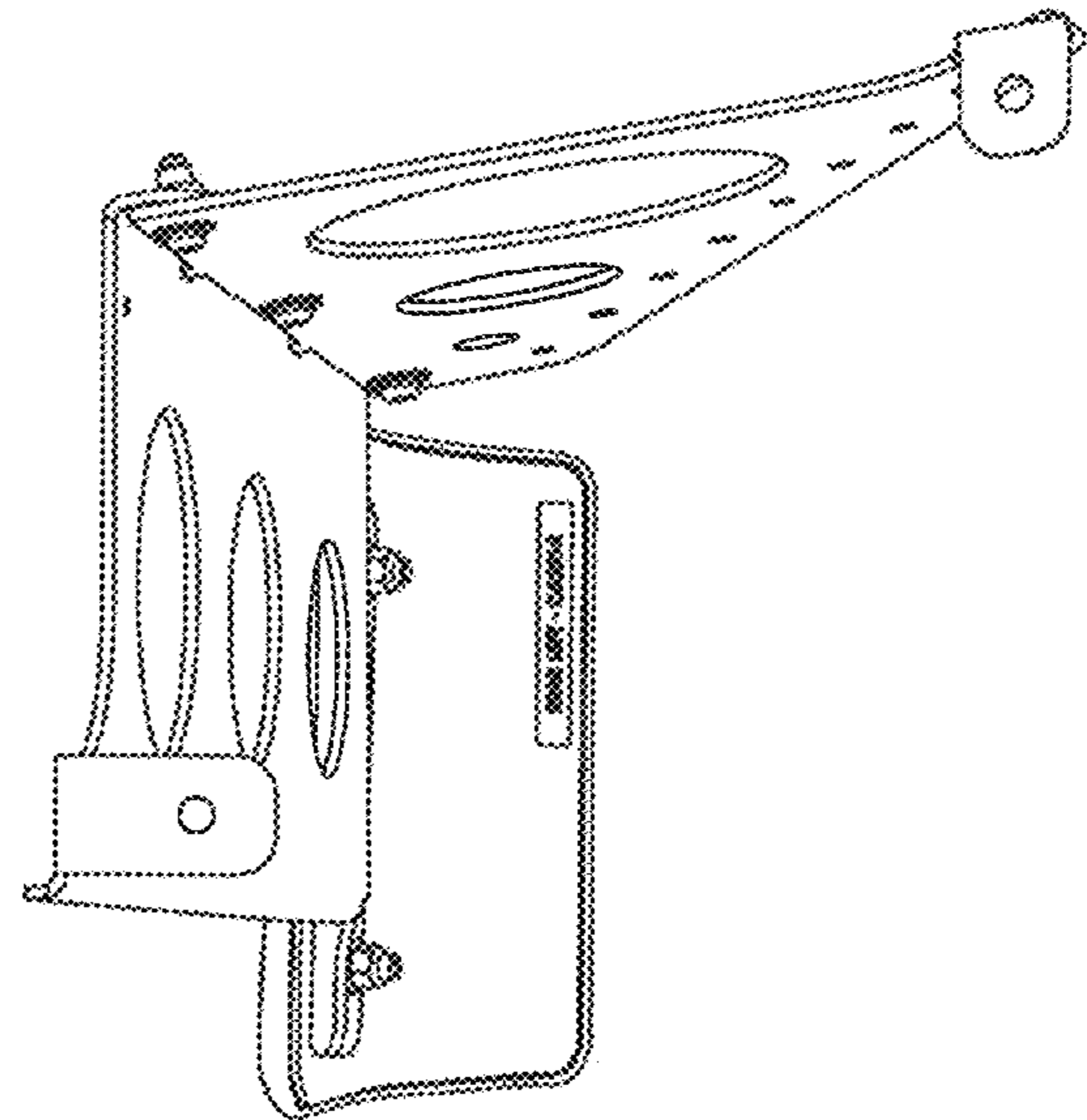


FIG. 28

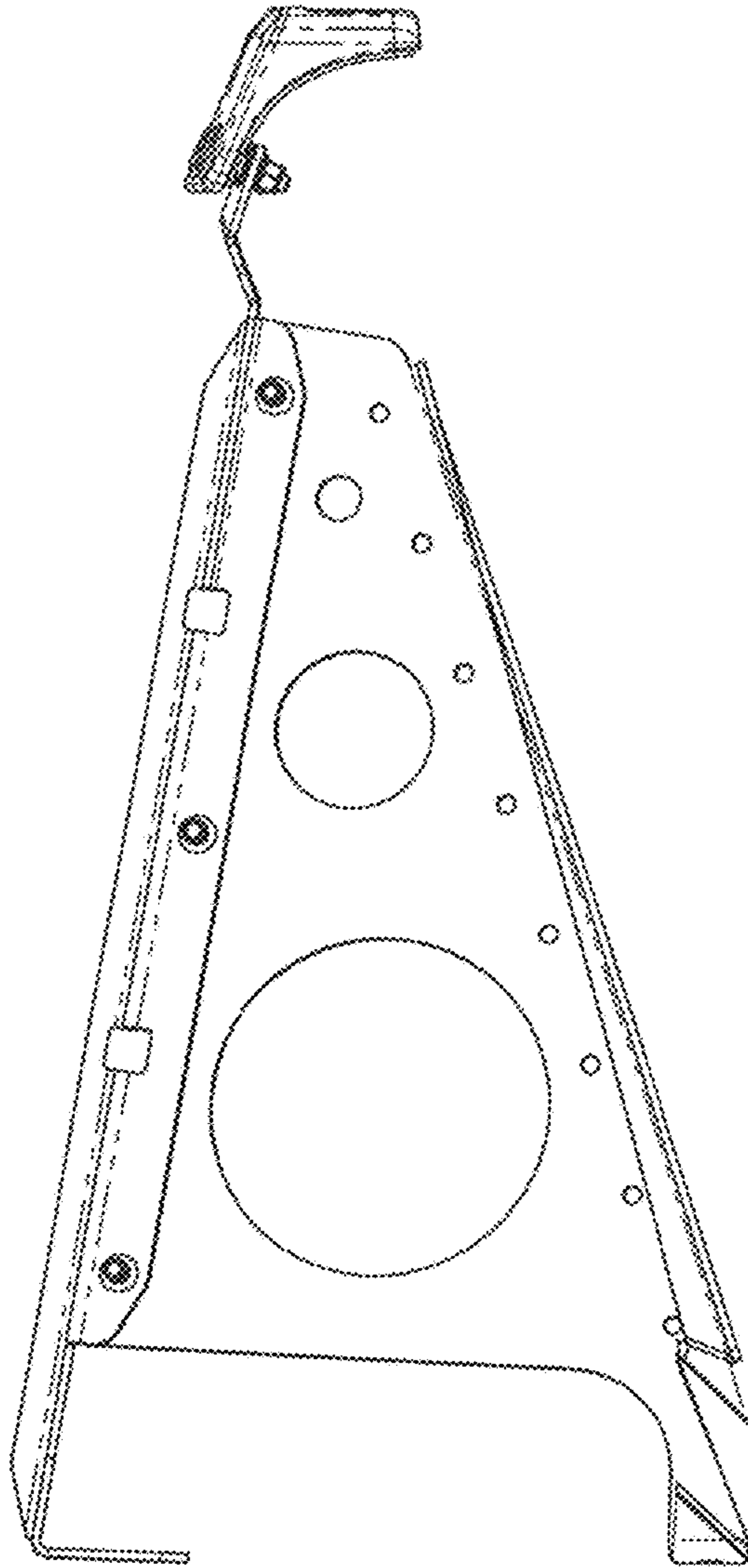


FIG. 29

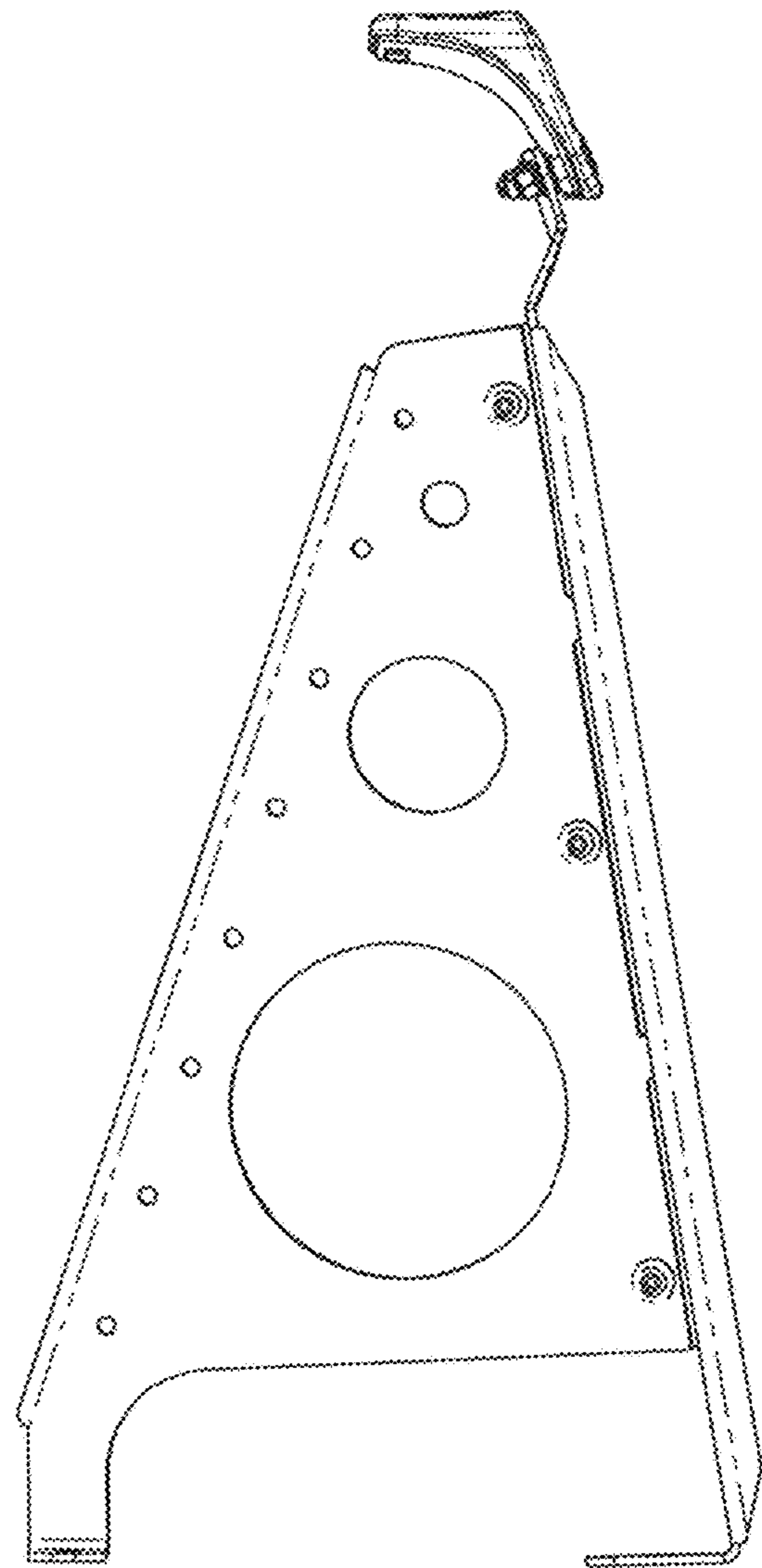


FIG. 30