



US00D964906S

(12) **United States Design Patent** (10) **Patent No.:** **US D964,906 S**
Lee (45) **Date of Patent:** **** Sep. 27, 2022**

(54) **AUTOMOTIVE WHEEL**
(71) Applicant: **MKW Alloy, Inc.**, City of Industry, CA (US)
(72) Inventor: **Kevin Lee**, Yorba Linda, CA (US)
(73) Assignee: **MKW ALLOY, INC.**, City of Industry, CA (US)
(**) Term: **15 Years**
(21) Appl. No.: **29/745,243**
(22) Filed: **Aug. 4, 2020**
(51) **LOC (13) Cl.** **12-16**
(52) **U.S. Cl.**
USPC **D12/211**
(58) **Field of Classification Search**
USPC D12/204–213; D21/563
CPC B60B 7/00; B60B 7/02; B60B 7/04; B60B 7/01; B60B 7/06; B60B 3/02; B60B 3/04; B60B 3/06; B60B 3/10; B60B 1/00; B60B 1/08; B60B 1/10; B60B 1/12
See application file for complete search history.

D842,188 S * 3/2019 Han D12/209
D848,921 S * 5/2019 Lickliter D12/209
D853,294 S * 7/2019 Han D12/209
D854,996 S * 7/2019 Chung D12/209
D860,100 S * 9/2019 Groth D12/209
D860,902 S * 9/2019 Yeh D12/209
D865,622 S * 11/2019 Han D12/209
D865,626 S * 11/2019 Han D12/209
D870,010 S * 12/2019 Hahn D12/209
D871,295 S * 12/2019 Han D12/209
D880,399 S * 4/2020 Yoshida D12/211
D881,100 S * 4/2020 Liu D12/209
D887,942 S * 6/2020 Han D12/209
D897,927 S * 10/2020 Langhals D12/211
D900,699 S * 11/2020 Widua D12/209
D913,891 S * 3/2021 Lee D12/209
D917,363 S * 4/2021 Aydin D12/209

(Continued)

FOREIGN PATENT DOCUMENTS

JP D1631090 * 5/2019

OTHER PUBLICATIONS

MKW R980 <https://www.mkwwheels.com/page.cfm?t=2016-catalog&id=5> 2016 (Year: 2016).*

Primary Examiner — Leanne Was-Englehart
(74) *Attorney, Agent, or Firm* — Ahn IP Law

(56) **References Cited**

U.S. PATENT DOCUMENTS

D541,202 S * 4/2007 Baumgartner D12/211
D606,922 S * 12/2009 Thorsten D12/211
D622,196 S * 8/2010 Gallert D12/209
D622,199 S * 8/2010 Gallert D12/211
D727,827 S * 4/2015 Chung D12/211
D735,630 S * 8/2015 Swanseger D12/209
D757,627 S * 5/2016 Chung D12/211
D758,941 S * 6/2016 Zhao D12/208
D778,223 S * 2/2017 Chu D12/211
D784,238 S * 4/2017 Chu D12/211
D787,408 S * 5/2017 Alfonso D12/211
D825,426 S * 8/2018 Myrberg D12/209
D829,630 S * 10/2018 Chung D12/209
D830,934 S * 10/2018 Zhao D12/209

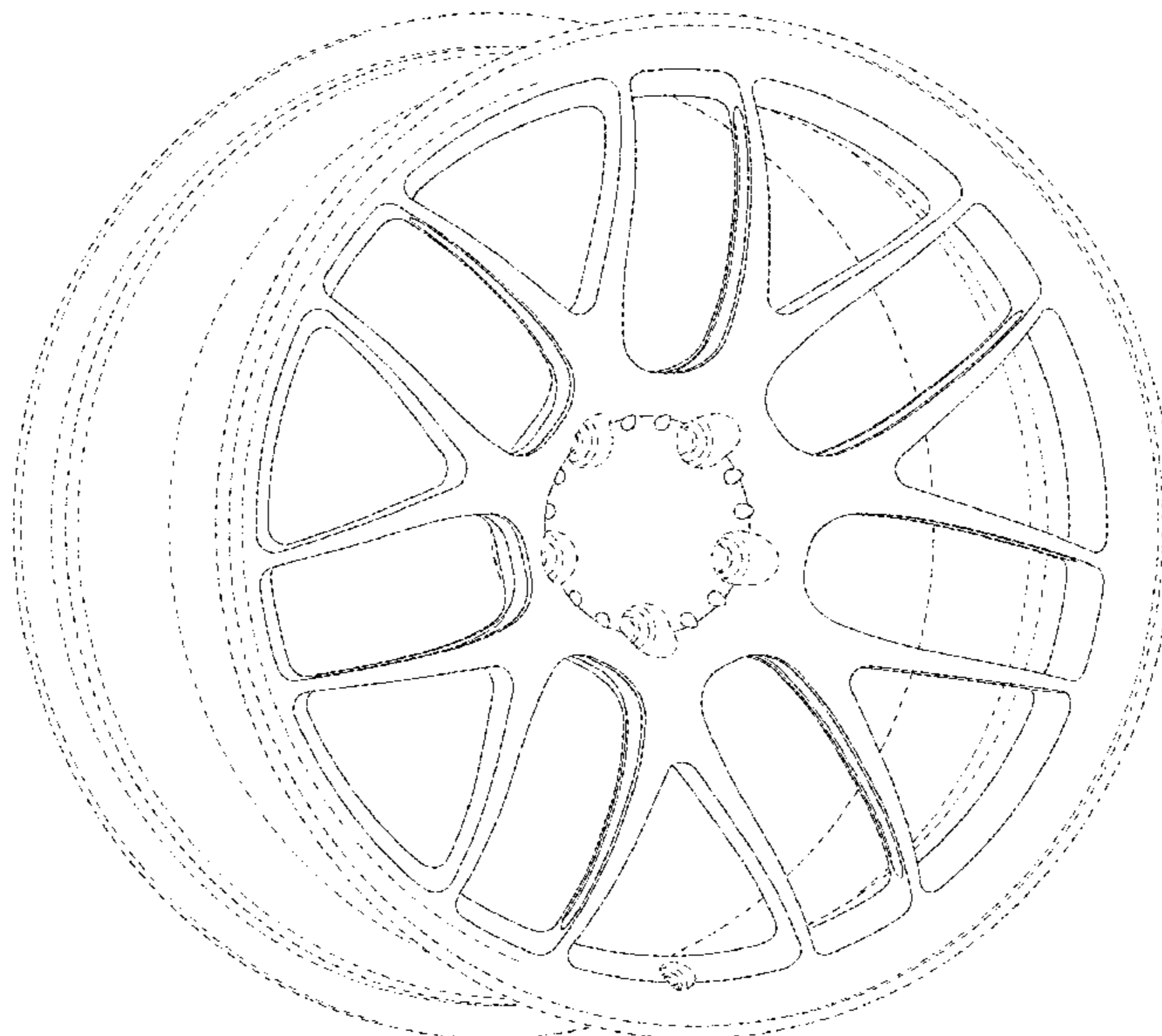
(57) **CLAIM**

The ornamental design for an automotive wheel, as shown and described.

DESCRIPTION

FIG. 1 is a perspective view of an automotive wheel, showing my new design; and, FIG. 2 is a front view thereof. In the drawings, the broken lines depict portions of the wheel that form no part of the claimed design.

1 Claim, 2 Drawing Sheets



(56)

References Cited

U.S. PATENT DOCUMENTS

D917,367 S * 4/2021 Krause D12/209
D921,556 S * 6/2021 Zhang D12/211

* cited by examiner

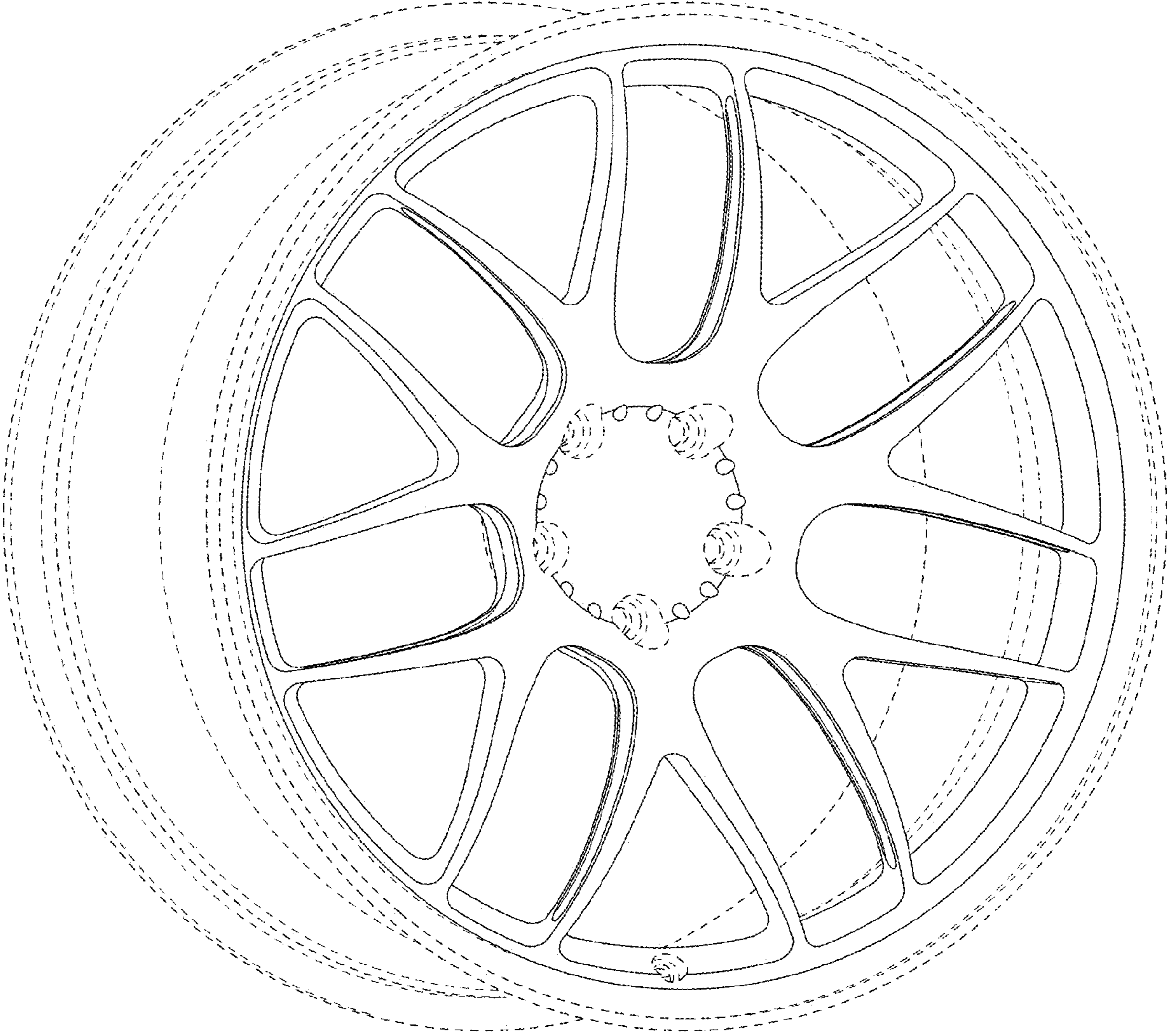


FIG. 1

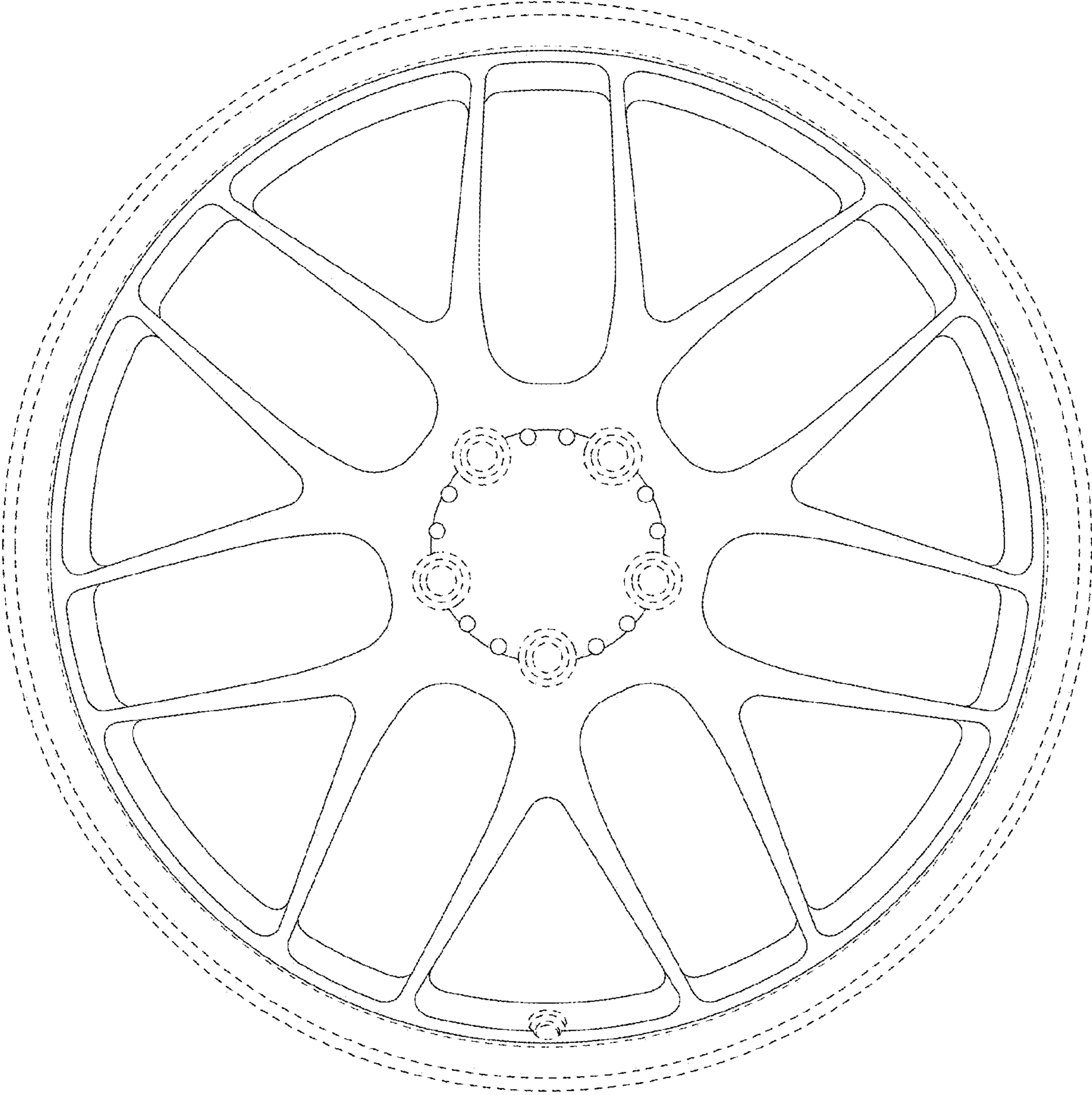


FIG. 2