

US00D964903S

(12) **United States Design Patent** (10) **Patent No.:** **US D964,903 S**  
**Yeh** (45) **Date of Patent:** **\*\* Sep. 27, 2022**

(54) **FRONT BUMPER OF VEHICLE**  
(71) Applicant: **Chun-Hung Yeh**, Taiwan (CN)  
(72) Inventor: **Chun-Hung Yeh**, Taiwan (CN)  
(\*\*) Term: **15 Years**  
(21) Appl. No.: **29/805,748**  
(22) Filed: **Aug. 30, 2021**  
(51) **LOC (13) Cl.** ..... **12-16**  
(52) **U.S. Cl.**  
USPC ..... **D12/169**  
(58) **Field of Classification Search**  
USPC ..... D12/82, 85, 86, 88, 89, 90, 91, 92, 93,  
D12/94, 96, 98, 99, 163, 164, 165, 166,  
D12/167, 169, 170, 171, 172, 173, 181,  
D12/184, 190, 196; D21/533, 548, 552,  
D21/561  
CPC ..... B60R 19/00; B60R 19/02; B60R 19/04;  
B60R 19/18; B60R 19/24; B60R 19/26;  
B60R 19/44; B60R 19/48; B60R 19/52;  
B60R 2019/007; B60R 2019/026; B60R  
2019/525; B60R 2019/527; B60R  
2019/1813; B60R 2019/1833; B60R  
2019/1886; B62D 25/08; B62D 35/00;  
B62D 35/02  
See application file for complete search history.

D754,575 S \* 4/2016 Varga ..... D12/169  
D760,127 S \* 6/2016 Yamamoto ..... D12/169  
D766,785 S \* 9/2016 Varga ..... D12/169  
D773,357 S \* 12/2016 Yamashita ..... D12/169  
D775,009 S \* 12/2016 Baum ..... D12/169  
D856,864 S \* 8/2019 Kapitonov ..... D12/169  
D861,554 S \* 10/2019 Schmölz ..... D12/169  
D933,549 S \* 10/2021 Fischer ..... D12/169  
D947,727 S \* 4/2022 Chen ..... D12/169

**FOREIGN PATENT DOCUMENTS**

CN 306459892 S 4/2021  
CN 306703750 S 7/2021  
HK 1702319.7 11/2017

\* cited by examiner

*Primary Examiner* — Cary M Robinson  
*Assistant Examiner* — Adam C Mager

(74) *Attorney, Agent, or Firm* — Wayne IP LLC

(57) **CLAIM**

The ornamental design for a front bumper of vehicle, as shown and described.

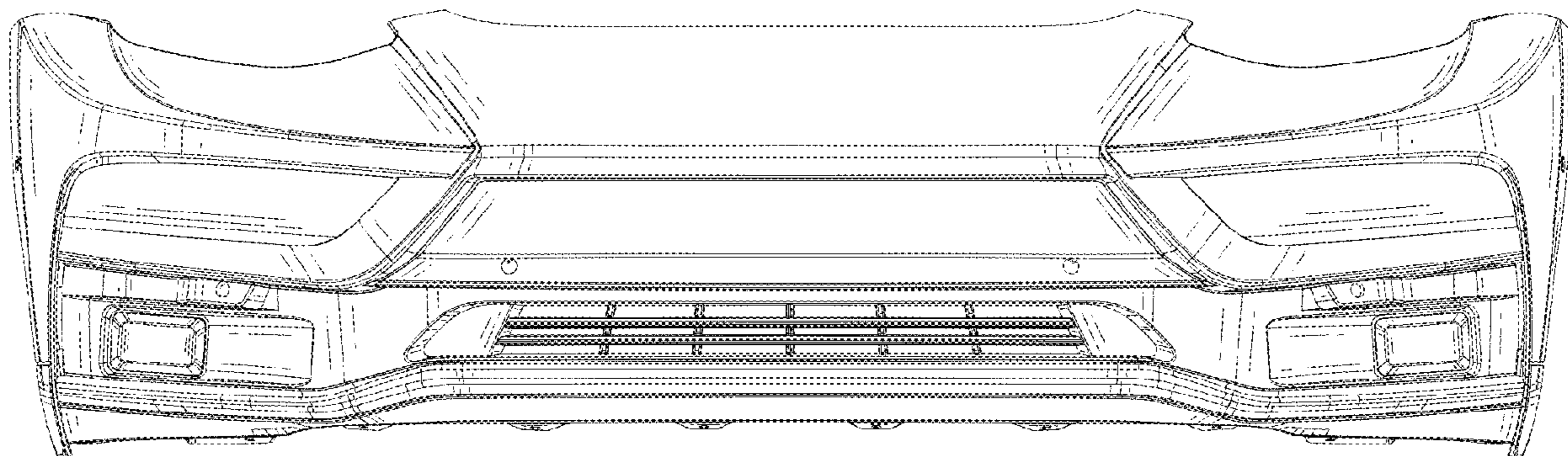
**DESCRIPTION**

FIG. 1 is a perspective view of a front bumper of vehicle showing our new design;  
FIG. 2 is a front view thereof;  
FIG. 3 is a back view thereof;  
FIG. 4 is an enlarged left view thereof;  
FIG. 5 is an enlarged right view thereof;  
FIG. 6 is a top view thereof; and,  
FIG. 7 is a bottom view thereof.  
The broken lines shown on the drawings depict portions of the front bumper of vehicle that form no part of the claimed design.

(56) **References Cited**  
U.S. PATENT DOCUMENTS

D502,675 S \* 3/2005 Ichinose ..... D12/169  
D682,754 S \* 5/2013 Robinson ..... D12/169  
D695,161 S \* 12/2013 Scheinhutte ..... D12/169  
D733,623 S \* 7/2015 Robinson ..... D12/169

**1 Claim, 7 Drawing Sheets**



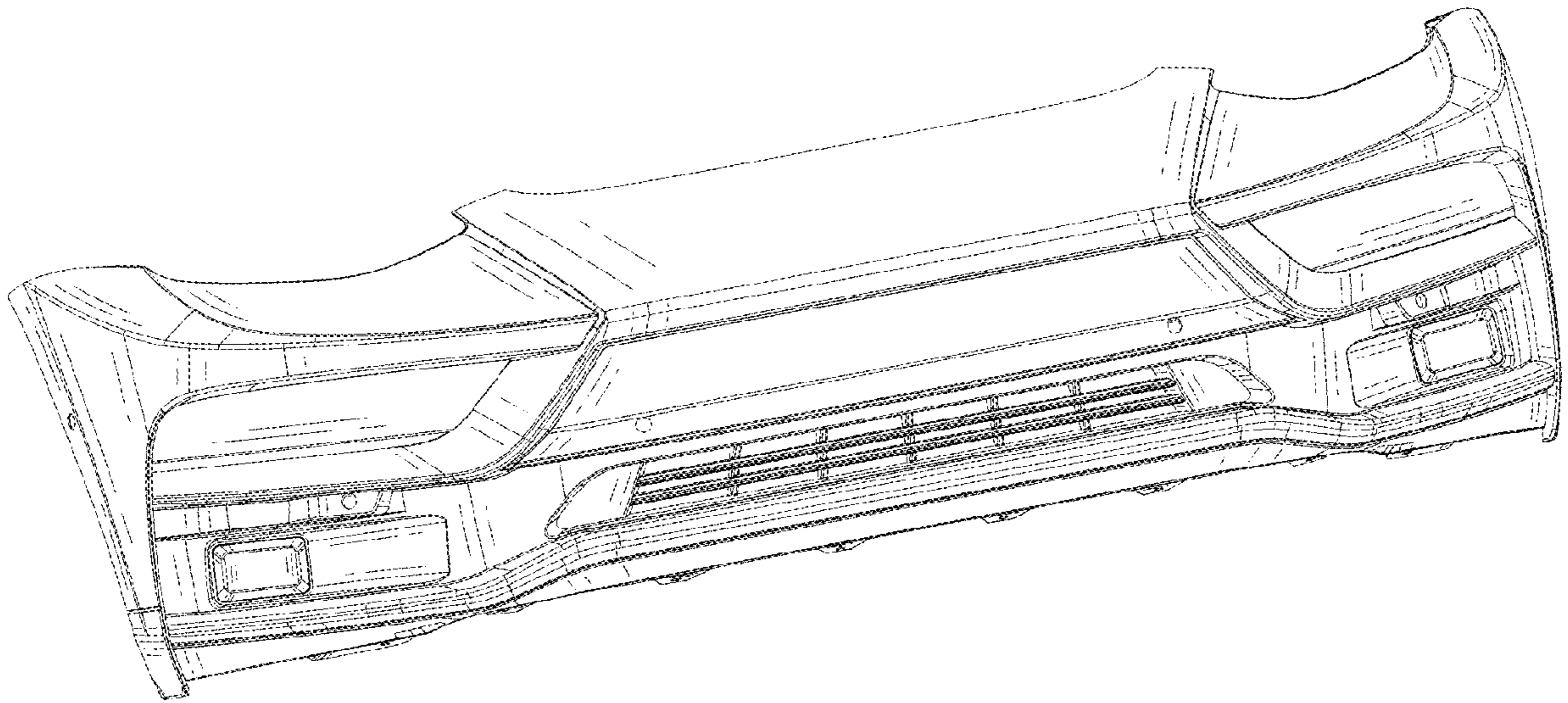


FIG. 1

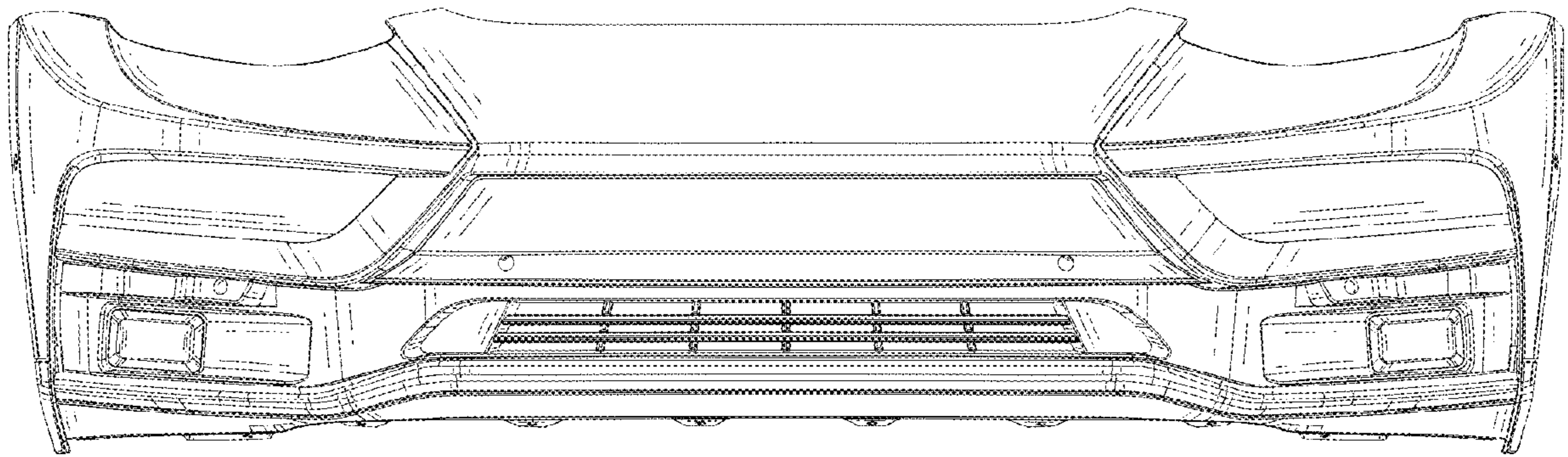


FIG. 2

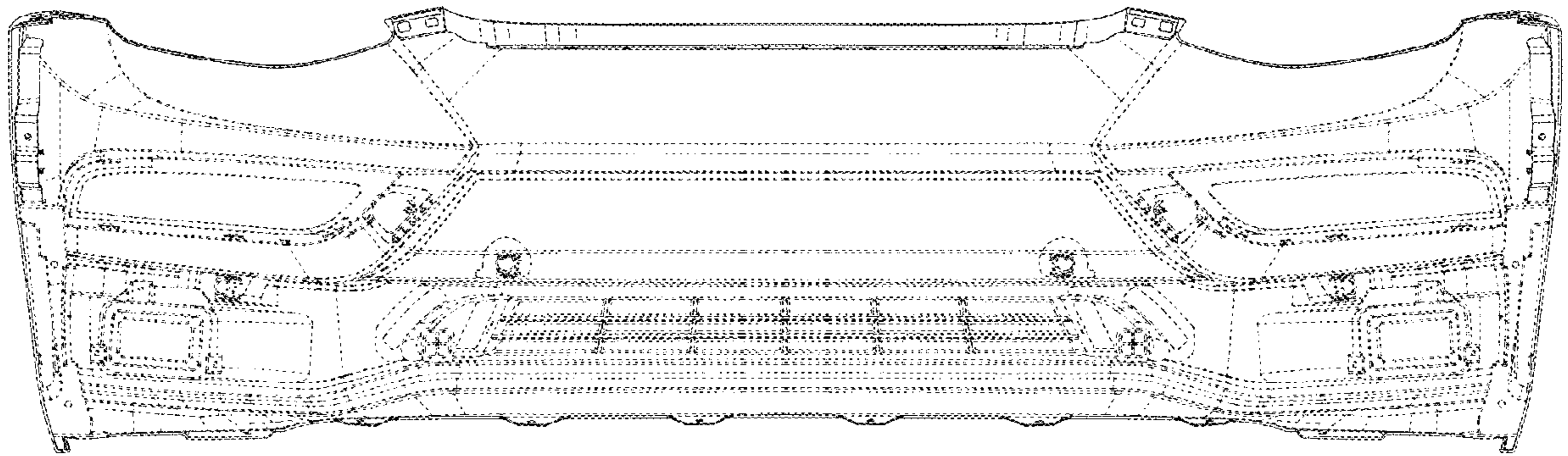


FIG. 3

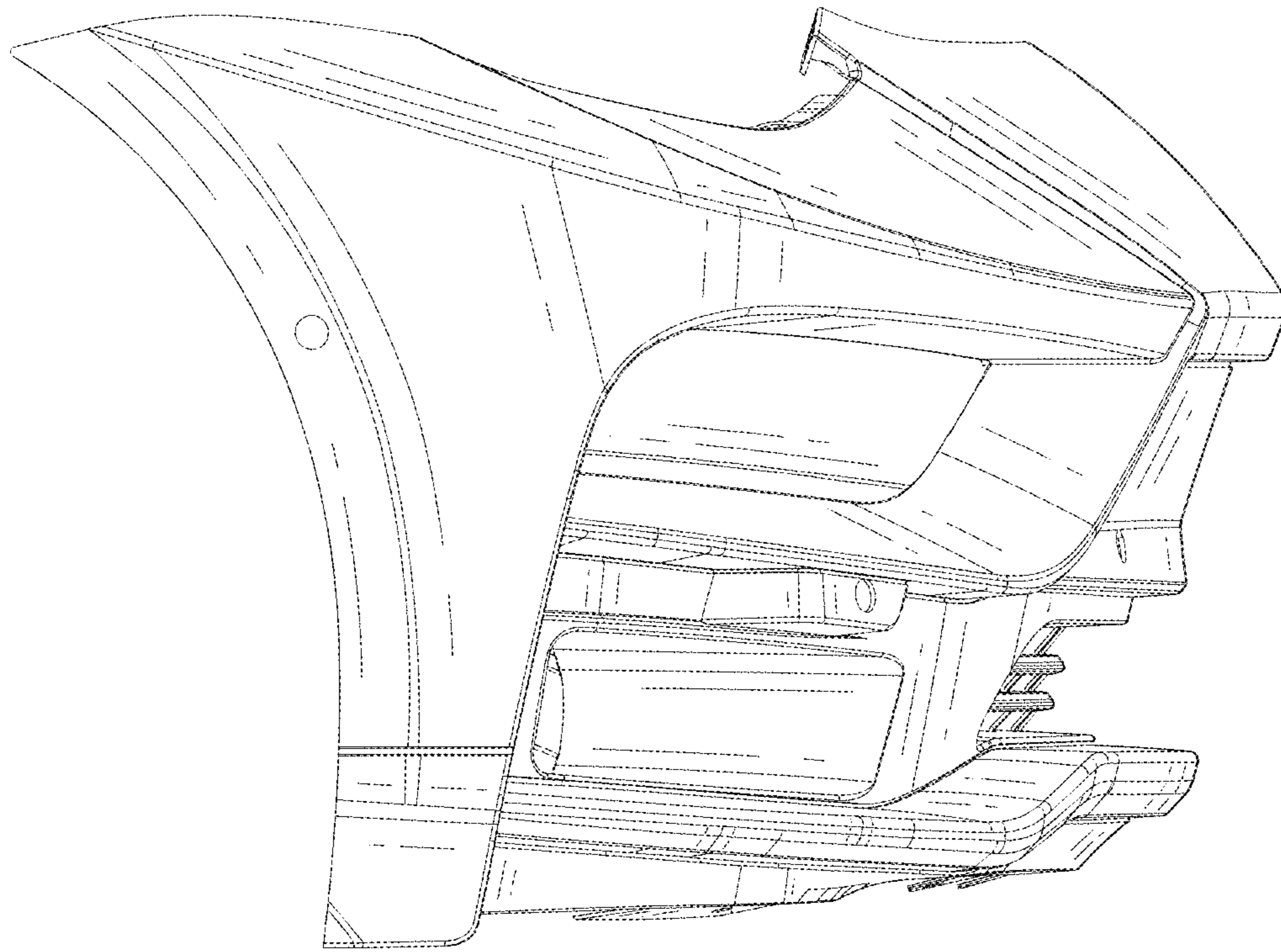


FIG. 4

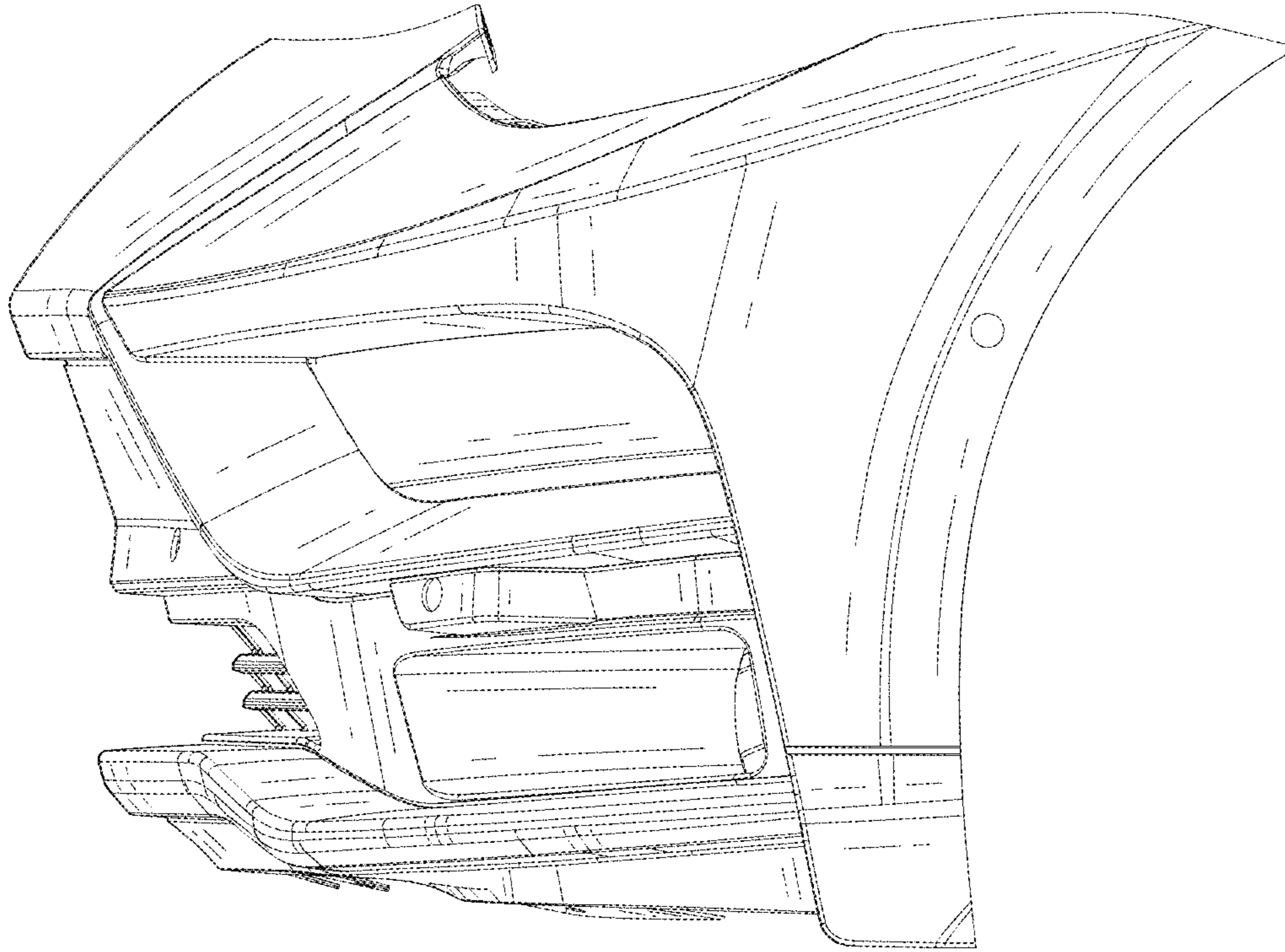


FIG. 5

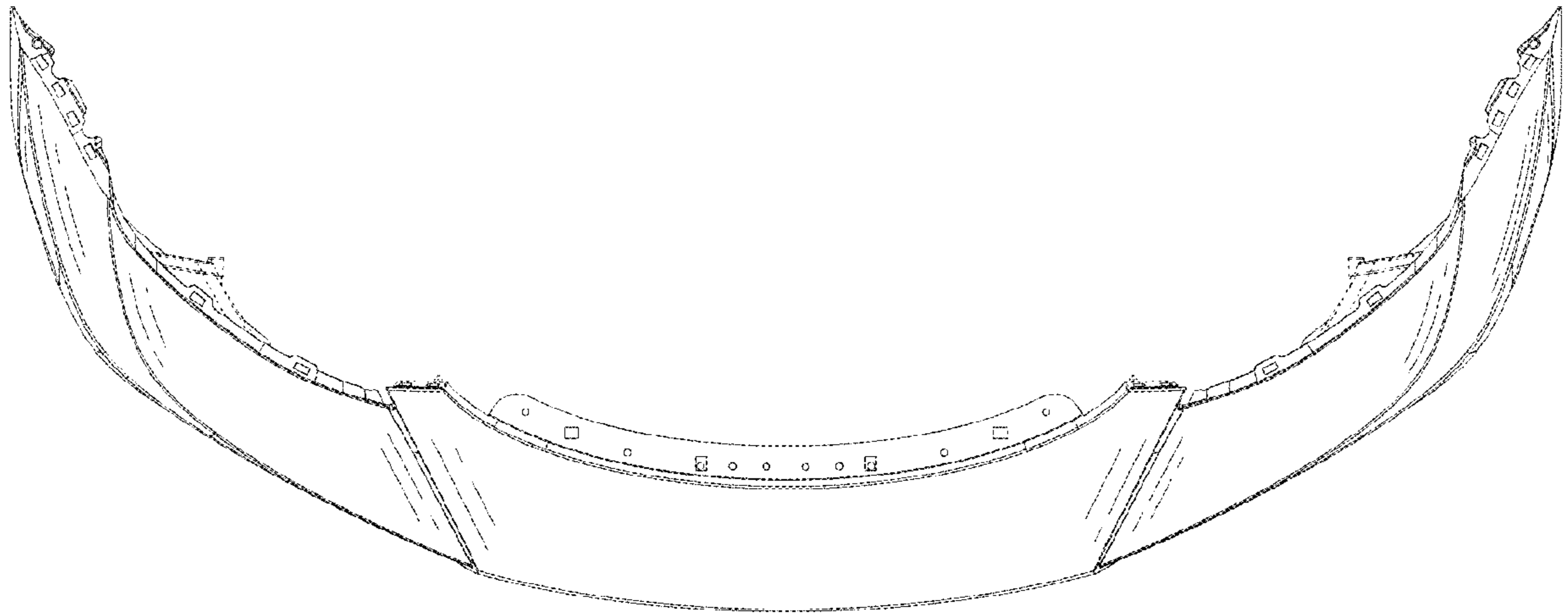


FIG. 6

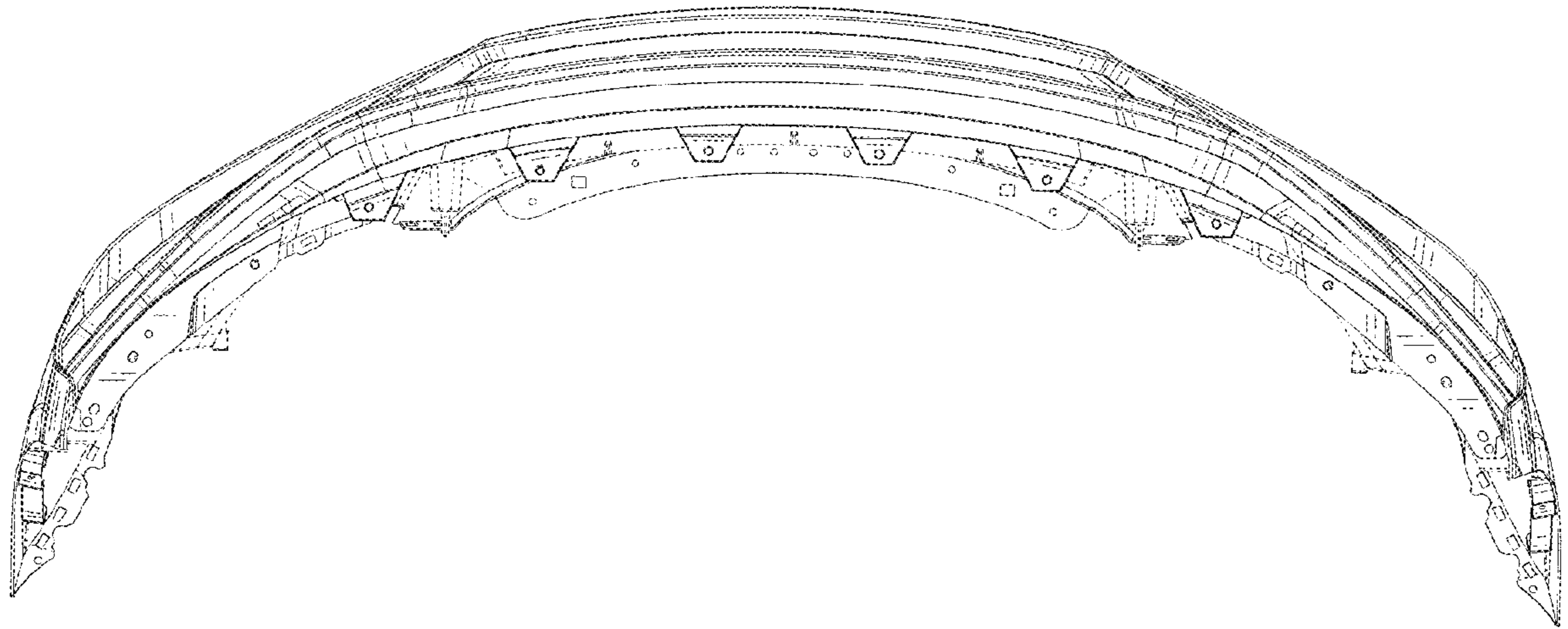


FIG. 7