



US00D964894S

(12) **United States Design Patent** (10) **Patent No.:** **US D964,894 S**
Wallburg (45) **Date of Patent:** **** Sep. 27, 2022**

- (54) **MOTOR VEHICLE**
- (71) Applicant: **VOLKSWAGEN AKTIENGESELLSCHAFT, Wolfsburg (DE)**
- (72) Inventor: **Stefan Wallburg, Wolfsburg (DE)**
- (73) Assignee: **VOLKSWAGEN AKTIENGESELLSCHAFT, Wolfsburg (DE)**
- (**) Term: **15 Years**
- (21) Appl. No.: **29/768,111**
- (22) Filed: **Jan. 27, 2021**
- (30) **Foreign Application Priority Data**
Sep. 18, 2020 (DE) 40 2020 100 879.6
- (51) **LOC (13) Cl.** **12-08**
- (52) **U.S. Cl.**
USPC **D12/92**
- (58) **Field of Classification Search**
USPC D12/86, 90-92, 88; D21/424, 433, 434, D21/533; 296/181.1-181.5, 183.1
CPC B62D 25/00; B62D 25/06; B62D 33/00; B62D 35/00
See application file for complete search history.

- (56) **References Cited**
U.S. PATENT DOCUMENTS
D620,840 S * 8/2010 Bischoff D12/91
D626,885 S * 11/2010 Bischoff D12/91
D637,943 S * 5/2011 Bischoff D12/92
D671,034 S * 11/2012 Bischoff D12/91
D671,035 S * 11/2012 Bischoff D12/91
D683,656 S * 6/2013 Bischoff D12/91
D690,231 S * 9/2013 Bischoff D12/91
D691,067 S * 10/2013 Bischoff D12/91

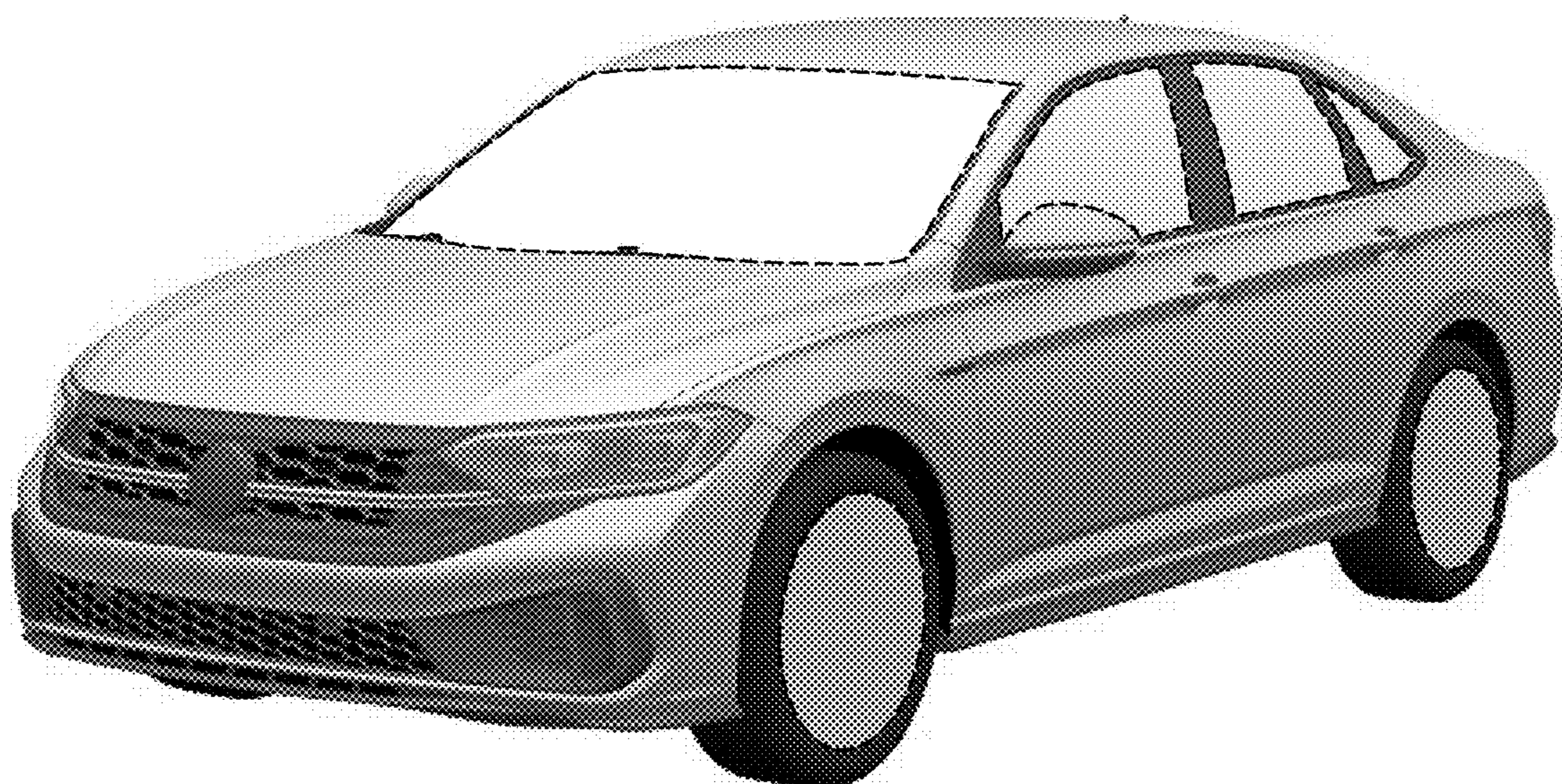
- D691,068 S * 10/2013 Bischoff D12/92
- D699,157 S * 2/2014 Bischoff D12/92
- D701,145 S * 3/2014 Bischoff D12/91
- D712,788 S * 9/2014 Bischoff D12/91
- D714,689 S * 10/2014 Bischoff D12/92
- D740,178 S * 10/2015 Bischoff D12/92
- D748,534 S * 2/2016 Bischoff D12/92
- D761,697 S * 7/2016 Bischoff D12/92
- D791,020 S * 7/2017 Bischoff D12/91
- D804,363 S * 12/2017 Bischoff D12/92
- D814,355 S * 4/2018 Bischoff D12/91
- D826,094 S 8/2018 Bischoff
- D860,868 S * 9/2019 Bischoff D12/92
- D875,608 S * 2/2020 Bischoff D12/92

* cited by examiner
Primary Examiner — Melody N Brown
(74) *Attorney, Agent, or Firm* — Lucas & Mercanti, LLP; Klaus P. Stoffel

(57) **CLAIM**
The ornamental design for a motor vehicle, as shown and described.

DESCRIPTION
FIG. 1 is a front and right side perspective view of a motor vehicle showing my new design;
FIG. 2 is a front and left side perspective view thereof;
FIG. 3 is a rear and right side perspective view thereof;
FIG. 4 is a rear and left side perspective view thereof;
FIG. 5 is a front view thereof;
FIG. 6 is a rear view thereof;
FIG. 7 is a left side view thereof;
FIG. 8 is a right side view thereof; and,
FIG. 9 is a top view thereof.
The wheels shown on the vehicle throughout the drawing views in a de-emphasized and faded out half tone manner surrounded by broken lines defining the inward unclaimed boundaries are for environmental and illustrative purposes and form no part of the claimed design.

1 Claim, 5 Drawing Sheets



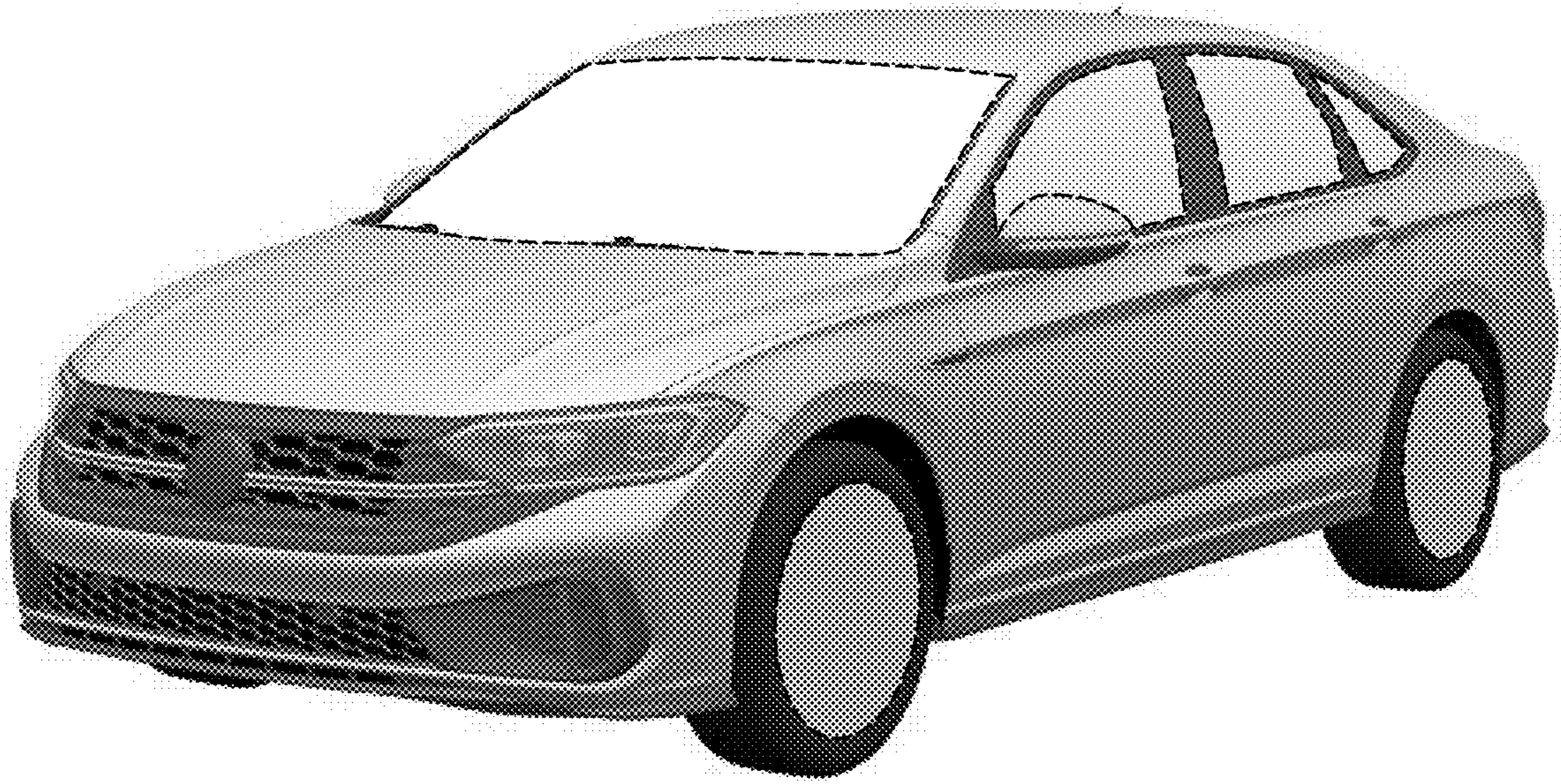


Fig. 1



Fig. 2

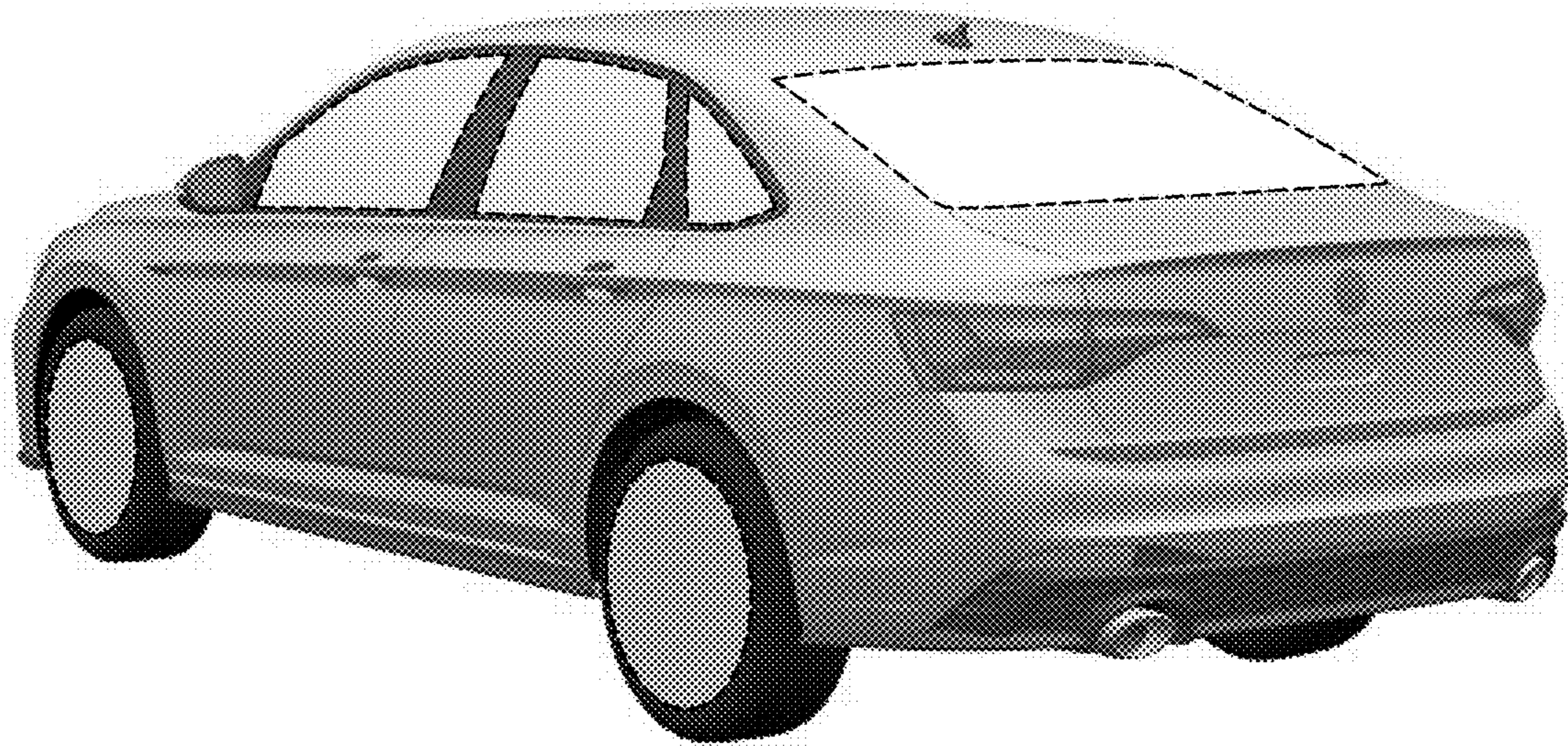


Fig. 3

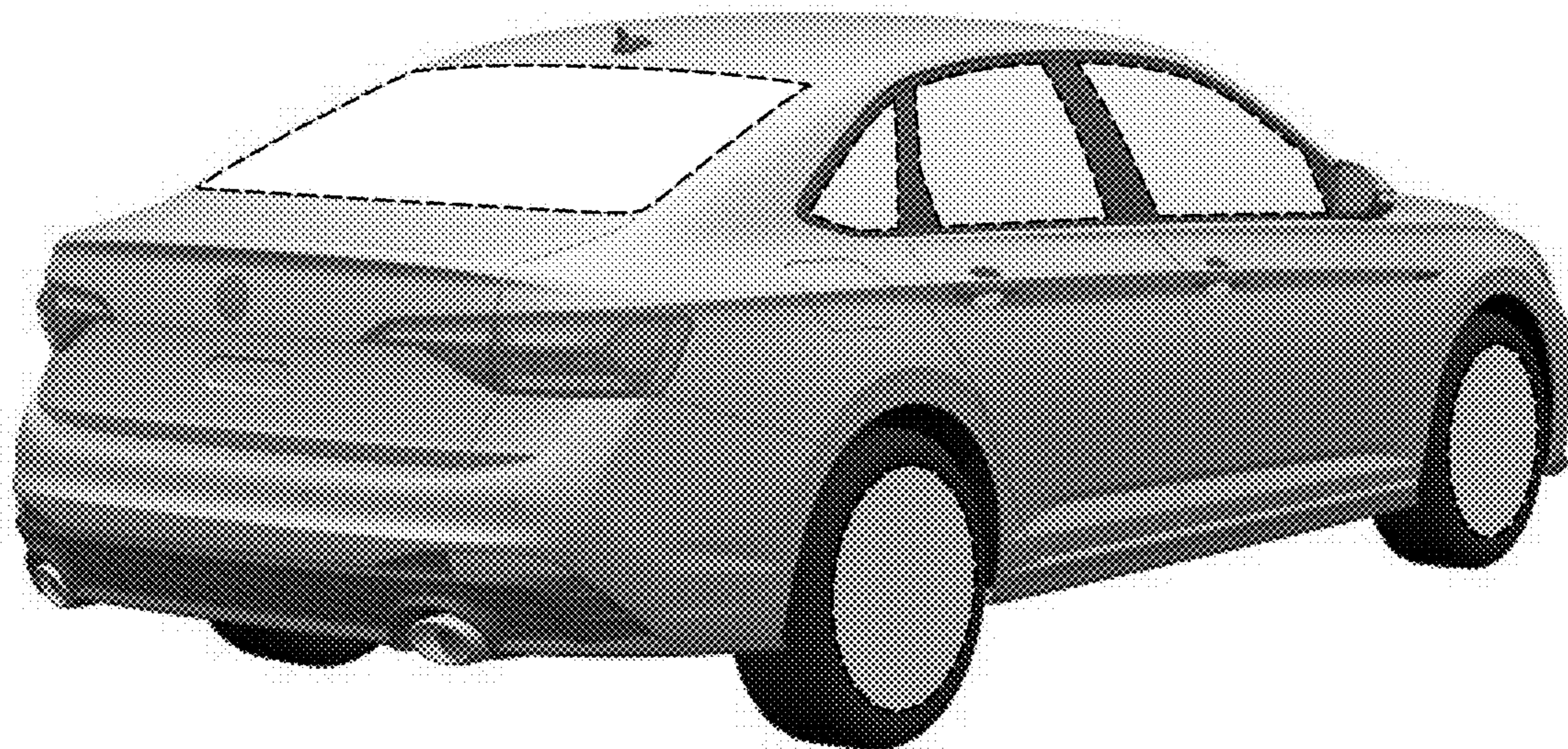


Fig. 4

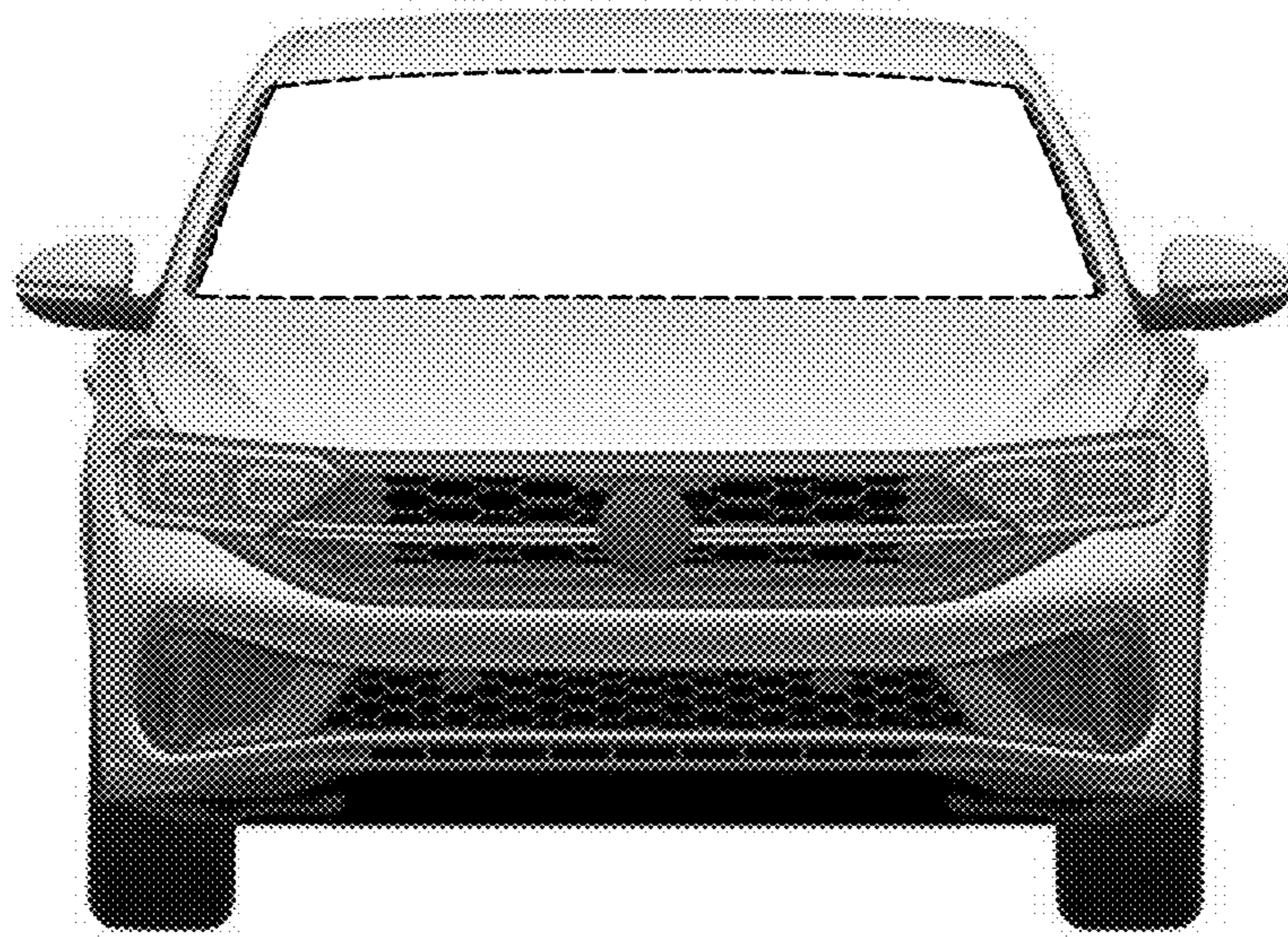


Fig. 5

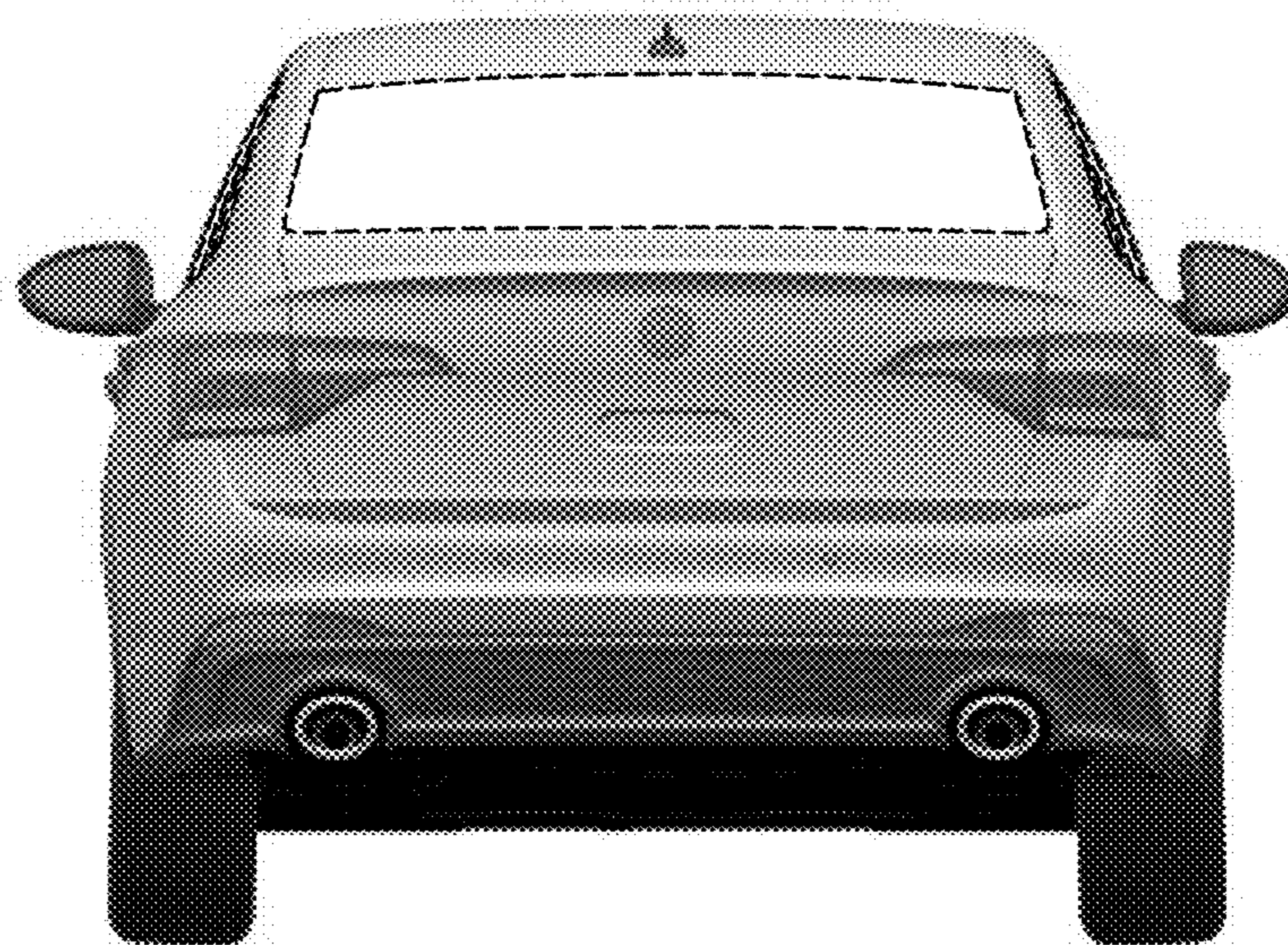


Fig. 6

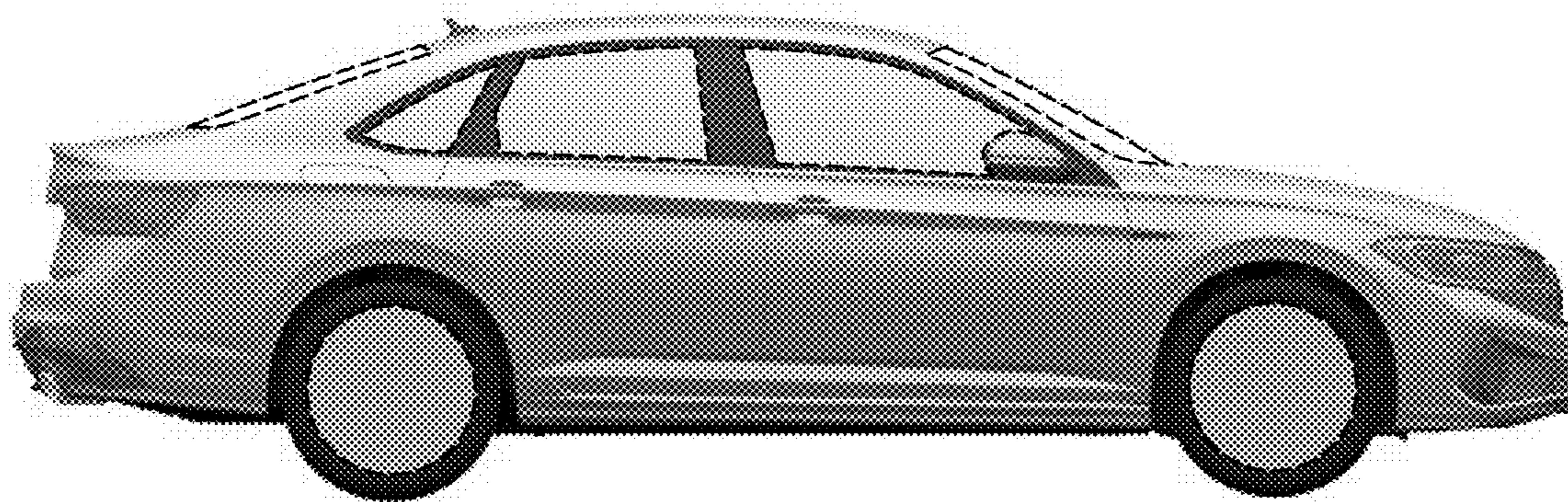


Fig. 7

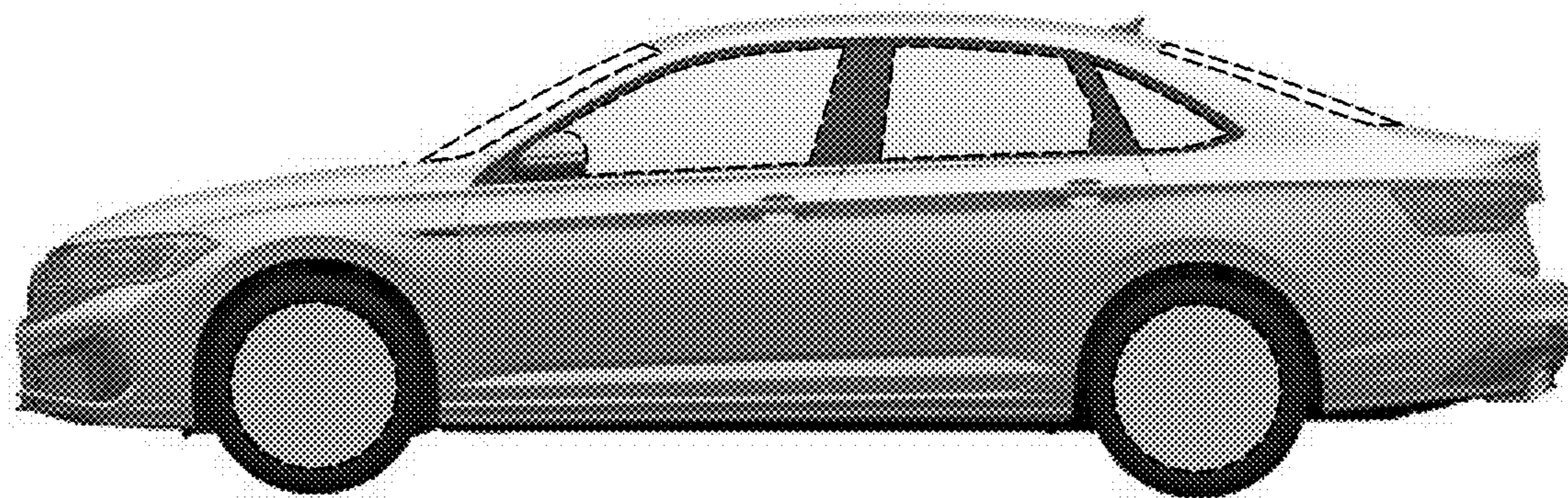


Fig. 8

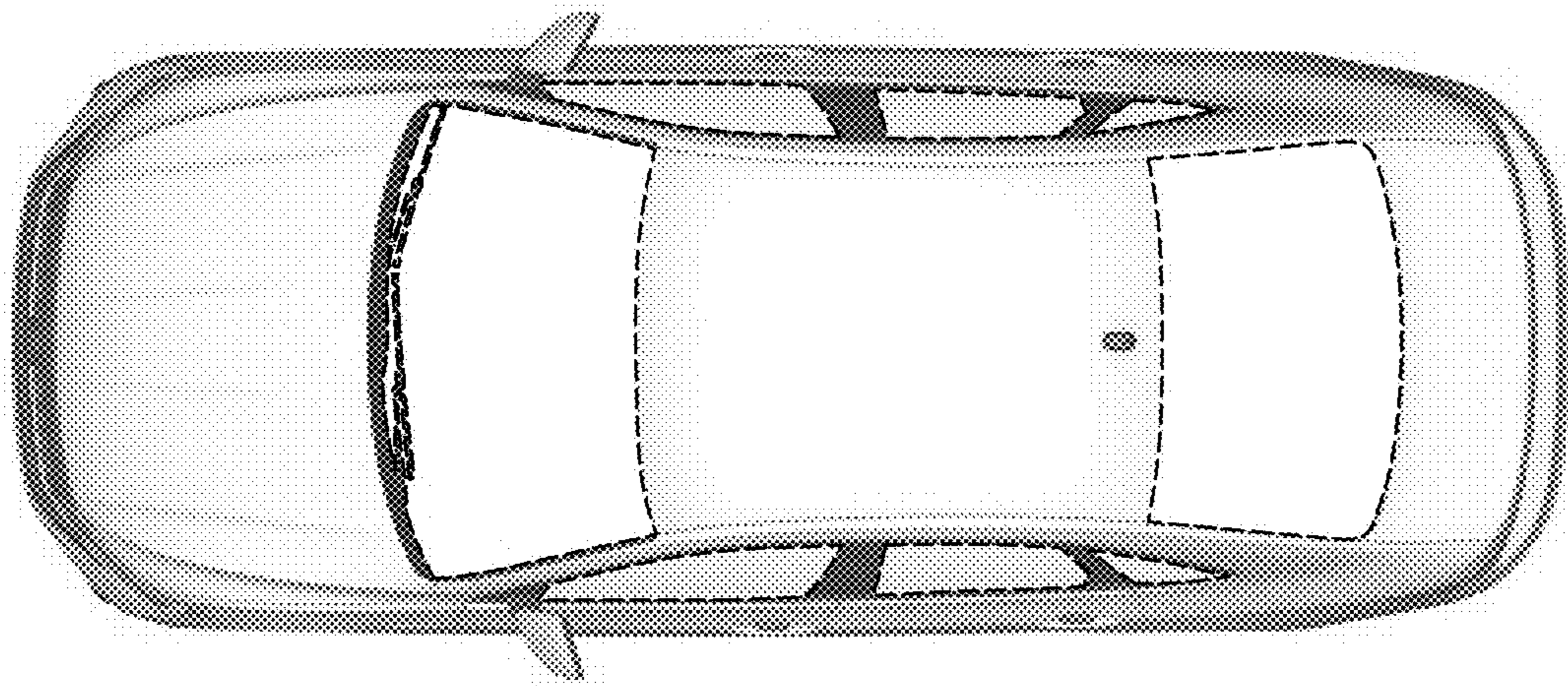


Fig. 9