



US00D964890S

(12) **United States Design Patent** (10) **Patent No.:** **US D964,890 S**  
**Kabañ et al.** (45) **Date of Patent:** **\*\* Sep. 27, 2022**

(54) **MOTOR VEHICLE**  
(71) Applicant: **VOLKSWAGEN AKTIENGESELLSCHAFT,**  
Wolfsburg (DE)  
(72) Inventors: **Jozef Kabañ,** Wolfsburg (DE); **Felipe Montoya Bueloni,** Wolfsburg (DE)  
(73) Assignee: **VOLKSWAGEN AKTIENGESELLSCHAFT,**  
Wolfsburg (DE)

D684,900 S \* 6/2013 Doyle ..... D12/92  
D690,231 S \* 9/2013 Bischoff ..... D12/91  
D700,870 S \* 3/2014 Jevremovic ..... D12/92  
D701,145 S \* 3/2014 Bischoff ..... D12/91  
D706,171 S \* 6/2014 Bischoff ..... D12/91  
D712,313 S \* 9/2014 Bischoff ..... D12/91  
D712,788 S \* 9/2014 Bischoff ..... D12/91  
D712,789 S \* 9/2014 Bischoff ..... D12/91  
D714,686 S \* 10/2014 Bischoff ..... D12/91  
D719,064 S \* 12/2014 Bischoff ..... D12/91  
D733,003 S \* 6/2015 Bischoff ..... D12/91

(Continued)

**FOREIGN PATENT DOCUMENTS**

(\*\*) Term: **15 Years**  
(21) Appl. No.: **29/766,449**  
(22) Filed: **Jan. 15, 2021**

WO DM092131 6/2020

*Primary Examiner* — Melody N Brown

(74) *Attorney, Agent, or Firm* — Lucas & Mercanti, LLP; Klaus P. Stoffel

(30) **Foreign Application Priority Data**

(57) **CLAIM**

The ornamental design for a motor vehicle, as shown and described.

Aug. 20, 2020 (DE) ..... 40 2020 100 797.8

(51) **LOC (13) Cl.** ..... **12-08**

(52) **U.S. Cl.**  
USPC ..... **D12/91**

(58) **Field of Classification Search**  
USPC ..... D12/86, 90–92, 88; D21/424, 433, 434,  
D21/533; 296/181.1–181.5, 183.1  
CPC ..... B62D 25/00; B62D 25/06; B62D 33/00;  
B62D 35/00

See application file for complete search history.

**DESCRIPTION**

FIG. 1 is a front and right side perspective view of a motor vehicle showing our new design;  
FIG. 2 is a front and left side perspective view thereof;  
FIG. 3 is a rear and right side perspective view thereof;  
FIG. 4 is a rear and left side perspective view thereof;  
FIG. 5 is a front view thereof;  
FIG. 6 is a rear view thereof;  
FIG. 7 is a left side view thereof;  
FIG. 8 is a right side view thereof; and,  
FIG. 9 is a top view thereof.

The wheels and lights shown on the vehicle throughout the drawing views in a de-emphasized and faded out half tone manner surrounded by broken lines defining the inward unclaimed boundaries are for environmental and illustrative purposes and form no part of the claimed design.

(56) **References Cited**

**U.S. PATENT DOCUMENTS**

D620,394 S \* 7/2010 Bischoff ..... D12/91  
D620,840 S \* 8/2010 Bischoff ..... D12/91  
D626,885 S \* 11/2010 Bischoff ..... D12/91  
D647,821 S \* 11/2011 Bischoff ..... D12/91  
D647,823 S \* 11/2011 Okumoto ..... D12/92  
D671,035 S \* 11/2012 Bischoff ..... D12/91  
D674,319 S \* 1/2013 Doyle ..... D12/92

**1 Claim, 5 Drawing Sheets**



(56)

**References Cited**

## U.S. PATENT DOCUMENTS

D761,694	S	*	7/2016	Bischoff	.....	D12/91
D791,020	S	*	7/2017	Bischoff	.....	D12/91
D798,193	S	*	9/2017	Potter	.....	D12/91
D801,863	S	*	11/2017	Bischoff	.....	D12/91
D801,866	S	*	11/2017	Bischoff	.....	D12/91
D801,868	S	*	11/2017	Bischoff	.....	D12/91
D801,869	S	*	11/2017	Bischoff	.....	D12/91
D801,870	S	*	11/2017	Bischoff	.....	D12/91
D802,481	S	*	11/2017	Zhang	.....	D12/91
D804,360	S	*	12/2017	Bischoff	.....	D12/91
D805,434	S	*	12/2017	Bischoff	.....	D12/91
D814,355	S	*	4/2018	Bischoff	.....	D12/91
D818,881	S	*	5/2018	Bischoff	.....	D12/91
D826,094	S	*	8/2018	Bischoff	.....	D12/92
D841,519	S	*	2/2019	Bischoff	.....	D12/91
D854,450	S	*	7/2019	Heo	.....	D12/91
D871,261	S	*	12/2019	Zhou	.....	D12/91
D872,652	S	*	1/2020	Koyama	.....	D12/91
D895,484	S	*	9/2020	Bischoff	.....	D12/88
D904,229	S	*	12/2020	Bischoff	.....	D12/91
D904,933	S	*	12/2020	Bischoff	.....	D12/91
D906,884	S	*	1/2021	Bischoff	.....	D12/91
D937,708	S	*	12/2021	Giumentaro	.....	D12/91

\* cited by examiner



FIG. 1



FIG. 2



FIG. 3

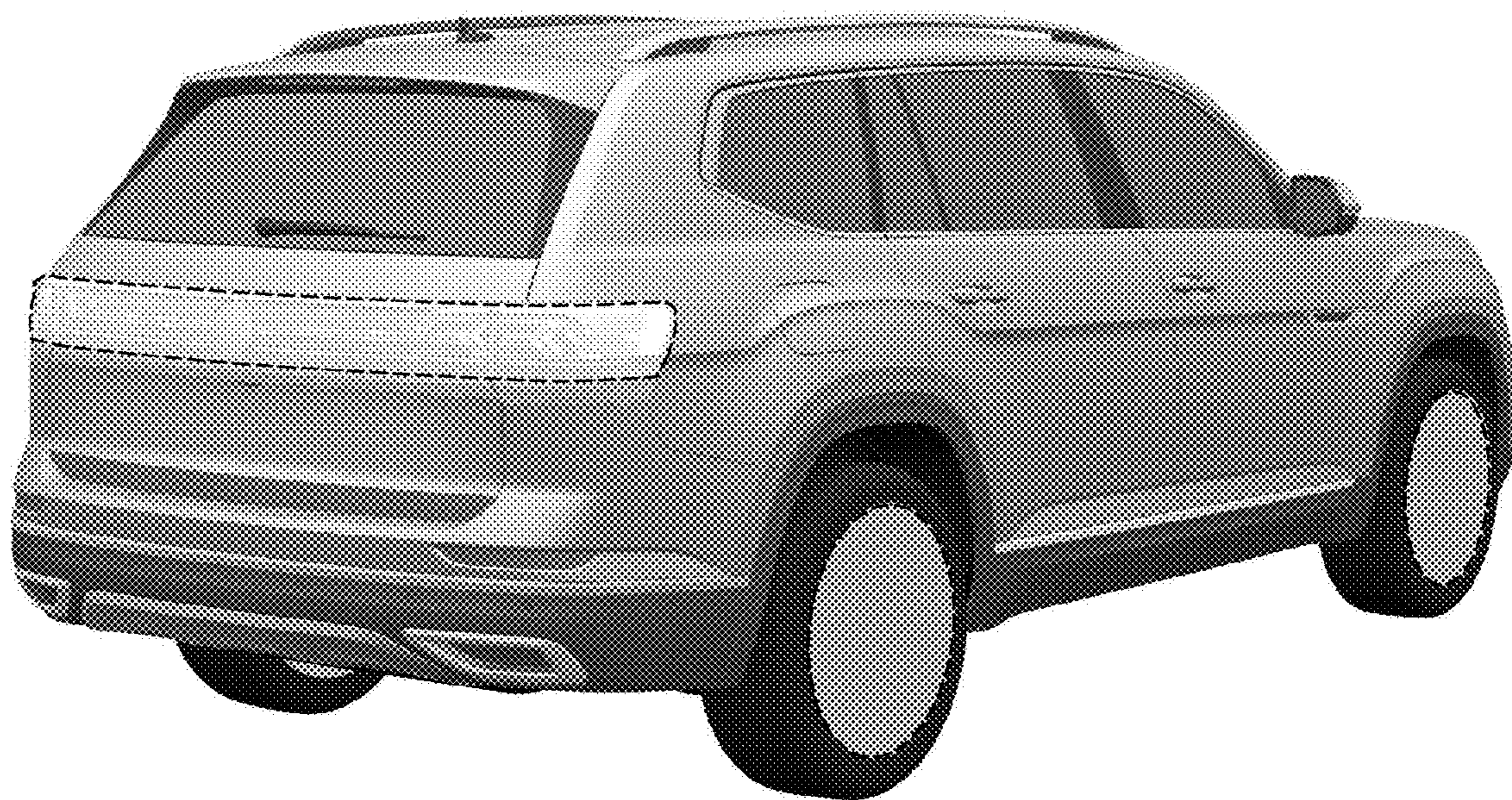


FIG. 4



FIG. 5

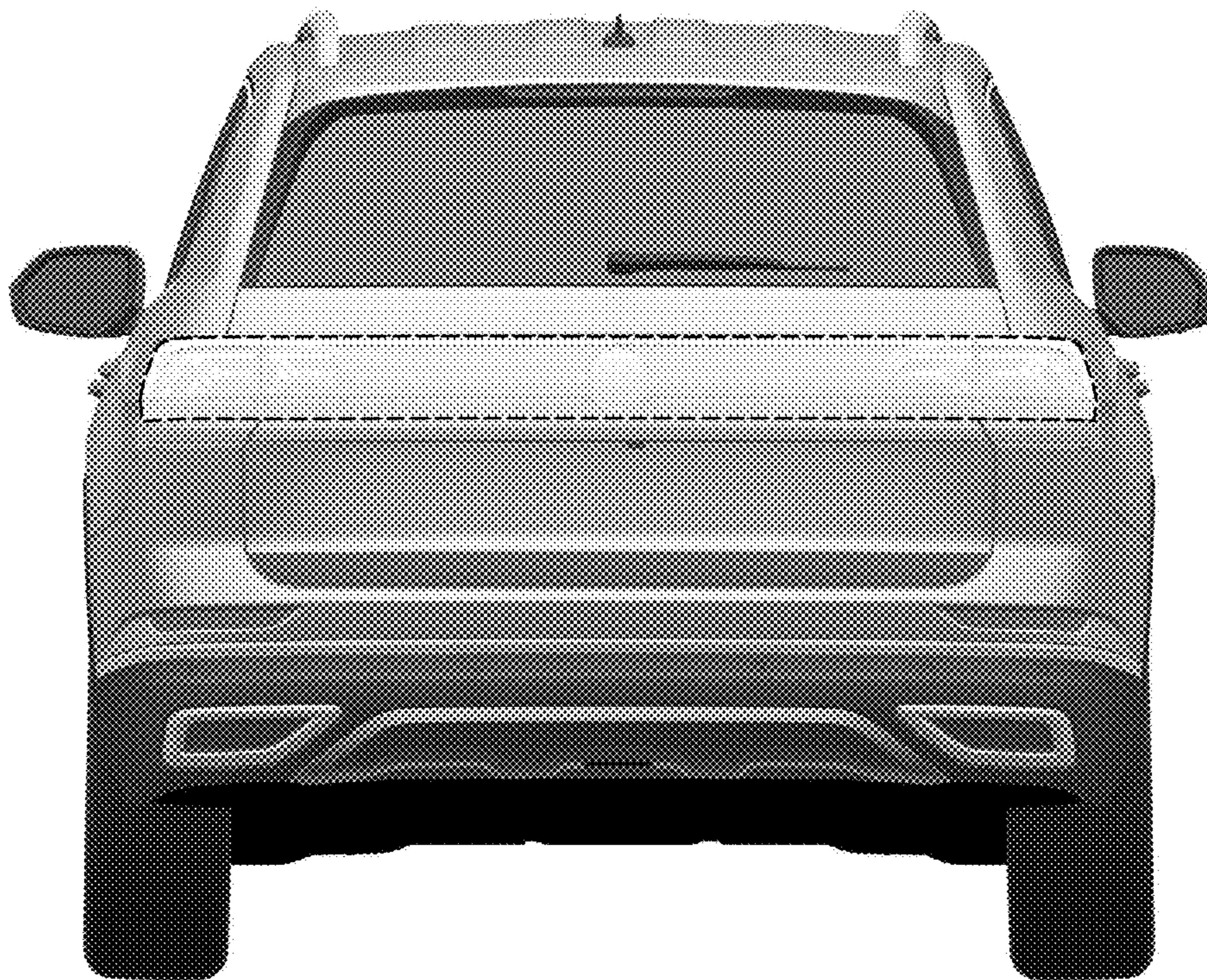


FIG. 6

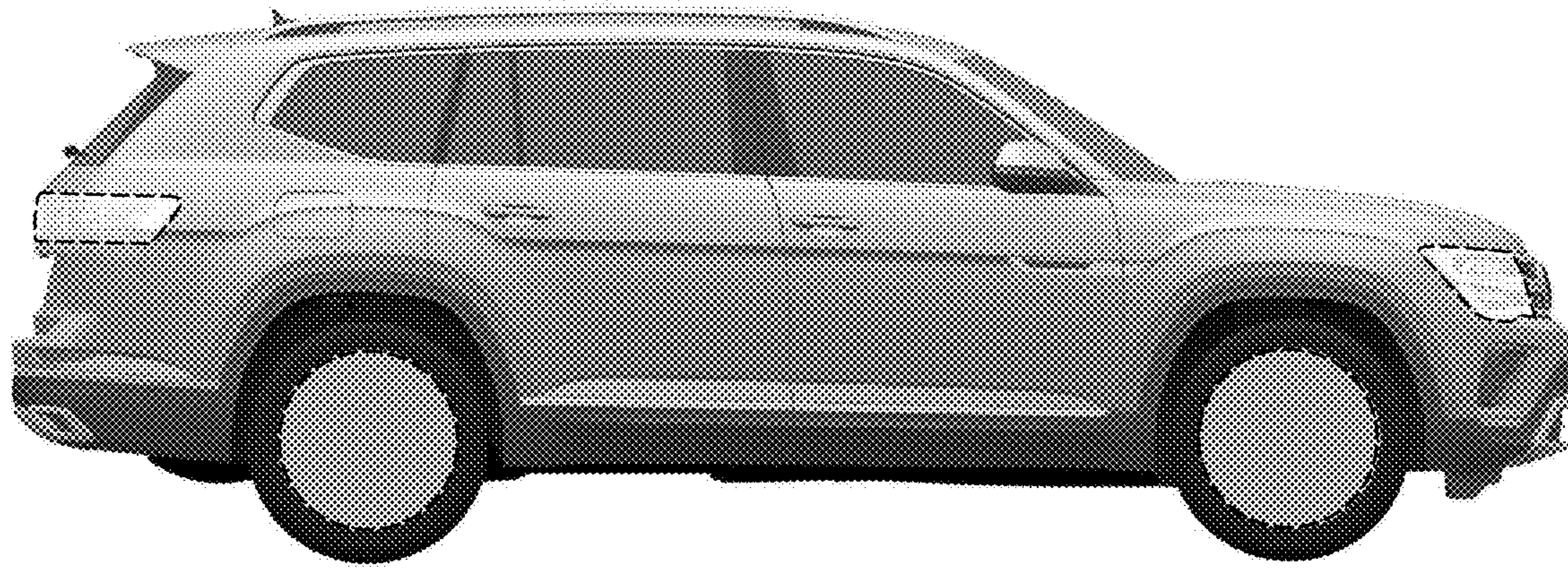


FIG. 7

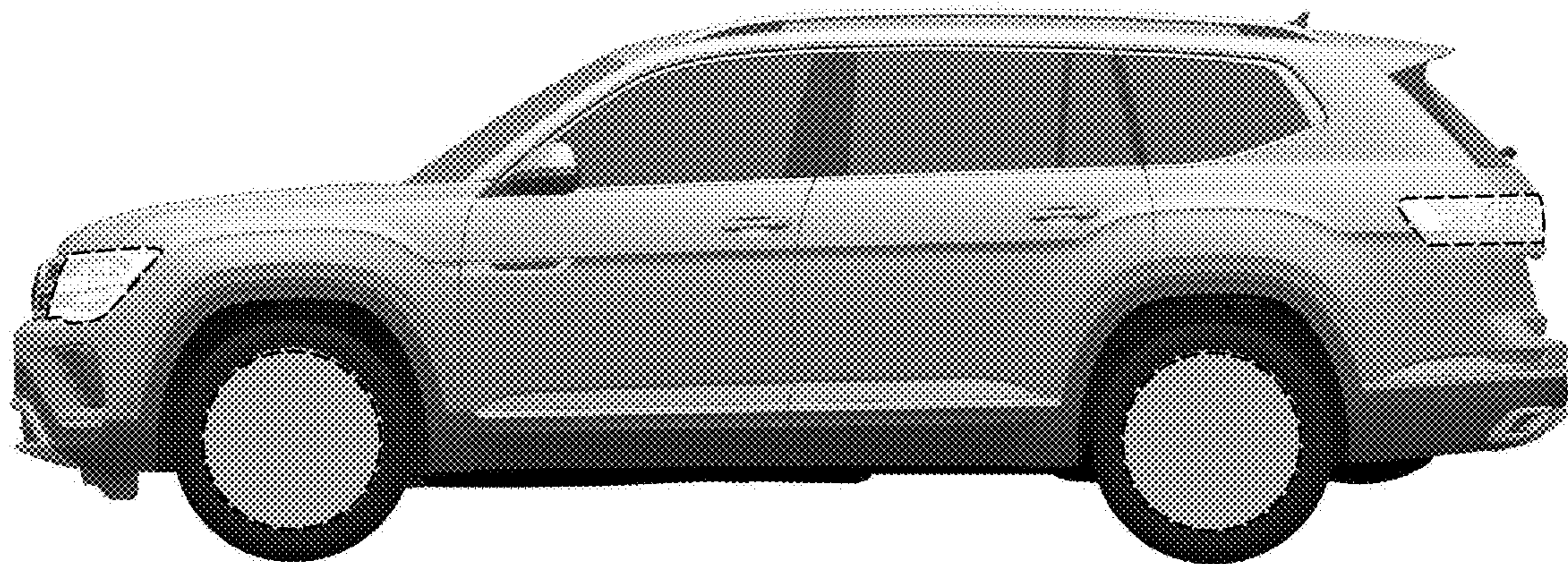


FIG. 8

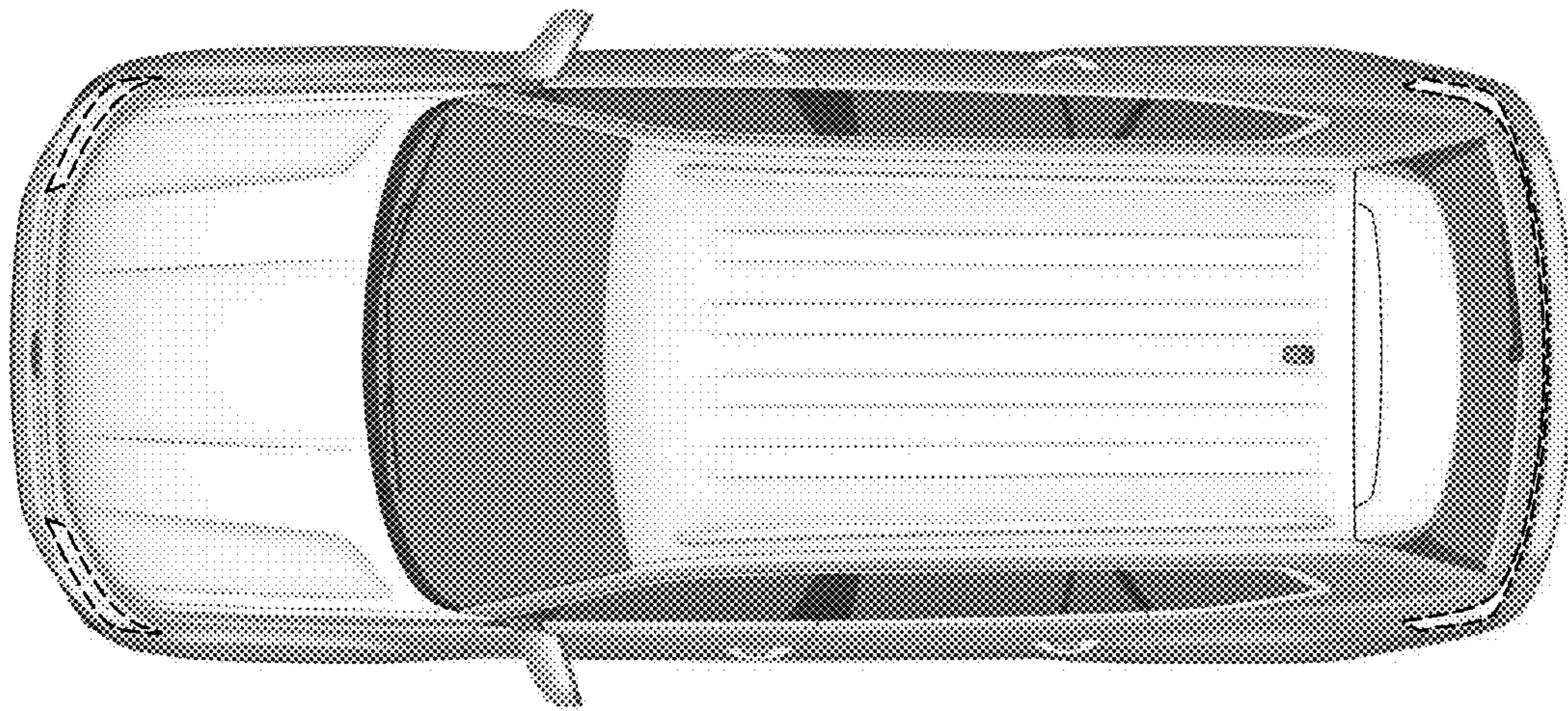


FIG. 9