

US00D964888S

(12) **United States Design Patent** (10) **Patent No.:** **US D964,888 S**
Steininger (45) **Date of Patent:** **** Sep. 27, 2022**

(54) **BASE FOR A RAIL INSULATOR**

FOREIGN PATENT DOCUMENTS

(71) Applicant: **Richard Steininger**, North Jackson, OH (US)
(72) Inventor: **Richard Steininger**, North Jackson, OH (US)

DE 4207622 A1 9/1993
GB 779450 A 7/1957
GB 1003637 A 9/1965

(Continued)

(**) Term: **15 Years**

OTHER PUBLICATIONS

(21) Appl. No.: **29/716,732**

www.alliedinsulators.com/products/railways/conductor-rail-in . . . ,
“Conductor Rail Insulators”, Allied Insulators, Sep. 16, 2019, 3 pages.

(22) Filed: **Dec. 11, 2019**

(51) **LOC (13) Cl.** **12-03**

Primary Examiner — Ania Aman

(52) **U.S. Cl.**
USPC **D12/51**

(74) *Attorney, Agent, or Firm* — Fay Sharpe LLP

(58) **Field of Classification Search**
USPC D12/51, 50, 49, 48, 47; D8/352, 349,
D8/355, 363, 375, 380
CPC B60M 1/307; B60M 1/00; B60M 1/30;
B60M 1/04; B60M 1/18
See application file for complete search history.

(57) **CLAIM**

The ornamental design for a base for a rail insulator, as shown and described.

(56) **References Cited**

DESCRIPTION

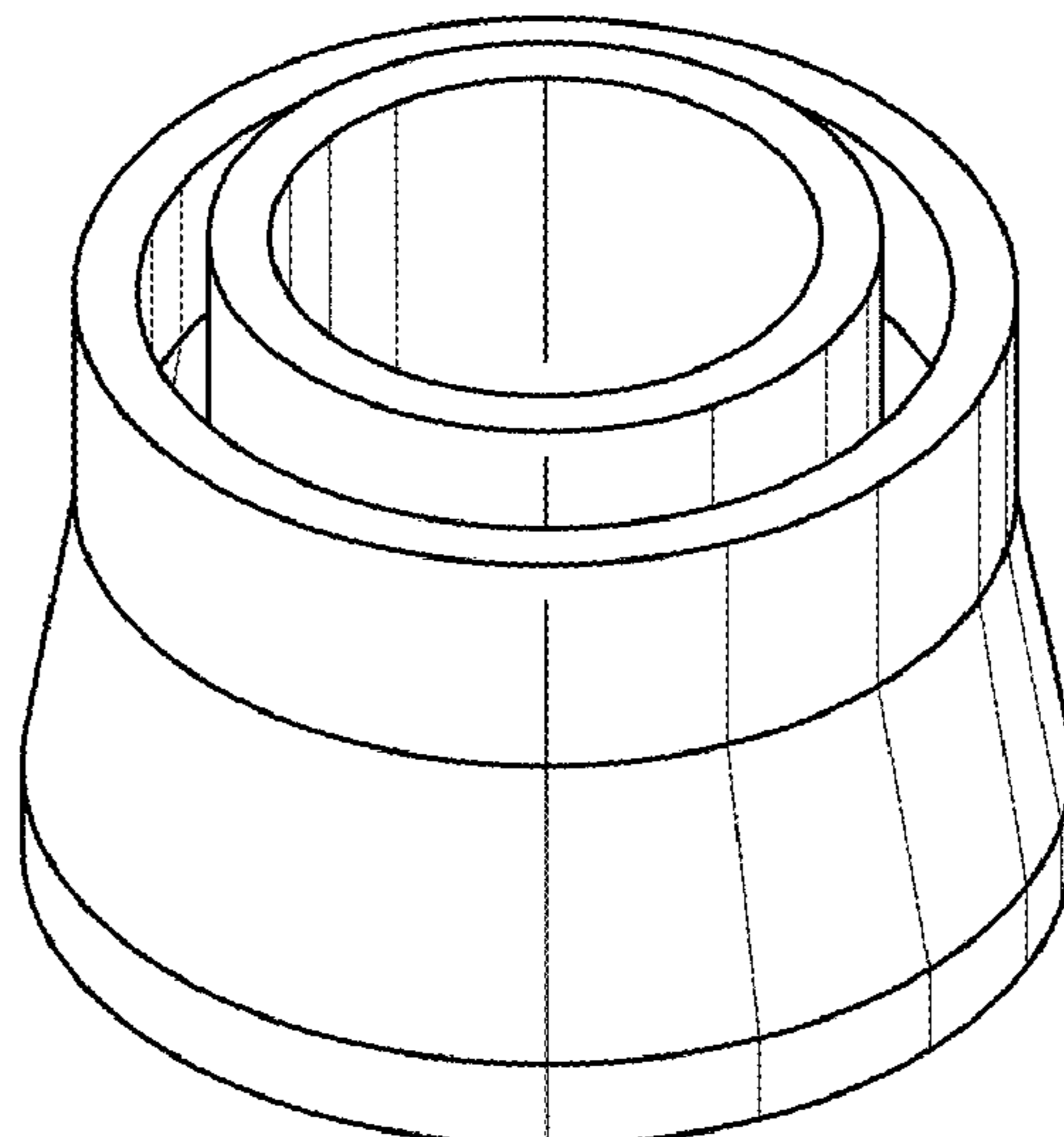
U.S. PATENT DOCUMENTS

917,501 A * 4/1909 Steinberger B60M 1/307
191/32
922,951 A * 5/1909 Randolph B60M 1/307
191/32
2,502,756 A * 4/1950 Schmid B60M 1/307
191/32
3,826,881 A * 7/1974 Spiringer B60M 1/307
191/32
D547,165 S * 7/2007 Barrese D6/550
7,703,589 B2 4/2010 Kalitzki
7,926,634 B1 * 4/2011 Morales B60M 1/04
191/29 R
D897,897 S * 10/2020 Morales D12/51
2013/0098489 A1 * 4/2013 Meehan F21V 33/004
137/801
2015/0298578 A1 * 10/2015 Parsons B60M 1/307
191/44.1
2017/0211238 A1 * 7/2017 Mazur B60M 1/307

FIG. 1 is a perspective view of a base for a rail insulator showing a first embodiment of my new design;
FIG. 2 is a top plan view thereof;
FIG. 3 is a bottom plan view thereof;
FIG. 4 is a side elevational view thereof;
FIG. 5 is a perspective view of a base for a rail insulator showing a second embodiment of my new design;
FIG. 6 is a top plan view thereof;
FIG. 7 is a bottom plan view thereof;
FIG. 8 is a side elevational view thereof;
FIG. 9 is a perspective view of a base for a rail insulator showing a third embodiment of my new design;
FIG. 10 is a top plan view thereof;
FIG. 11 is a bottom plan view thereof; and,
FIG. 12 is a side elevational view thereof.
The parts shown in broken lines in FIGS. 1-12 form no part of the claimed design.

(Continued)

1 Claim, 3 Drawing Sheets



(56)

References Cited

U.S. PATENT DOCUMENTS

2020/0023752 A1* 1/2020 Mazur B60M 1/307

FOREIGN PATENT DOCUMENTS

GB	2276498 A	9/1994
GB	2276499 A	9/1994
GB	2412018 A	9/2005

* cited by examiner

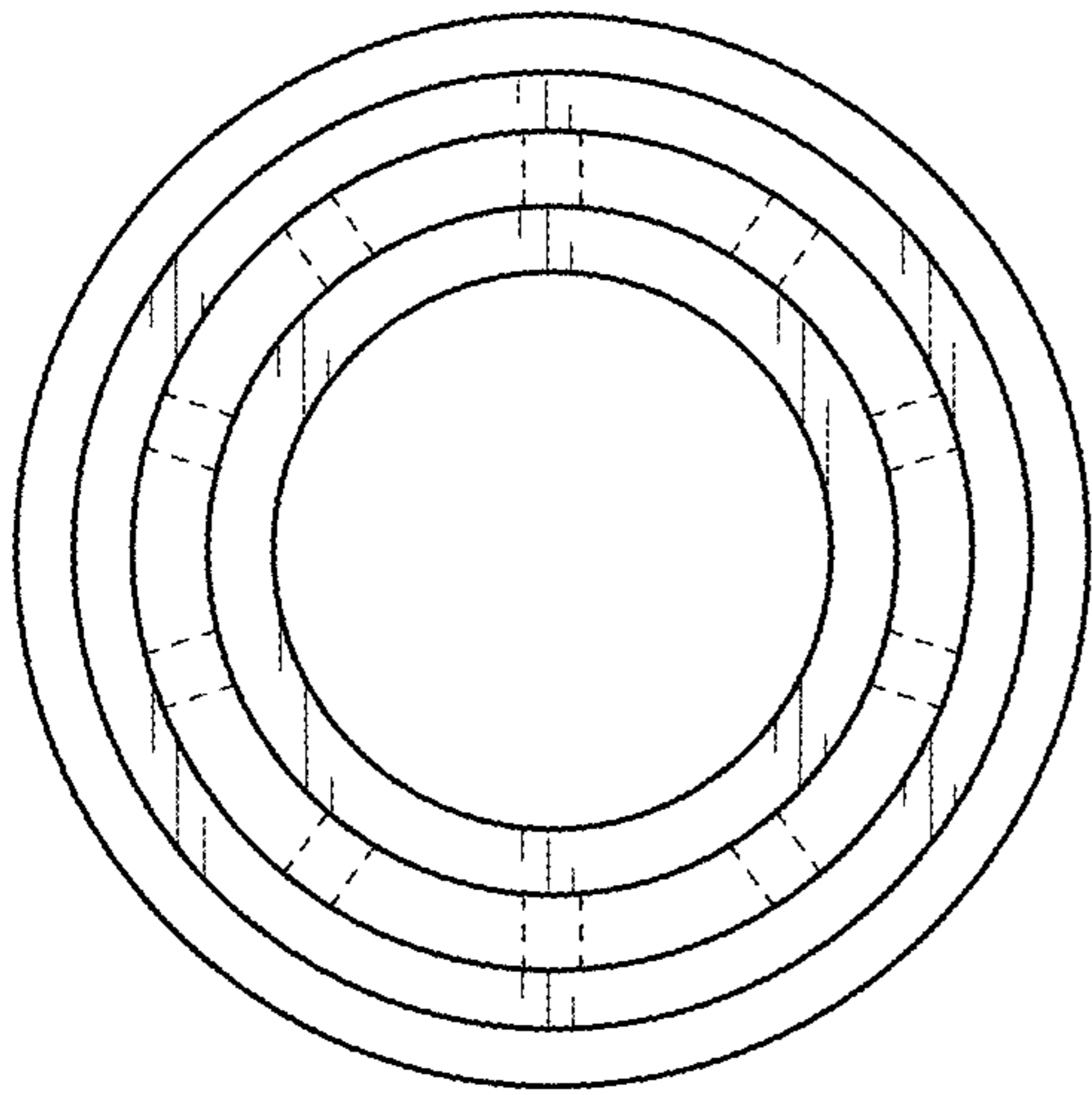


FIG. 2

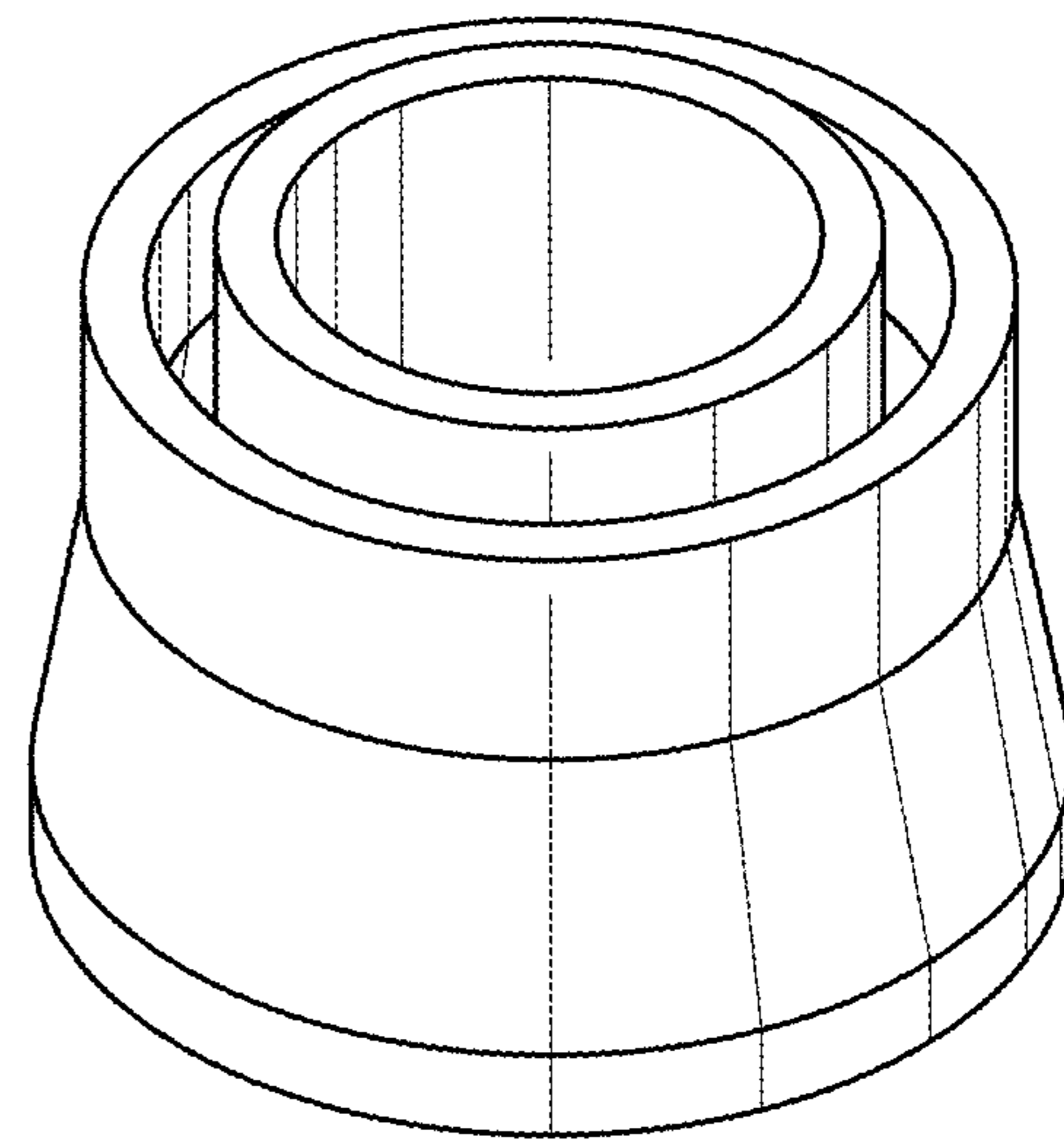


FIG. 1

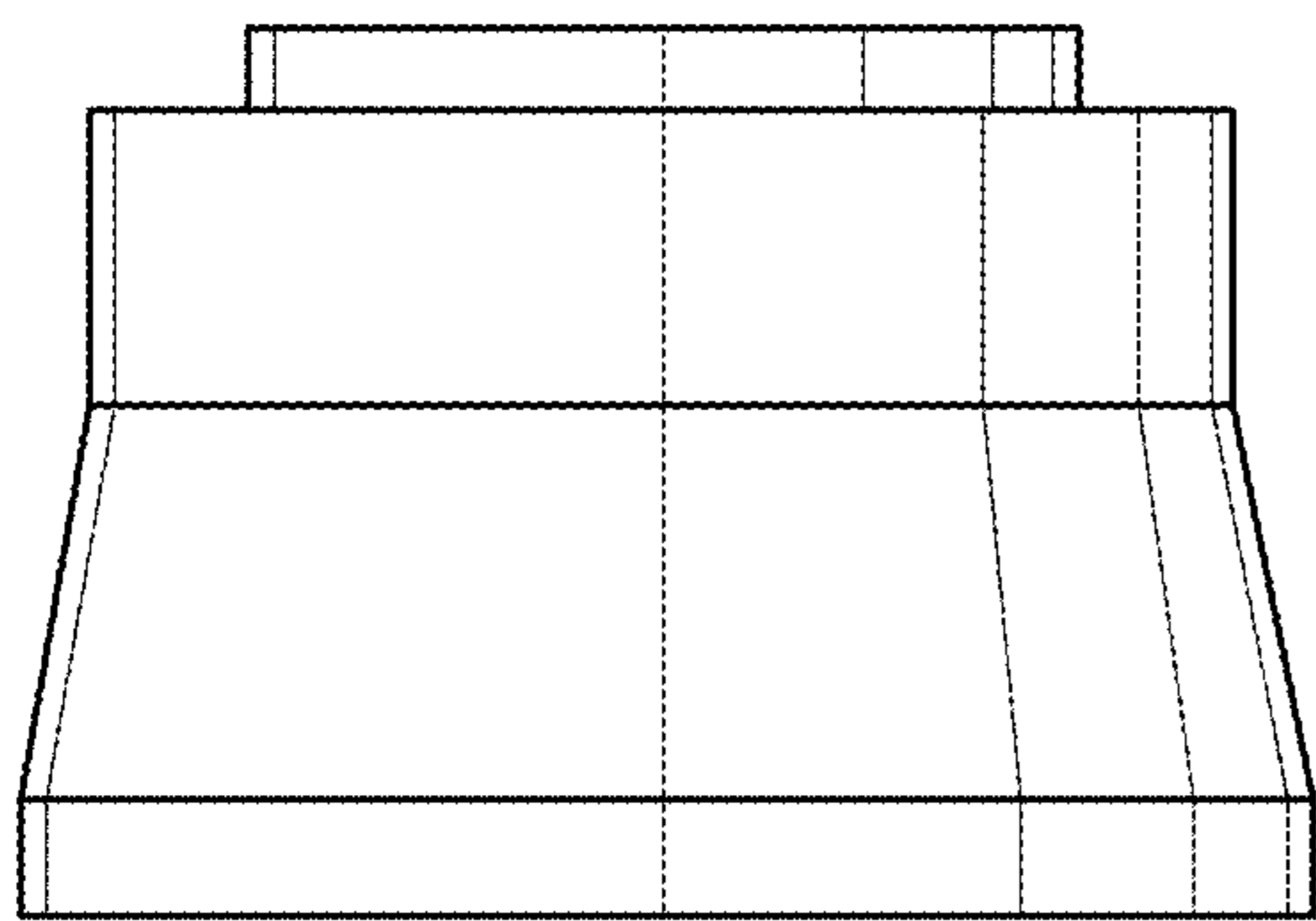


FIG. 4

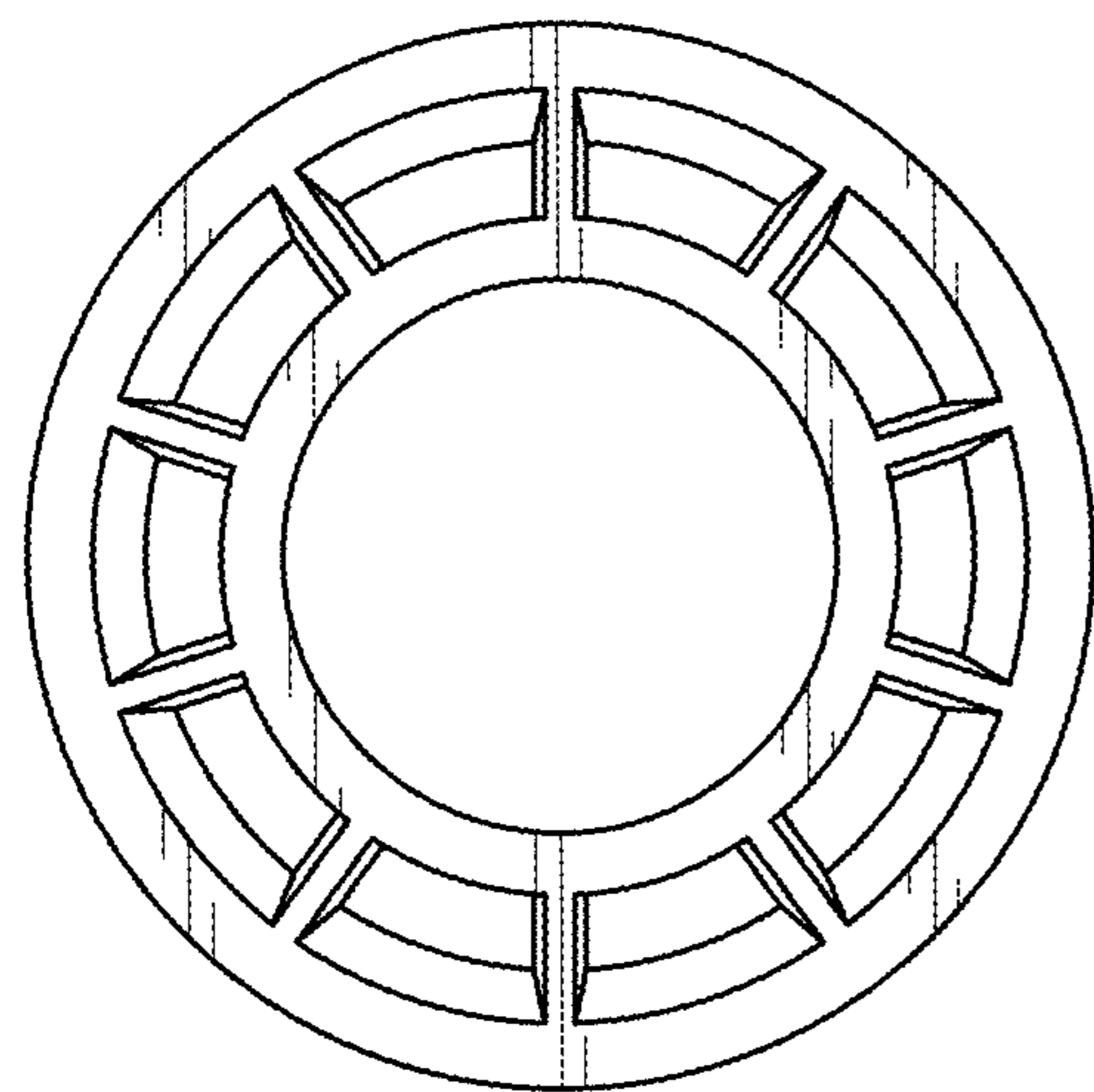


FIG. 3

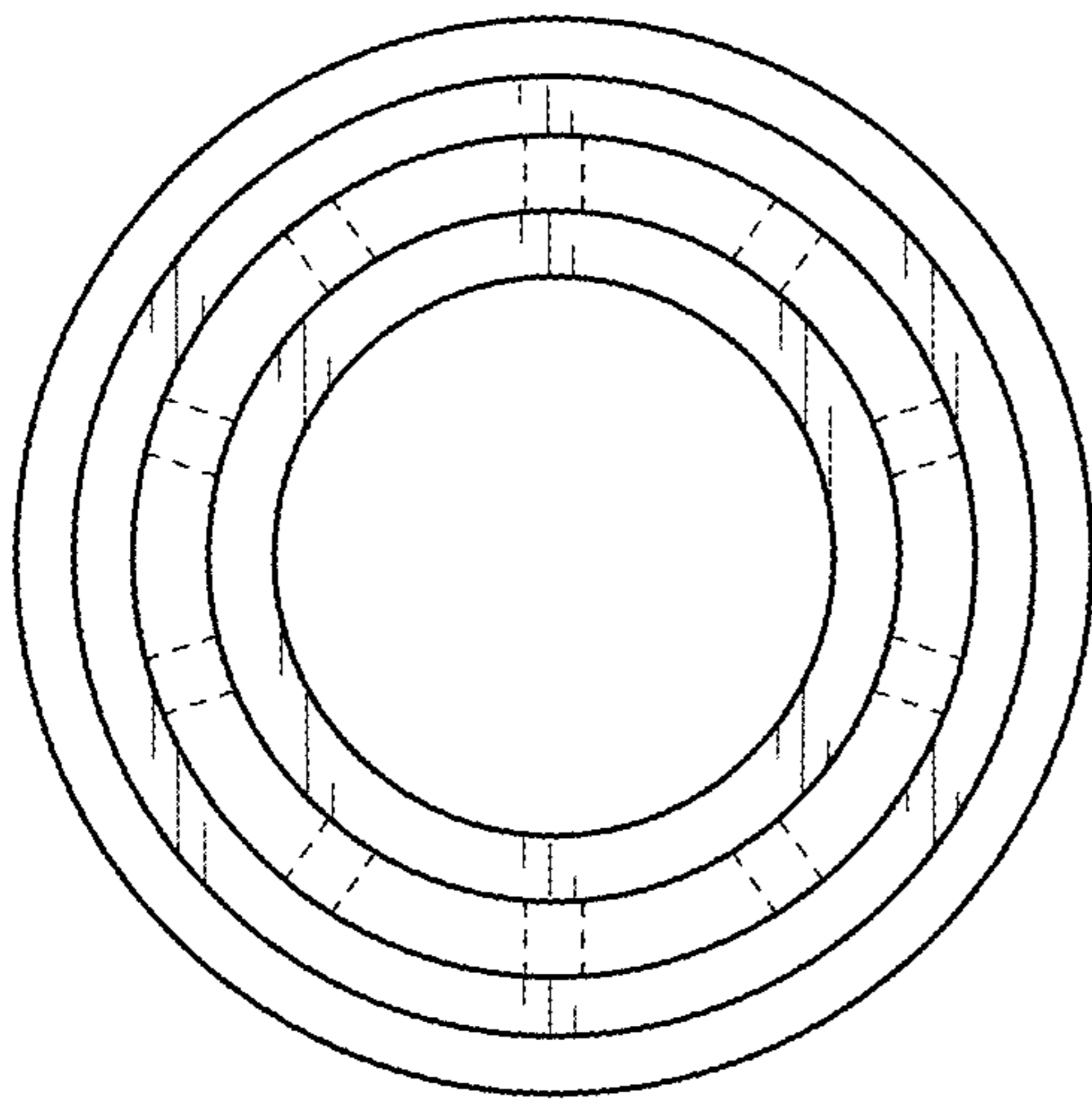


FIG. 6

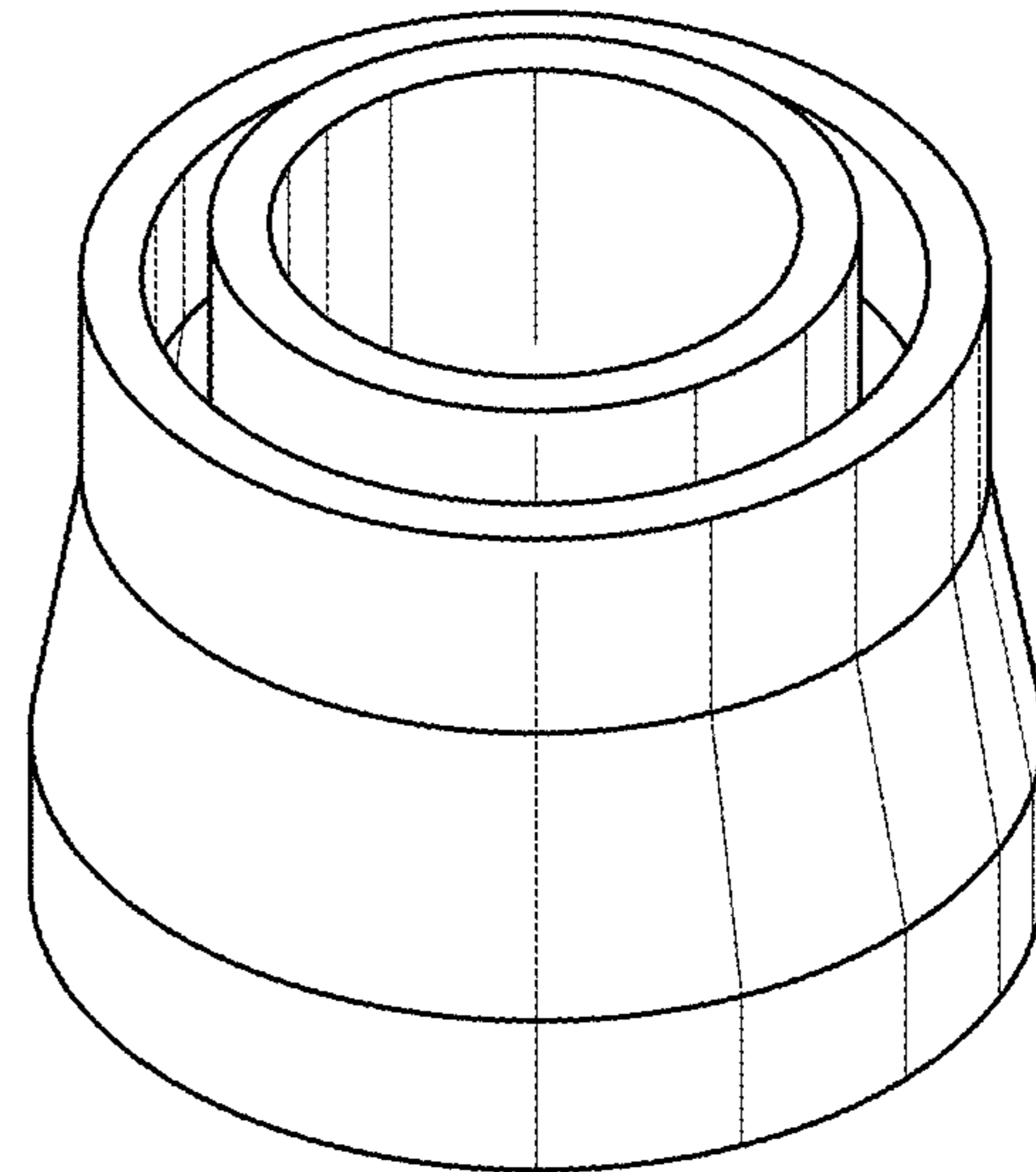


FIG. 5

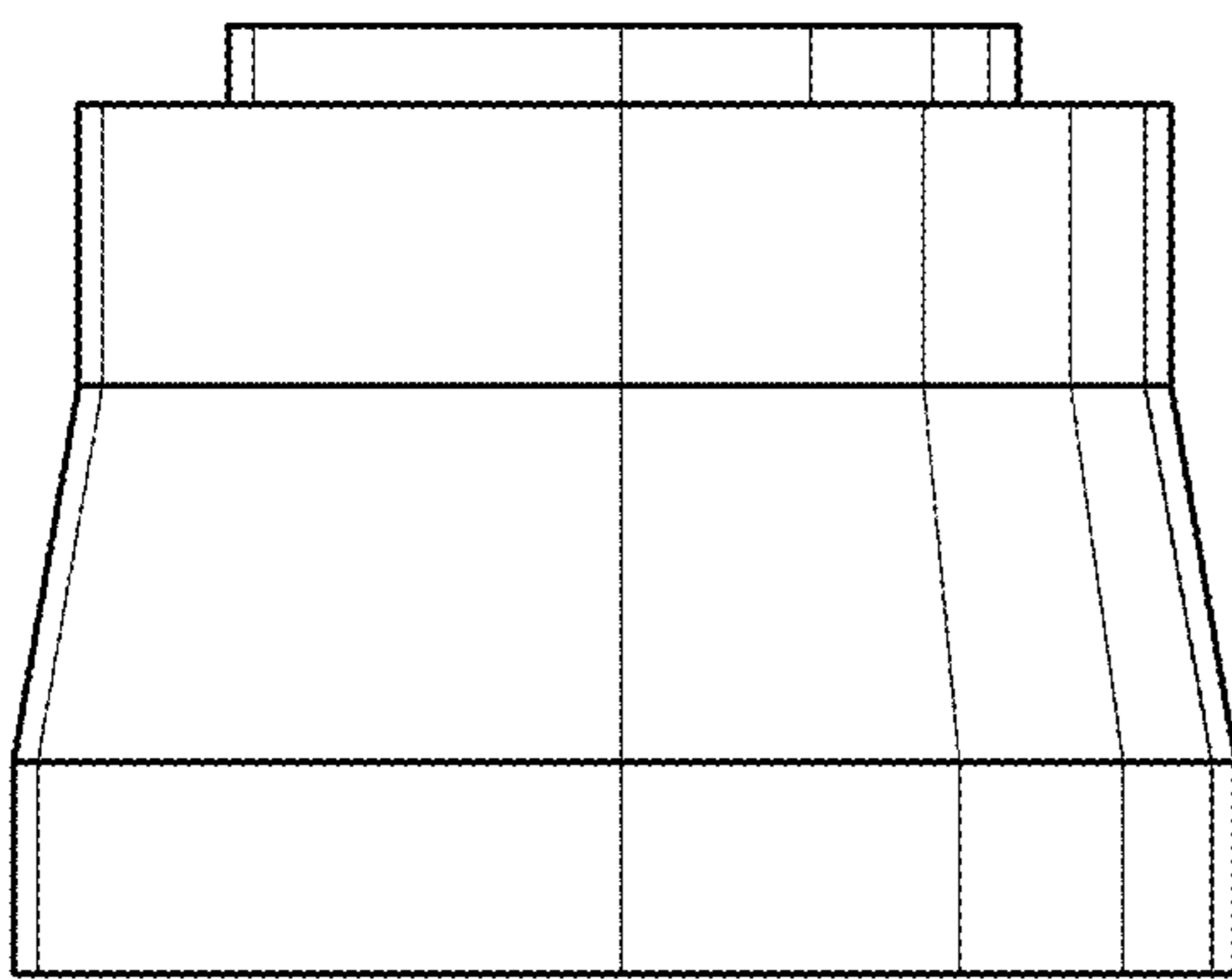


FIG. 8

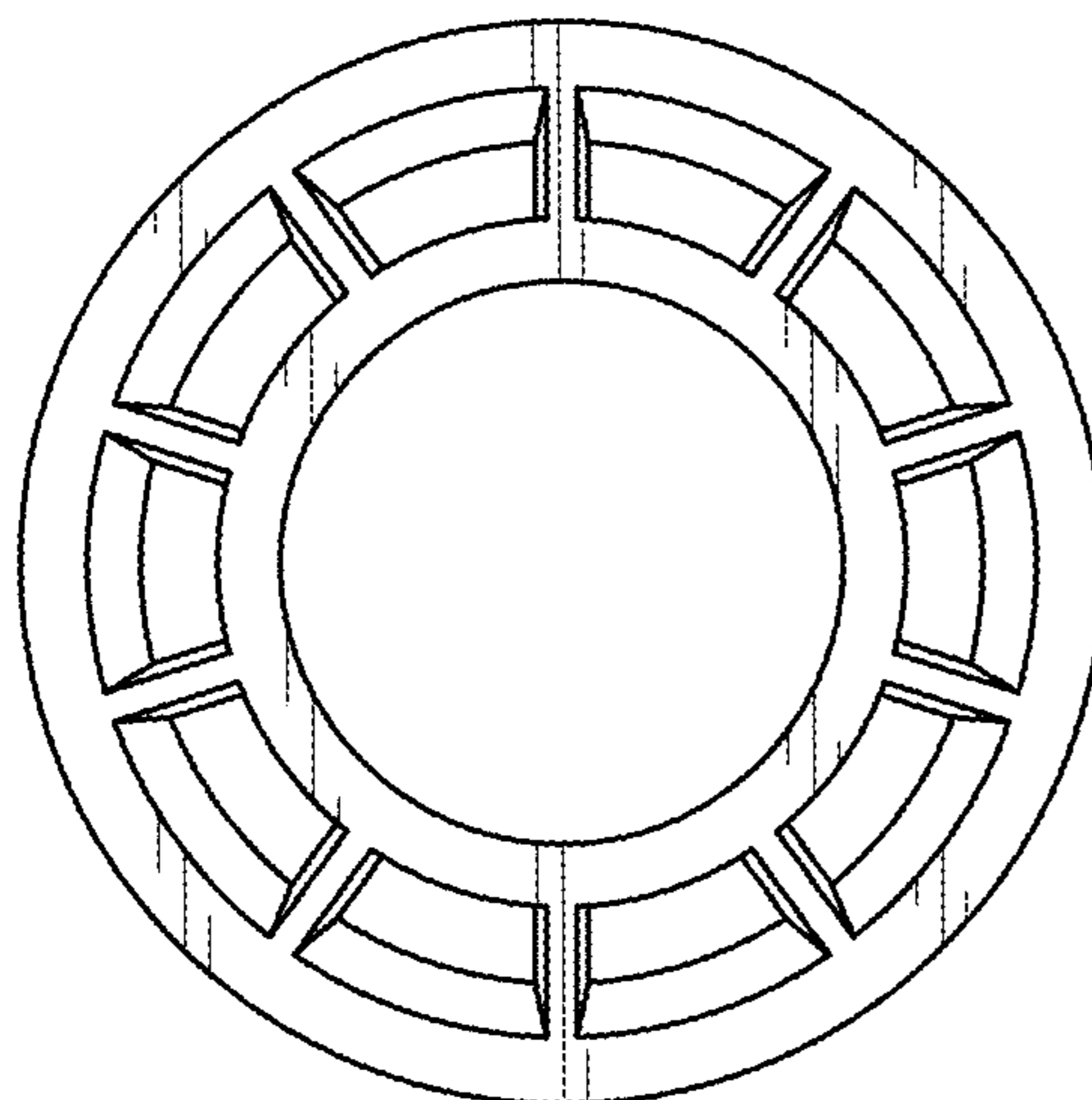


FIG. 7

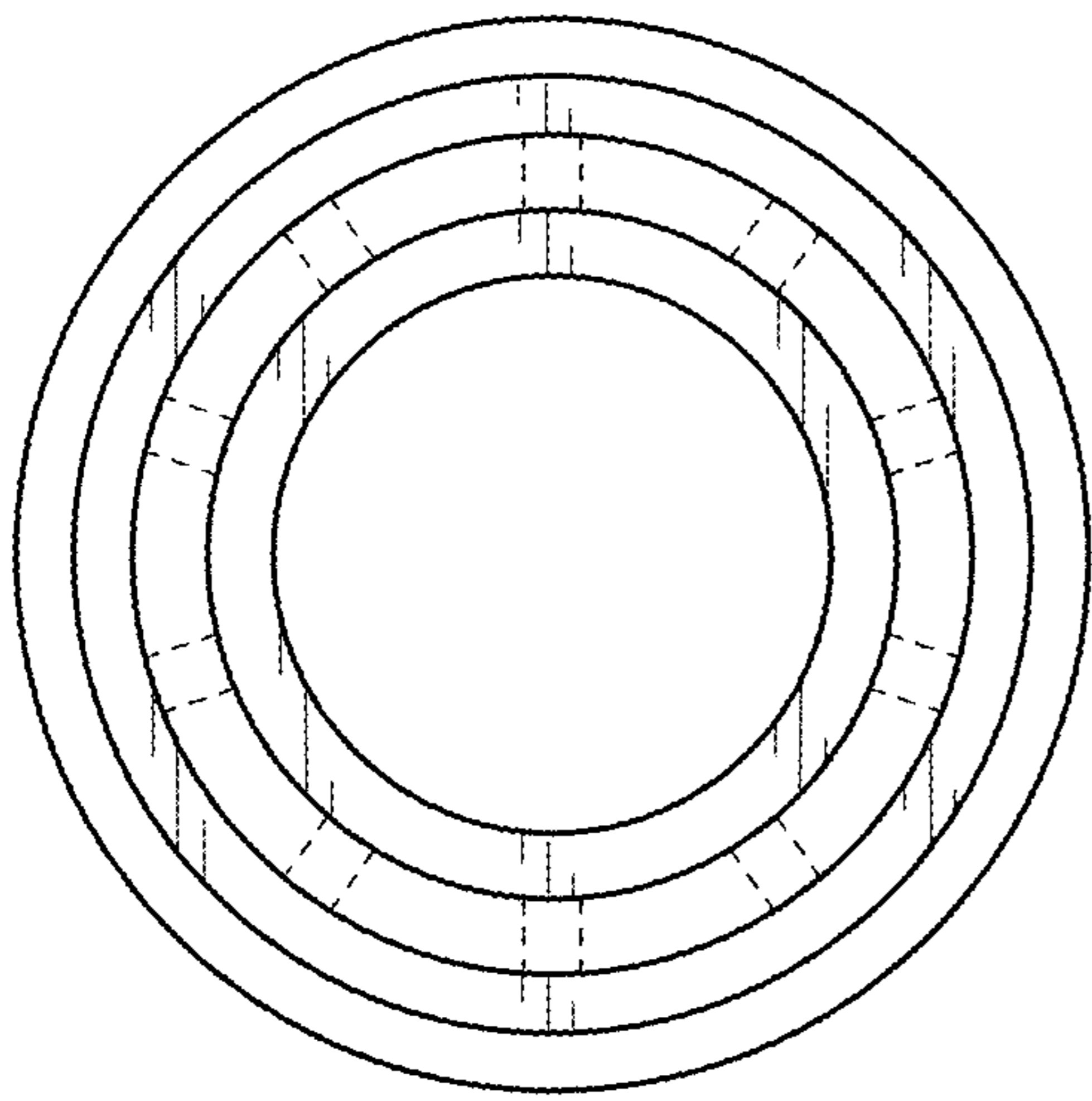


FIG. 10

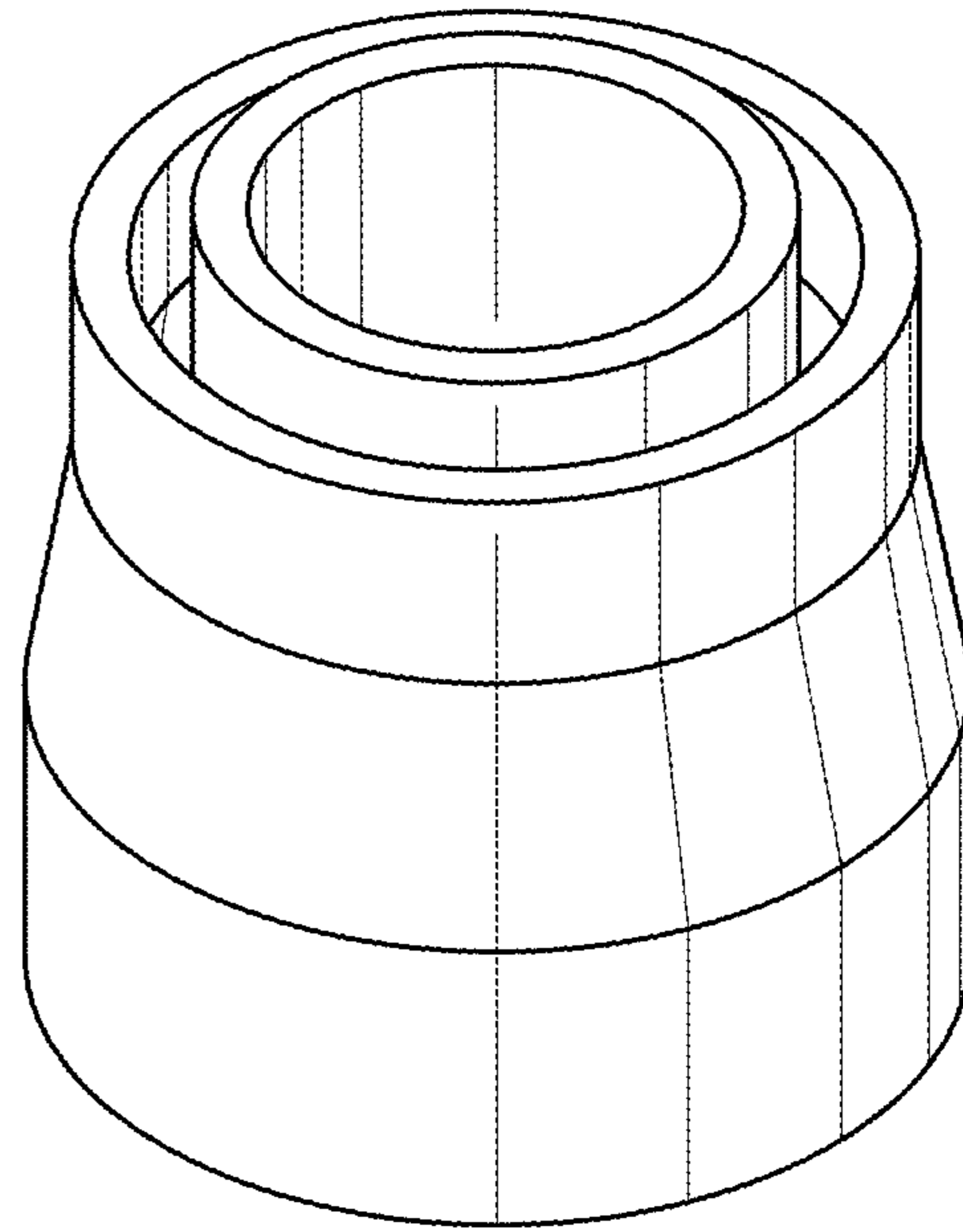


FIG. 9

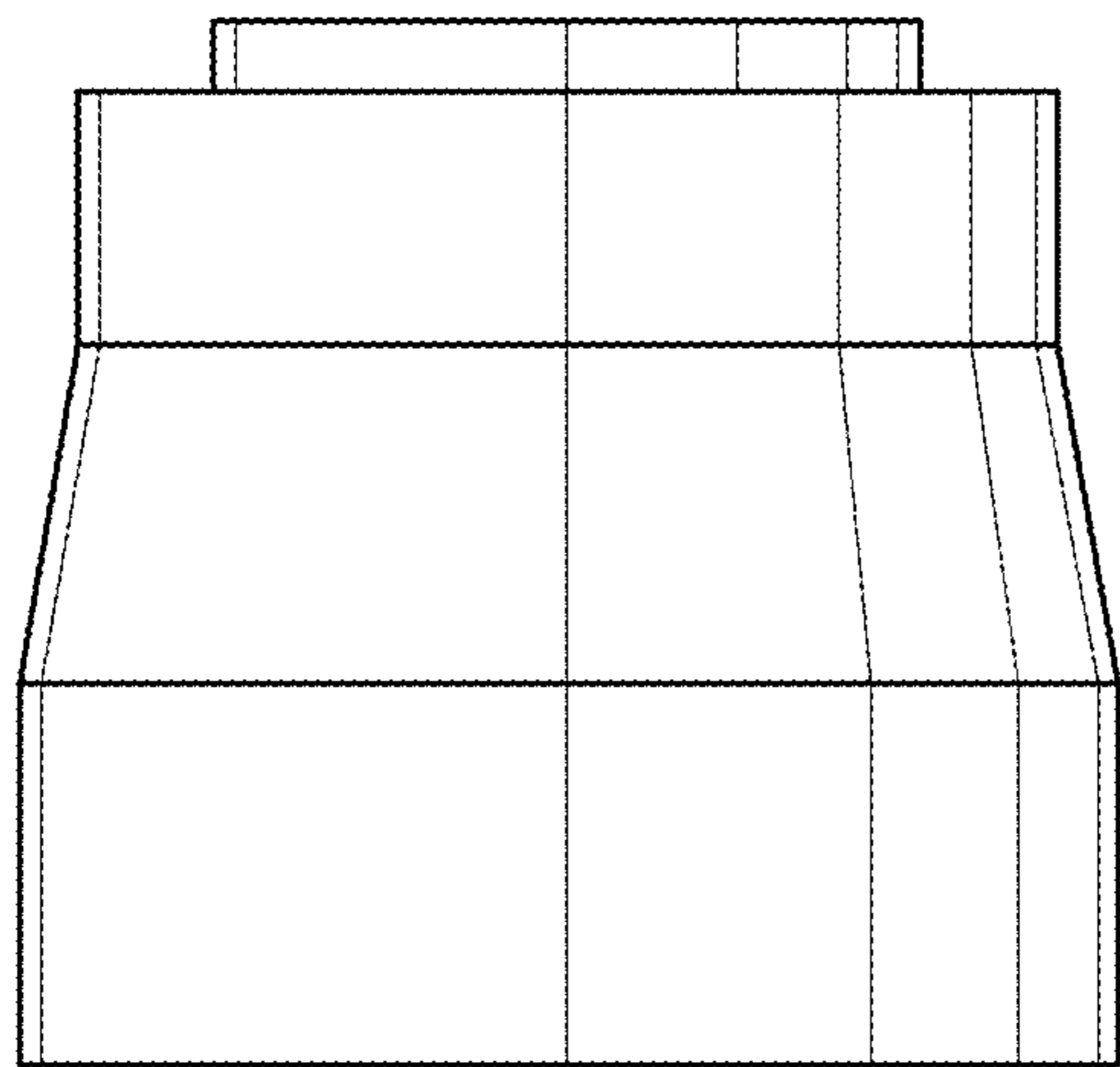


FIG. 12

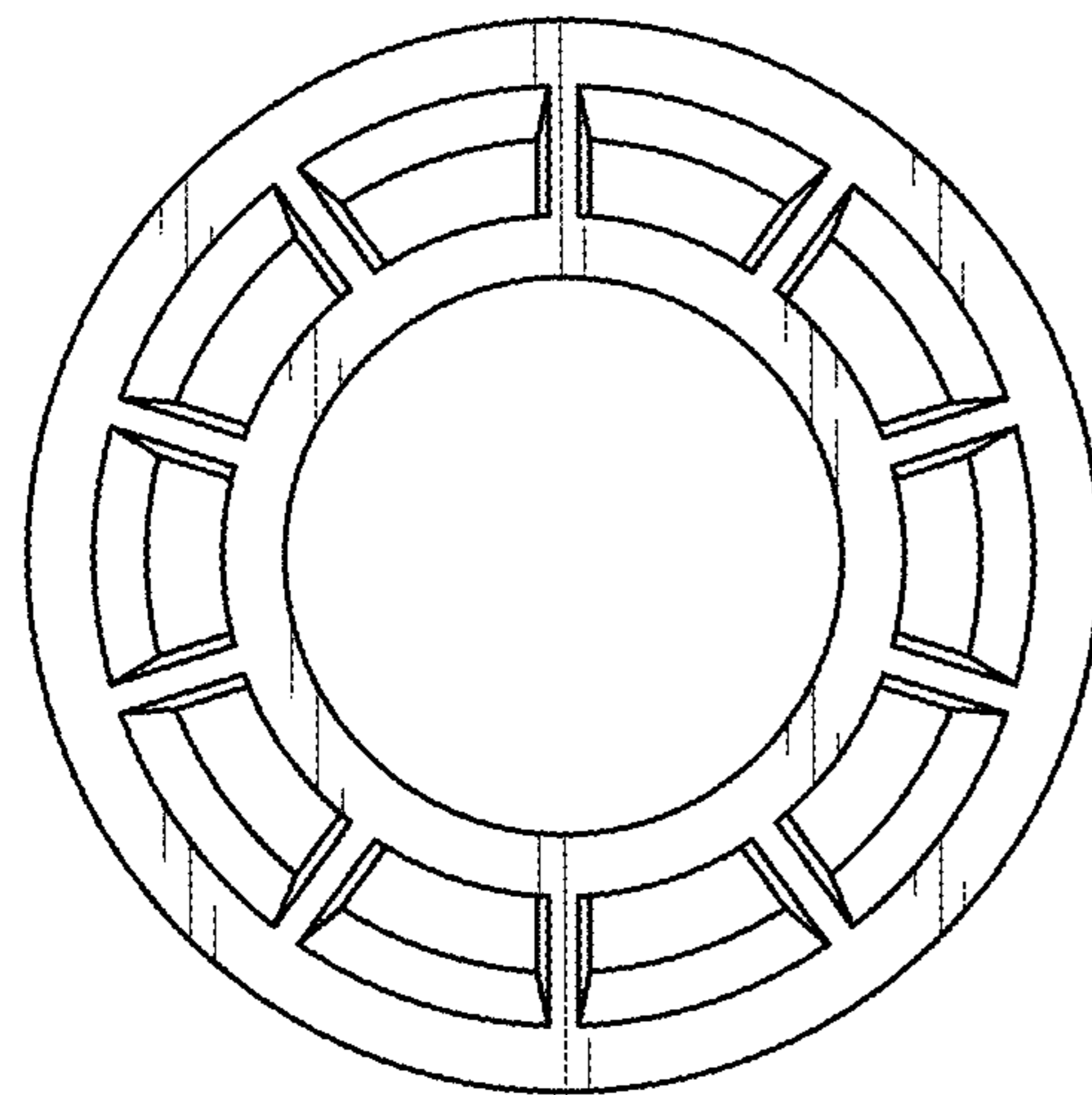


FIG. 11