



US00D964887S

(12) **United States Design Patent**  
**Lukashov**

(10) **Patent No.:** **US D964,887 S**

(45) **Date of Patent:** **\*\* Sep. 27, 2022**

(54) **DRONE AIRCRAFT**

(71) Applicant: **FIXAR-AERO, SIA**, Riga (LV)

(72) Inventor: **Vasilii Lukashov**, Saint Petersburg (RU)

(\*\*) Term: **15 Years**

(21) Appl. No.: **35/512,101**

(22) Filed: **Apr. 16, 2021**

(80) **Hague Agreement Data**

Int. Filing Date: **Apr. 16, 2021**

Int. Reg. No.: **DM/214949**

Int. Reg. Date: **Apr. 16, 2021**

Int. Reg. Pub. Date: **Jul. 2, 2021**

(51) **LOC (13) Cl.** ..... **12-07**

(52) **U.S. Cl.**  
USPC ..... **D12/16.1**

(58) **Field of Classification Search**  
USPC ..... D12/1, 16.1, 338, 339, 344; D21/436,  
D21/441, 442, 447, 450, 533

CPC ..... B64C 27/04; B64C 27/08; B64C 39/024;  
B64C 2201/024; B64C 2201/108; B64C  
2203/00

See application file for complete search history.

(56) **References Cited**

**U.S. PATENT DOCUMENTS**

D371,536 S \* 7/1996 Jones ..... D12/333  
D396,842 S \* 8/1998 Jones ..... D12/333

D760,638 S \* 7/2016 Beskar ..... D12/344  
D763,733 S \* 8/2016 Gattelli ..... D12/344  
9,898,033 B1 \* 2/2018 Long ..... G01D 5/145  
D832,154 S \* 10/2018 Tian ..... D12/161  
D876,988 S \* 3/2020 Stepura ..... D12/16.1  
D885,300 S \* 5/2020 Merrill ..... B64C 29/0025  
D12/326  
D952,514 S \* 5/2022 Tian ..... G01D 5/145  
D12/16.1  
2018/0290735 A1 \* 10/2018 Uptigrove ..... B64C 29/0025

**OTHER PUBLICATIONS**

Fixar\_global, Fixar Autopilot . . . , published on Instagram.com on Aug. 10, 2020. Retrieved from the internet Jun. 18, 2022 <URL: <https://www.instagram.com/p/CDsuOsegssl/>> (Year: 2020).\*

\* cited by examiner

*Primary Examiner* — Joseph Kukella

(57) **CLAIM**

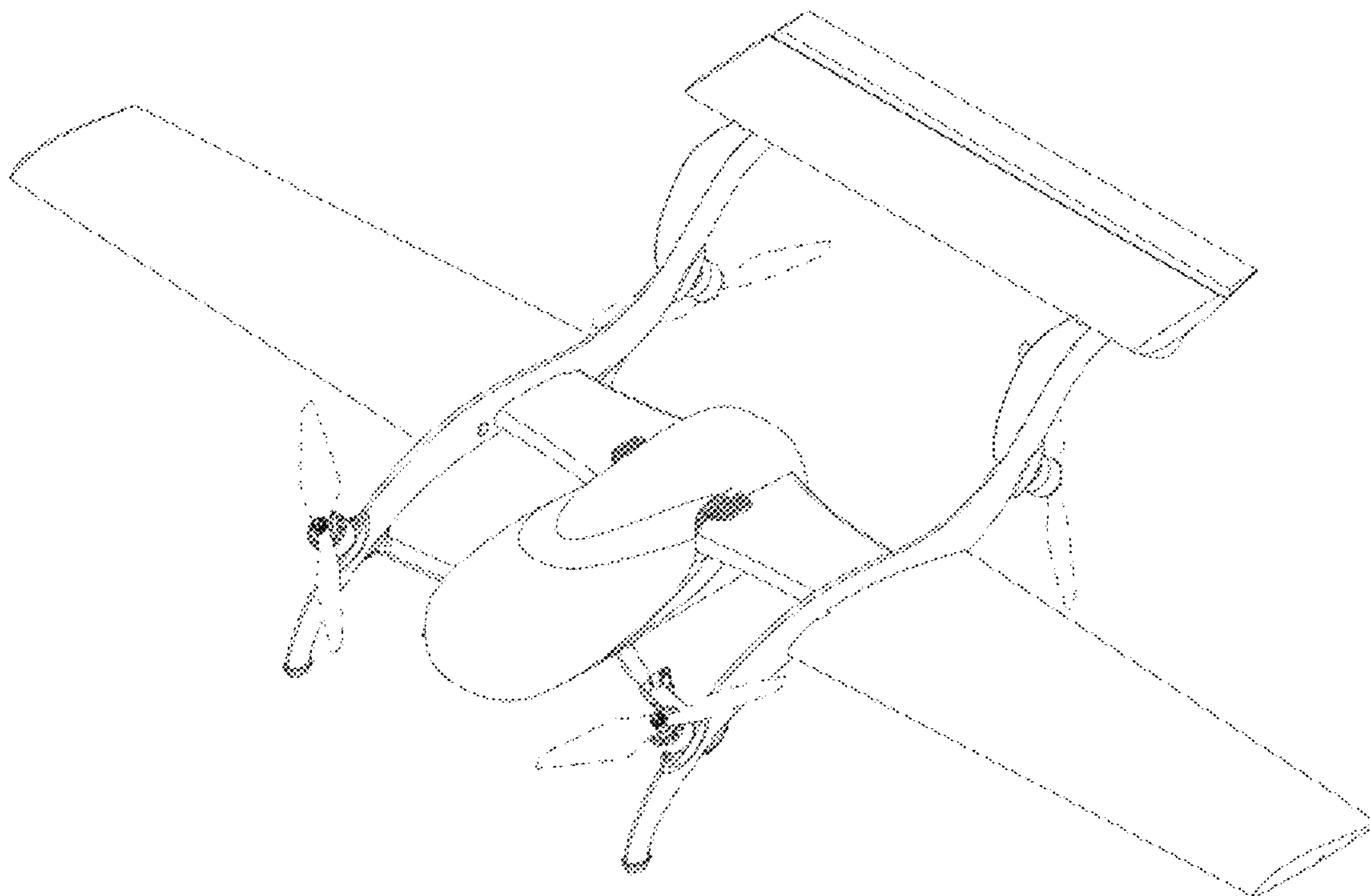
The ornamental design for a drone aircraft, as shown and described.

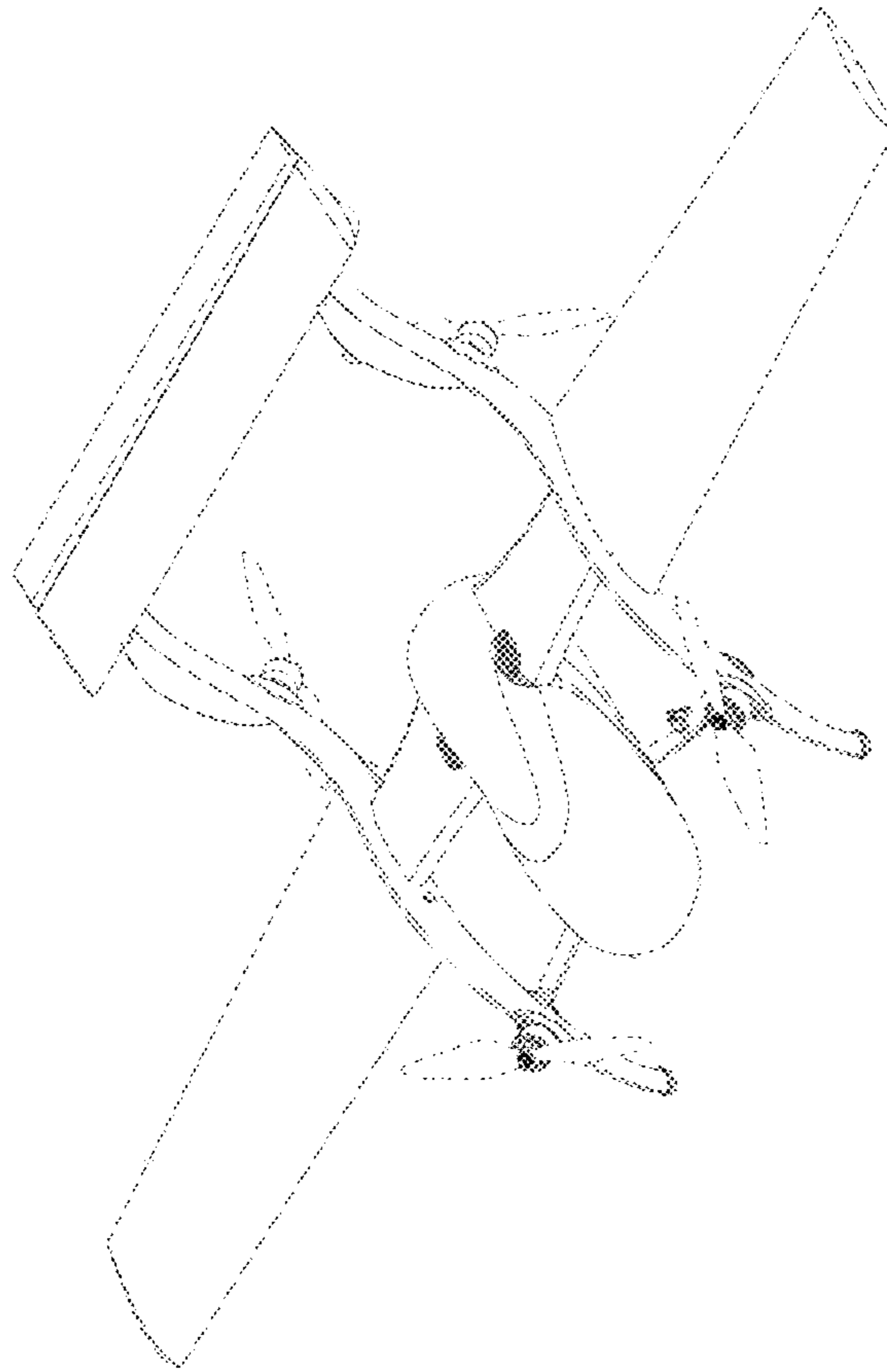
**DESCRIPTION**

- 1. Drone
- 1.1 : Perspective
- 1.2 : Bottom
- 1.3 : Left
- 1.4 : Front
- 1.5 : Top
- 1.6 : Back

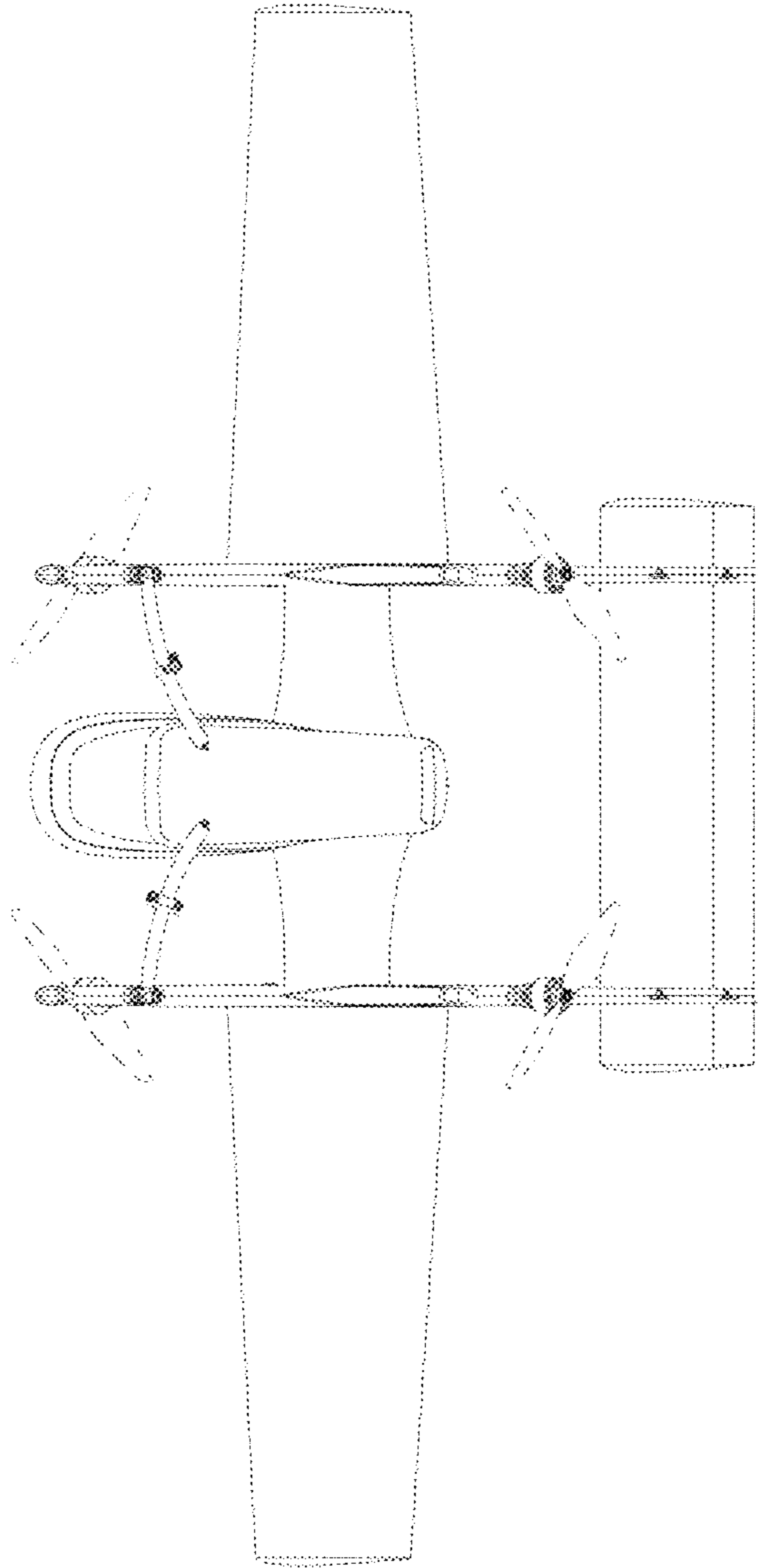
In the drawings, the broken lines depict environmental subject matter that forms no part of the claimed design.

**1 Claim, 6 Drawing Sheets**

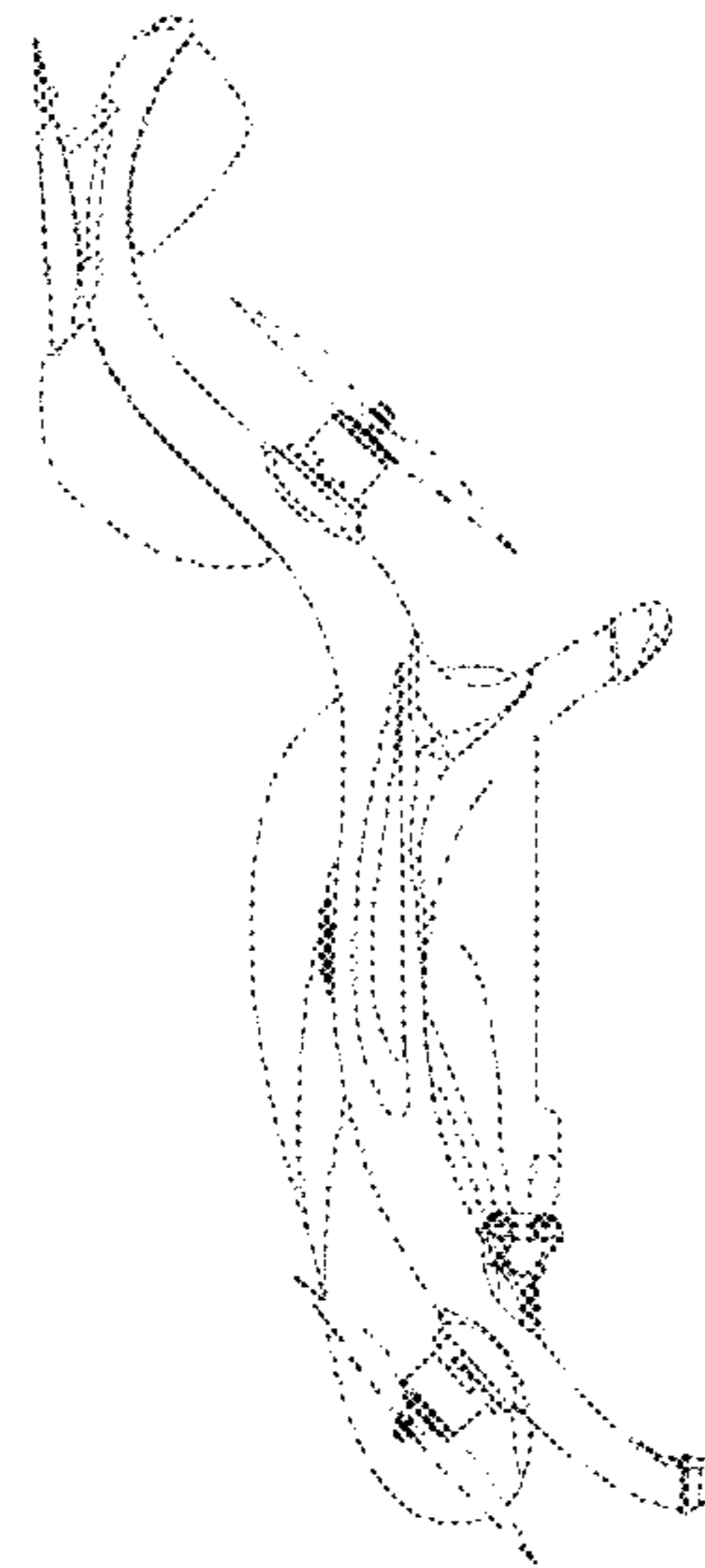




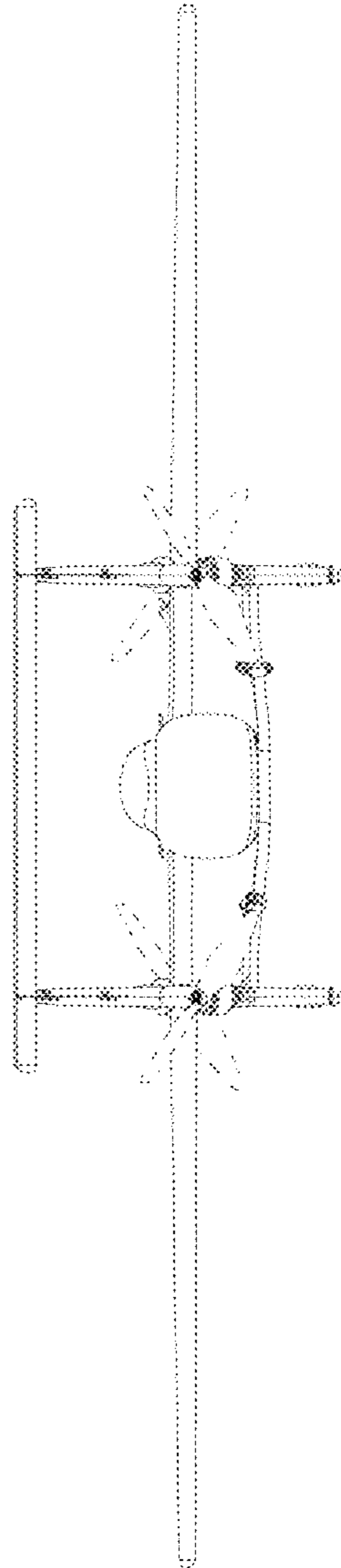
1.1



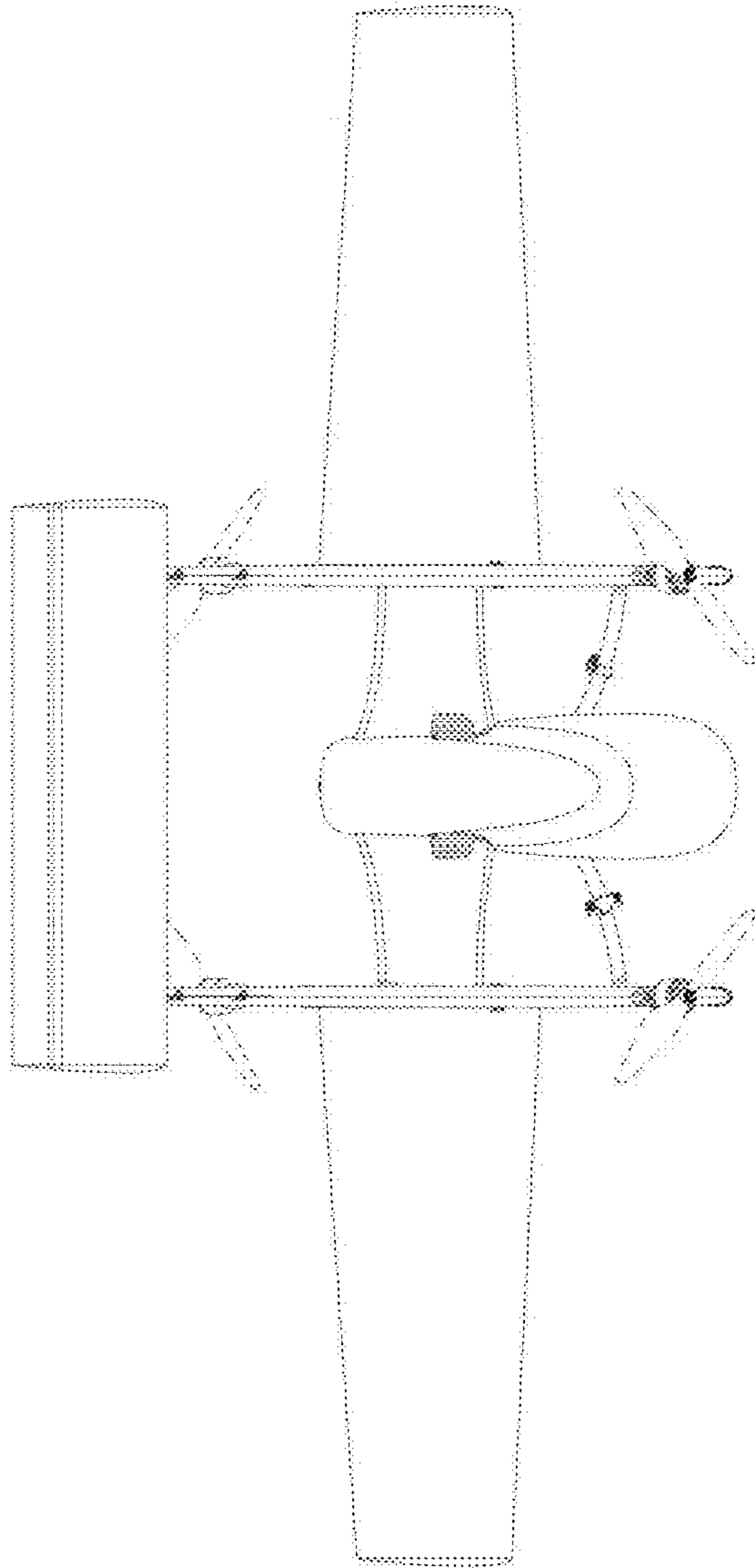
1.2



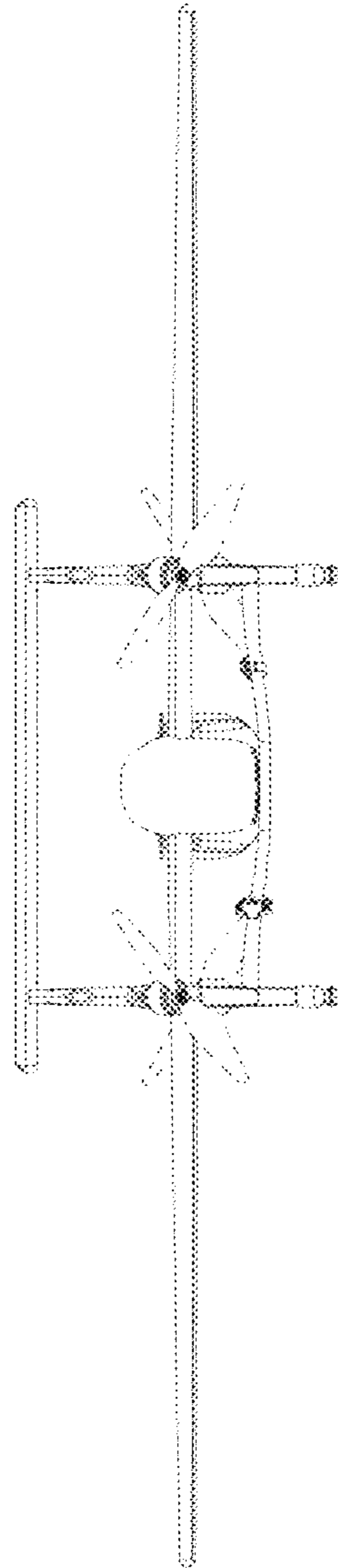
1.3



1.4



1.5



1.6