



US00D964885S

(12) **United States Design Patent**
Kolbie

(10) **Patent No.:** **US D964,885 S**

(45) **Date of Patent:** **** Sep. 27, 2022**

(54) **FIXED PRONG BUCKLE**

(71) Applicant: **Luke Godfrey Kolbie**, Dublin, GA
(US)

(72) Inventor: **Luke Godfrey Kolbie**, Dublin, GA
(US)

(**) Term: **15 Years**

(21) Appl. No.: **29/687,370**

(22) Filed: **Apr. 12, 2019**

(51) **LOC (13) Cl.** **02-07**

(52) **U.S. Cl.**

USPC **D11/231**; D11/218

(58) **Field of Classification Search**

USPC ... D11/30, 95-100, 101, 105-110, 116, 132,
D11/222, 223, 226, 228, 230, 231, 232,
D11/233, 237, 238; D14/485, 486;
D2/883, 884; D8/387

CPC .. A44C 7/00; A44C 7/002; A44B 1/14; A44B
1/02; A44B 1/20; A44B 1/00

See application file for complete search history.

(56) **References Cited**

U.S. PATENT DOCUMENTS

D536,281 S * 2/2007 Mouquet D11/234
D556,081 S * 11/2007 Mouquet D11/87

D613,938 S * 4/2010 Alexander D2/976
D619,928 S * 7/2010 Bodino D11/231
D637,519 S * 5/2011 Coffman D11/234
9,345,288 B1 * 5/2016 Greenberg A44B 11/005
D817,225 S * 5/2018 Ressler D11/218
D830,227 S * 10/2018 Mouquet D11/231
D849,587 S * 5/2019 Li D11/79
D856,190 S * 8/2019 Dumas D11/231

* cited by examiner

Primary Examiner — John A Voytek

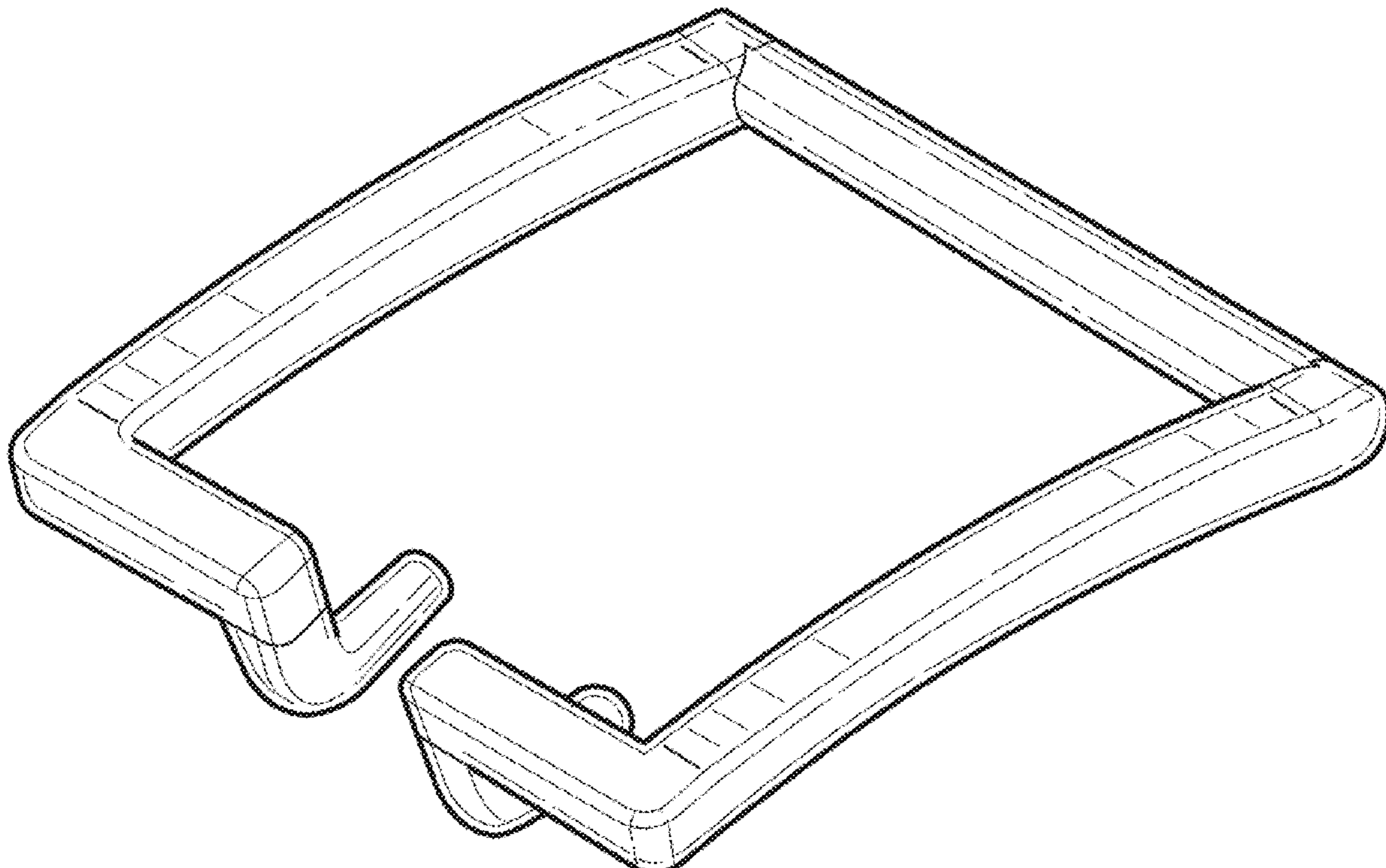
(57) **CLAIM**

The ornamental design for a fixed prong buckle, as shown and described.

DESCRIPTION

FIG. 1 is a top elevation view of the fixed prong buckle; FIG. 2 is a bottom elevation view thereof; FIG. 3 is a front isometric view thereof; FIG. 4 is a front view thereof; and, FIG. 5 is a left side profile view, of which the opposite side is a mirror image.

1 Claim, 2 Drawing Sheets



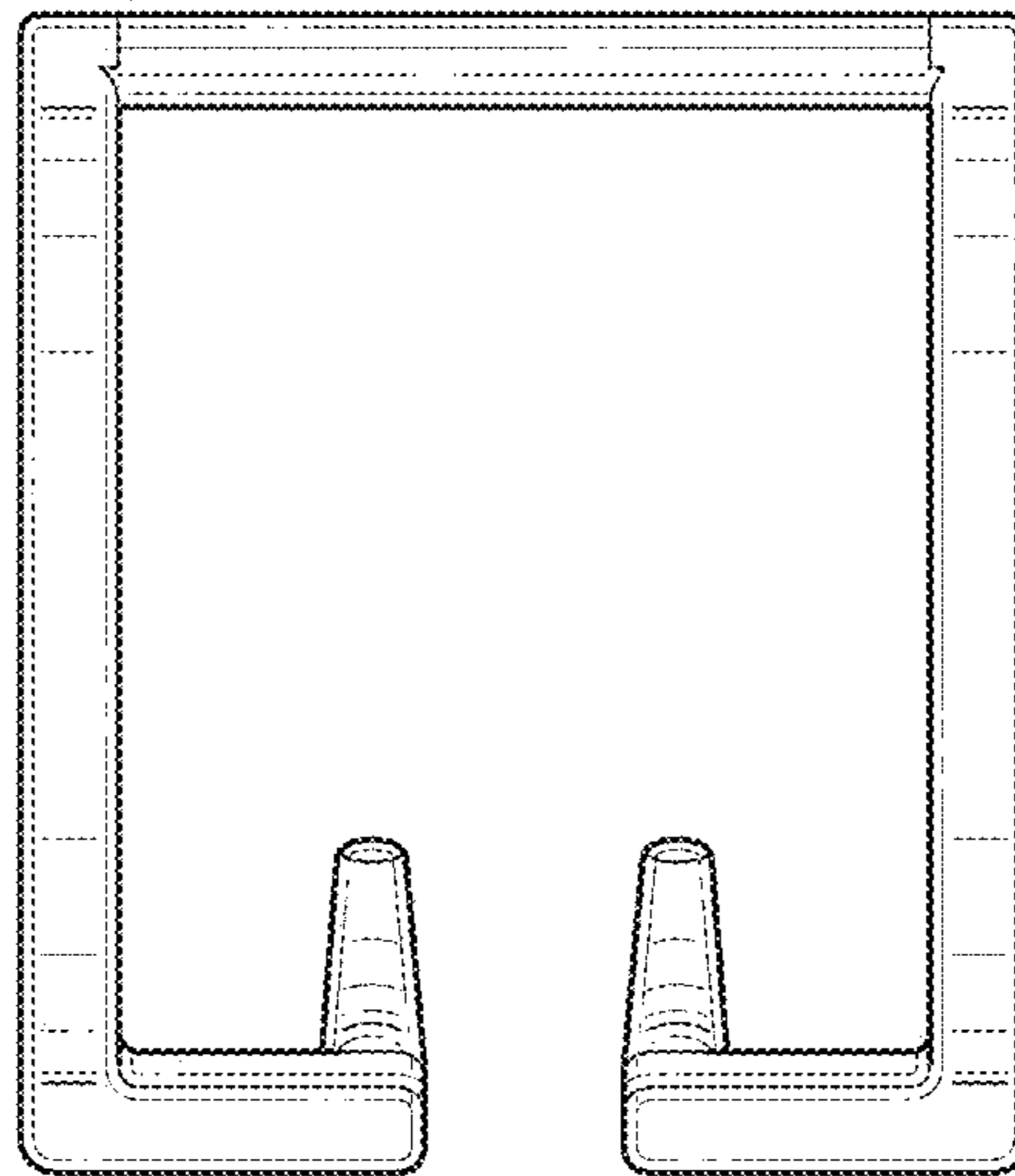


FIG. 1

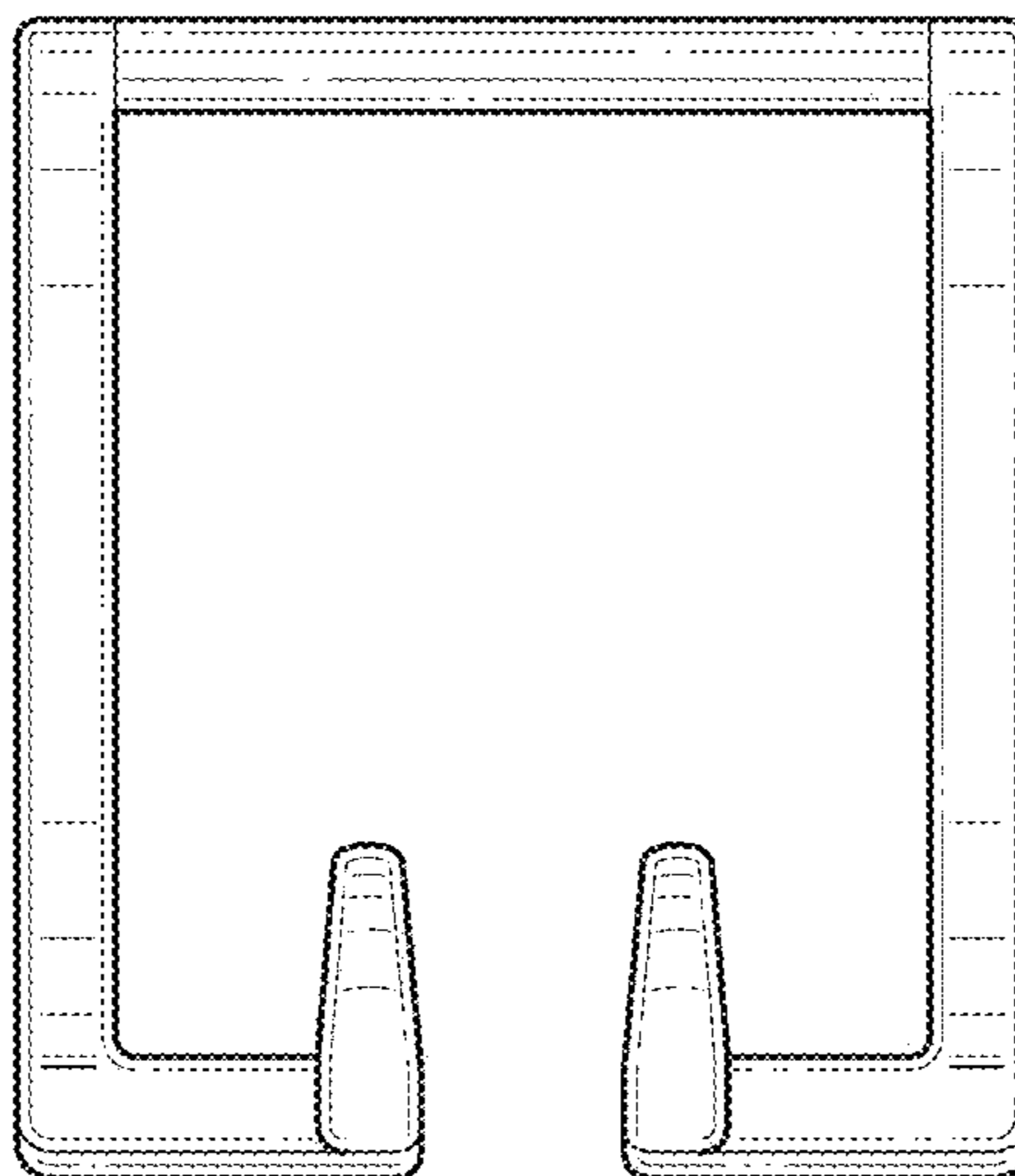


FIG. 2

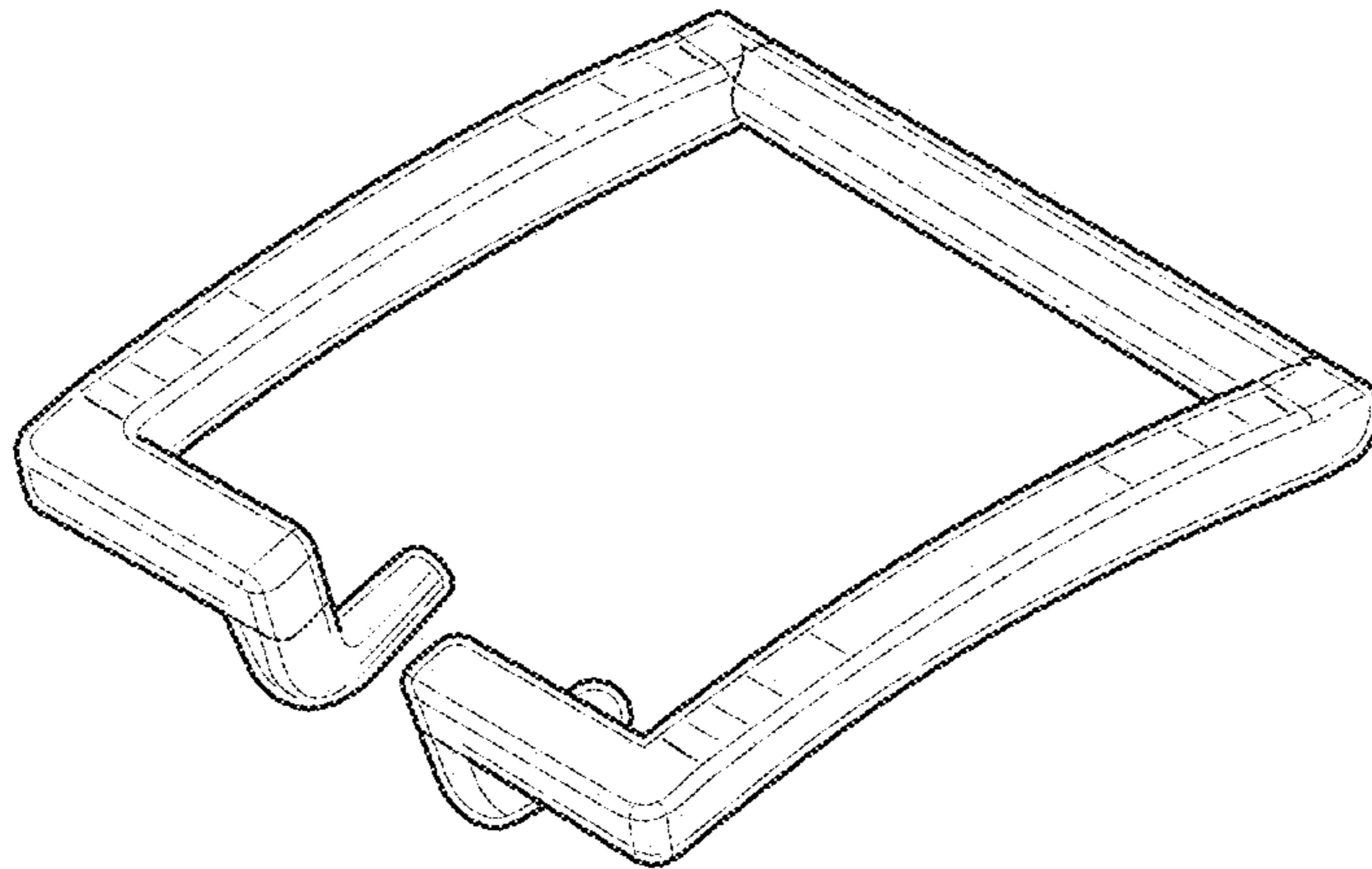


FIG. 3

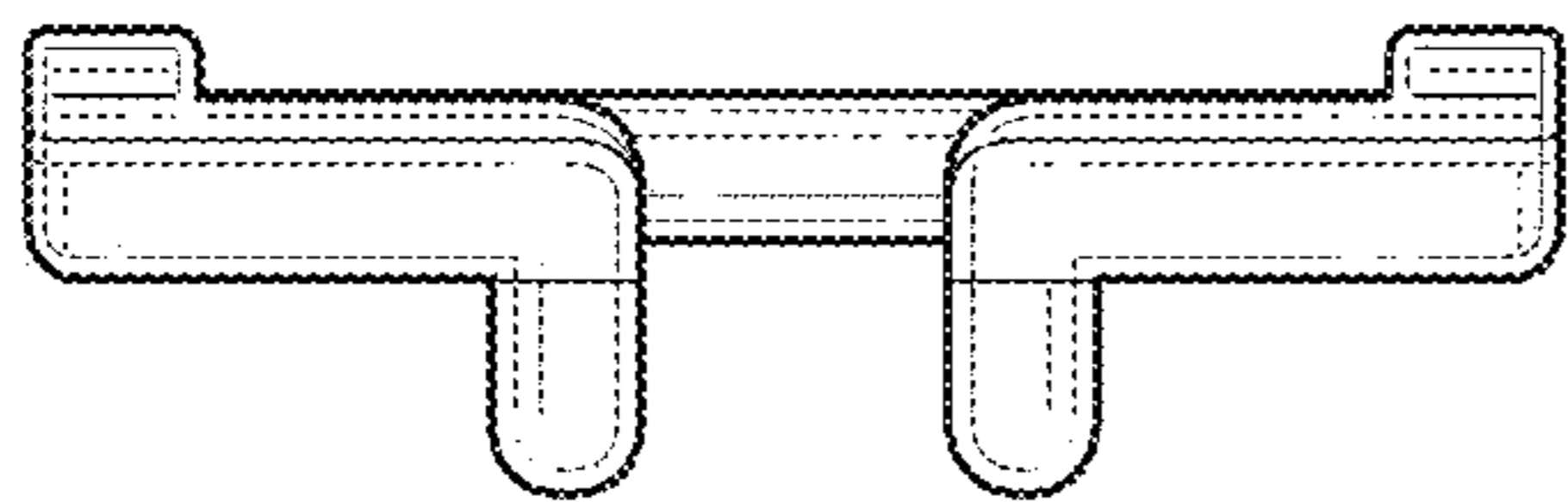


FIG. 4

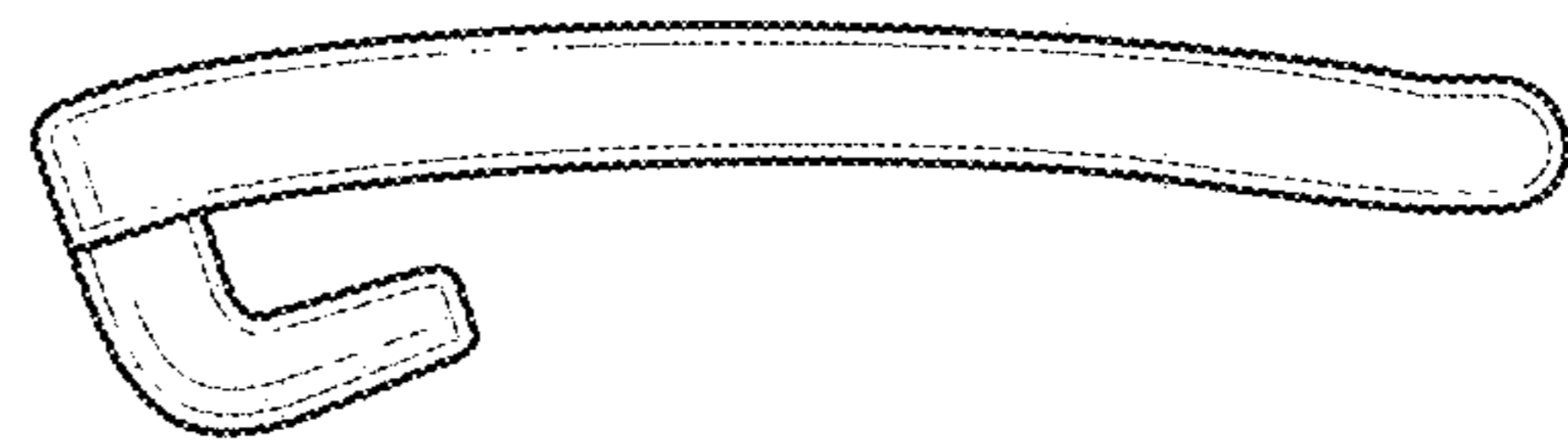


FIG. 5